



US00D715403S

(12) **United States Design Patent**
Ames et al.

(10) **Patent No.:** **US D715,403 S**
(45) **Date of Patent:** **** Oct. 14, 2014**

(54) **FLUID CYLINDER VALVE ASSEMBLY**

(71) Applicants: **Greg Churchill Ames**, Worthington, OH (US); **James M. Getter**, Sunbury, OH (US); **Christopher Carl Hall**, Dublin, OH (US); **Charles T. Hayes**, Columbus, OH (US); **Michael Thomas Kopczewski**, Orient, OH (US); **Thomas L. Lease**, Westerville, OH (US); **Sean Aaron Murray**, Powell, OH (US); **Jay F. Perkins**, Pickerington, OH (US); **Adam M. Ruggles**, Columbus, OH (US); **Rainer Bernhard Teufel**, Worthington, OH (US); **Joel D. VanGilder**, Columbus, OH (US); **Igor Ivanovich Zemskov**, Columbus, OH (US)

(72) Inventors: **Greg Churchill Ames**, Worthington, OH (US); **James M. Getter**, Sunbury, OH (US); **Christopher Carl Hall**, Dublin, OH (US); **Charles T. Hayes**, Columbus, OH (US); **Michael Thomas Kopczewski**, Orient, OH (US); **Thomas L. Lease**, Westerville, OH (US); **Sean Aaron Murray**, Powell, OH (US); **Jay F. Perkins**, Pickerington, OH (US); **Adam M. Ruggles**, Columbus, OH (US); **Rainer Bernhard Teufel**, Worthington, OH (US); **Joel D. VanGilder**, Columbus, OH (US); **Igor Ivanovich Zemskov**, Columbus, OH (US)

(73) Assignee: **Worthington Cylinders Corporation**, Worthington, OH (US)

(**) Term: **14 Years**

(21) Appl. No.: **29/449,420**

(22) Filed: **Mar. 15, 2013**

(51) **LOC (10) Cl.** **23-01**

(52) **U.S. Cl.**
USPC **D23/233**

(58) **Field of Classification Search**

USPC D23/233–237, 244–249; 137/1, 266, 137/606, 263, 602, 625.13, 625.47; 251/129.03
See application file for complete search history.

(56) **References Cited**

U.S. PATENT DOCUMENTS

2,389,667	A *	11/1945	Hudson	222/6
2,641,273	A *	6/1953	Siebens	137/113
5,097,840	A *	3/1992	Wallace et al.	600/485
8,371,334	B2 *	2/2013	Ozawa et al.	137/625.47
D685,059	S *	6/2013	Wing	D23/233
2006/0169337	A1 *	8/2006	Lopez	137/625.47
2011/0290335	A1 *	12/2011	Foster	137/15.04
2013/0074937	A1 *	3/2013	Wing	137/1

OTHER PUBLICATIONS

Safetygram #6 Liquid Oxygen, 900-06-US REV 5/09, 2009, Air Products and Chemicals, Inc. Allentown, PA.
Cryogenic Liquid Cylinder Operating Manual 180 HP-200 HP-240HP-265HP, undated, Cyl-Tec Inc., Aurora, IL.
Dura-Cyl Permium Liquid Cylinders—Footring, P/N 14338395, 2009, Chart Inc., Garfield Heights, OH.
Instructions for XL-160 and XL-180, TW-72, undated, Taylor-Wharton, Theodore, AL.

* cited by examiner

Primary Examiner — Cynthia Ramirez

(74) *Attorney, Agent, or Firm* — Porter, Wright, Morris & Arthur, LLP

(57) **CLAIM**

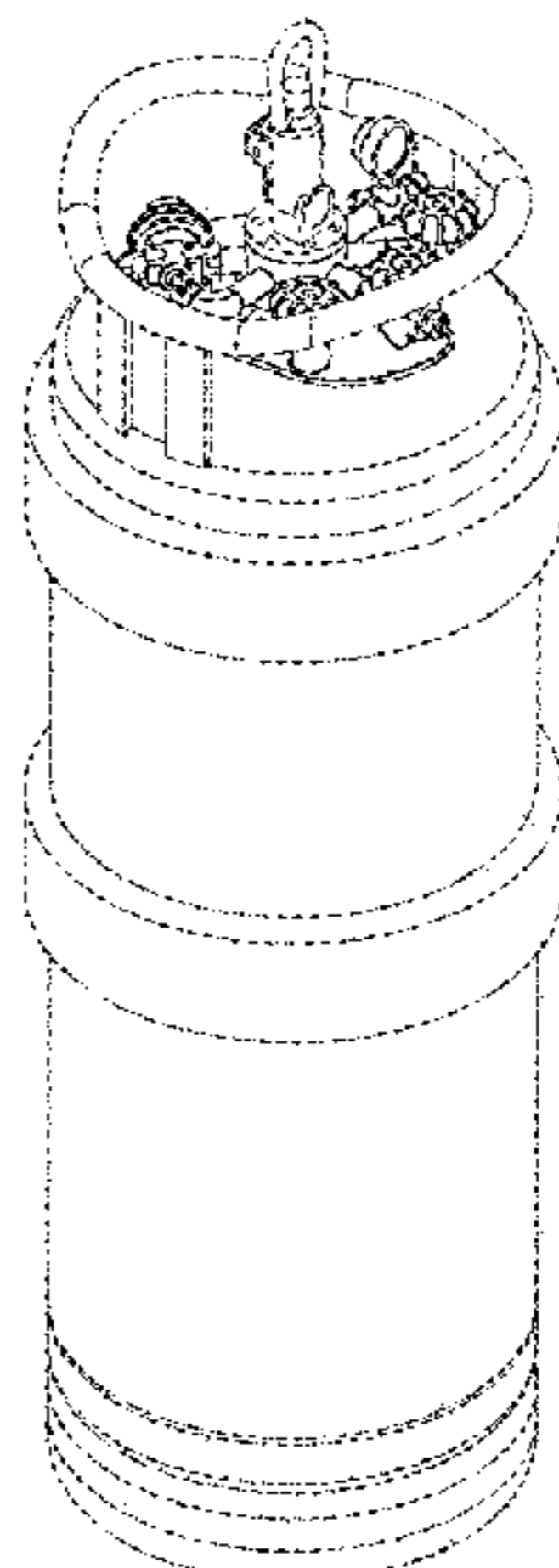
The ornamental design for a fluid cylinder valve assembly, as shown and described.

DESCRIPTION

FIG. 1 is a front perspective view of a fluid cylinder valve assembly according to our new design; FIG. 2 is a front view thereof; FIG. 3 is a rear view thereof; FIG. 4 is a right side view thereof; FIG. 5 is a left side view thereof; and, FIG. 6 is a top view thereof.

The broken lines in the figures indicate environment and form a part of the claimed design.

1 Claim, 3 Drawing Sheets



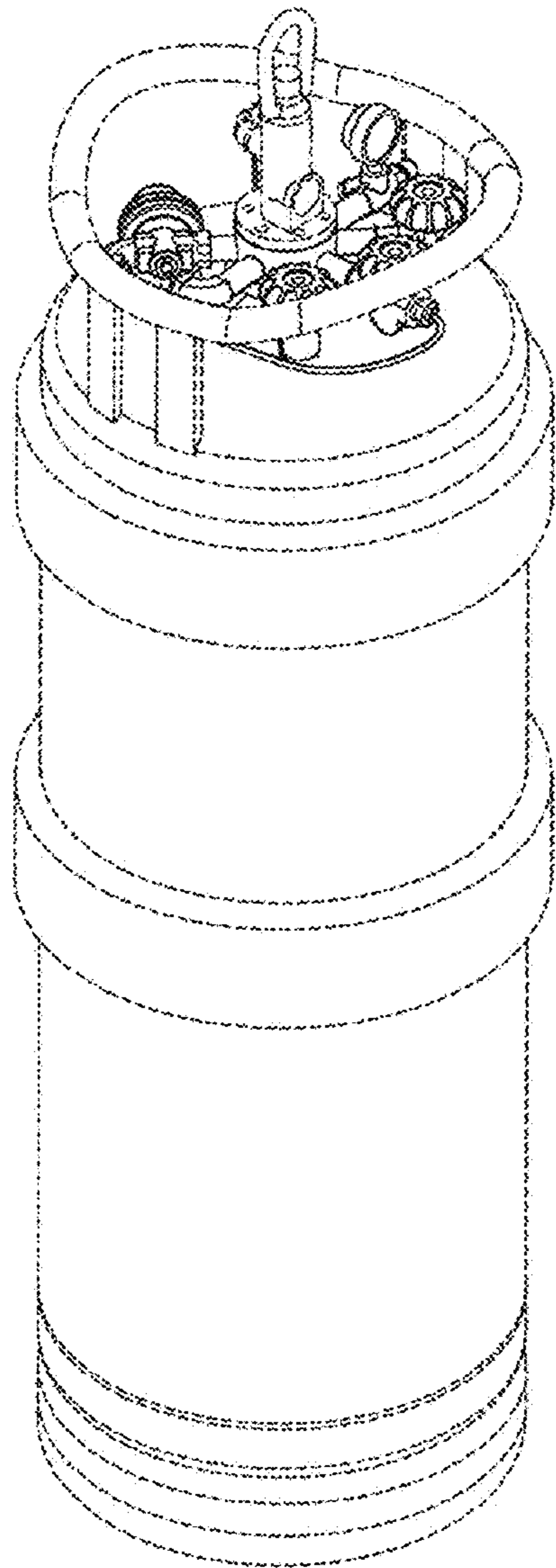


FIG. 1

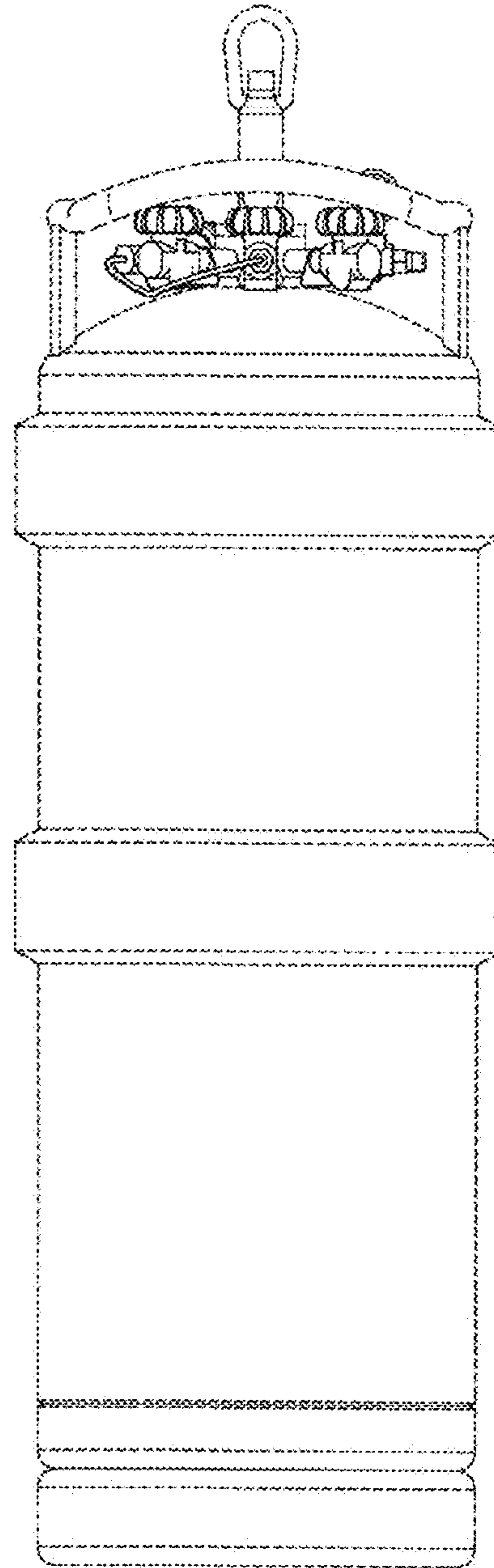


FIG. 2

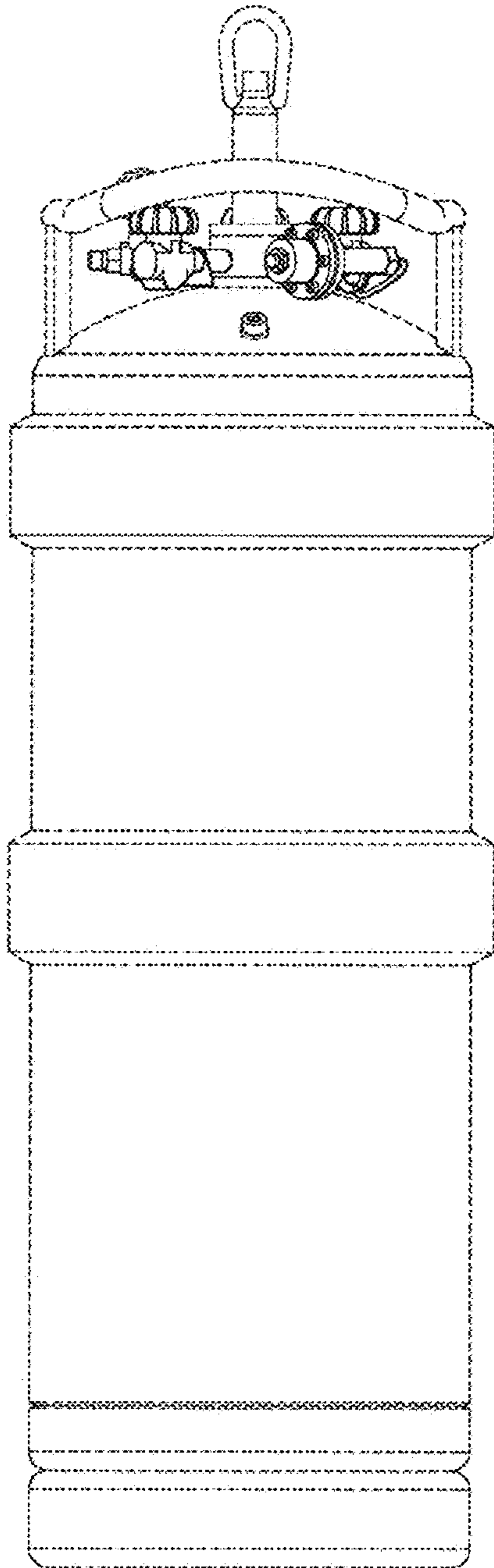


FIG. 3

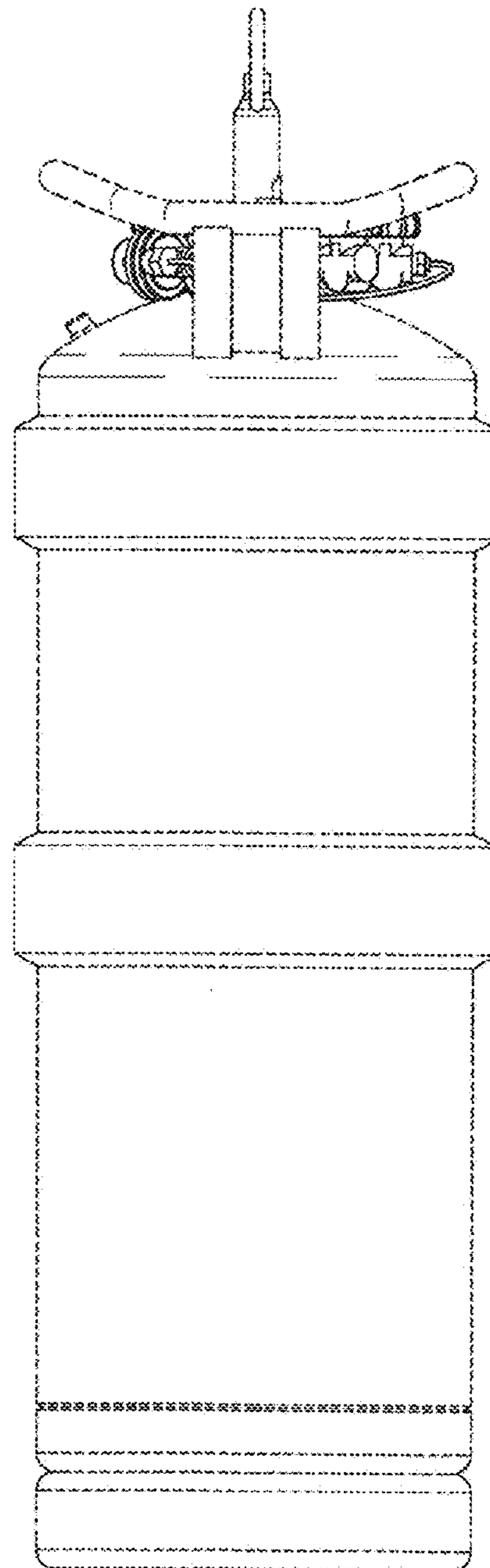


FIG. 4

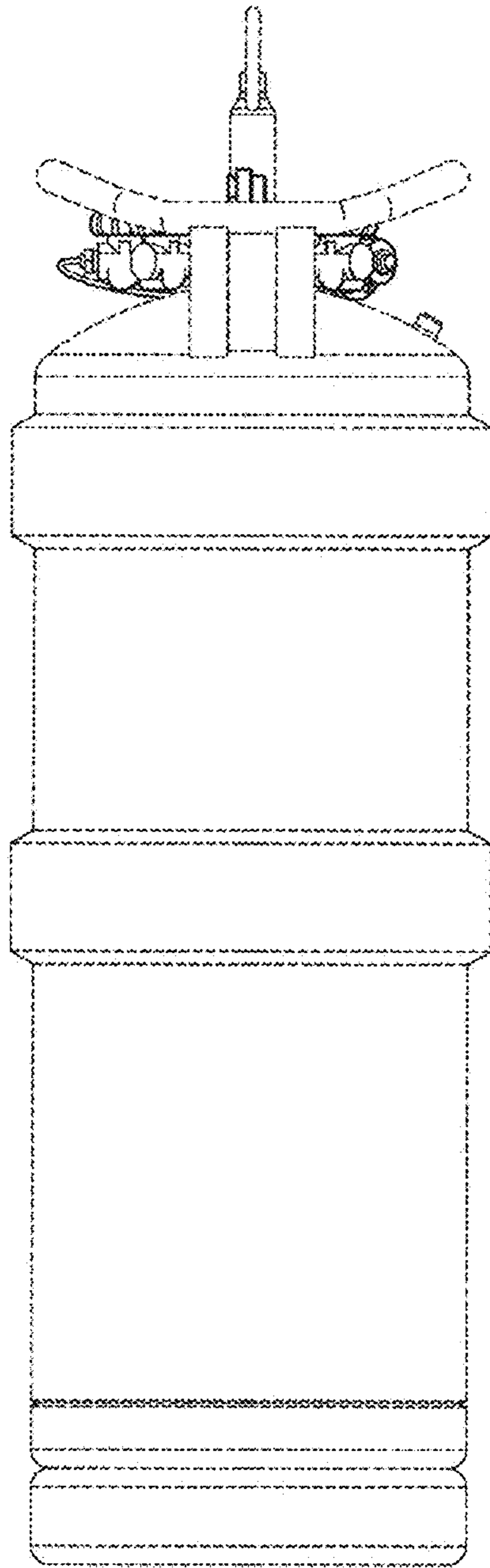


FIG. 5

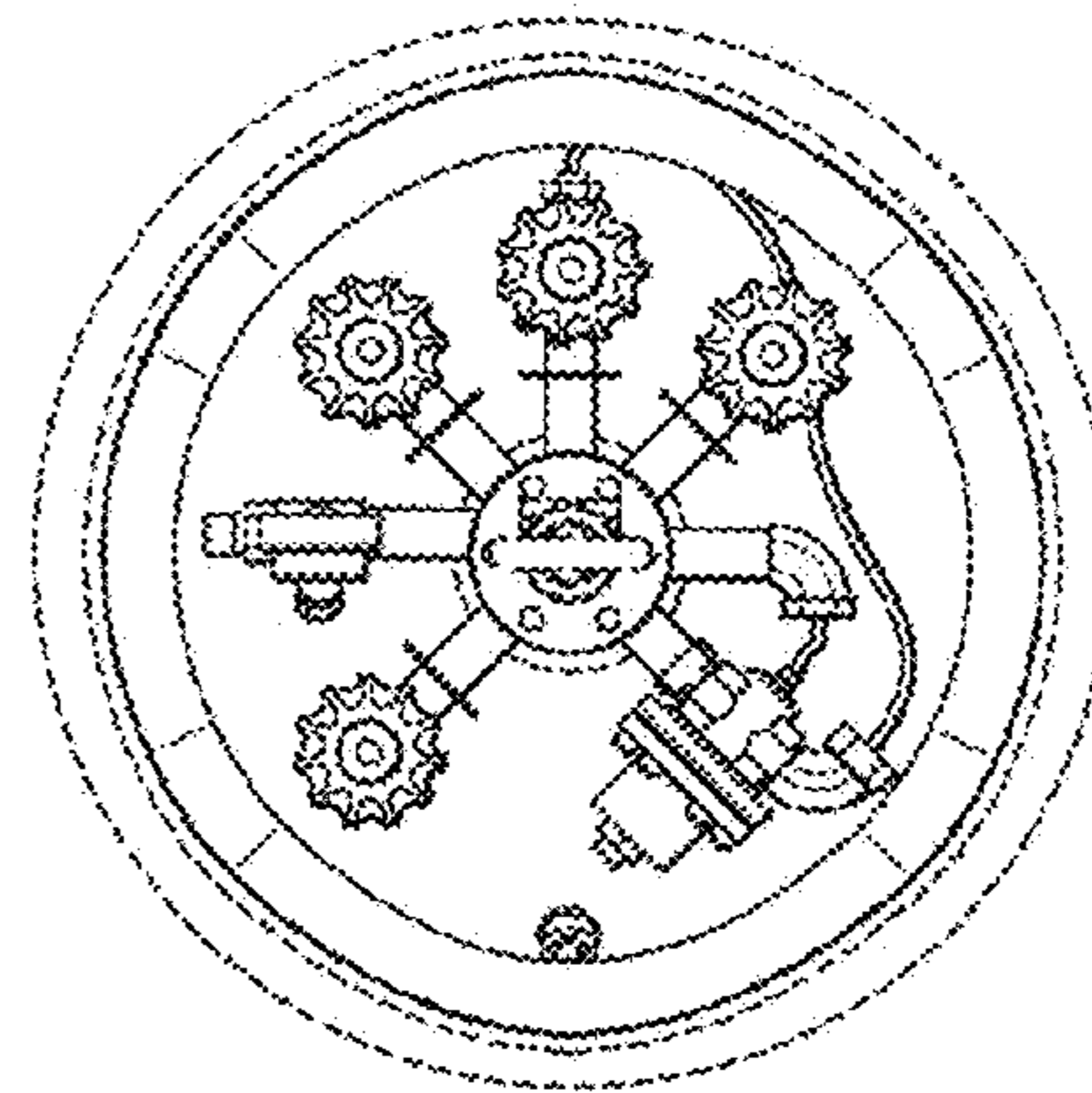


FIG. 6