



US00D715393S

(12) **United States Design Patent**
Williams et al.

(10) **Patent No.:** **US D715,393 S**
(45) **Date of Patent:** **** Oct. 14, 2014**

(54) **SCOPE MOUNT ASSEMBLY**

D673,239 S * 12/2012 Cheng D22/109
8,505,228 B2 * 8/2013 Cheng 42/90
8,726,558 B1 * 5/2014 Nason 42/71.01

(71) Applicant: **Keng's Firearms Specialty, Inc.**,
Atlanta, GA (US)

* cited by examiner

(72) Inventors: **Alvin Williams**, Smyrna, GA (US); **Kio James**, Austell, GA (US); **David Bonelli**, Smyrna, GA (US); **William Brown**, Marietta, GA (US); **Aaron Hampton**, Columbus, GA (US)

Primary Examiner — Michael A Pratt

(74) *Attorney, Agent, or Firm* — Sutherland Asbill & Brennan LLP

(73) Assignee: **Keng's Firearms Specialty, Inc.**,
Atlanta, GA (US)

(57) **CLAIM**

The ornamental design for a scope mount assembly, as shown and described.

(**) Term: **14 Years**

DESCRIPTION

(21) Appl. No.: **29/453,675**

FIG. 1 is a perspective view of a scope mount assembly according to an embodiment of the disclosure;

(22) Filed: **May 1, 2013**

FIG. 2 is a side view thereof;

(51) **LOC (10) Cl.** **22-01**

FIG. 3 is a front view thereof;

(52) **U.S. Cl.**

USPC **D22/109**

FIG. 4 is a partially exploded perspective view thereof;

(58) **Field of Classification Search**

USPC D22/109–110; 42/111, 133, 119, 122;
D16/132, 130, 133, 330, 134; 359/399,
359/823, 744

FIG. 5 is a partially exploded front view thereof;

See application file for complete search history.

FIG. 6 is a bottom view of a portion thereof;

(56) **References Cited**

U.S. PATENT DOCUMENTS

4,531,321 A * 7/1985 Bechtel 42/126
D346,198 S * 4/1994 Herringshaw D22/110
7,140,143 B1 * 11/2006 Ivey 42/125
D591,822 S * 5/2009 Moody et al. D22/109
7,543,405 B1 * 6/2009 Ivey 42/125
D632,753 S * 2/2011 Leighton et al. D22/109
8,020,334 B2 * 9/2011 Delmonico 42/105
8,276,304 B2 * 10/2012 Samson et al. 42/75.02

FIG. 7 is a top view of a portion thereof;

FIG. 8 is a side view of a portion thereof;

FIG. 9 is a perspective view of a portion thereof;

FIG. 10 is a perspective view of a scope mount assembly according to an embodiment of the disclosure;

FIG. 11 is a partially exploded perspective view thereof;

FIG. 12 is a front view thereof;

FIG. 13 is a side view thereof;

FIG. 14 is a partially exploded front view thereof;

FIG. 15 is a partially exploded side view thereof;

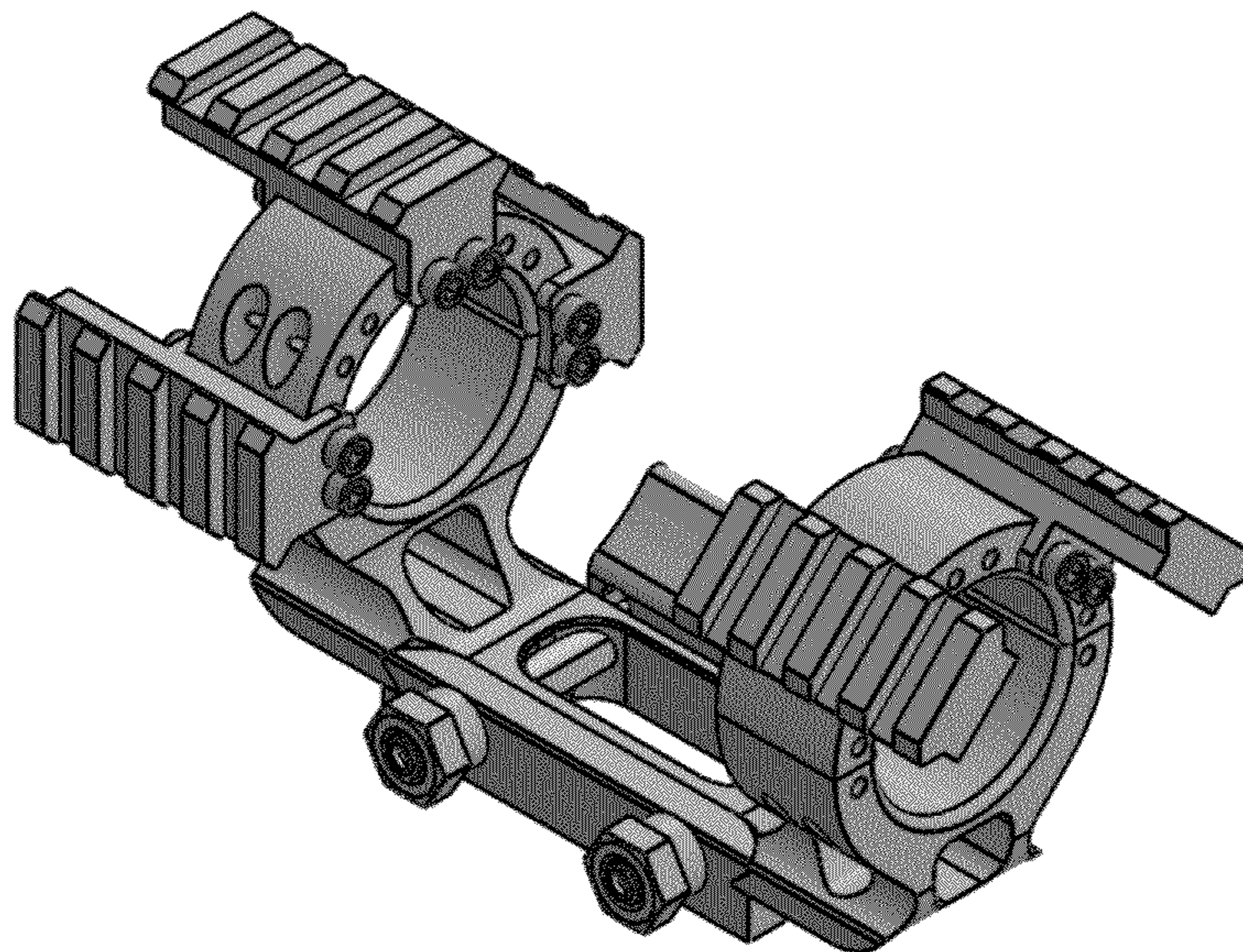
FIG. 16 is a perspective view of a bubble level assembly for a scope mount assembly according to an embodiment of the disclosure;

FIG. 17 is a rear view thereof;

FIG. 18 is a side view thereof; and,

FIG. 19 is a front view thereof.

1 Claim, 12 Drawing Sheets



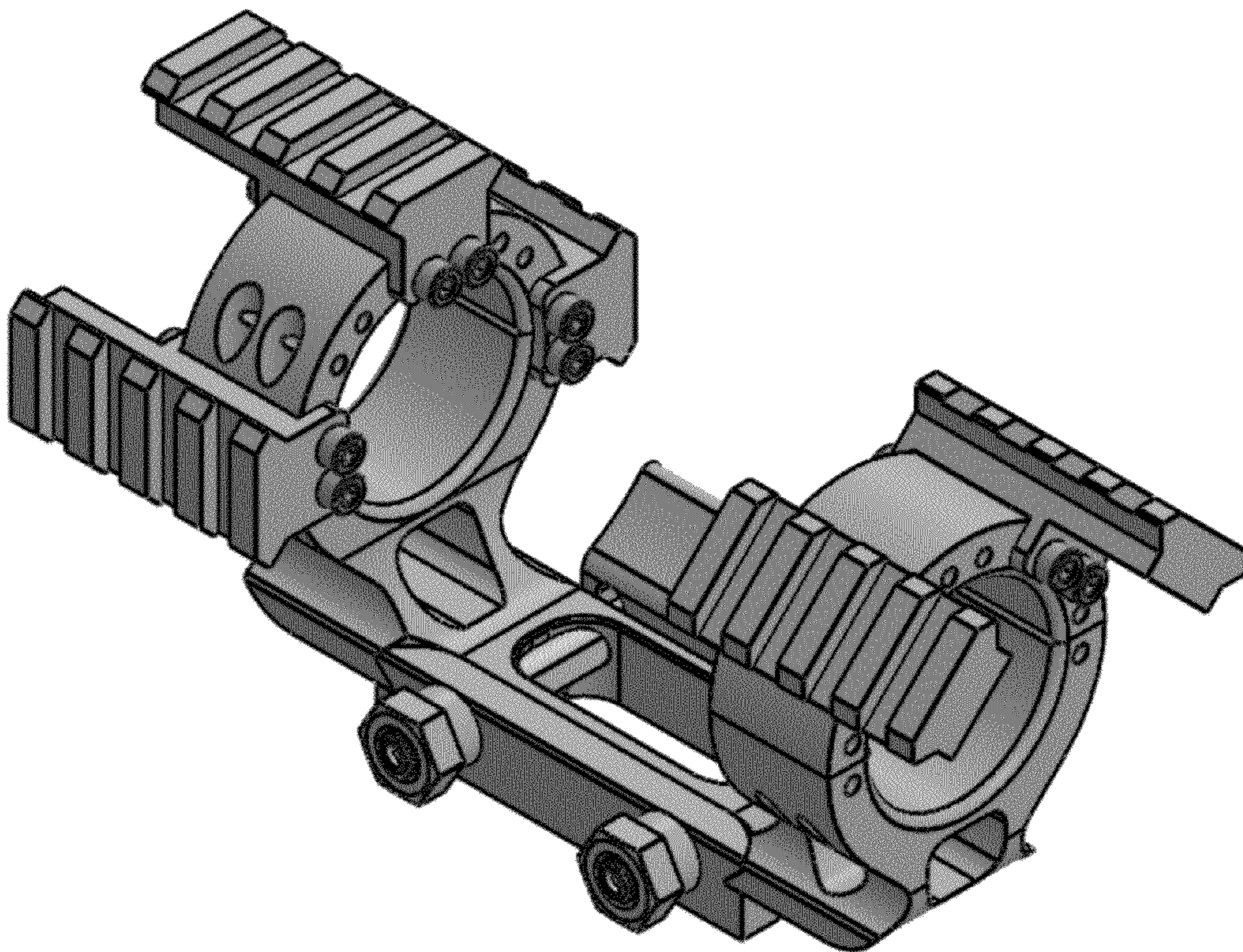


FIG. 1

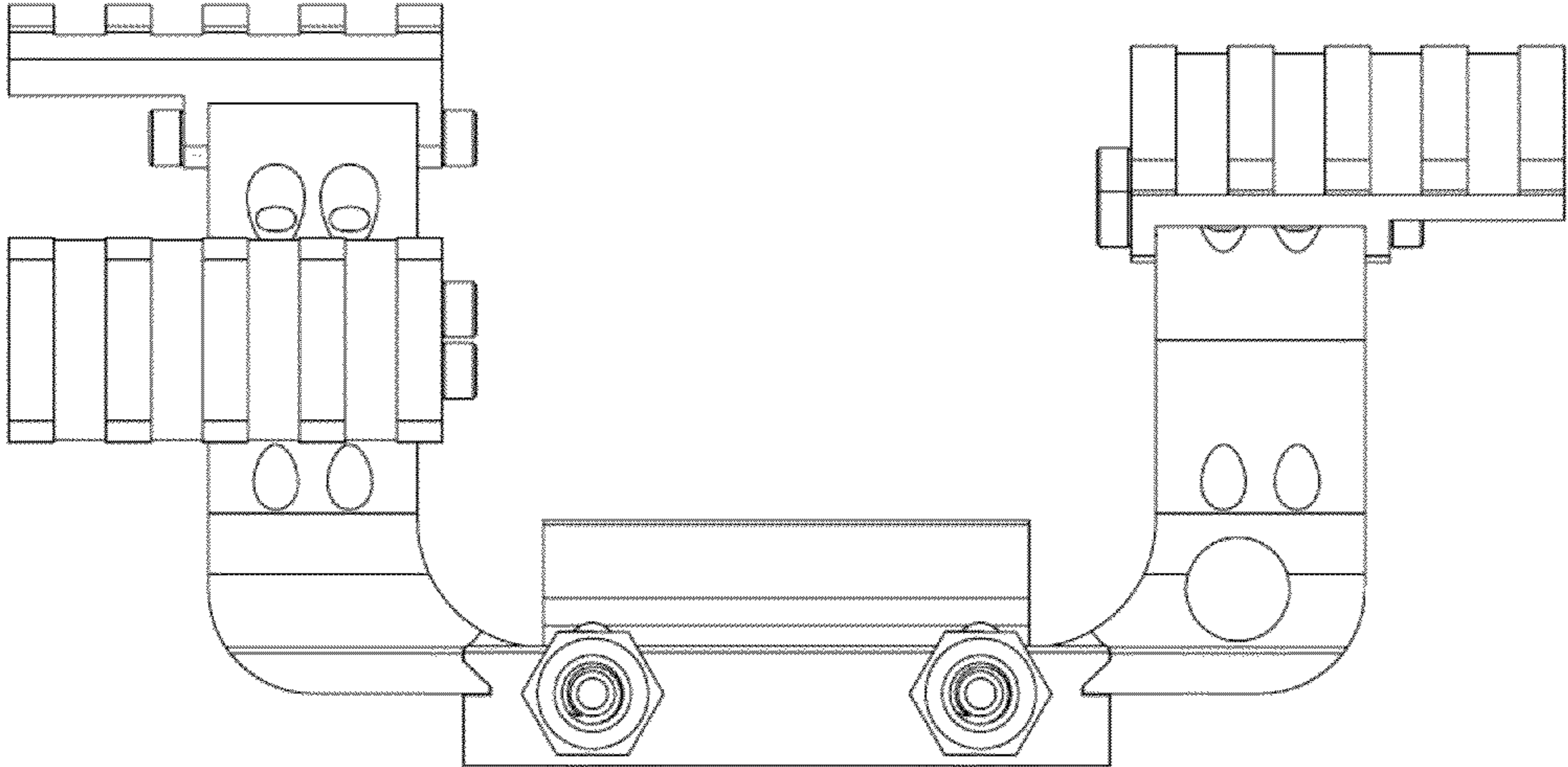


FIG. 2

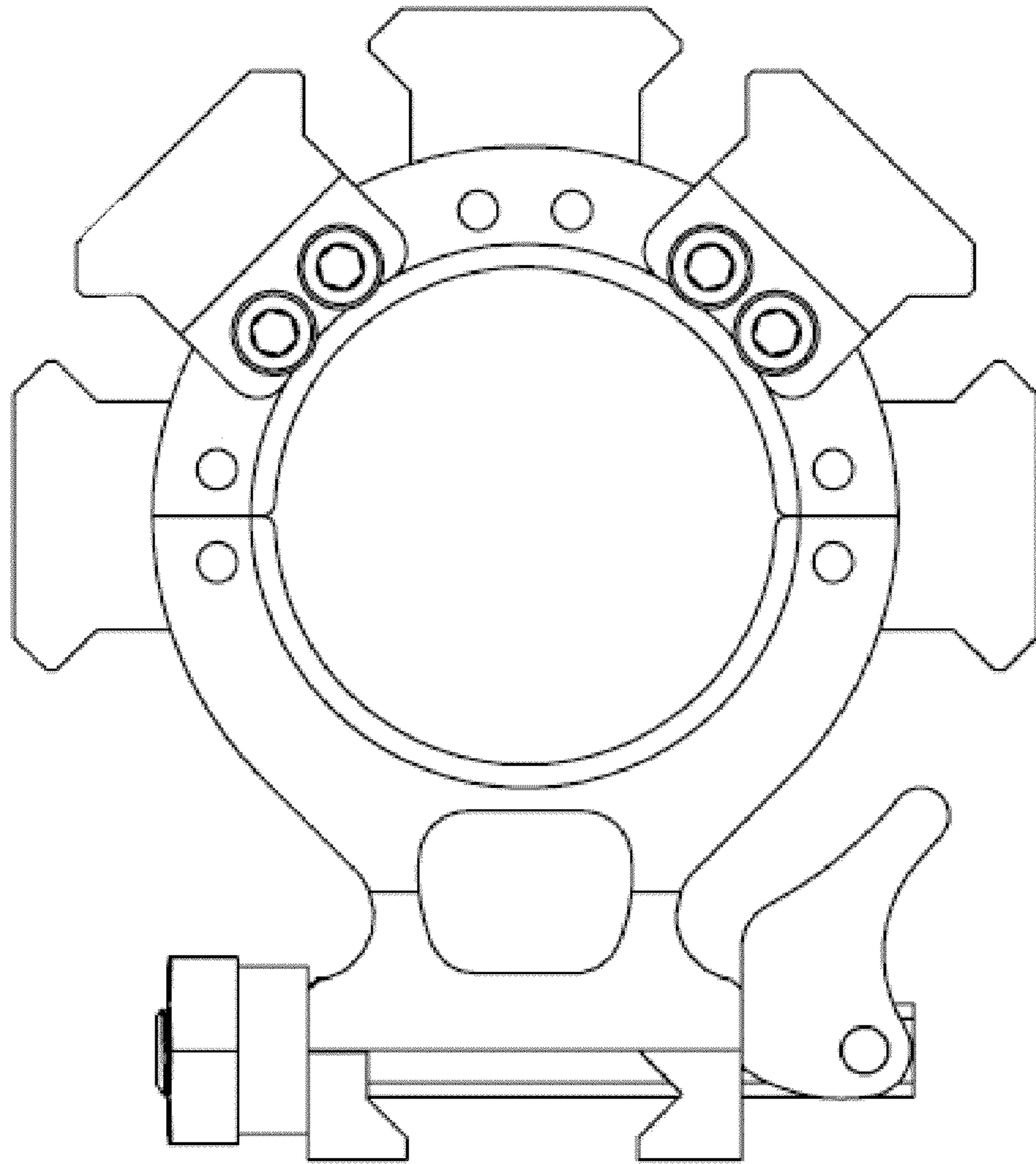


FIG. 3

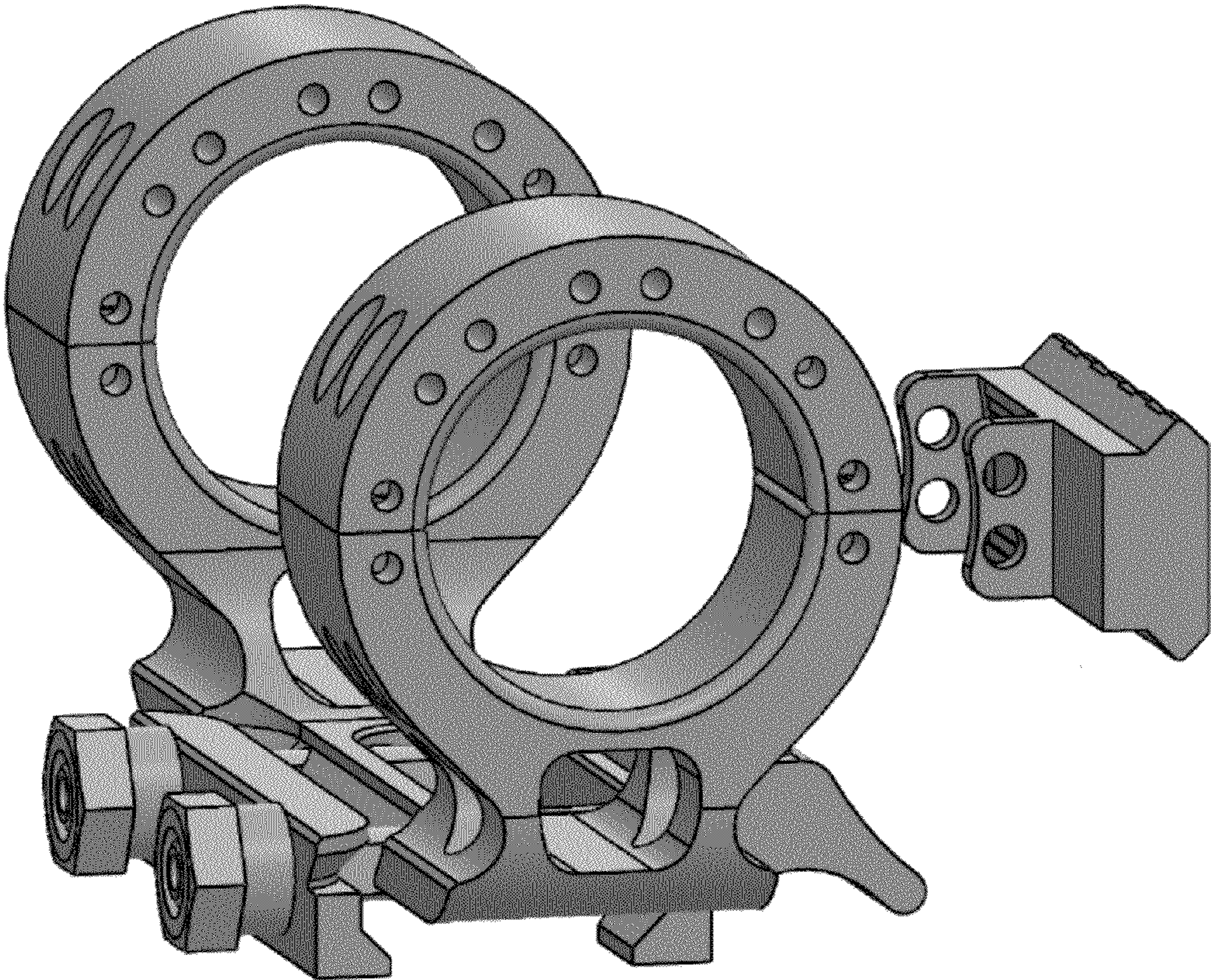


FIG. 4

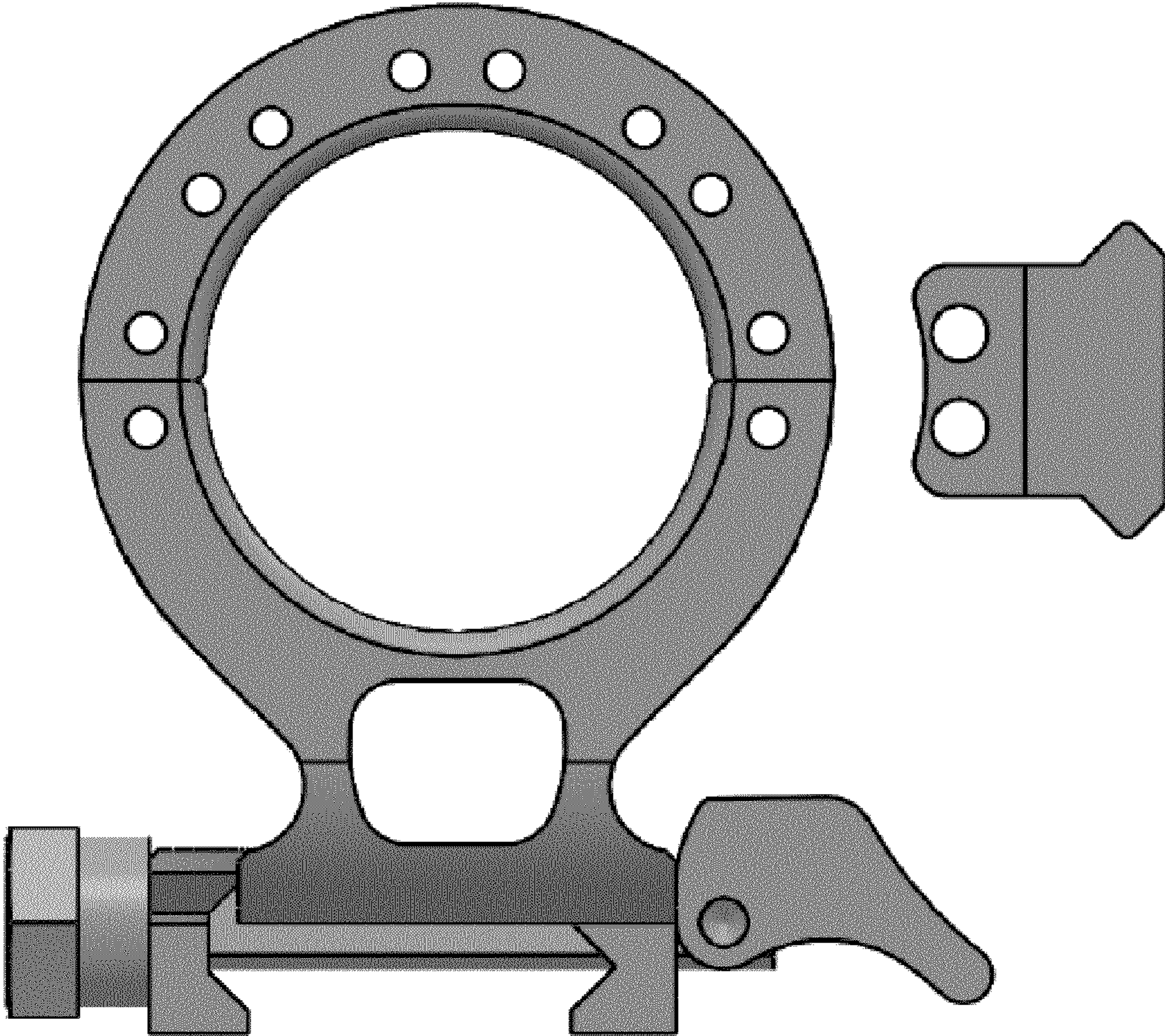


FIG. 5

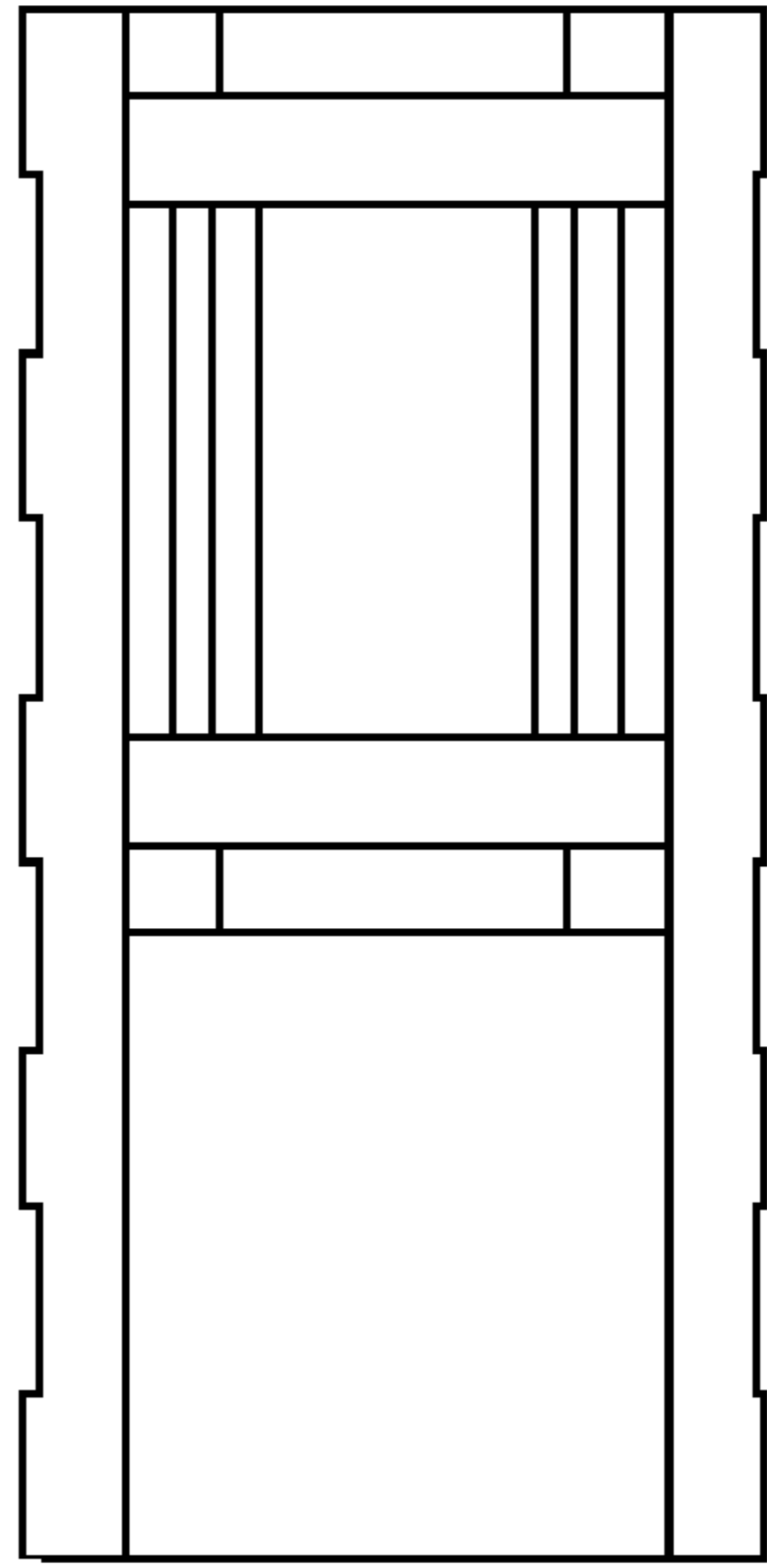


FIG. 6

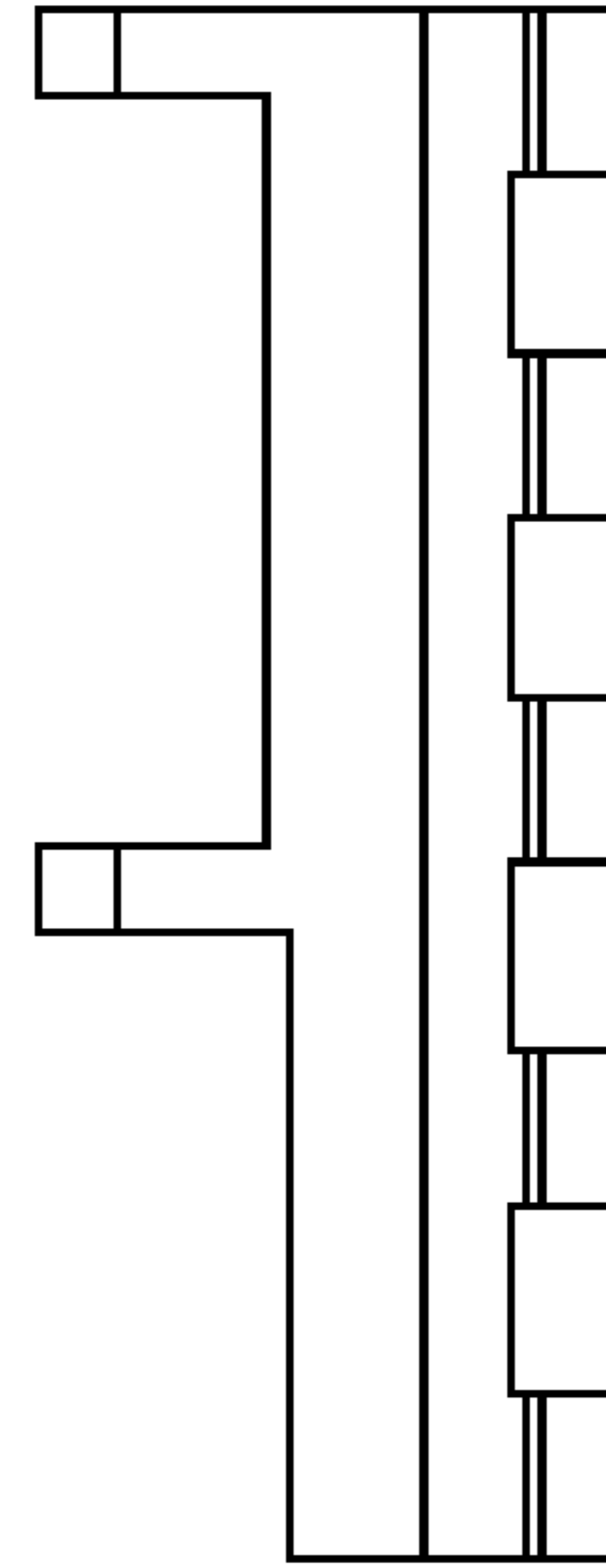


FIG. 8

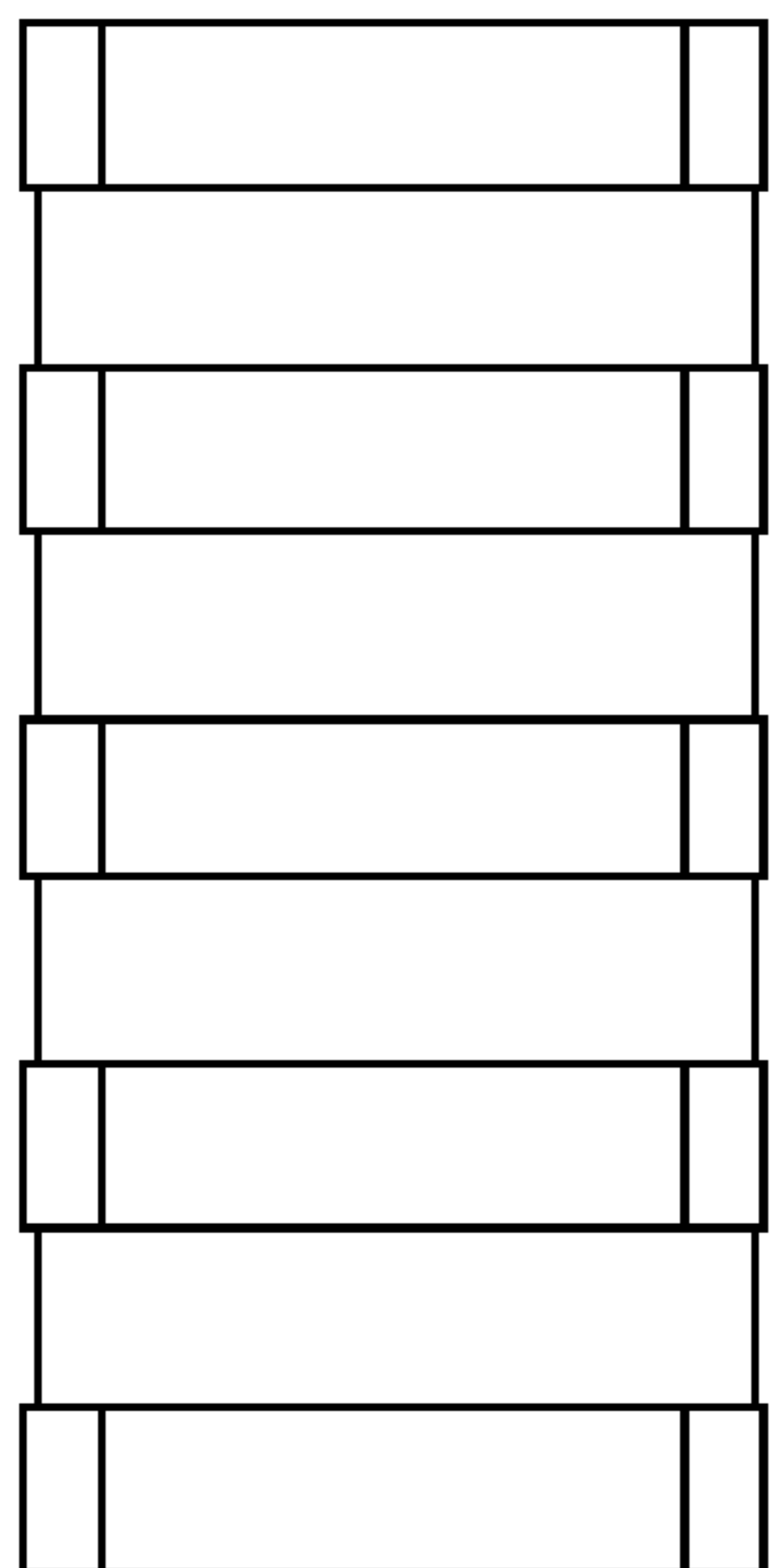


FIG. 7

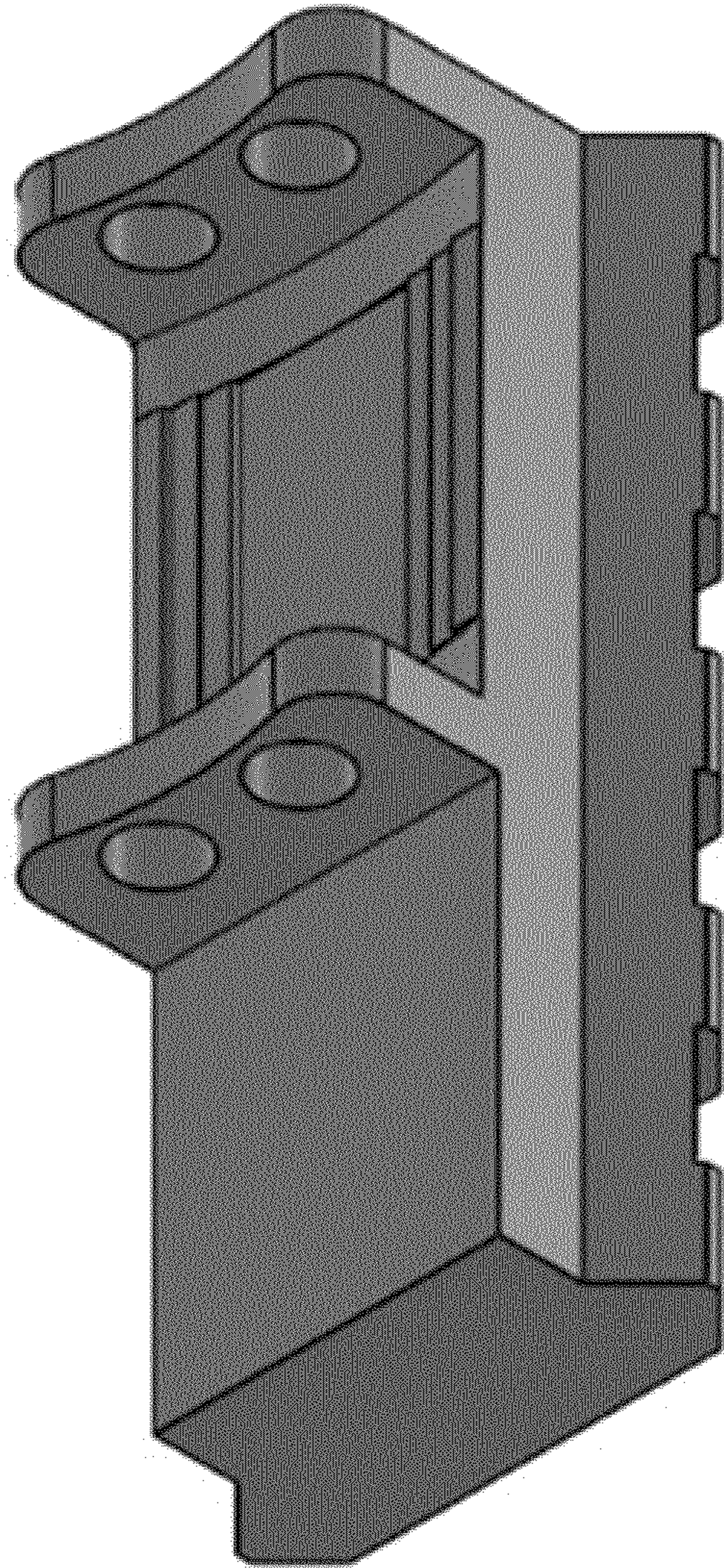


FIG. 9

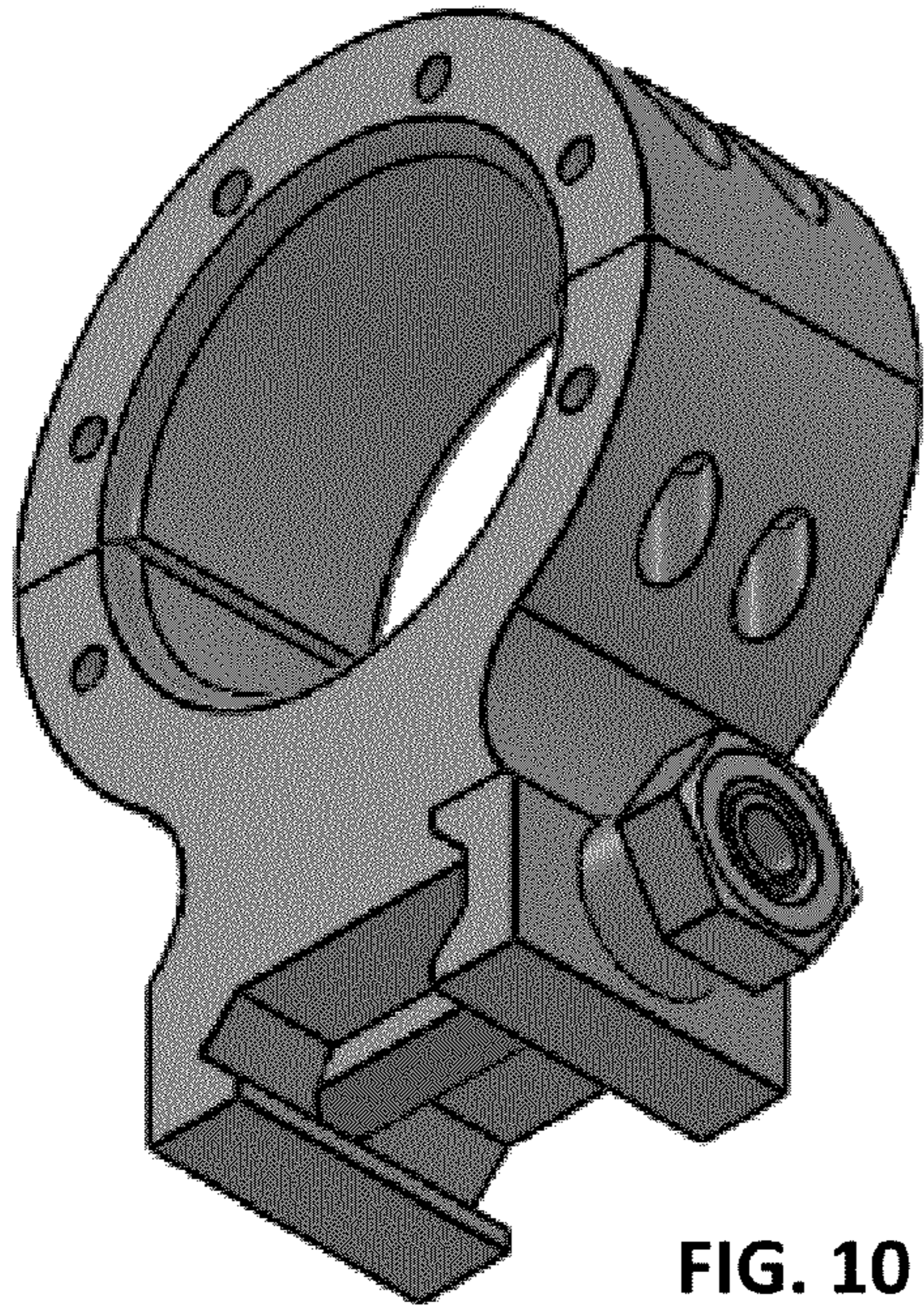


FIG. 10

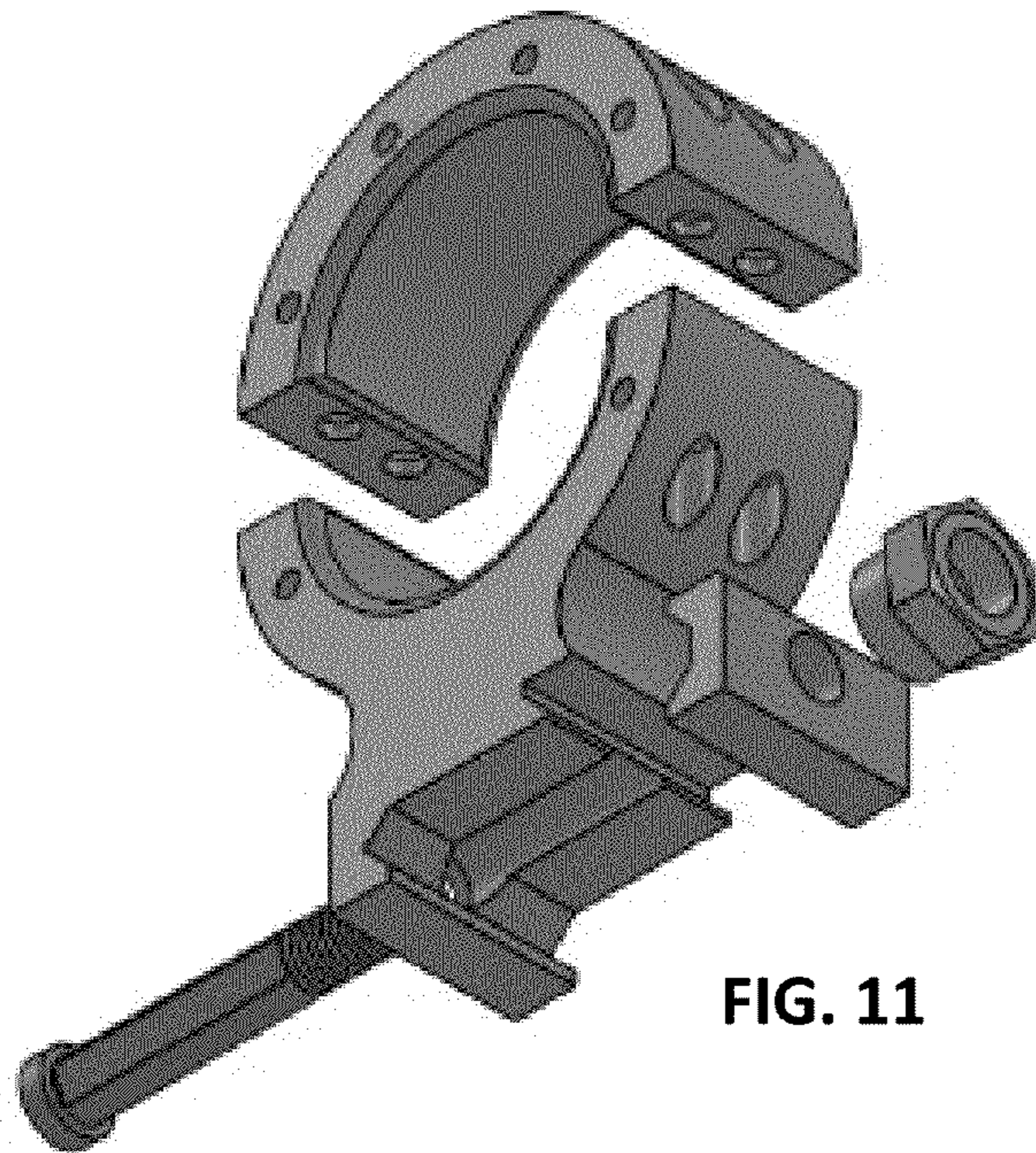


FIG. 11

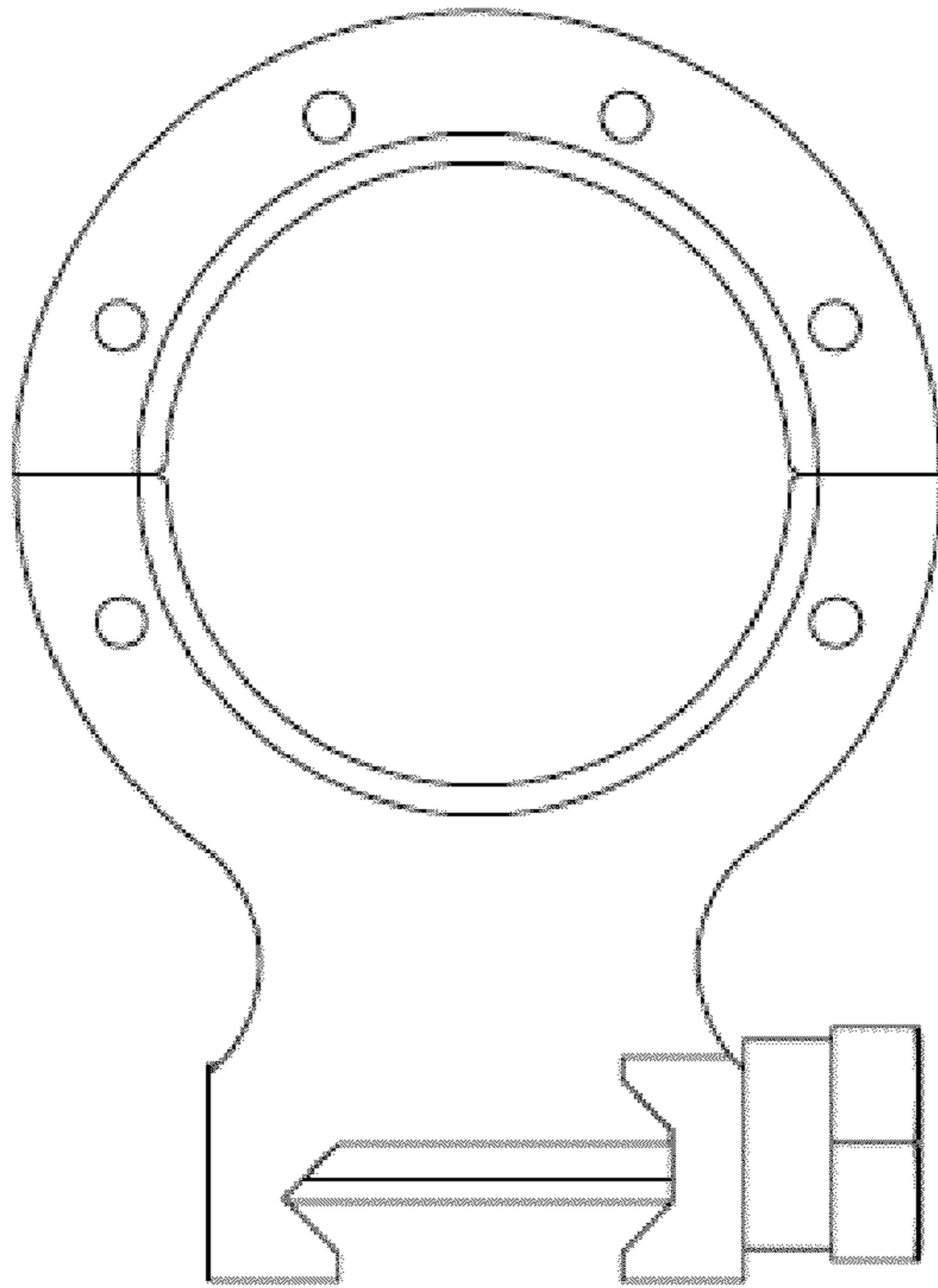


FIG. 12

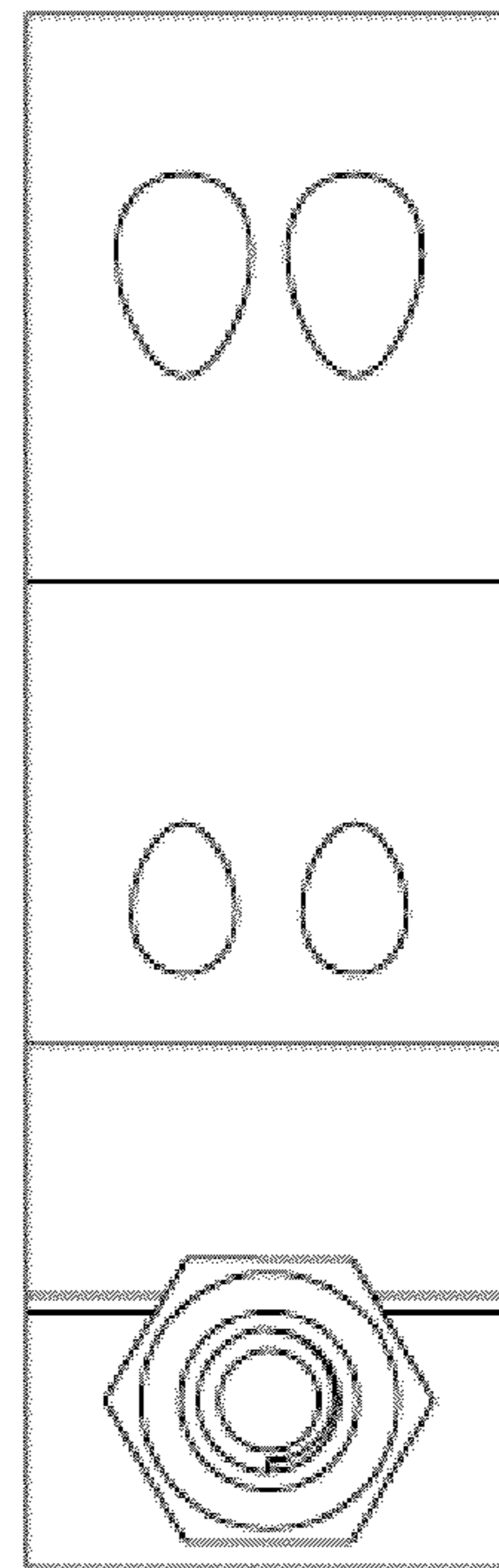


FIG. 13

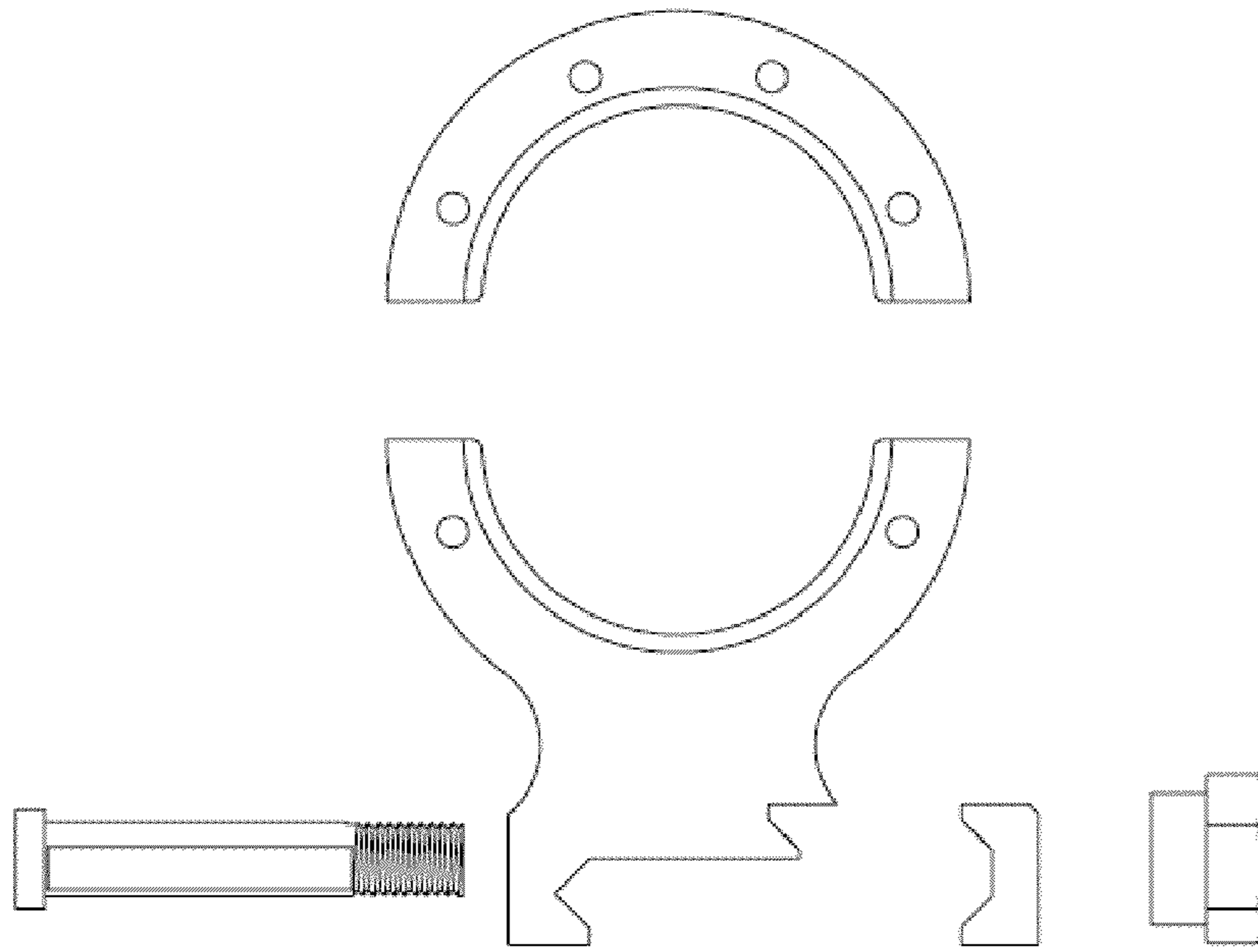


FIG. 14

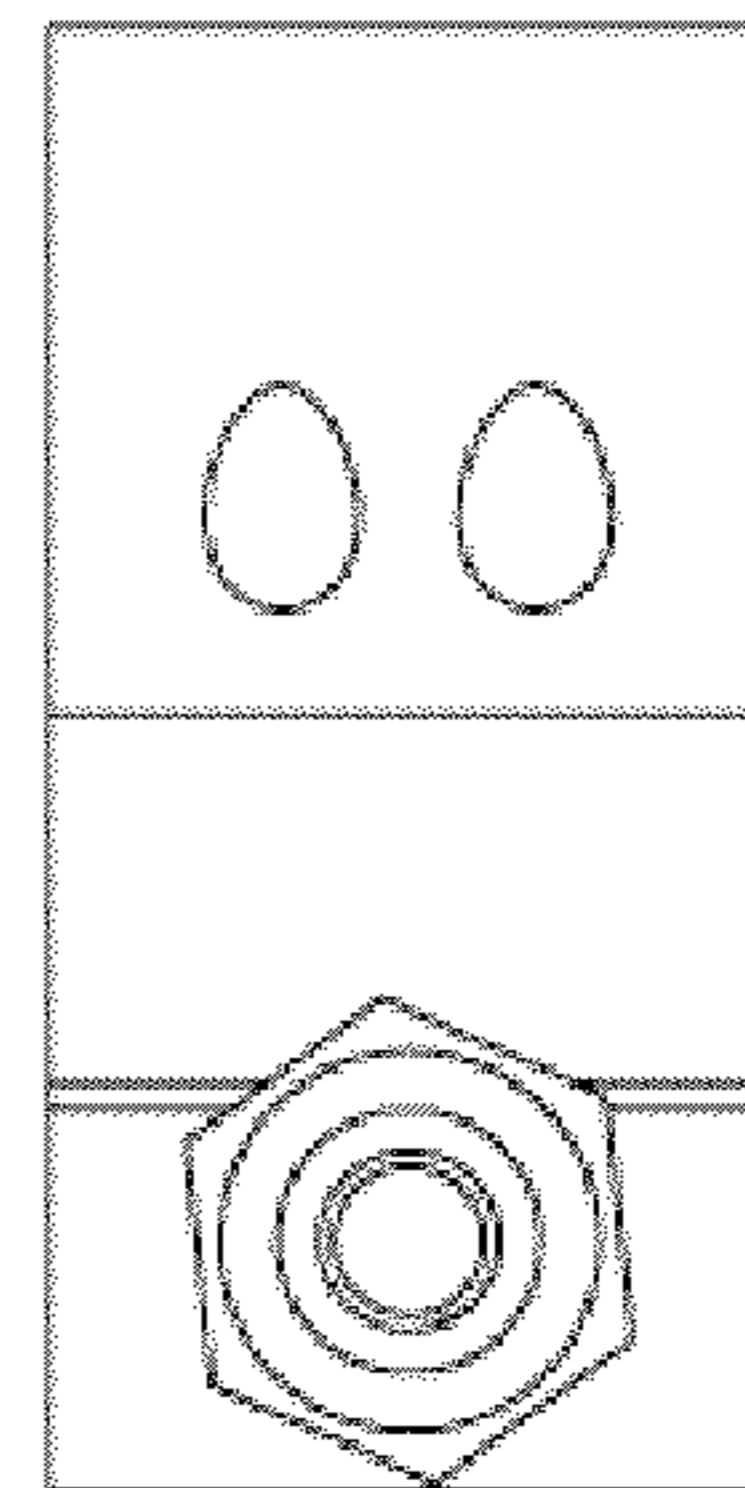
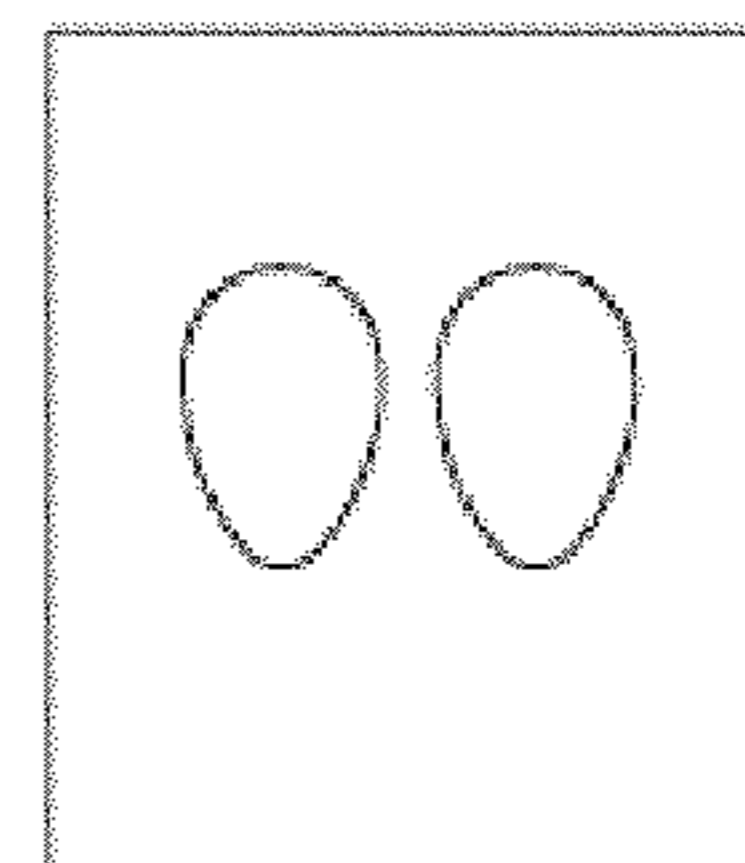


FIG. 15

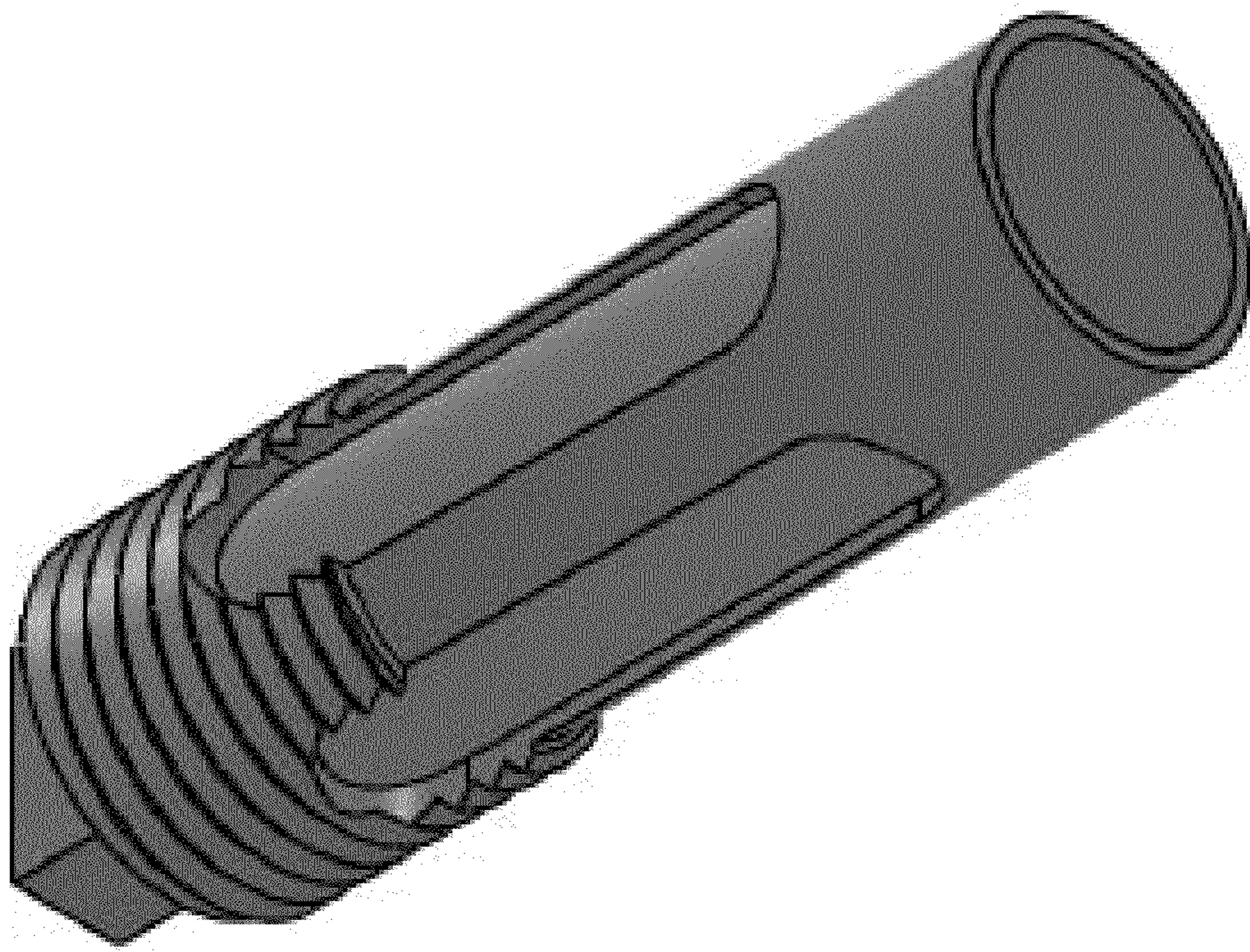


FIG. 16

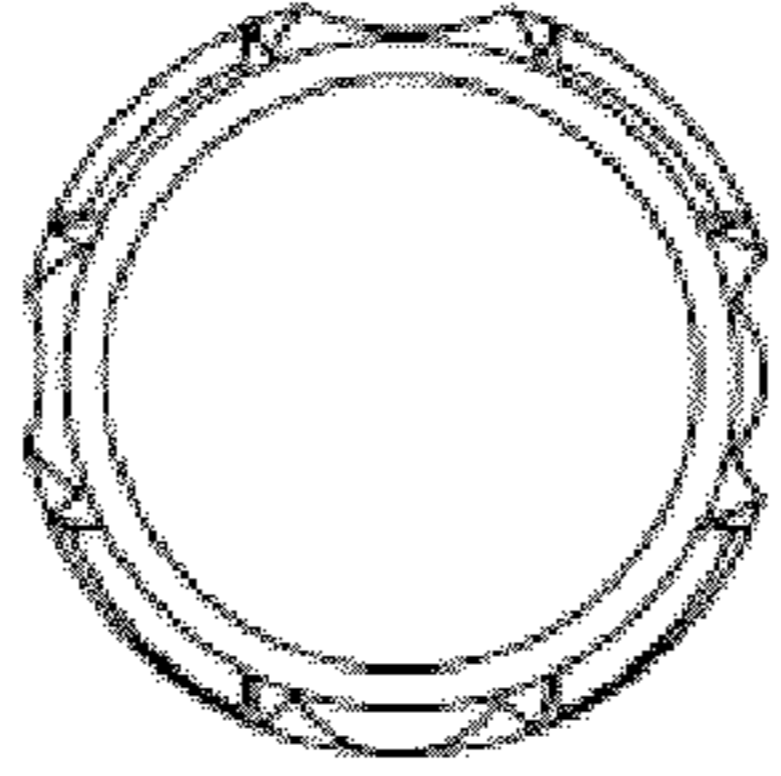


FIG. 19

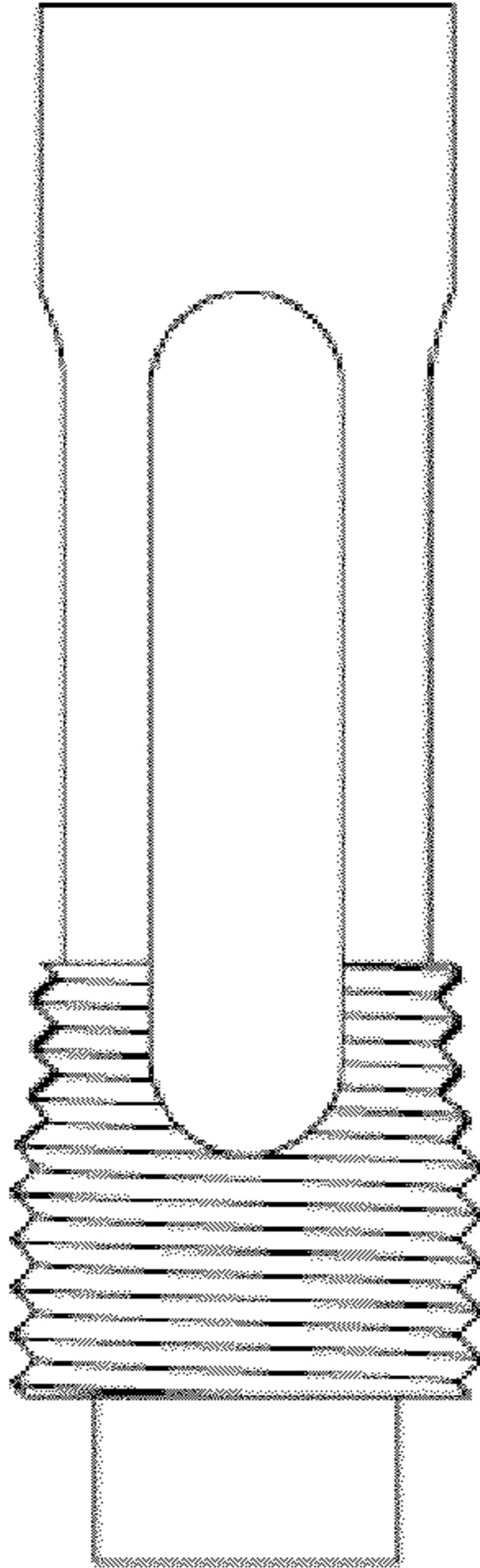


FIG. 18

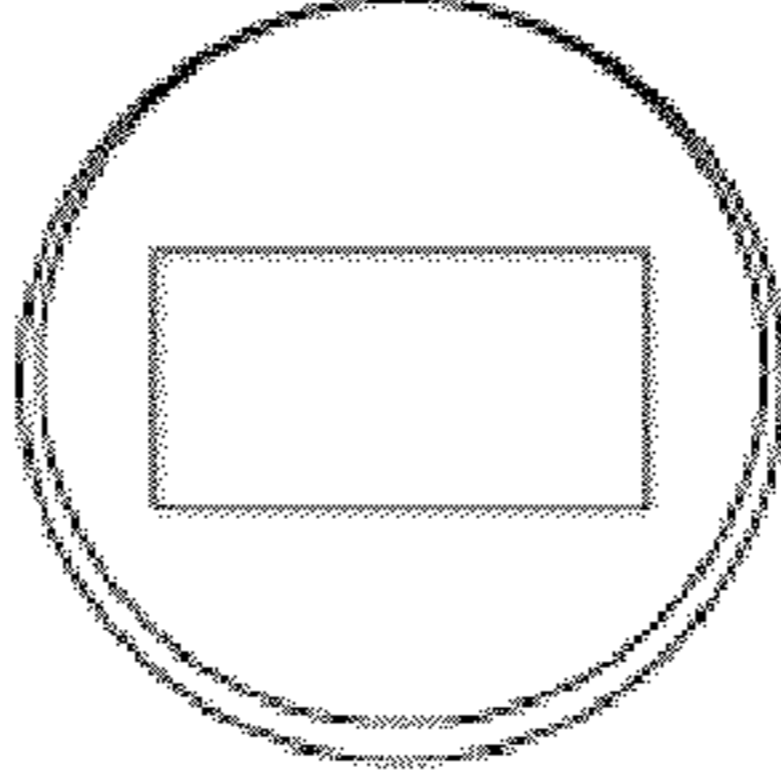


FIG. 17