



US00D715392S

(12) **United States Design Patent**
Cheng et al.

(10) **Patent No.:** **US D715,392 S**
(45) **Date of Patent:** **** Oct. 14, 2014**

(54) **OCTAGON SCOPE**

(71) Applicants: **Carson Cheng**, City of Industry, CA
(US); **Richard Viray Thomas**, Riallo,
CA (US)

(72) Inventors: **Carson Cheng**, City of Industry, CA
(US); **Richard Viray Thomas**, Riallo,
CA (US)

(73) Assignee: **NcStar, Inc.**, City of Industry, CA (US)

(**) Term: **14 Years**

(21) Appl. No.: **29/442,766**

(22) Filed: **May 13, 2013**

(51) **LOC (10) Cl.** **22-01**

(52) **U.S. Cl.**
USPC **D22/109**

(58) **Field of Classification Search**
USPC D22/109-110; 359/399, 823, 744;
D16/132, 130, 133, 330, 134; 42/111,
42/133, 119, 122

See application file for complete search history.

(56) **References Cited**

U.S. PATENT DOCUMENTS

3,276,127 A * 10/1966 Abrahamson 42/125
4,860,480 A * 8/1989 Ruger 42/124
5,276,554 A * 1/1994 Nassivera 359/694

D417,679 S * 12/1999 Cross et al. D16/132
7,516,571 B2 * 4/2009 Scrogin et al. 42/114
7,805,877 B2 * 10/2010 McCarty 42/125
8,166,696 B2 * 5/2012 Hamilton 42/122
8,166,697 B1 * 5/2012 Sueskind 42/125
D667,521 S * 9/2012 Hoshi D22/109
D668,312 S * 10/2012 Asano D22/109
8,286,383 B2 * 10/2012 Matthews 42/122
8,397,420 B2 * 3/2013 Hamilton 42/122
D681,152 S * 4/2013 Burzel et al. D22/109
D689,163 S * 9/2013 Radau et al. D22/109
D689,582 S * 9/2013 Radau et al. D22/109
2008/0022576 A1 * 1/2008 Epling 42/124

* cited by examiner

Primary Examiner — Michael A Pratt

(74) *Attorney, Agent, or Firm* — Raymond Y. Chan; David
and Raymond Patent Firm

(57) **CLAIM**

The ornamental design for a octagon scope, as shown and
described.

DESCRIPTION

FIG. 1 is a perspective view of octagon scope showing my
new design.

FIG. 2 is a top view thereof.

FIG. 3 is a bottom view thereof.

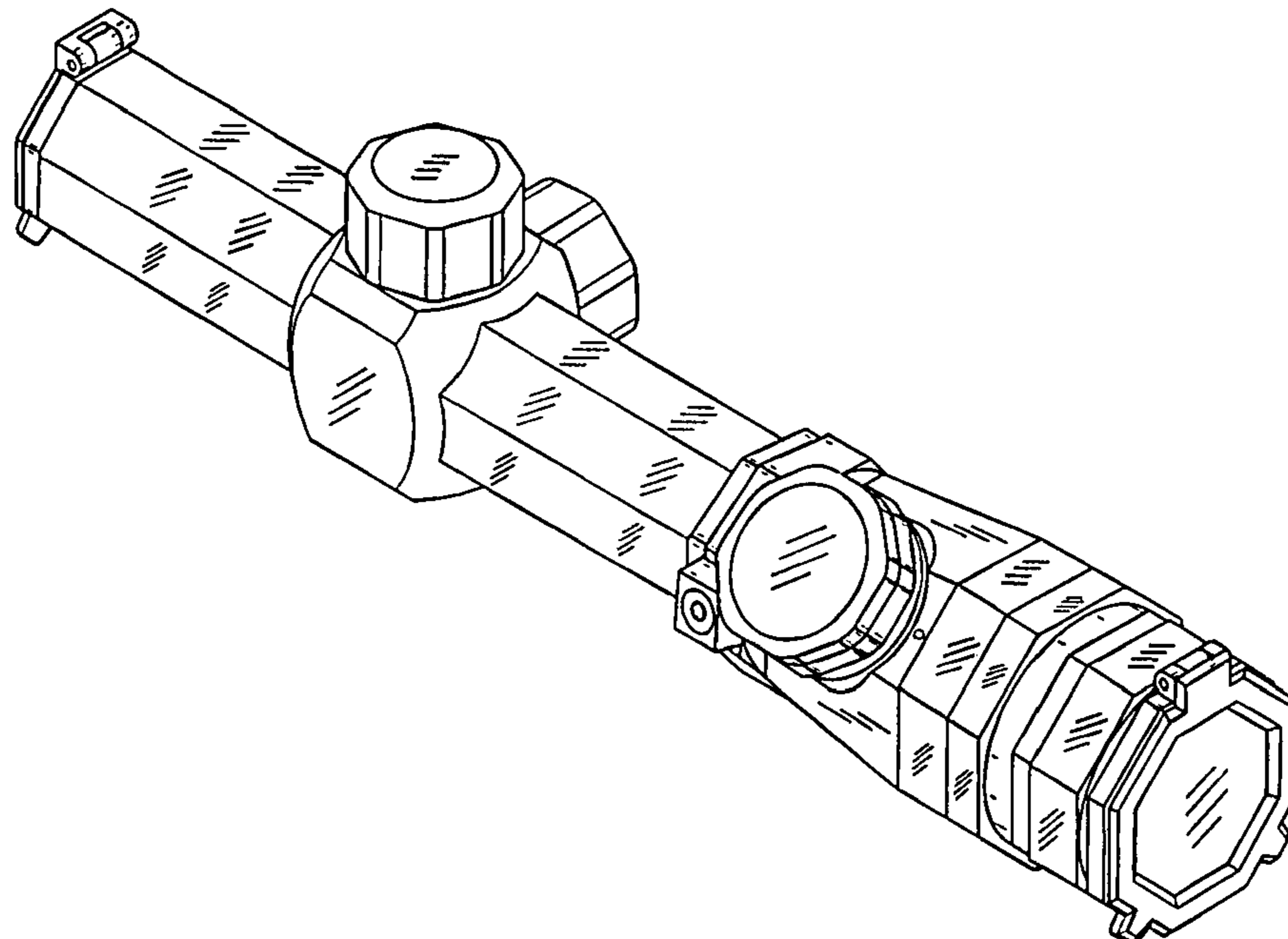
FIG. 4 is a left end view thereof.

FIG. 5 is a right view thereof.

FIG. 6 is a rear view thereof; and,

FIG. 7 is a front view thereof.

1 Claim, 7 Drawing Sheets



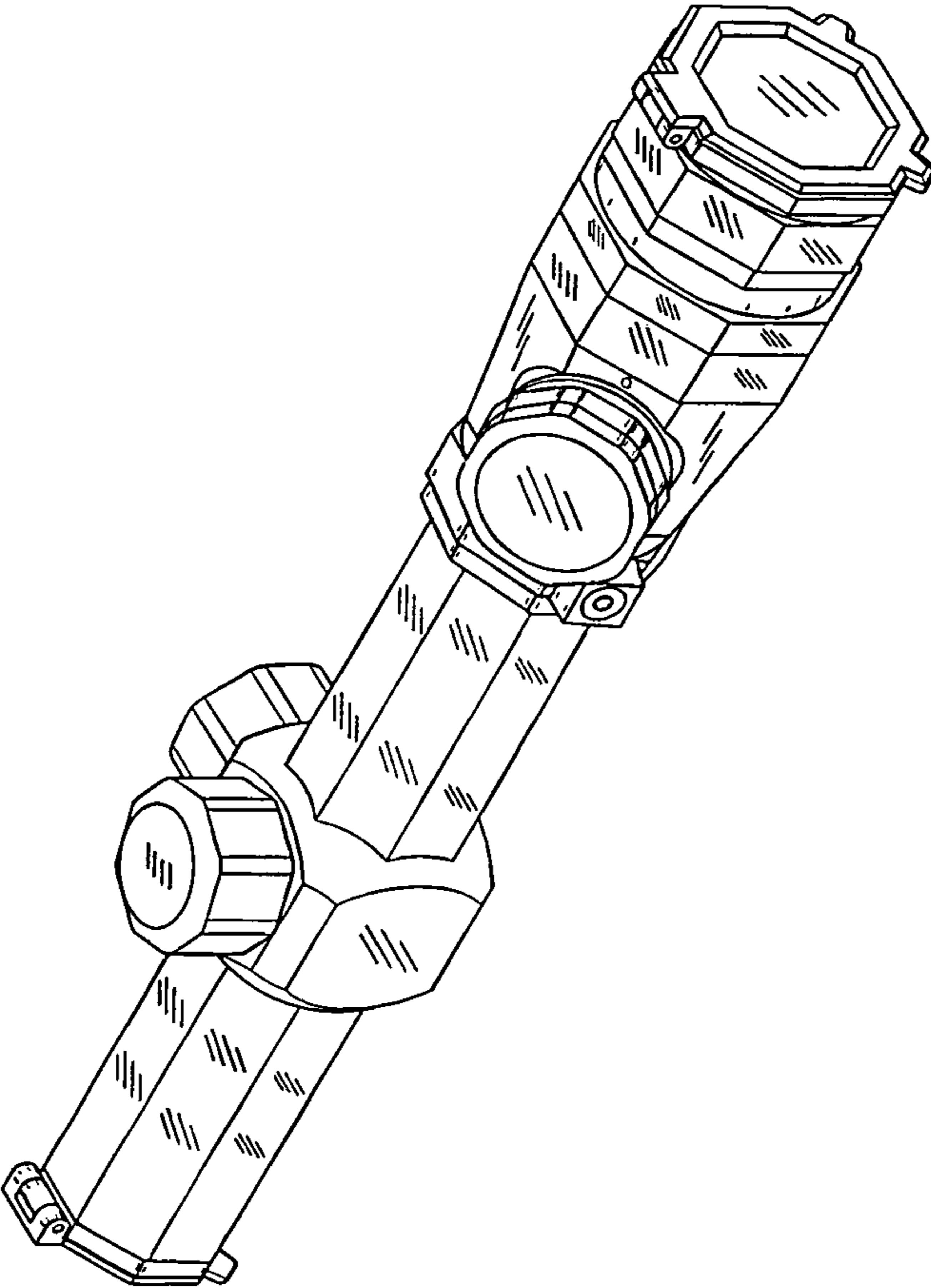


FIG. 1

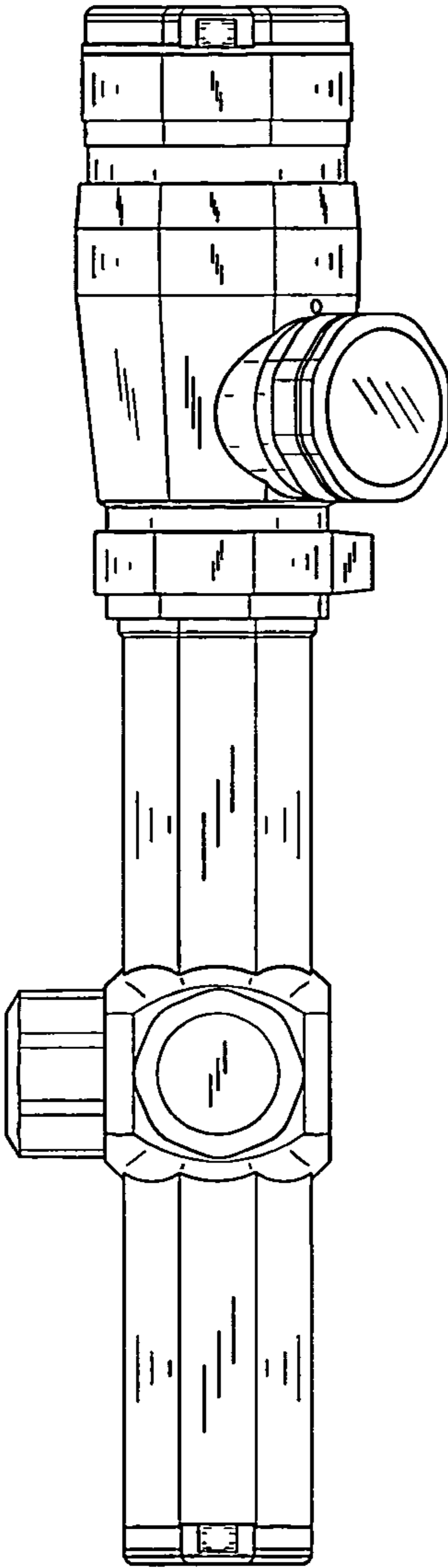


FIG.2

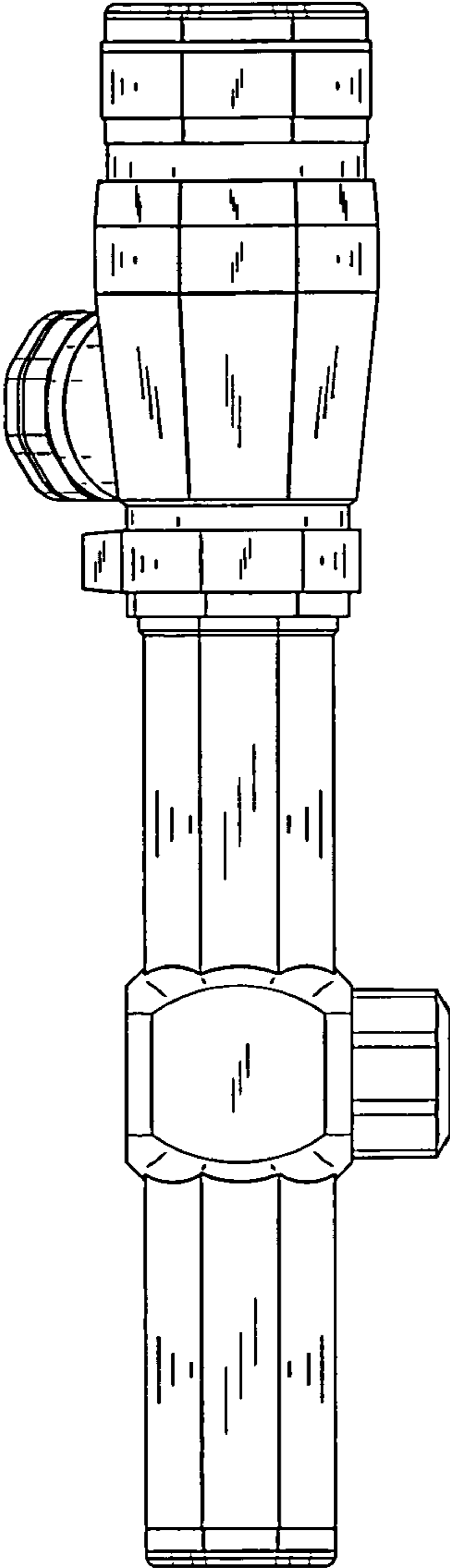


FIG.3

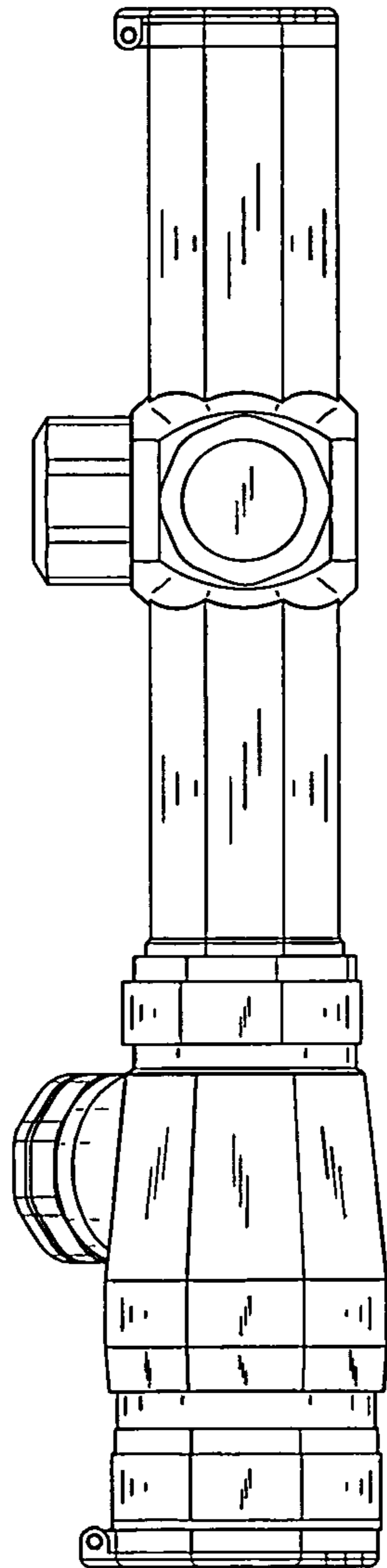


FIG.4

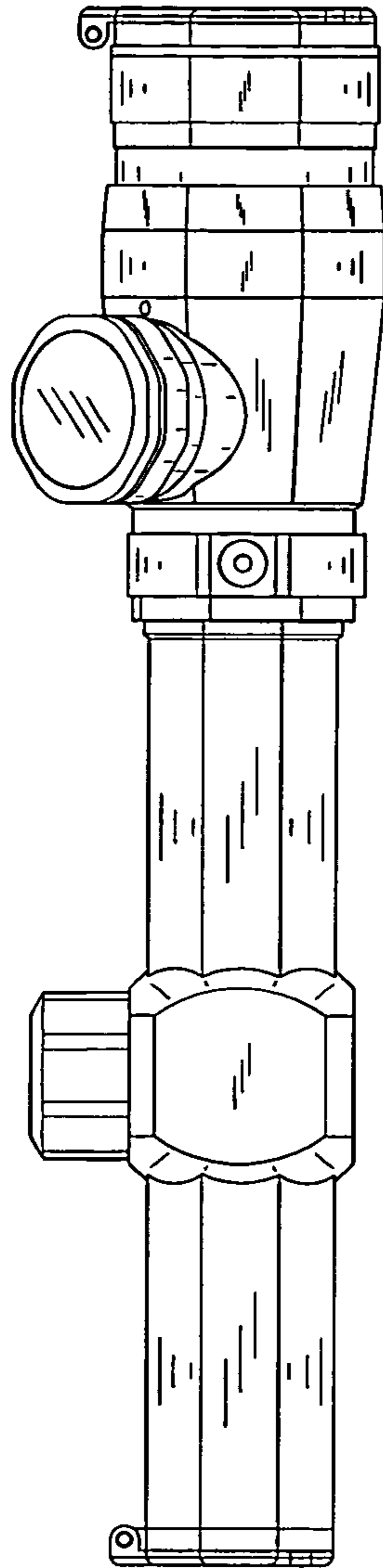


FIG. 5

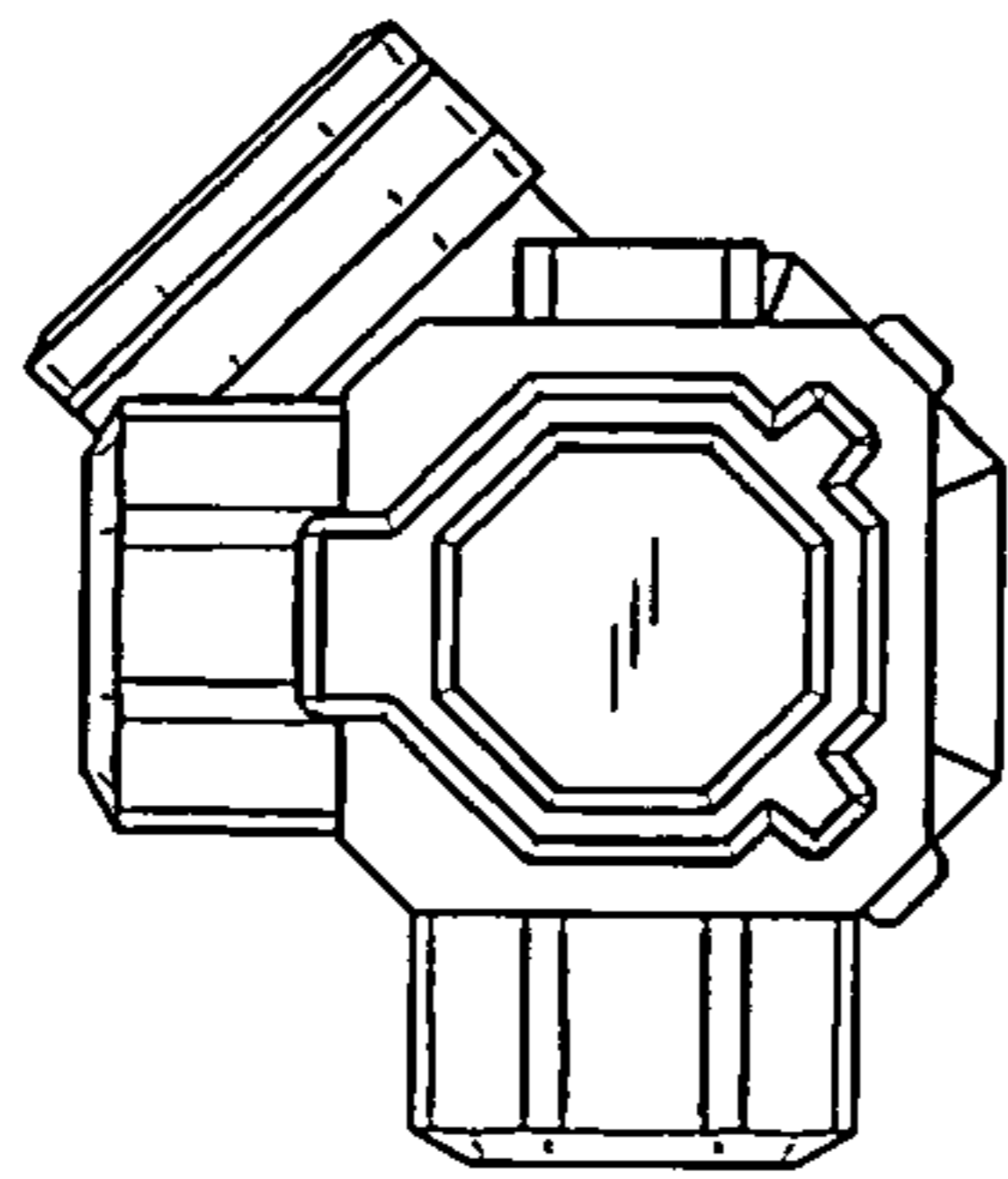


FIG.6

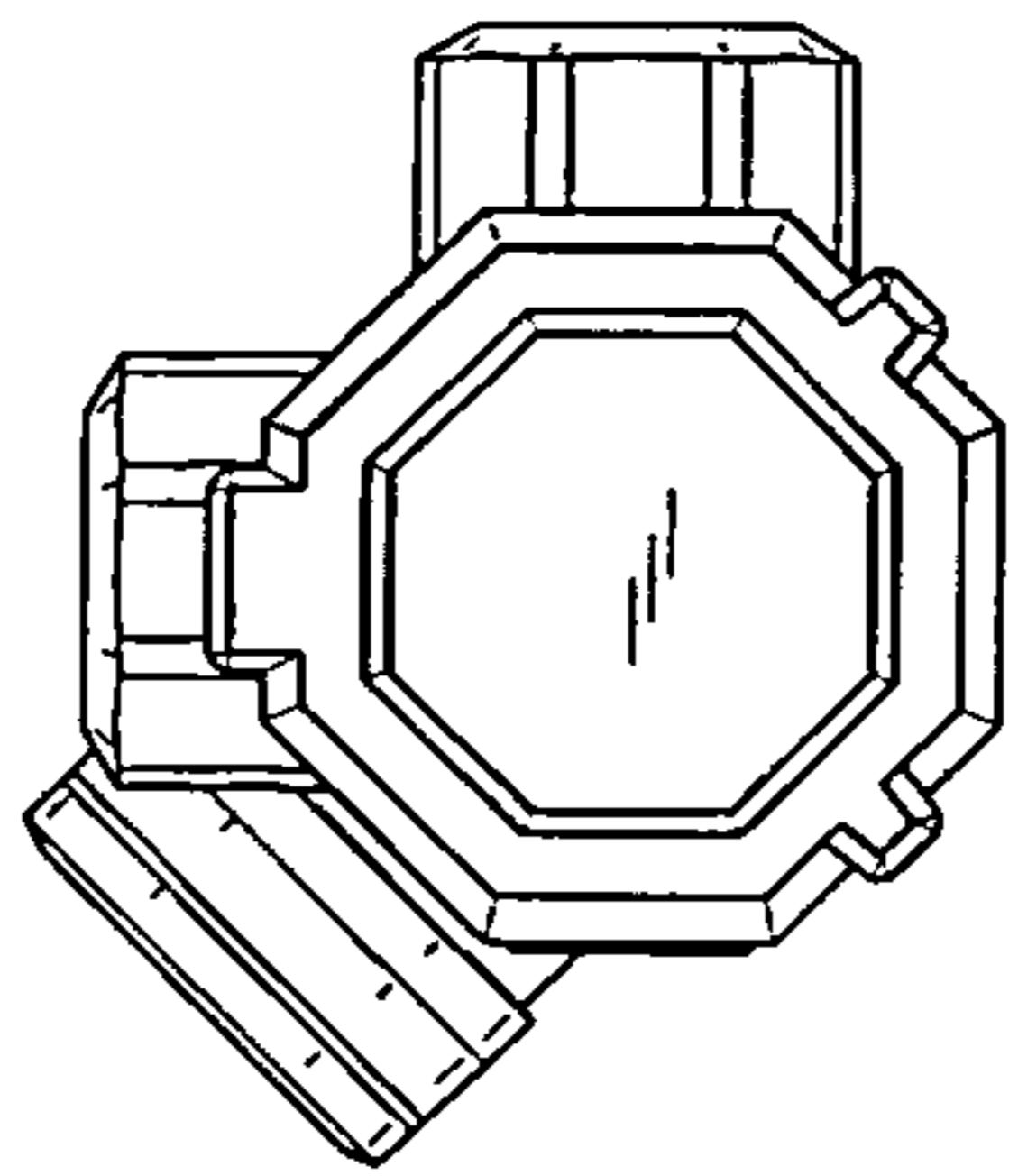


FIG.7