



US00D715391S

(12) **United States Design Patent**
Choma

(10) **Patent No.:** **US D715,391 S**

(45) **Date of Patent:** **** Oct. 14, 2014**

(54) **CANTILEVERED QUIVER ASSEMBLY**

(71) Applicant: **David Choma**, Tallmadge, OH (US)

(72) Inventor: **David Choma**, Tallmadge, OH (US)

(**) Term: **14 Years**

(21) Appl. No.: **29/440,436**

(22) Filed: **Dec. 21, 2012**

(51) **LOC (10) Cl.** **22-01**

(52) **U.S. Cl.**
USPC **D22/107**

(58) **Field of Classification Search**
USPC D22/107; 124/23.1, 25.6, 86, 88;
D21/572
See application file for complete search history.

(56) **References Cited**

U.S. PATENT DOCUMENTS

3,777,734	A *	12/1973	Rose	124/25.5
4,685,438	A *	8/1987	Larson	124/25.7
5,001,837	A *	3/1991	Bray	33/265
D339,184	S *	9/1993	Warner	D22/107
D613,809	S *	4/2010	Barnes et al.	D22/107
7,987,842	B2 *	8/2011	McPherson	124/86

8,061,341	B2 *	11/2011	Hudkins	124/44.5
8,505,527	B2 *	8/2013	Kempf	124/86
8,596,256	B2 *	12/2013	McPherson	124/86
2003/0172915	A1 *	9/2003	Andrews	124/89
2008/0302346	A1 *	12/2008	Notestine	124/25.7
2010/0132685	A1 *	6/2010	De Sousa	124/88
2013/0081604	A1 *	4/2013	Lee	124/88

* cited by examiner

Primary Examiner — Michael A Pratt

(74) *Attorney, Agent, or Firm* — John D. Gugliotta, PE, Esq

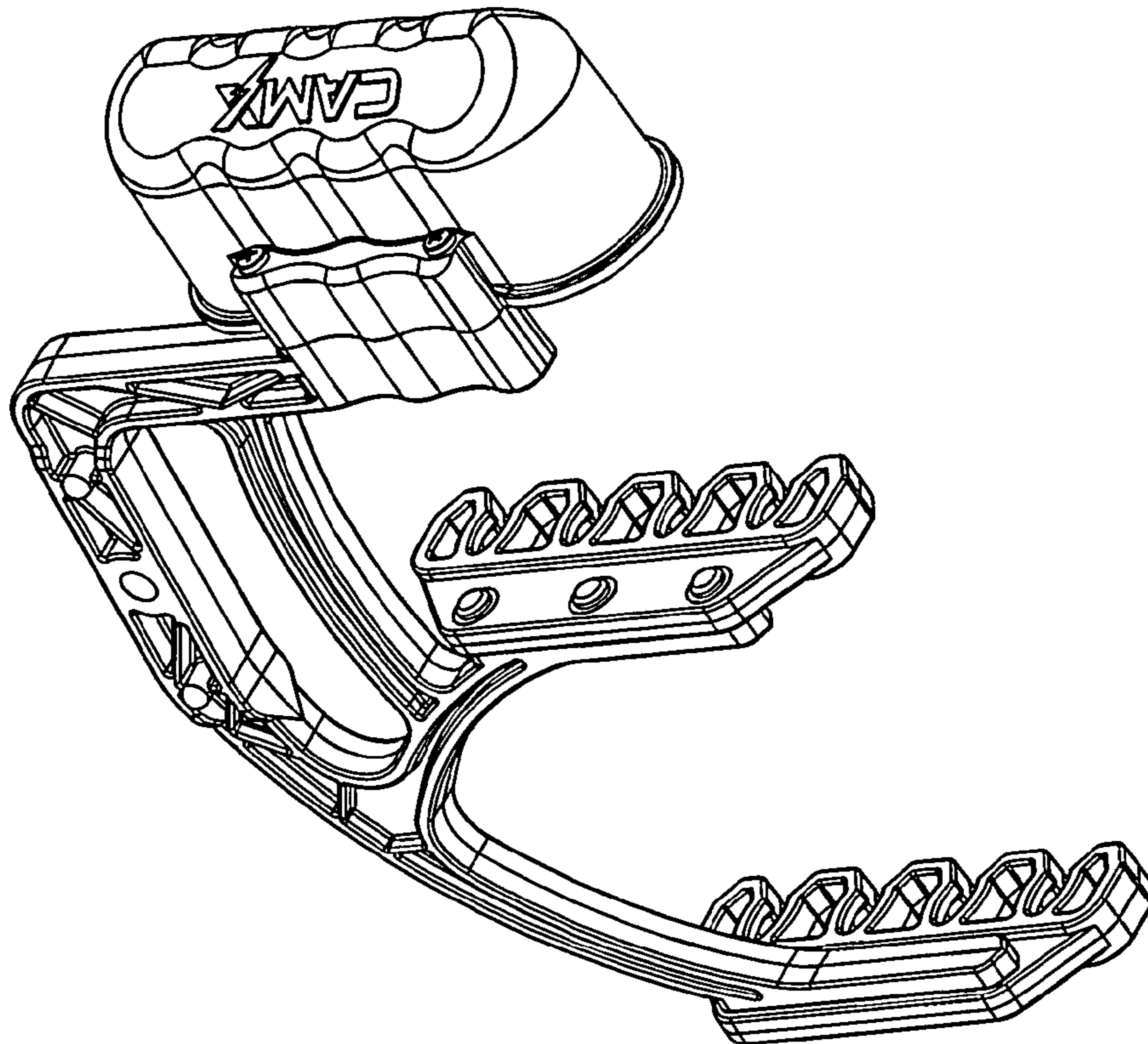
(57) **CLAIM**

The ornamental design for a cantilevered quiver assembly, as shown and described.

DESCRIPTION

FIG. 1 is a perspective view of a cantilevered quiver assembly showing my new design according to the preferred embodiment;
FIG. 2 is a top plan view thereof;
FIG. 3 is a bottom plan view thereof;
FIG. 4 is front elevational view thereof;
FIG. 5 is a right side elevational view thereof;
FIG. 6 is a back elevational view thereof; and,
FIG. 7 is a left side elevational view thereof.

1 Claim, 6 Drawing Sheets



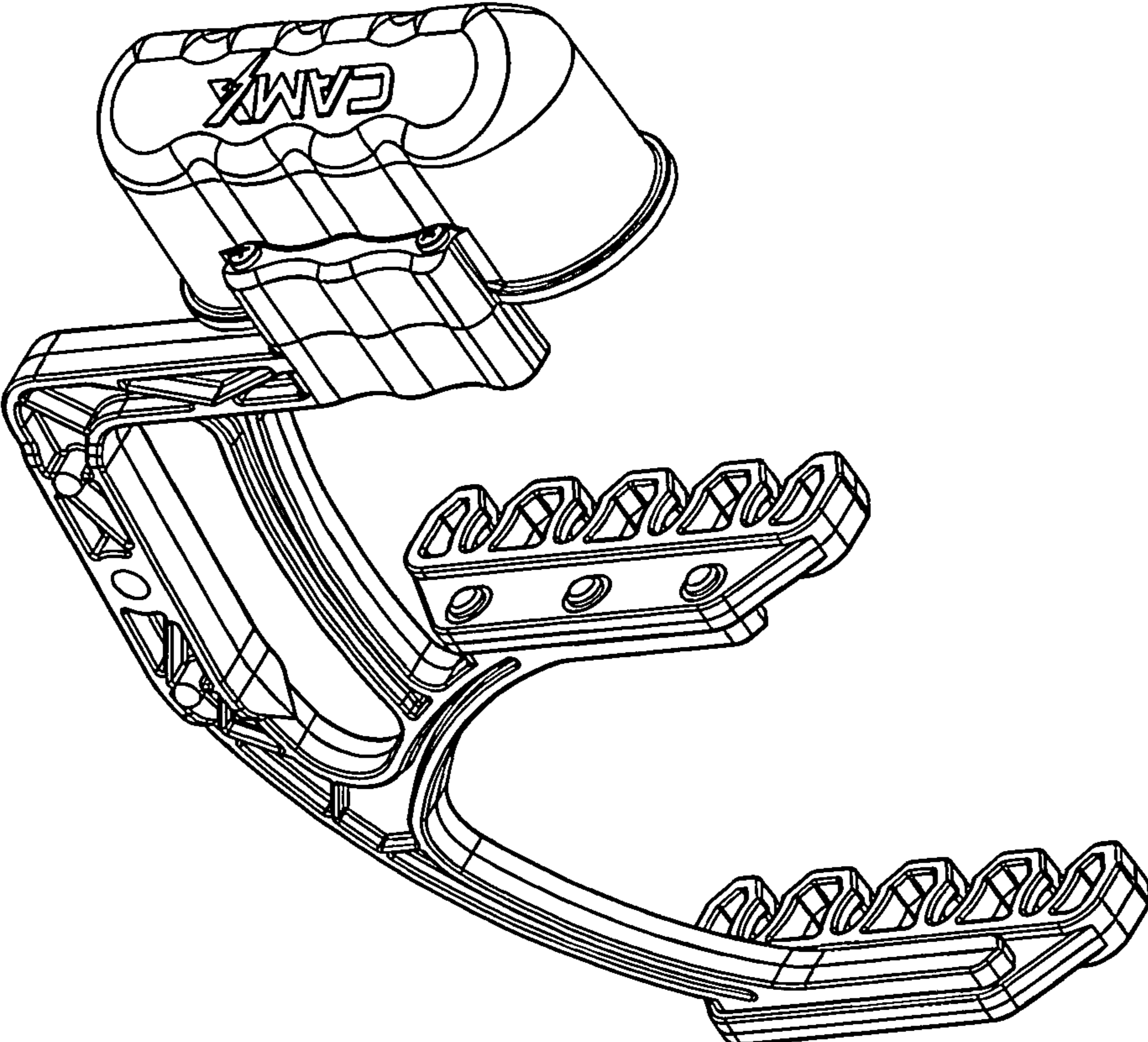


Fig. 1

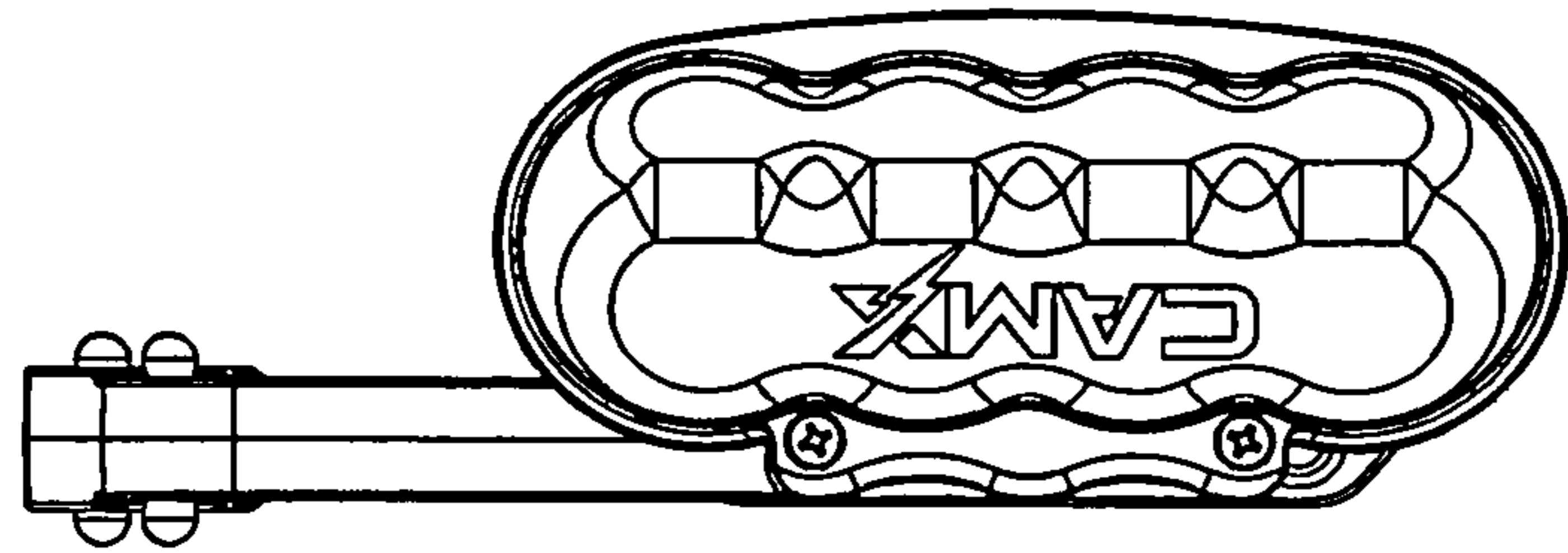


Fig. 2

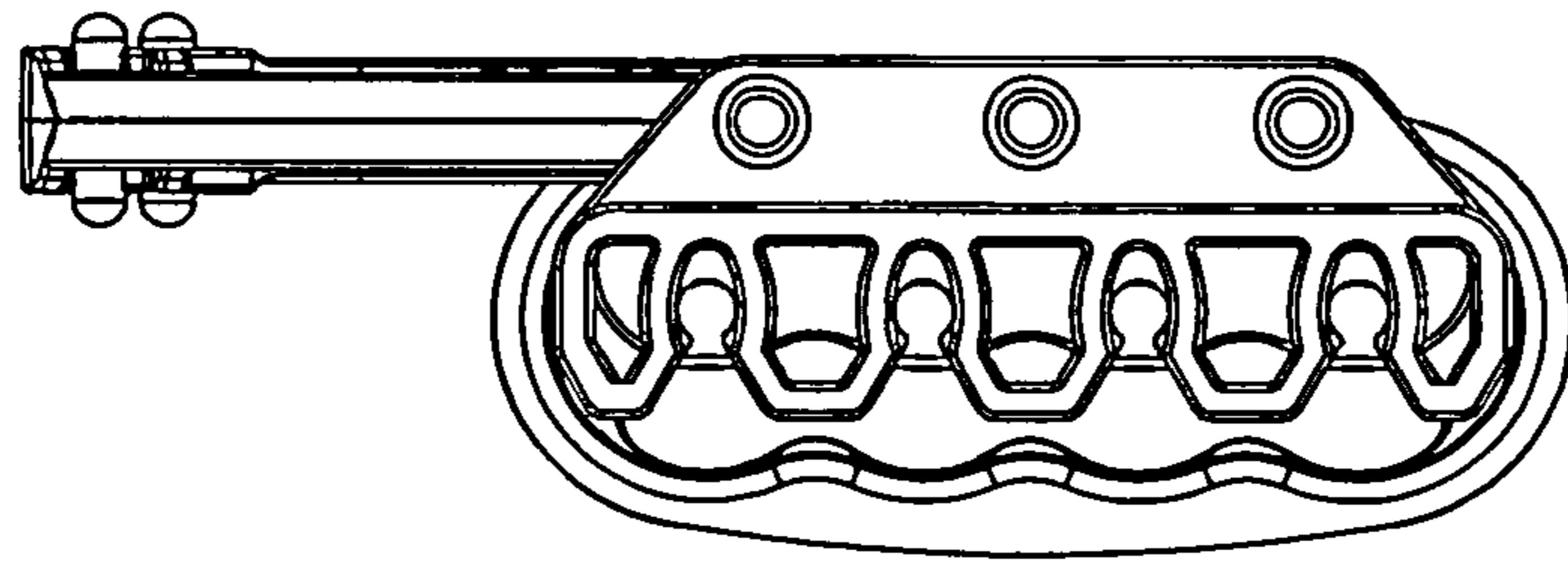


Fig. 3

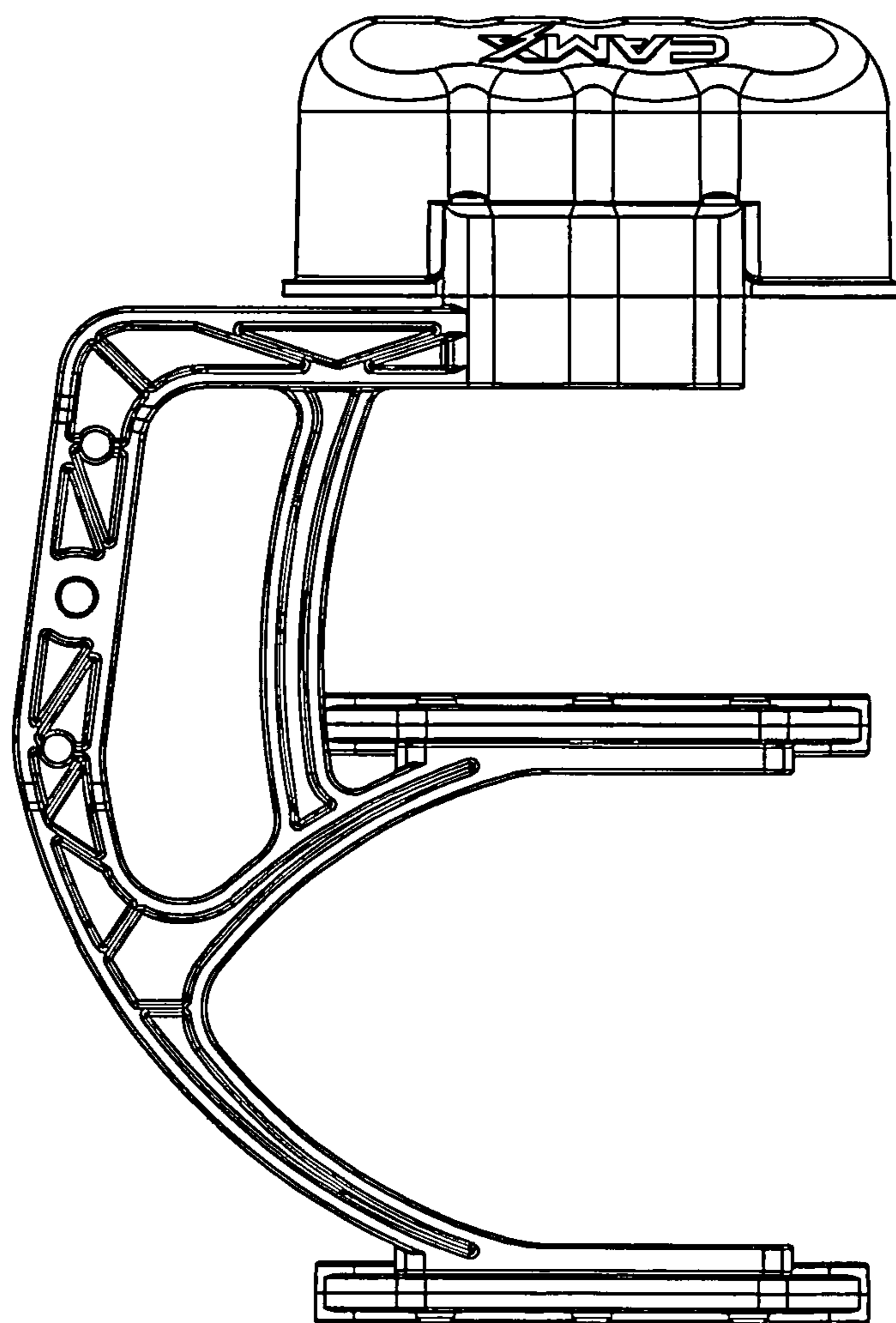


Fig. 4

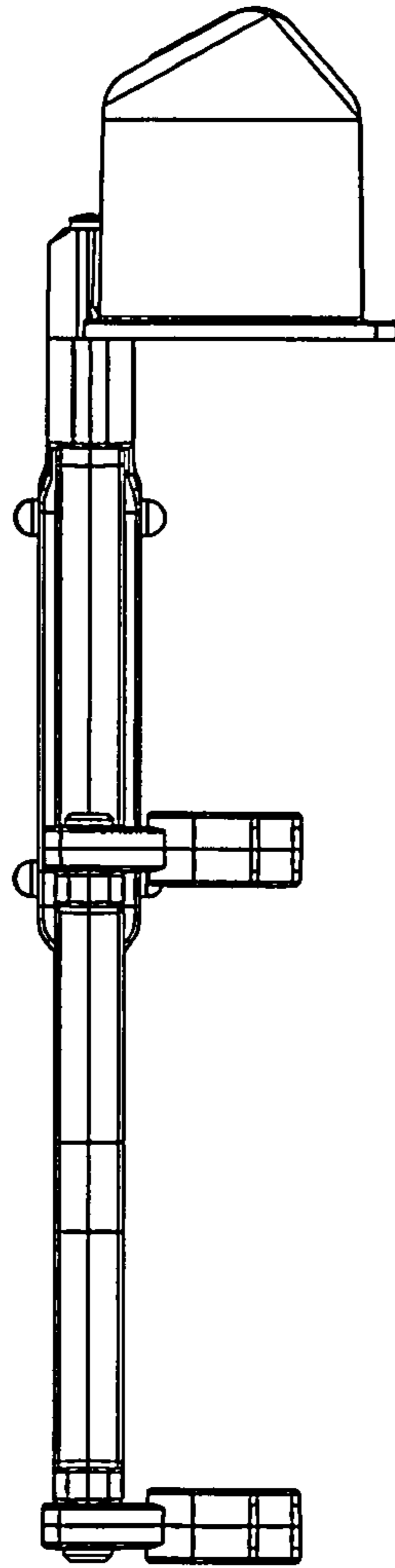


Fig. 5

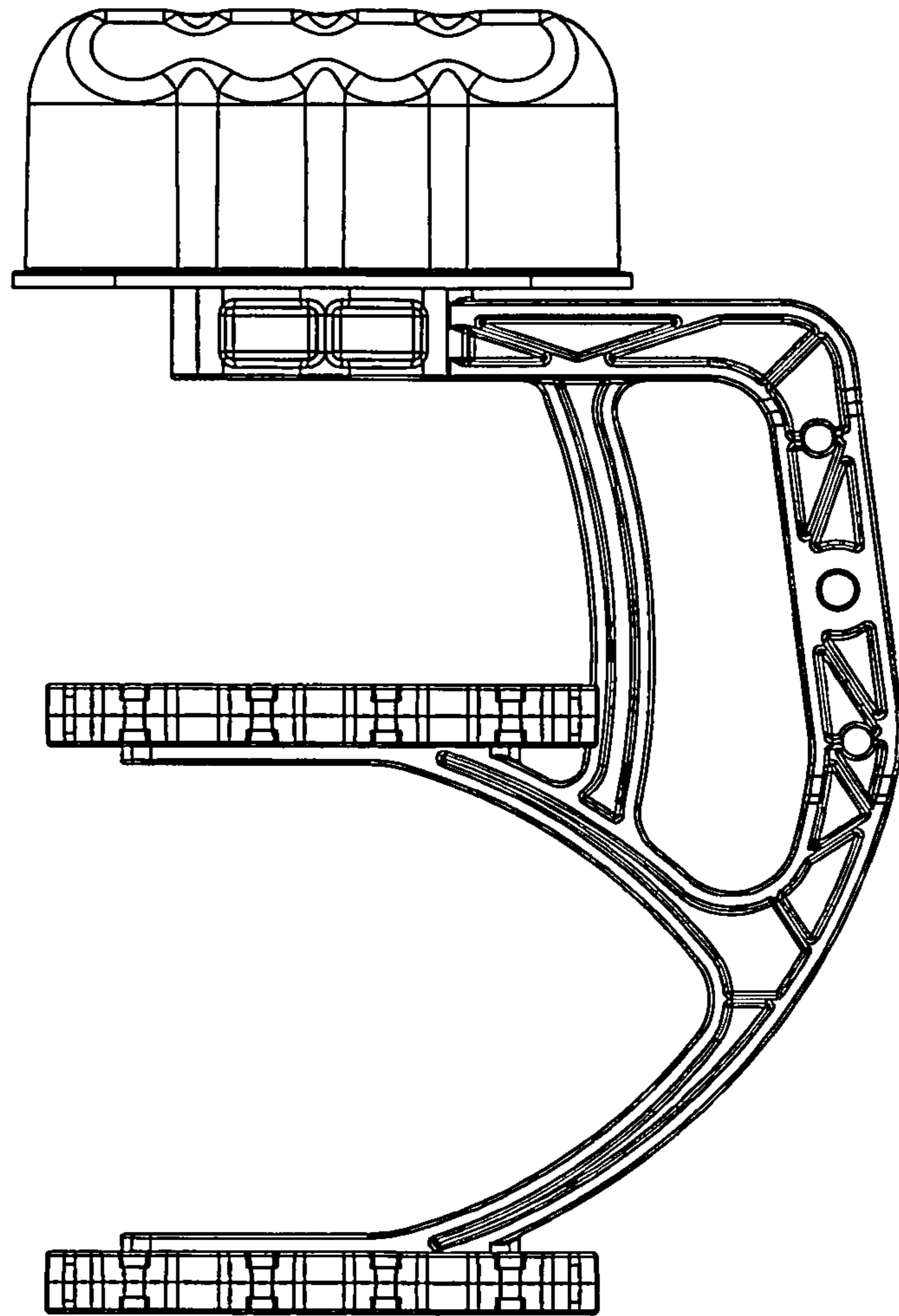


Fig. 6

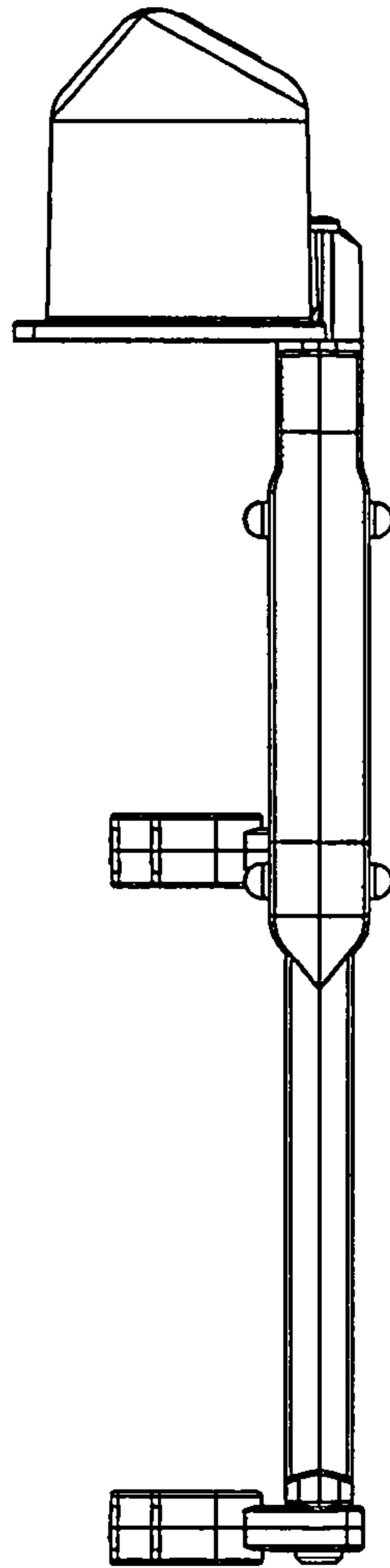


Fig. 7