

US00D715390S

(12) **United States Design Patent**
Brookshire et al.

(10) **Patent No.:** **US D715,390 S**
(45) **Date of Patent:** **** Oct. 14, 2014**

(54) **GOLF CLUB HEAD**
(71) Applicant: **Callaway Golf Company**, Carlsbad, CA (US)
(72) Inventors: **Catherine Brookshire**, Escondido, CA (US); **Matthew S. Hoffmeyer**, Carlsbad, CA (US)
(73) Assignee: **Callaway Golf Company**, Carlsbad, CA (US)
(**) Term: **14 Years**

(21) Appl. No.: **29/470,605**
(22) Filed: **Oct. 23, 2013**
(51) **LOC (10) Cl.** **21-02**
(52) **U.S. Cl.**
USPC **D21/759**
(58) **Field of Classification Search**
USPC D21/747-751; 473/324-331, 350
See application file for complete search history.

(56) **References Cited**
U.S. PATENT DOCUMENTS
D511,360 S * 11/2005 Kawami D21/747
D625,375 S * 10/2010 Kim et al. D21/748

D631,110 S * 1/2011 Kim et al. D21/747
D633,159 S * 2/2011 Holt et al. D21/747
D643,488 S * 8/2011 Holt et al. D21/747
D643,895 S 8/2011 Wieland

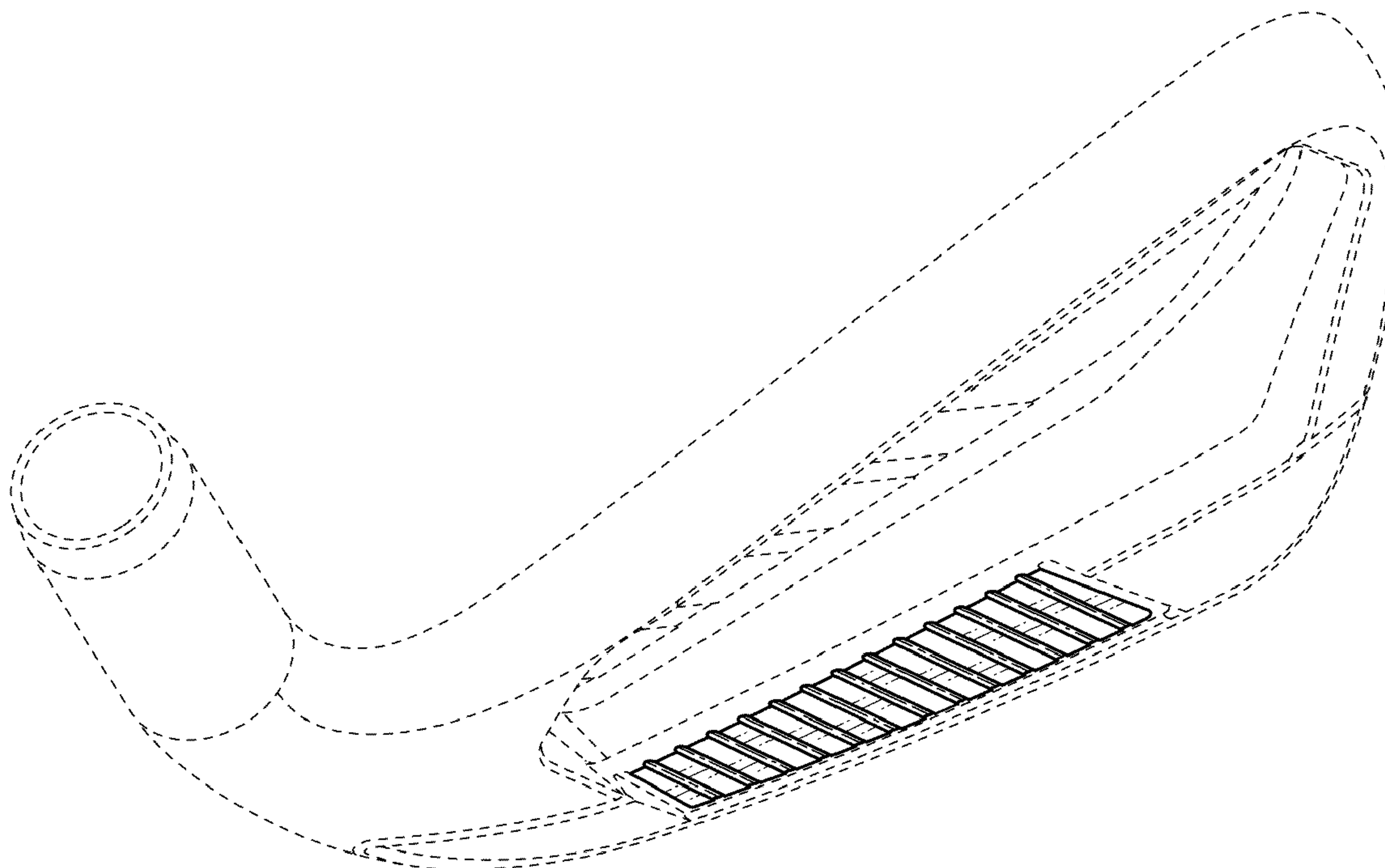
* cited by examiner
Primary Examiner — Mitchell Siegel
(74) *Attorney, Agent, or Firm* — Rebecca Hanovice; Michael A. Catania; Sonia Lari

(57) **CLAIM**
The ornamental design for a golf club head, as shown and described.

DESCRIPTION

FIG. 1 is a rear perspective view of the golf club head of the present invention;
FIG. 2 is a front elevational view thereof;
FIG. 3 is a rear elevational view thereof;
FIG. 4 right side elevational view thereof;
FIG. 5 is a left side elevational view thereof;
FIG. 6 is a top plan view thereof; and,
FIG. 7 is a bottom plan view thereof.
The broken lines are included for the purpose of illustration only and form no part of the claimed design.

1 Claim, 4 Drawing Sheets



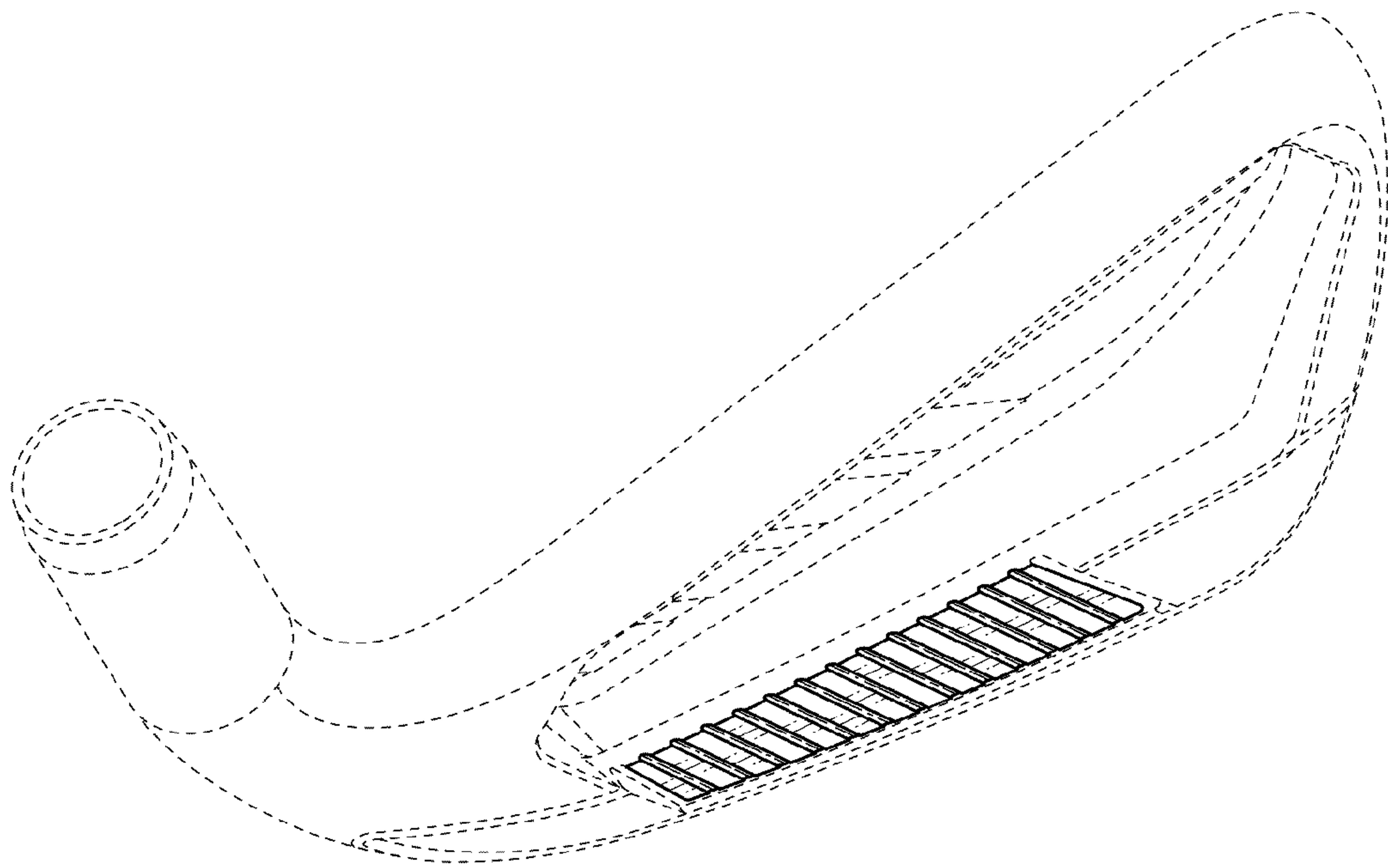


FIG. 1

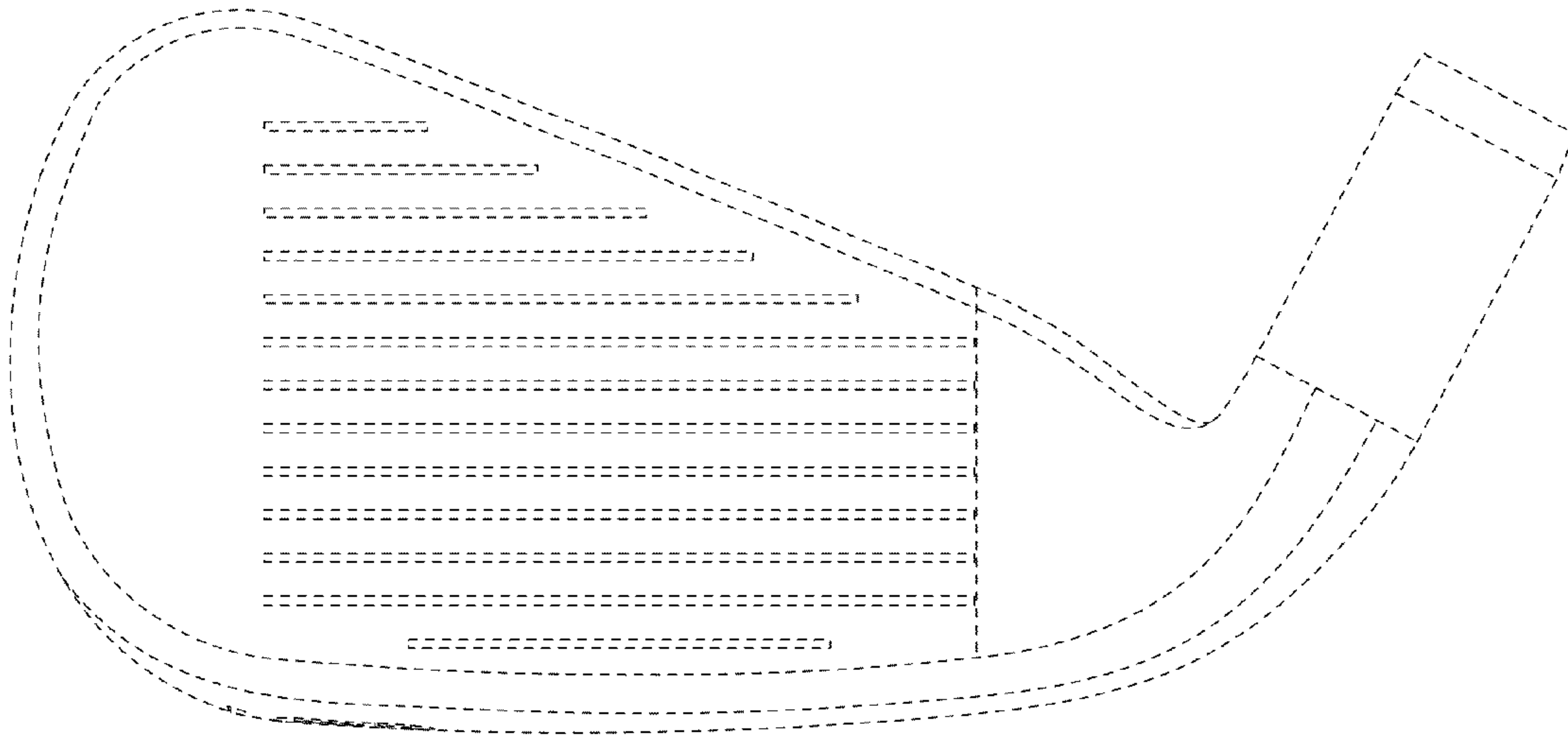


FIG. 2

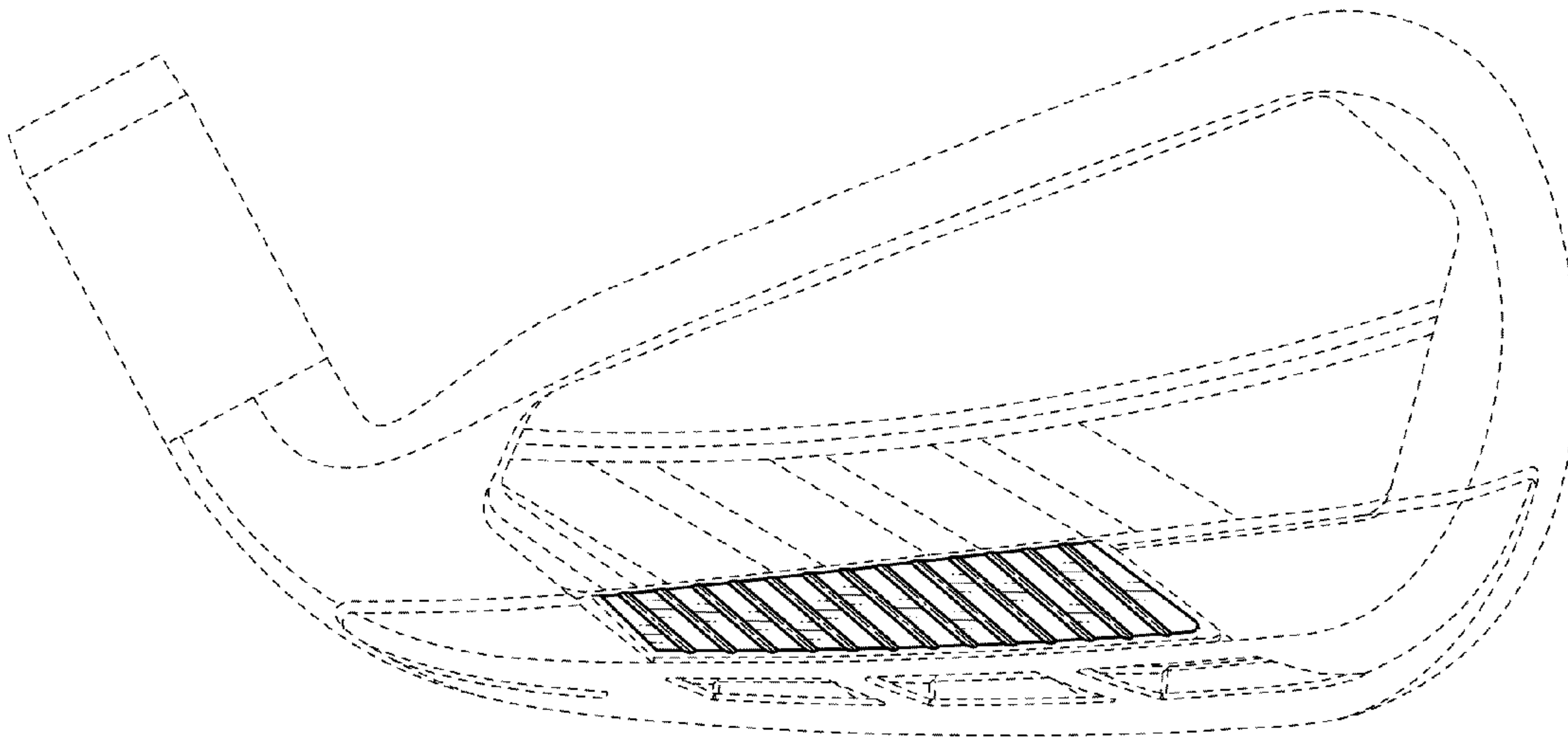


FIG. 3

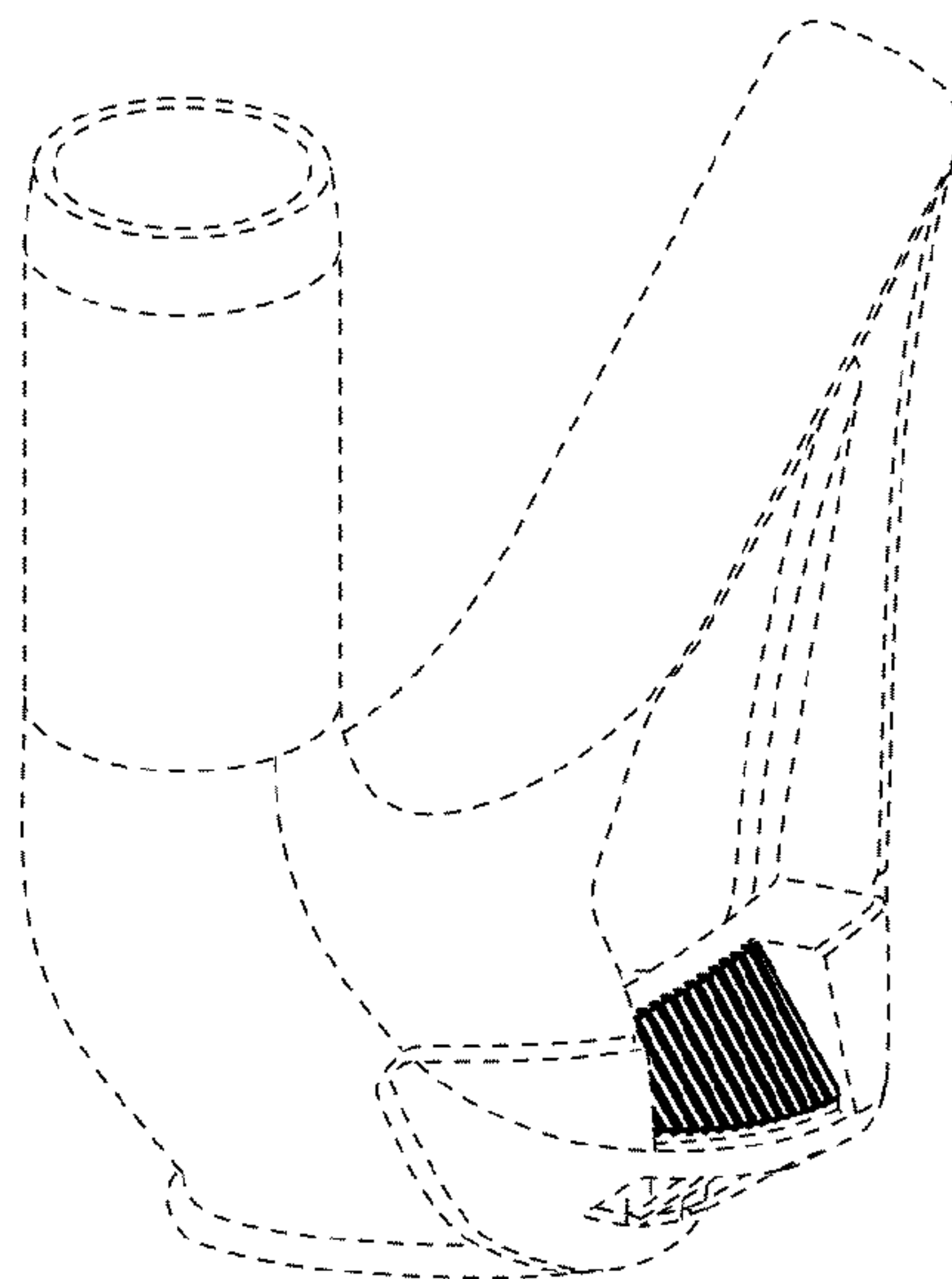


FIG. 4

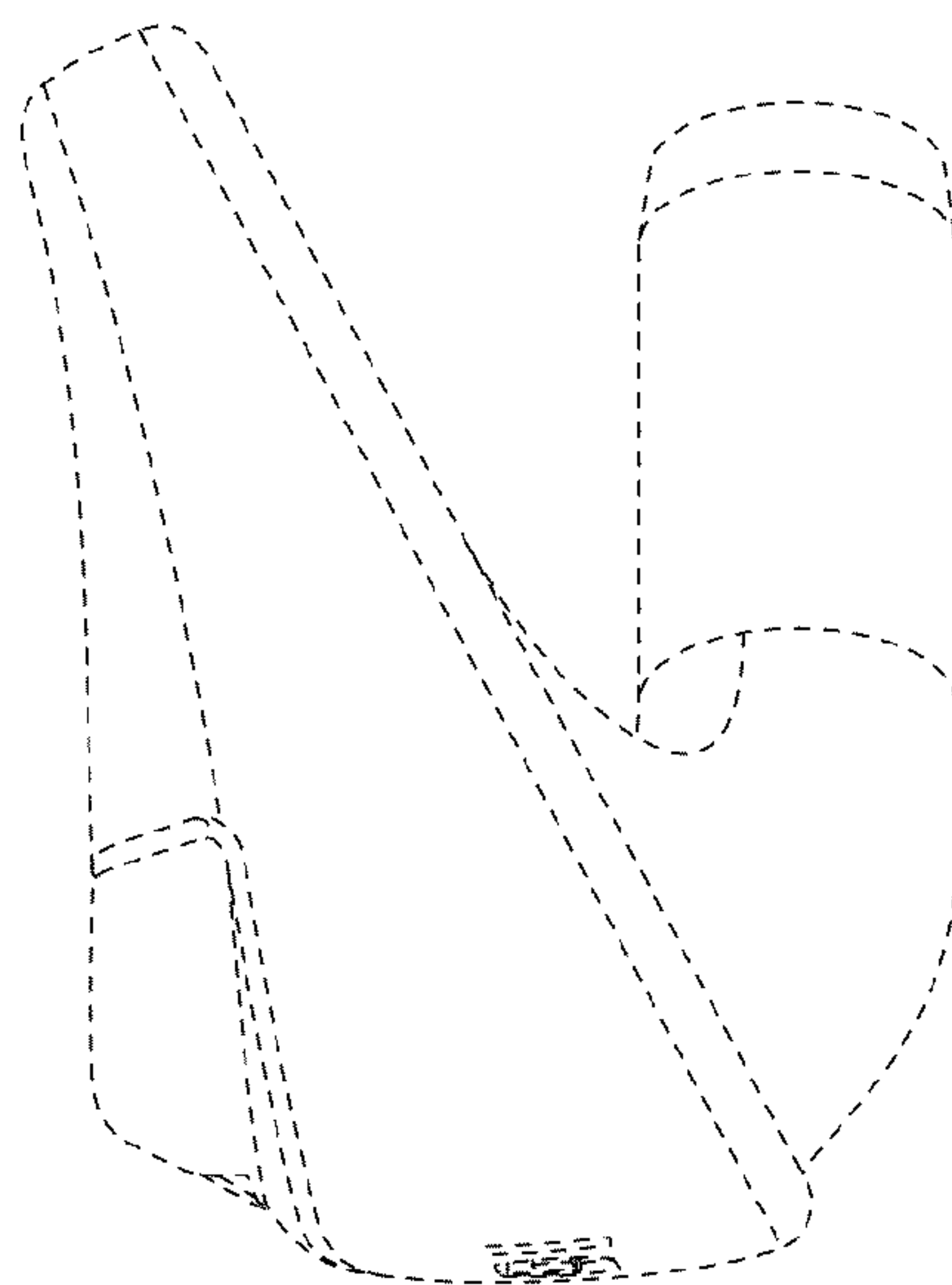


FIG. 5

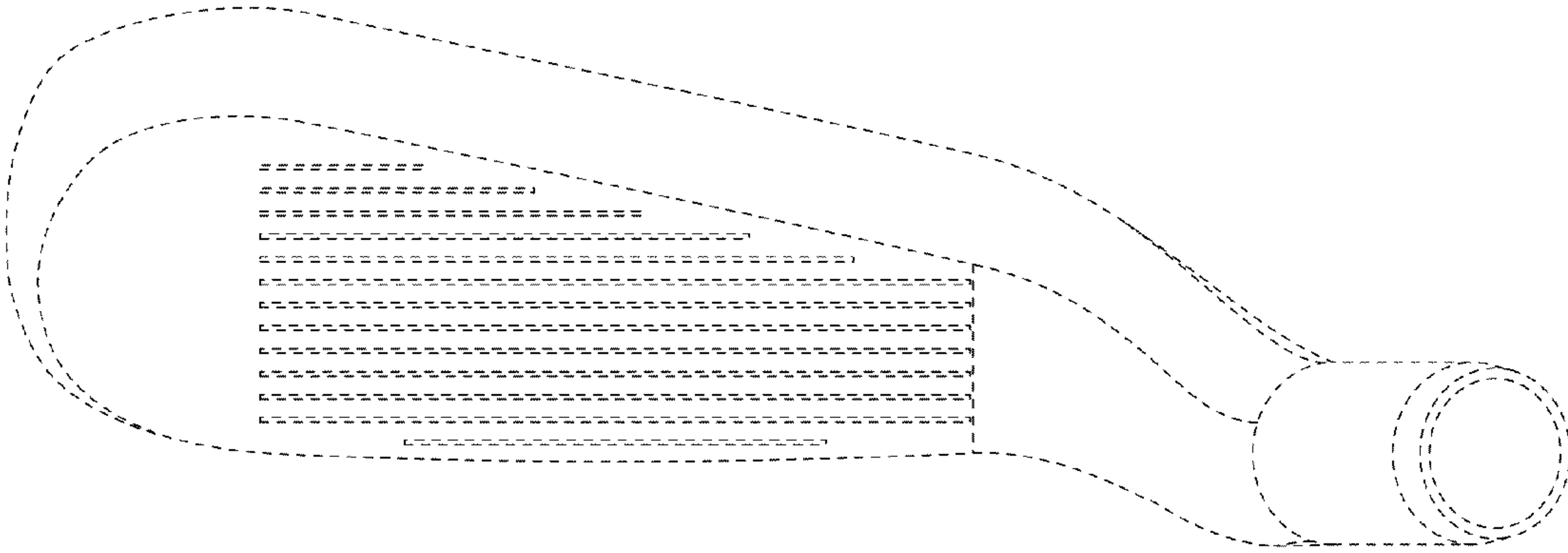


FIG. 6

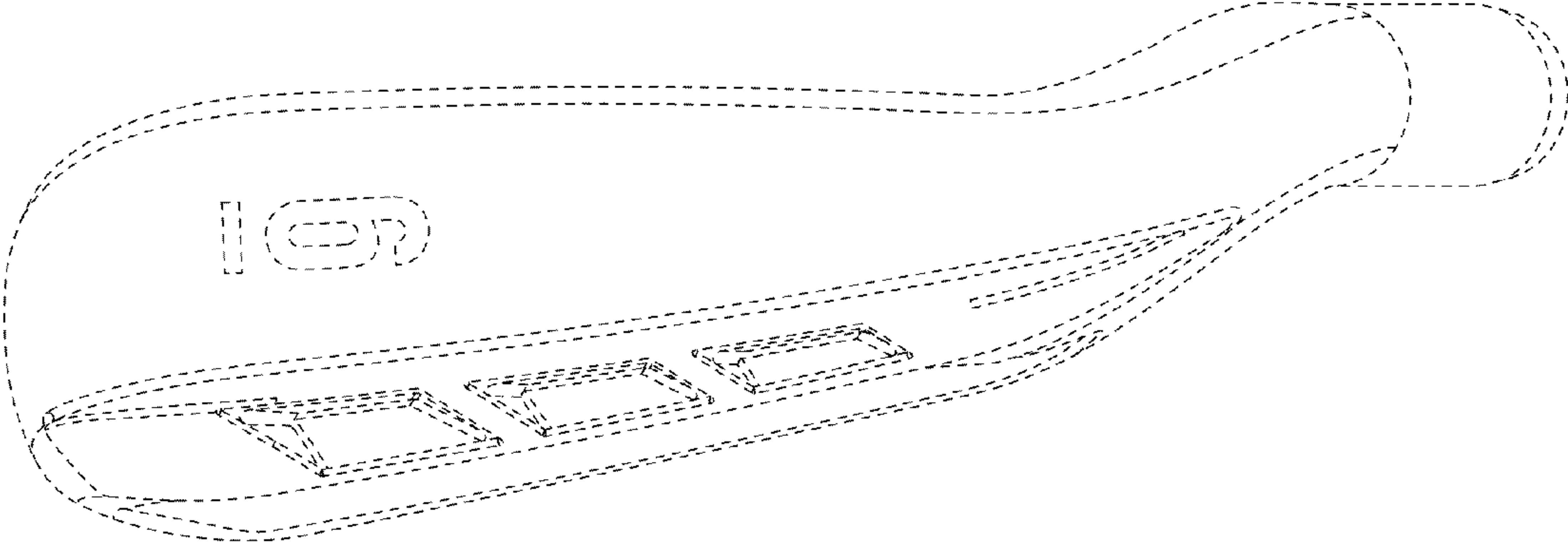


FIG. 7