



US00D715388S

(12) **United States Design Patent**
Serrano et al.

(10) **Patent No.:** **US D715,388 S**

(45) **Date of Patent:** **** Oct. 14, 2014**

(54) **GOLF CLUB HEAD**

(71) Applicant: **Karsten Manufacturing Corporation**,
Phoenix, AZ (US)

(72) Inventors: **Anthony D. Serrano**, Phoenix, AZ (US);
Xiaojian Chen, Phoenix, AZ (US)

(73) Assignee: **Karsten Manufacturing Corporation**,
Phoenix, AZ (US)

(**) Term: **14 Years**

(21) Appl. No.: **29/462,129**

(22) Filed: **Jul. 31, 2013**

(51) **LOC (10) Cl.** **21-02**

(52) **U.S. Cl.**
USPC **D21/743**

(58) **Field of Classification Search**
USPC D21/736-746; 473/324-331, 340-341,
473/251-256
See application file for complete search history.

(56) **References Cited**

U.S. PATENT DOCUMENTS

3,884,477	A	5/1975	Bianco	
4,030,766	A	6/1977	Derr	
D316,129	S	4/1991	Bryson	
D375,131	S	* 10/1996	Williams D21/743
D399,900	S	* 10/1998	Hogan D21/742
6,159,108	A	12/2000	De La Pena	

(Continued)

OTHER PUBLICATIONS

Stina Sternberg and Ashley Mayo, "2008 Spring Equipment Preview," Golf for Women, May-Jun. 2008 at 114.

(Continued)

Primary Examiner — Mitchell Siegel

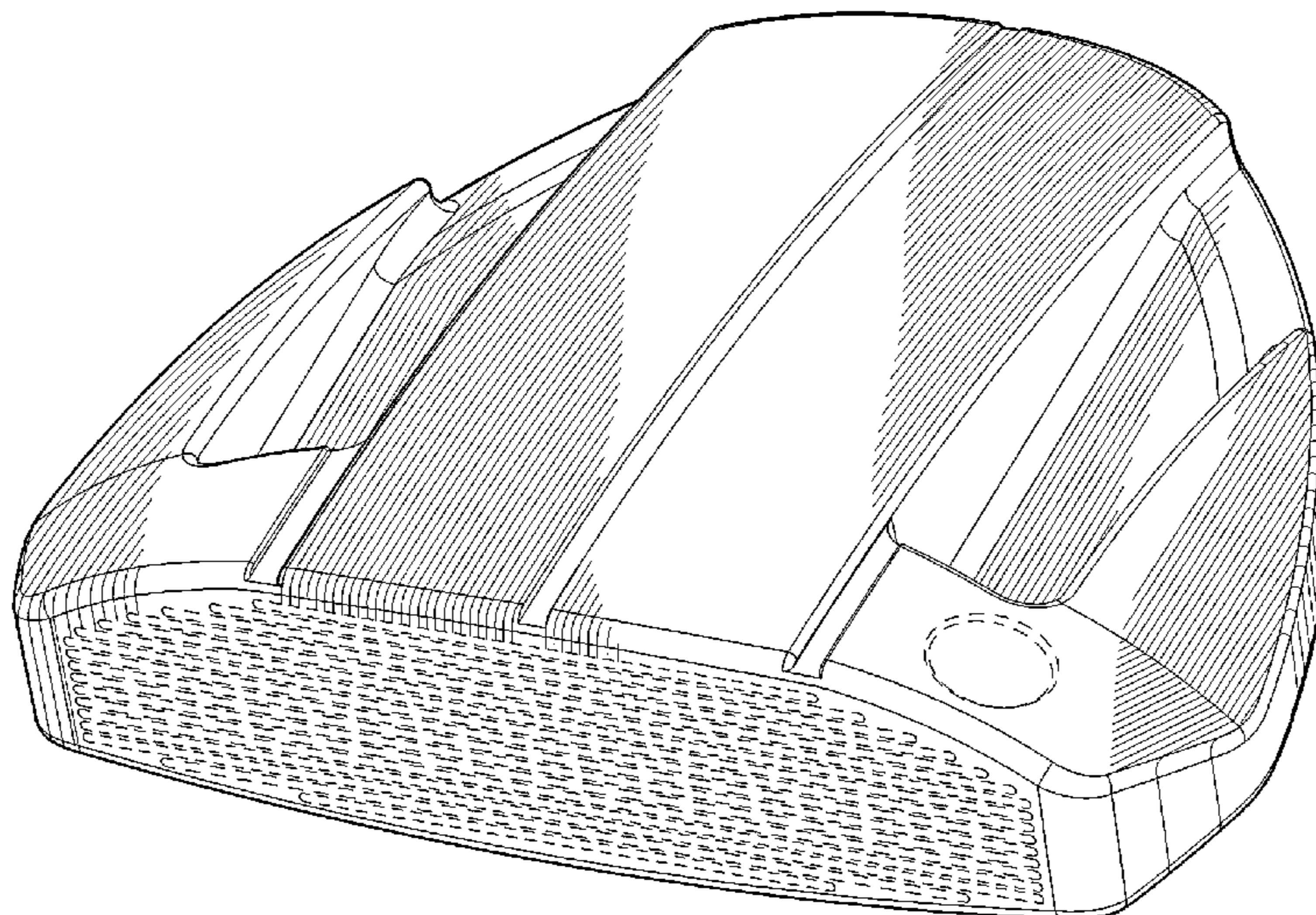
(57) **CLAIM**

The ornamental design for a golf club head, as shown and described.

DESCRIPTION

FIG. 1 is a top perspective view of a golf club head;
 FIG. 2 is a bottom perspective view of the golf club head of FIG. 1;
 FIG. 3 is a front elevational view of the golf club head of FIG. 1;
 FIG. 4 is a rear elevational view of the golf club head of FIG. 1;
 FIG. 5 is a top view of the golf club head of FIG. 1;
 FIG. 6 is a bottom view of the golf club head of FIG. 1;
 FIG. 7 is a left side view of the golf club head of FIG. 1; and
 FIG. 8 is a right side view of the golf club head of FIG. 1.
 FIG. 9 is a top perspective view of a second embodiment of a golf club head;
 FIG. 10 is a bottom perspective view of the golf club head of FIG. 9;
 FIG. 11 is a front elevational view of the golf club head of FIG. 9;
 FIG. 12 is a rear elevational view of the golf club head of FIG. 9;
 FIG. 13 is a top view of the golf club head of FIG. 9;
 FIG. 14 is a bottom view of the golf club head of FIG. 9;
 FIG. 15 is a left side view of the golf club head of FIG. 9; and
 FIG. 16 is a right side view of the golf club head of FIG. 9.
 The broken lines shown in one or more of the figures are for illustrative purposes only and form no part of the claimed design.

1 Claim, 12 Drawing Sheets



(56)

References Cited

U.S. PATENT DOCUMENTS

6,379,259 B1 4/2002 Opie
 D488,526 S 4/2004 Souza
 D496,417 S * 9/2004 Tang D21/738
 D500,109 S 12/2004 Solheim
 D500,110 S 12/2004 Solheim
 6,837,801 B1 1/2005 Souza
 6,878,071 B1 4/2005 Schwieger
 6,893,355 B2 5/2005 Souza
 6,902,496 B2 6/2005 Solheim
 D507,612 S 7/2005 Souza
 6,926,615 B1 8/2005 Souza
 6,960,140 B2 11/2005 Solheim
 6,966,845 B2 11/2005 Solheim
 D520,584 S 5/2006 Karlson
 D521,582 S 5/2006 Souza
 7,052,411 B2 5/2006 Solheim
 D522,598 S 6/2006 Solheim
 7,077,758 B2 7/2006 Rohrer
 7,086,957 B2 8/2006 Solheim
 D527,777 S 9/2006 Solheim
 D529,108 S 9/2006 Stites
 D533,243 S 12/2006 Fife, Jr.
 7,235,021 B2 6/2007 Solheim
 D548,295 S 8/2007 Jertson
 7,255,650 B2 8/2007 Bryant
 D552,197 S 10/2007 Wells
 D565,137 S 3/2008 Oldknow
 D569,460 S * 5/2008 Walker et al. D21/743
 D571,879 S * 6/2008 Jones et al. D21/736
 D574,907 S * 8/2008 Jones et al. D21/736
 D581,473 S 11/2008 Thomas

D583,003 S 12/2008 Solheim
 D587,325 S 2/2009 Solheim
 D594,073 S * 6/2009 Kadoya D21/744
 D600,760 S 9/2009 Serrano
 D600,761 S 9/2009 Solheim
 D600,762 S 9/2009 Serrano
 D607,950 S 1/2010 Souza
 D621,458 S 8/2010 Serrano
 D621,460 S * 8/2010 Serrano et al. D21/742
 D621,461 S * 8/2010 Serrano et al. D21/742
 D621,462 S 8/2010 Serrano
 D621,891 S 8/2010 Serrano
 7,803,066 B2 9/2010 Solheim
 D638,891 S 5/2011 Nicolette
 D643,080 S 8/2011 Serrano
 D643,485 S * 8/2011 Nicolette et al. D21/736
 D643,486 S 8/2011 Serrano
 D643,487 S 8/2011 Serrano
 8,100,779 B2 1/2012 Solheim
 D653,718 S * 2/2012 Stokke et al. D21/743
 8,109,838 B2 2/2012 Solheim
 D664,617 S 7/2012 Serrano
 2005/0170904 A1 8/2005 Smeeth
 2006/0094533 A1 5/2006 Warren
 2006/0166755 A1 7/2006 Brown
 2007/0191135 A1 8/2007 Nilsson
 2010/0227704 A1 9/2010 Souza

OTHER PUBLICATIONS

Stina Sternberg, "Hot List 2008—Putters," Golf Digest Feb. 2008 at 158-169 also available at: <http://www.golfdigest.com/equipment/ratings>.

* cited by examiner

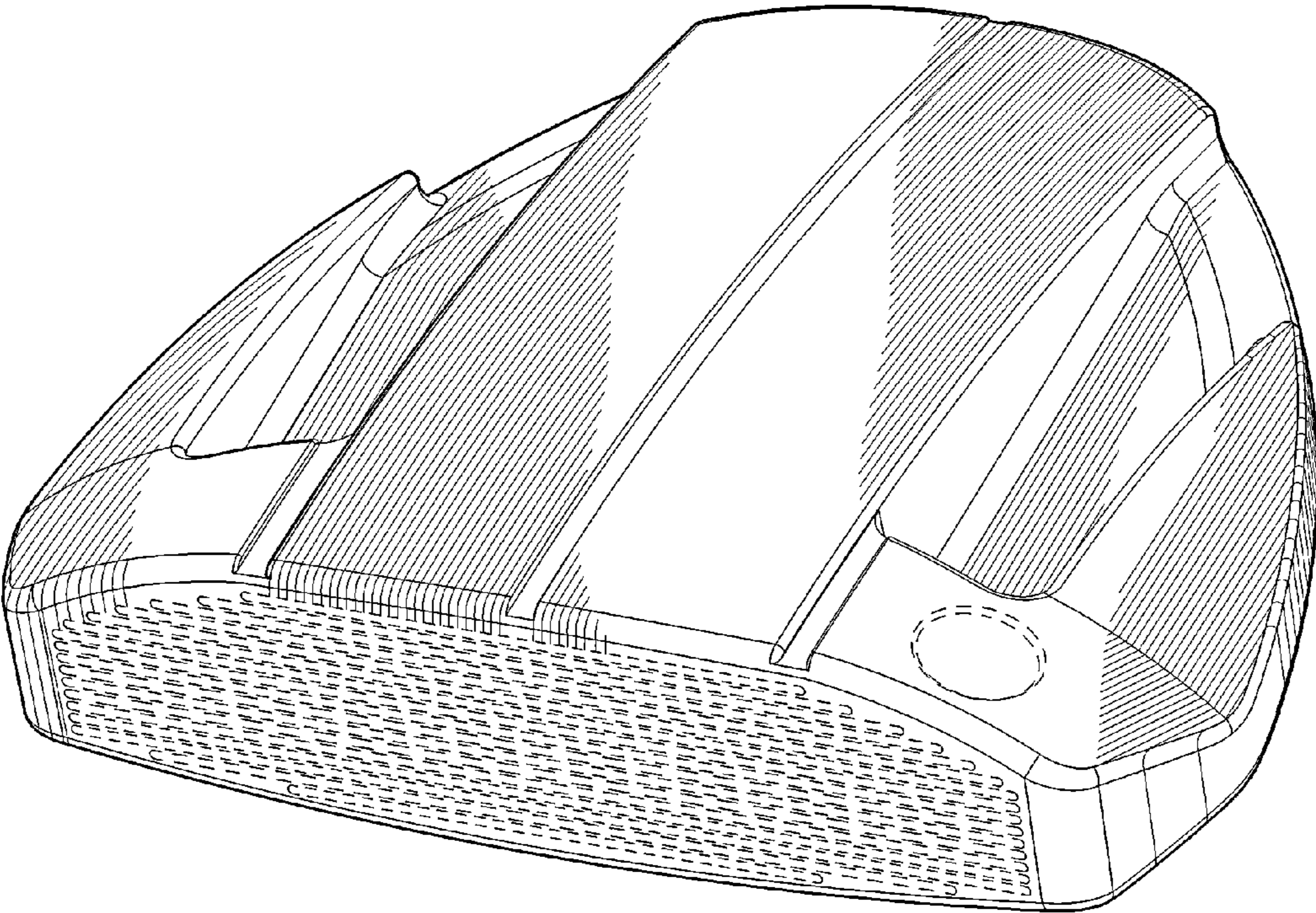


Fig. 1

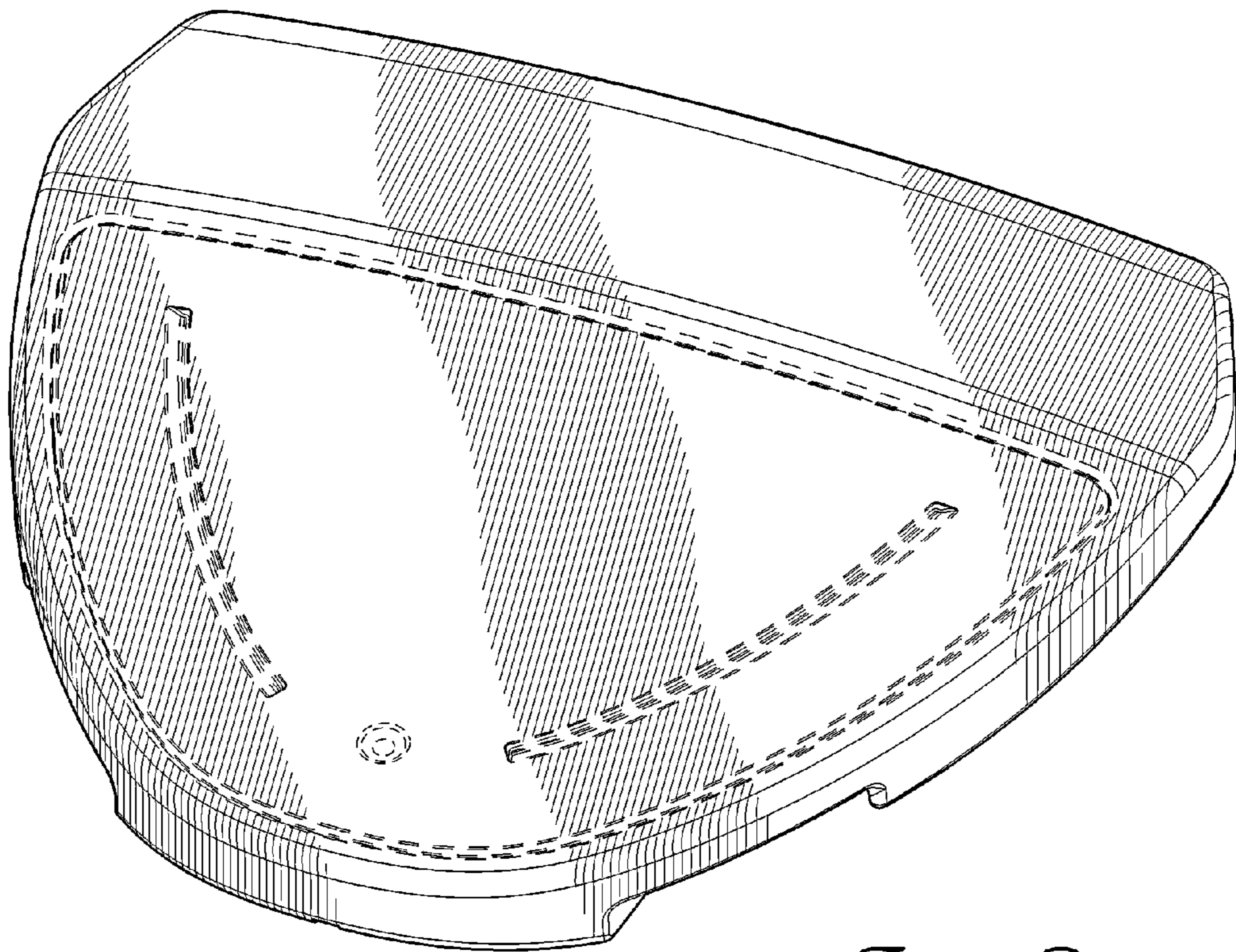


Fig. 2

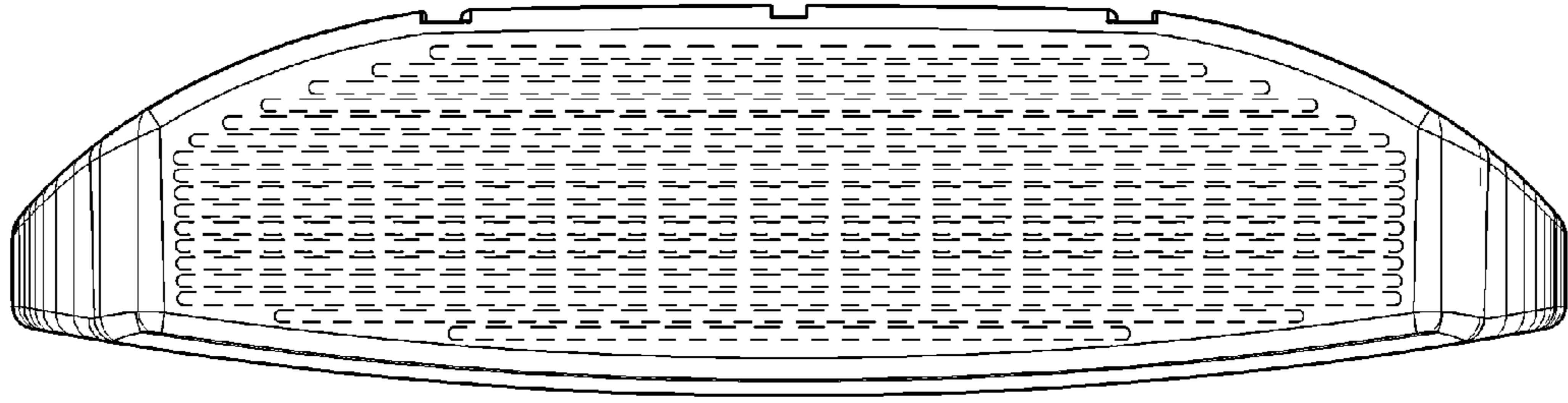


Fig. 3

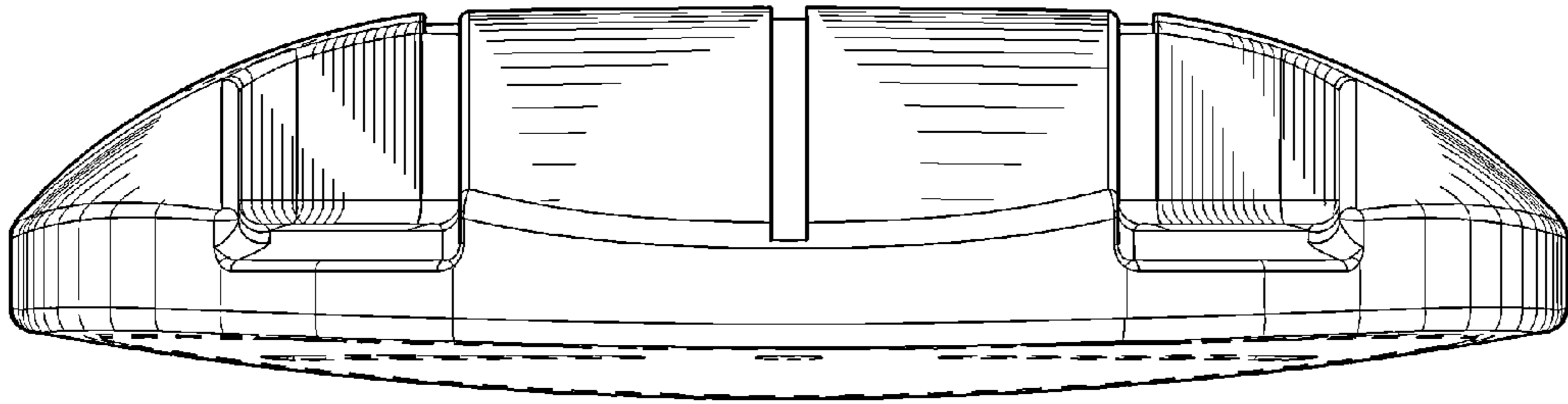


Fig. 4

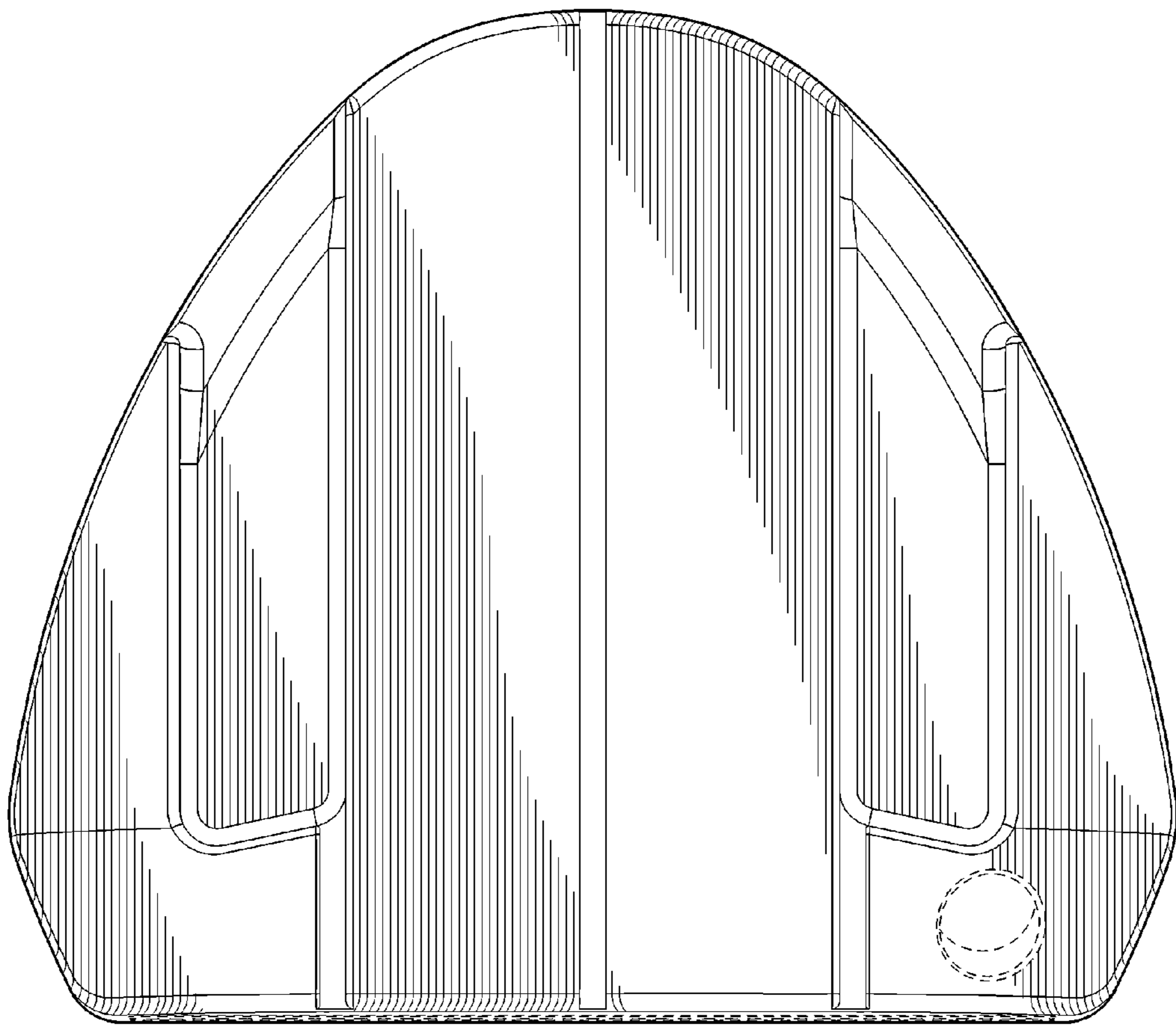


Fig. 5

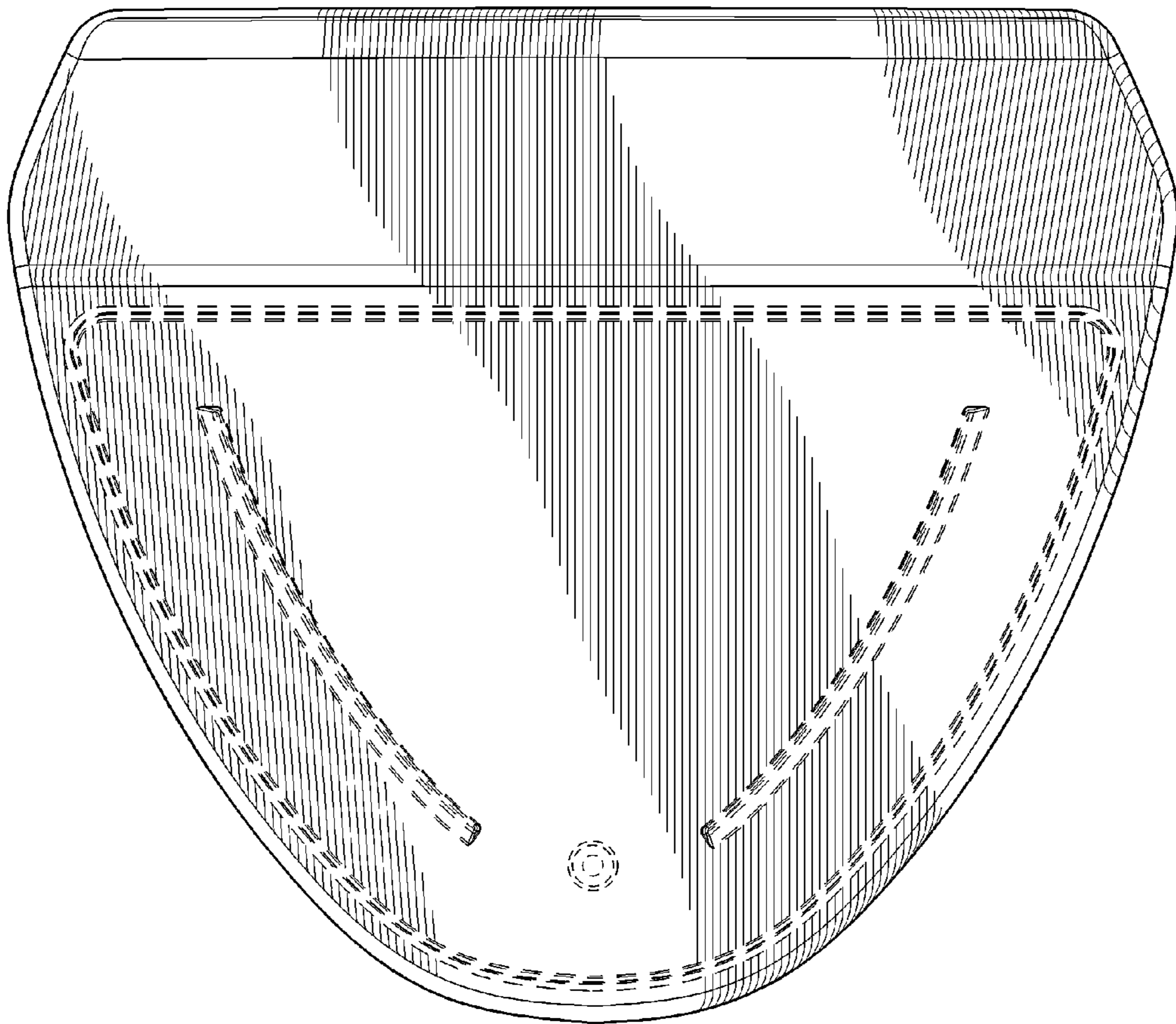


Fig. 6

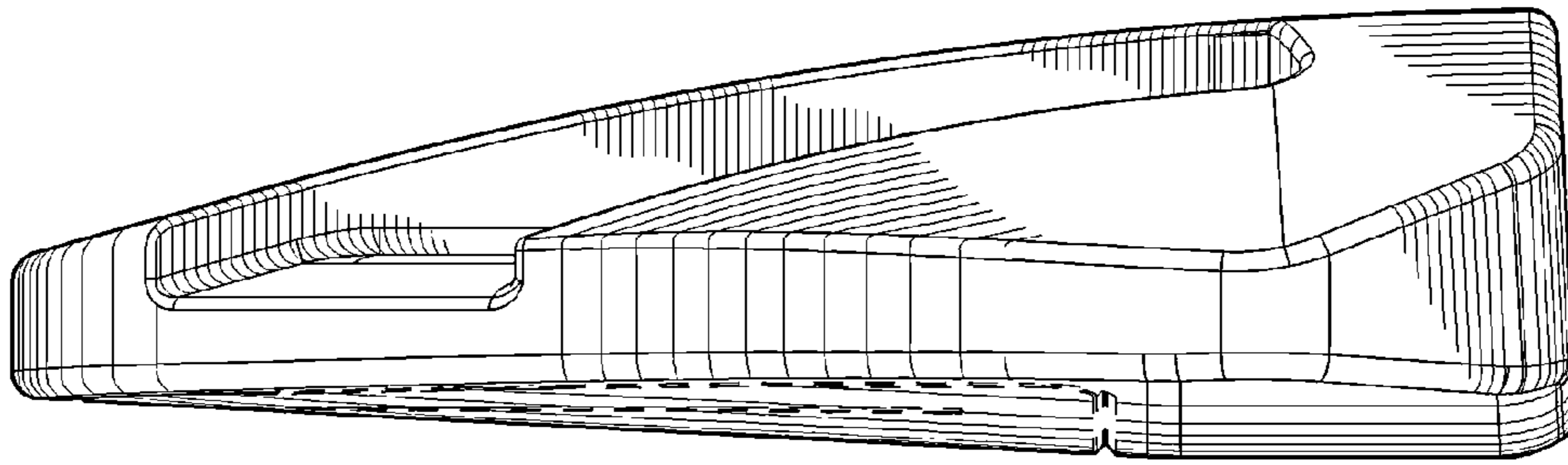


Fig. 7

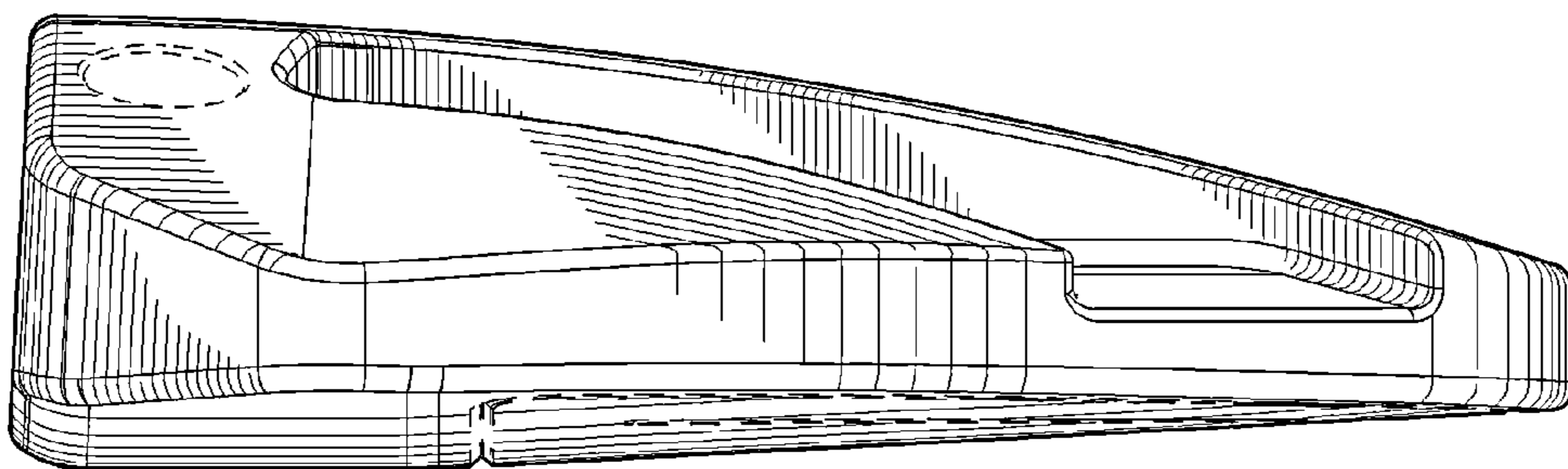


Fig. 8

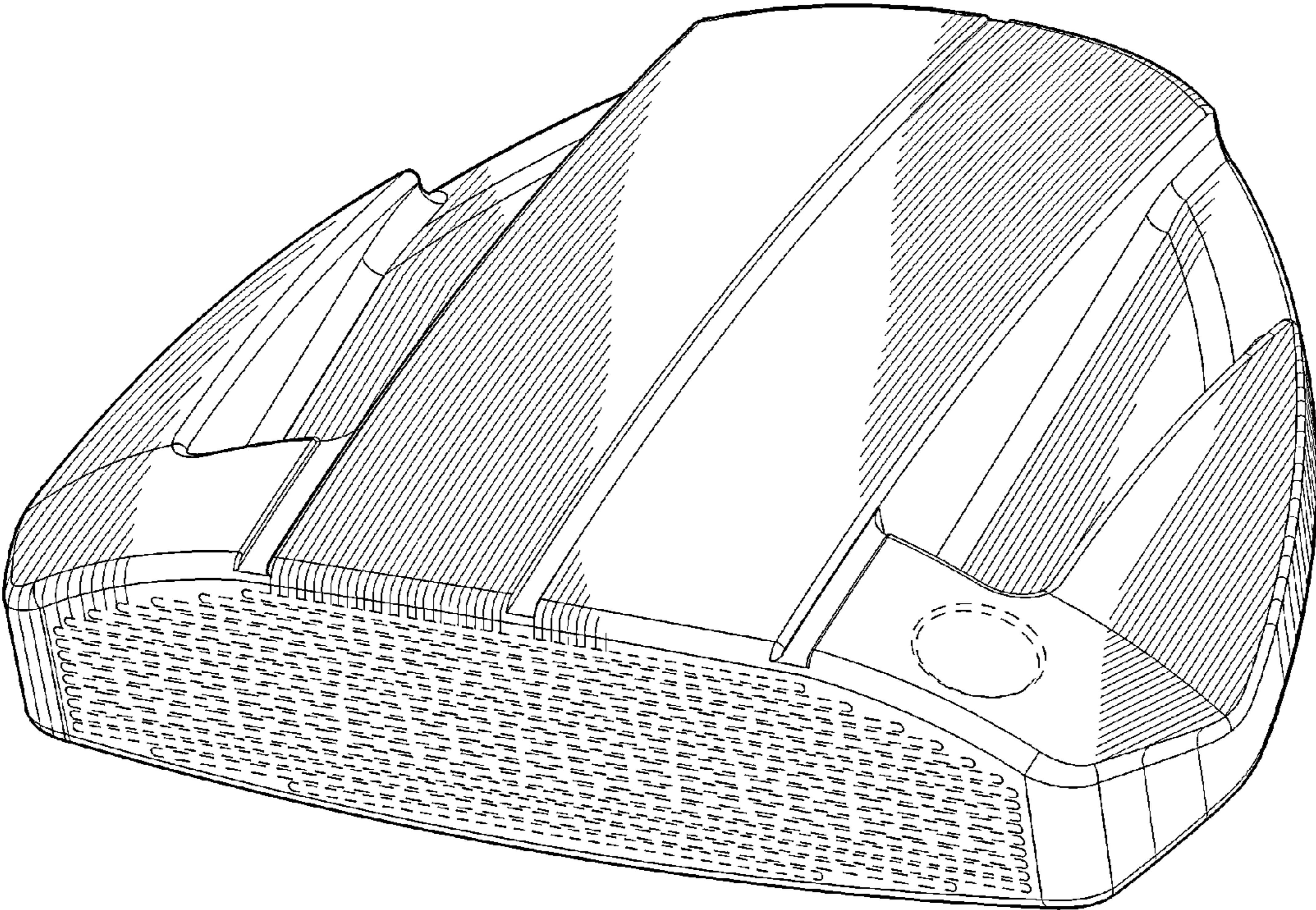


Fig. 9

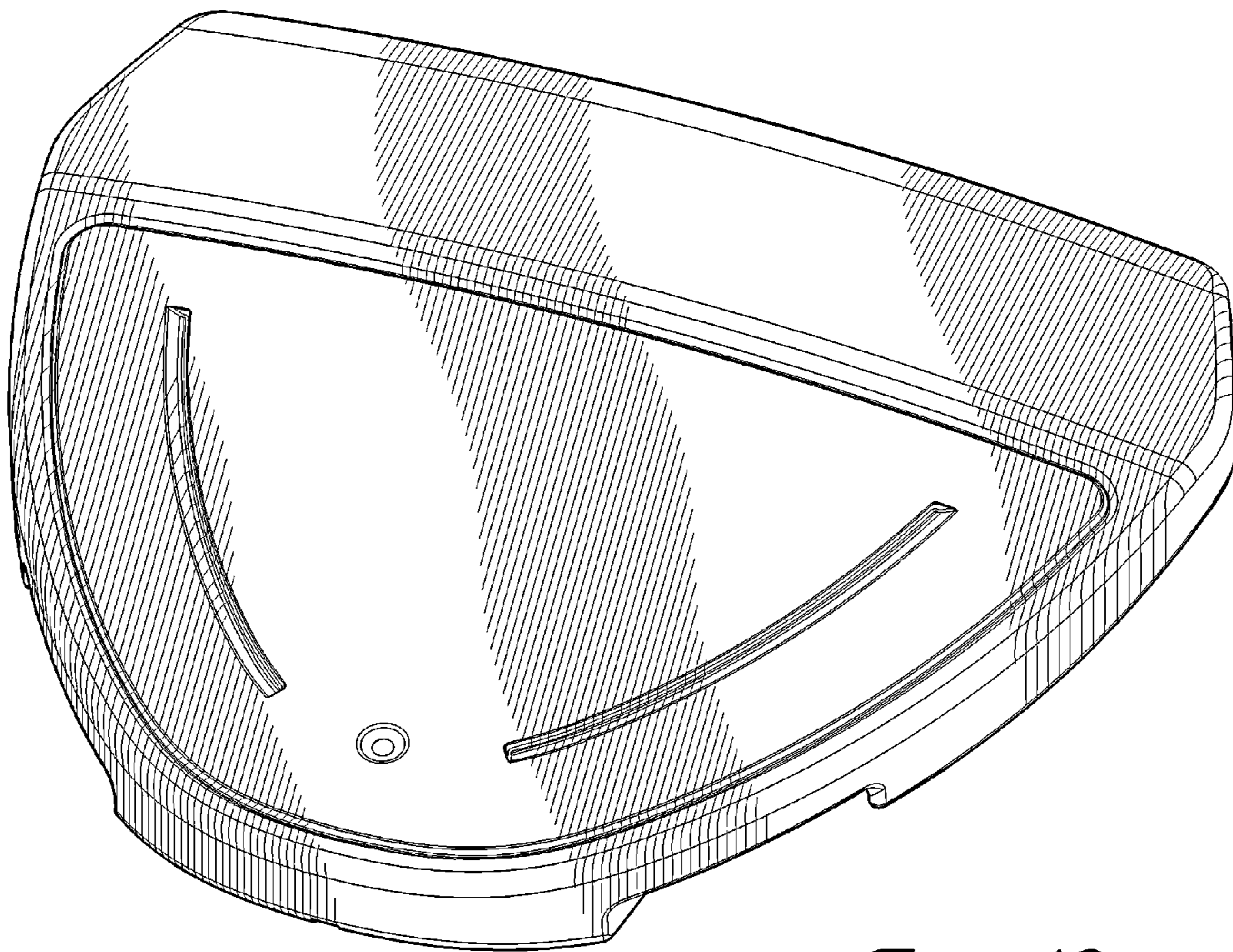


Fig. 10

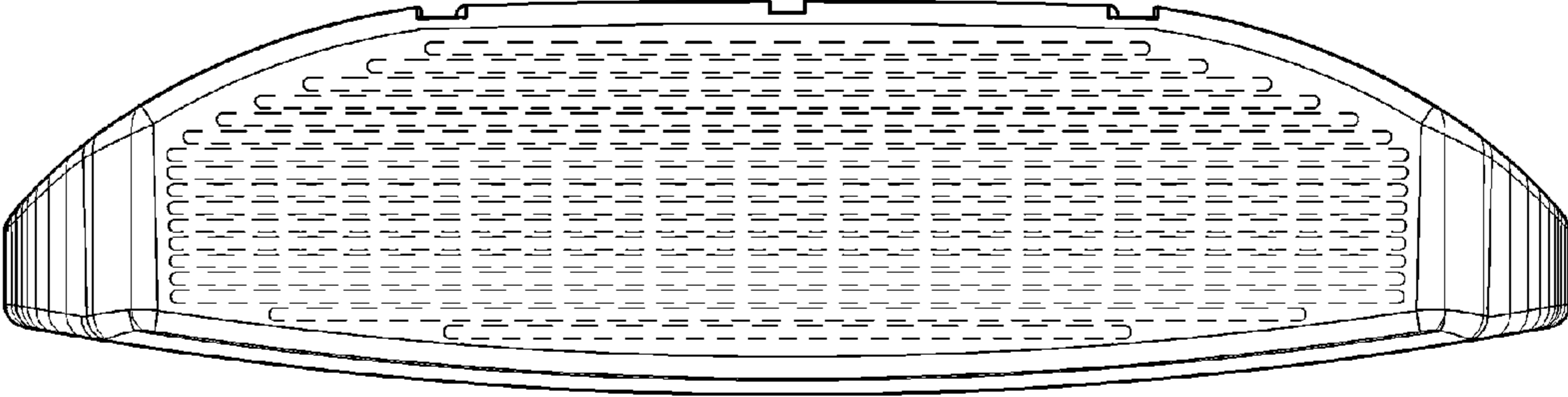


Fig. 11

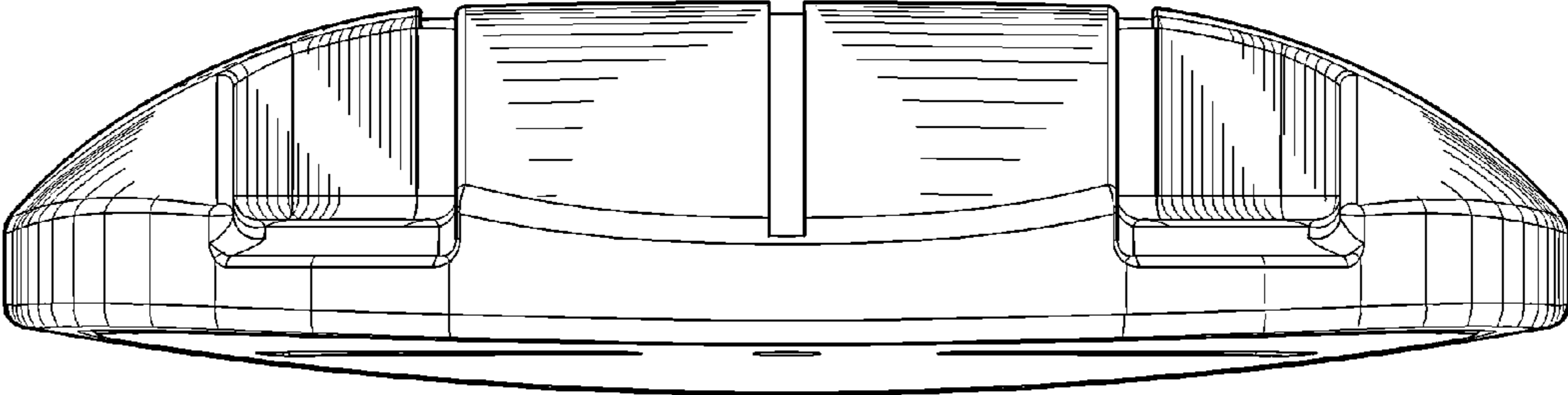


Fig. 12

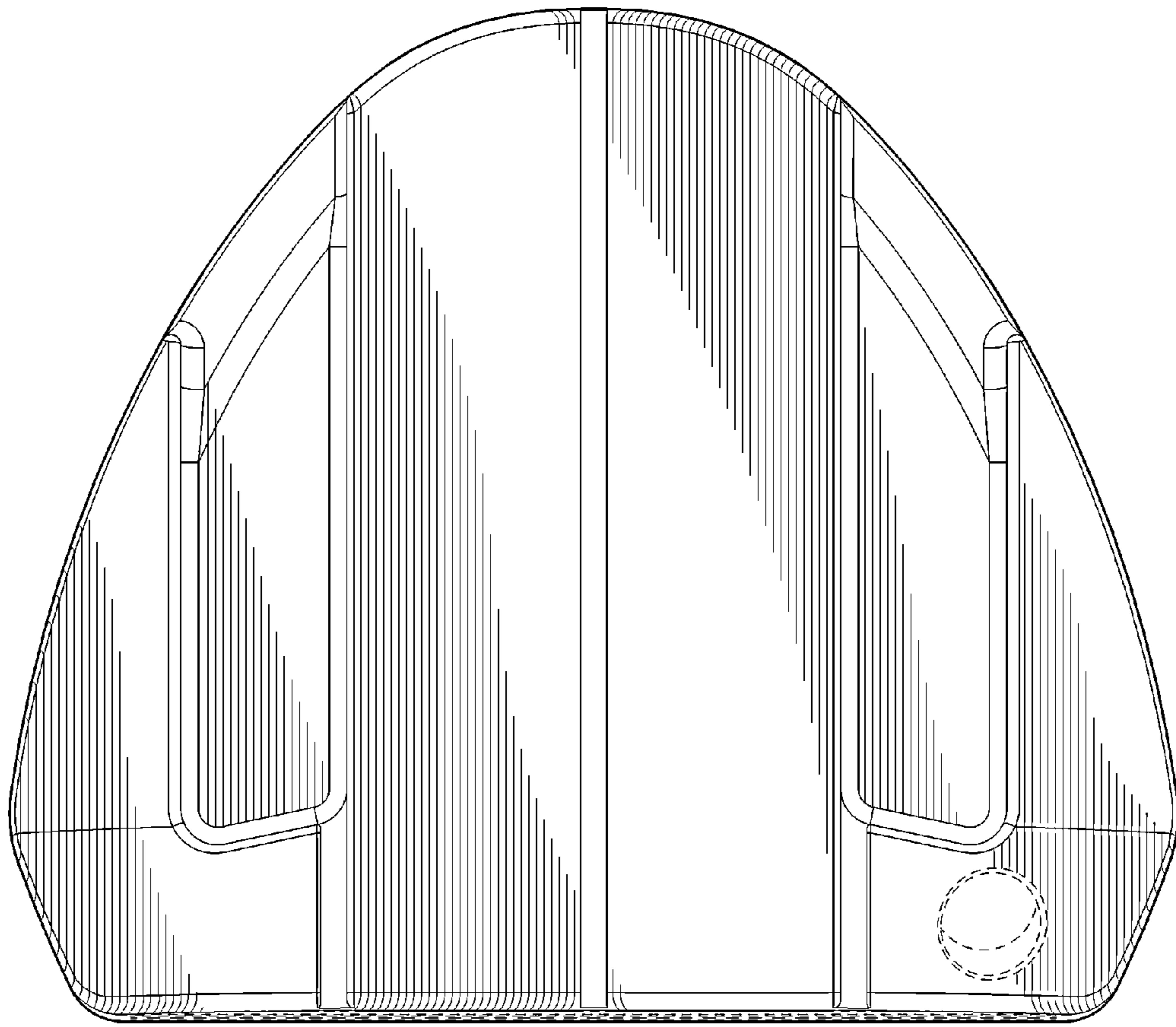


Fig. 13

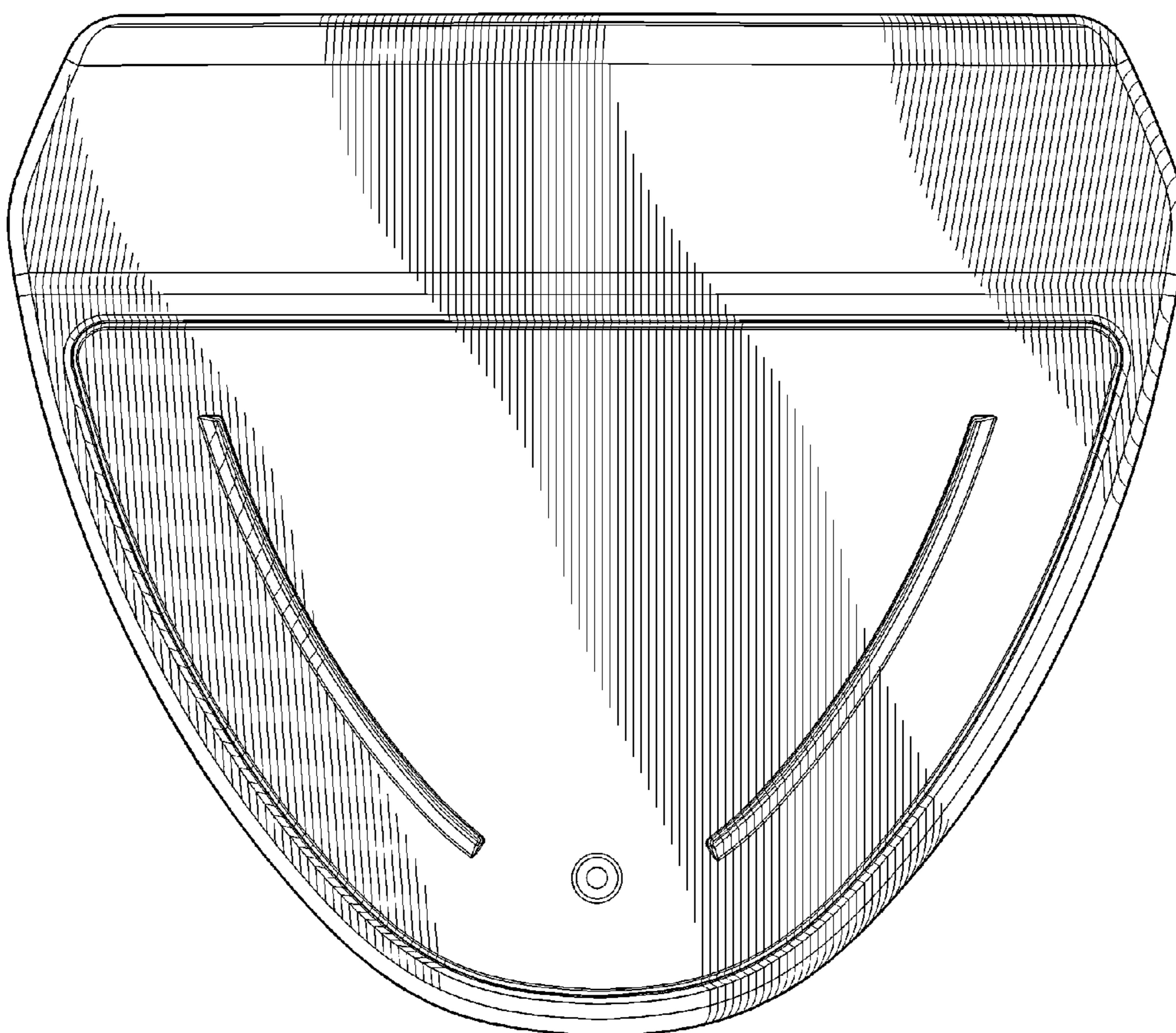


Fig. 14

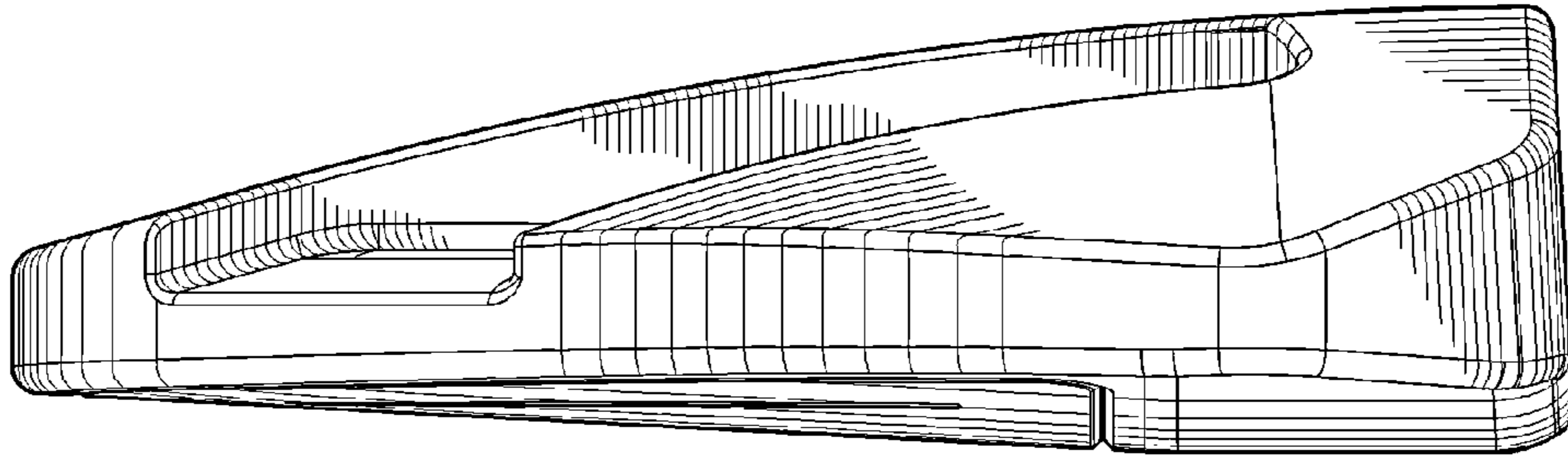


Fig. 15

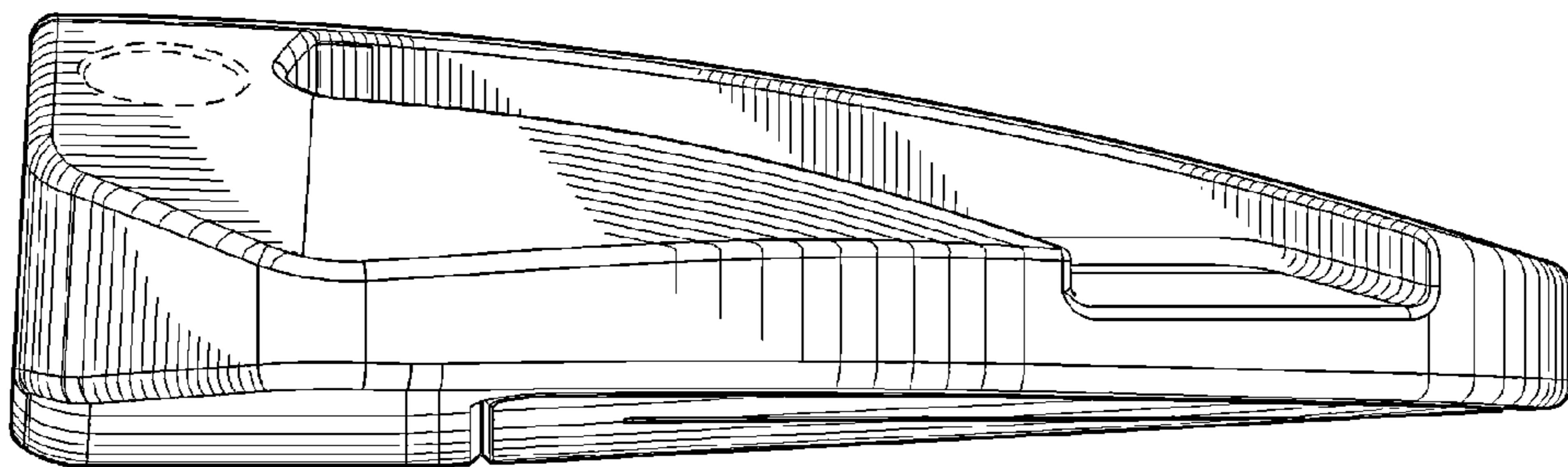


Fig. 16