



US00D715387S

(12) **United States Design Patent**
Pfaff et al.

(10) **Patent No.:** **US D715,387 S**

(45) **Date of Patent:** **** Oct. 14, 2014**

(54) **GOLF PUTTER HEAD WITH TUBULAR
HOLLOWED AREA FOR SPRING LOADED
PIN**

(71) Applicants: **Wayne K Pfaff**, Irving, TX (US); **David
W Pfaff**, Irving, TX (US)

(72) Inventors: **Wayne K Pfaff**, Irving, TX (US); **David
W Pfaff**, Irving, TX (US)

(73) Assignee: **Plastronics Socket Partners, Ltd.**,
Irving, TX (US)

(**) Term: **14 Years**

(21) Appl. No.: **29/486,509**

(22) Filed: **Mar. 31, 2014**

(51) **LOC (10) Cl.** **21-02**

(52) **U.S. Cl.**
USPC **D21/736**

(58) **Field of Classification Search**
CPC A63B 53/0487; A63B 53/065
USPC D21/736-746, 759; 473/324-331,
473/340-341, 251-256
See application file for complete search history.

(56) **References Cited**

U.S. PATENT DOCUMENTS

D185,522 S * 6/1959 Whitney D21/741
3,758,115 A * 9/1973 Hoglund 473/255
D324,250 S * 2/1992 Magness D21/741

5,131,660 A * 7/1992 Marocco 473/220
D354,535 S * 1/1995 Queen D21/743
D385,321 S * 10/1997 Quattrochi D21/741
5,700,207 A * 12/1997 Guthrie et al. 473/313
D410,055 S * 5/1999 Loop D21/736
D497,401 S * 10/2004 Zimmerman D21/736
D497,402 S * 10/2004 Moore D21/736
D500,539 S * 1/2005 Holloway D21/736
D502,518 S * 3/2005 Smart D21/736
D509,865 S * 9/2005 Blancher D21/736
D513,049 S * 12/2005 Hendrick D21/743
D516,149 S * 2/2006 Gibson D21/742
D617,857 S * 6/2010 Sones D21/746
D672,829 S * 12/2012 Pfaff et al. D21/736

* cited by examiner

Primary Examiner — Mitchell Siegel

(74) *Attorney, Agent, or Firm* — Mark W Handley

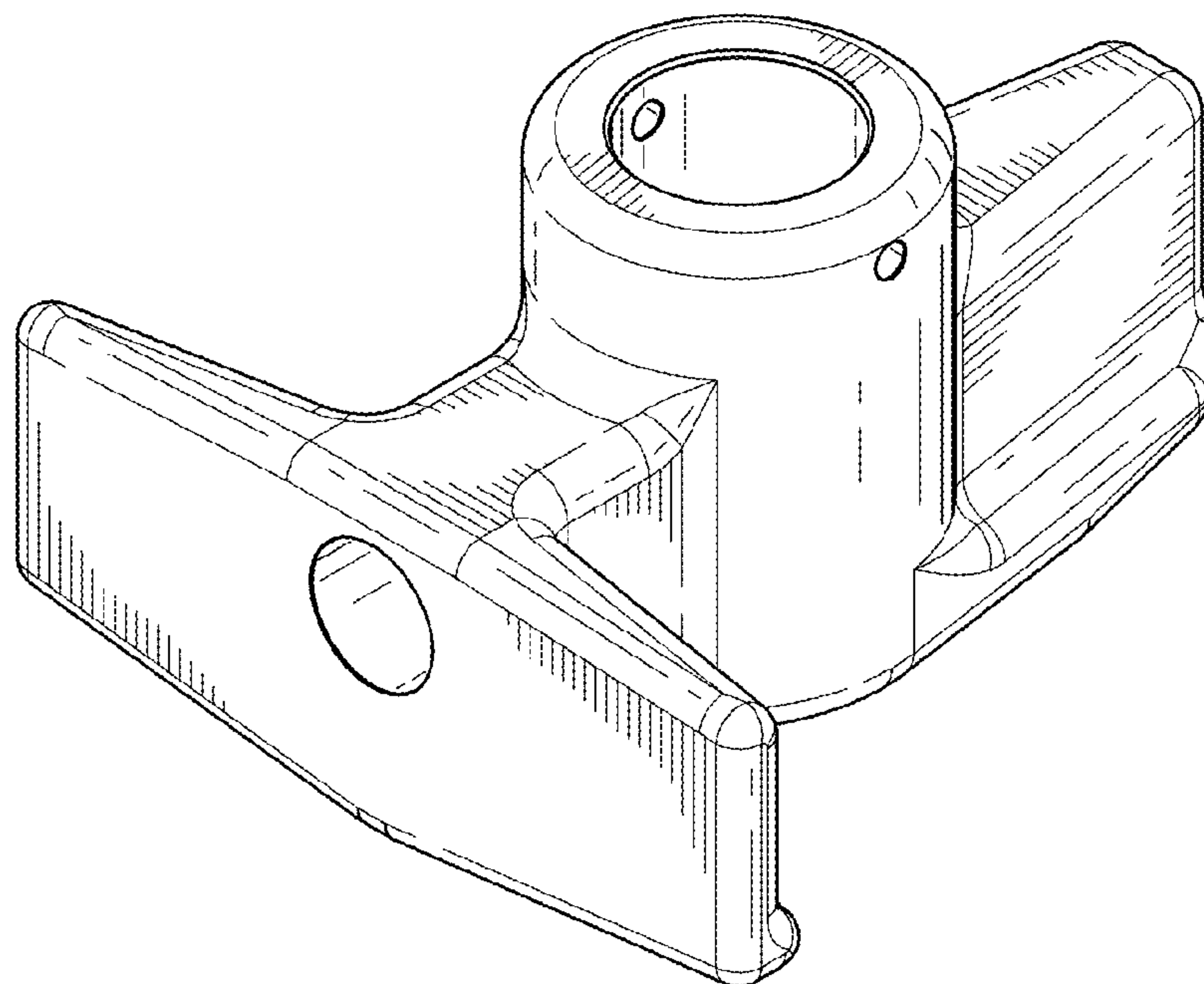
(57) **CLAIM**

The ornamental design for a golf putter head with tubular hollowed area for spring loaded pin, as shown and described.

DESCRIPTION

FIG. 1 is a perspective view of a golf putter head embodying our design;
FIG. 2 is a front view of the golf putter head;
FIG. 3 is a rear view of the golf putter head;
FIG. 4 is a right side view of the golf putter head;
FIG. 5 is a left side view of the golf putter head;
FIG. 6 is a top view of the golf putter head; and,
FIG. 7 is a bottom view of the golf putter head.

1 Claim, 4 Drawing Sheets



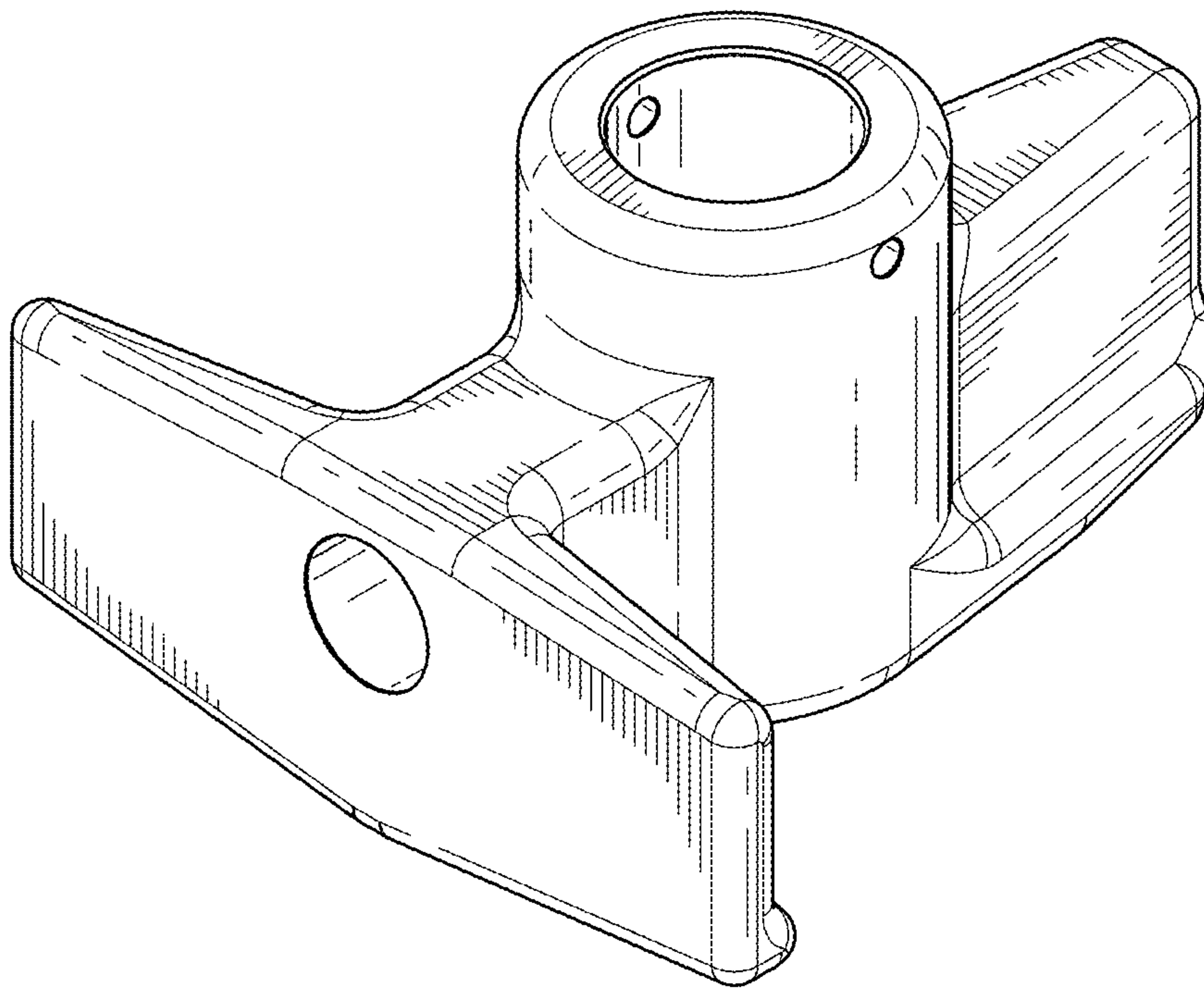


FIG. 1

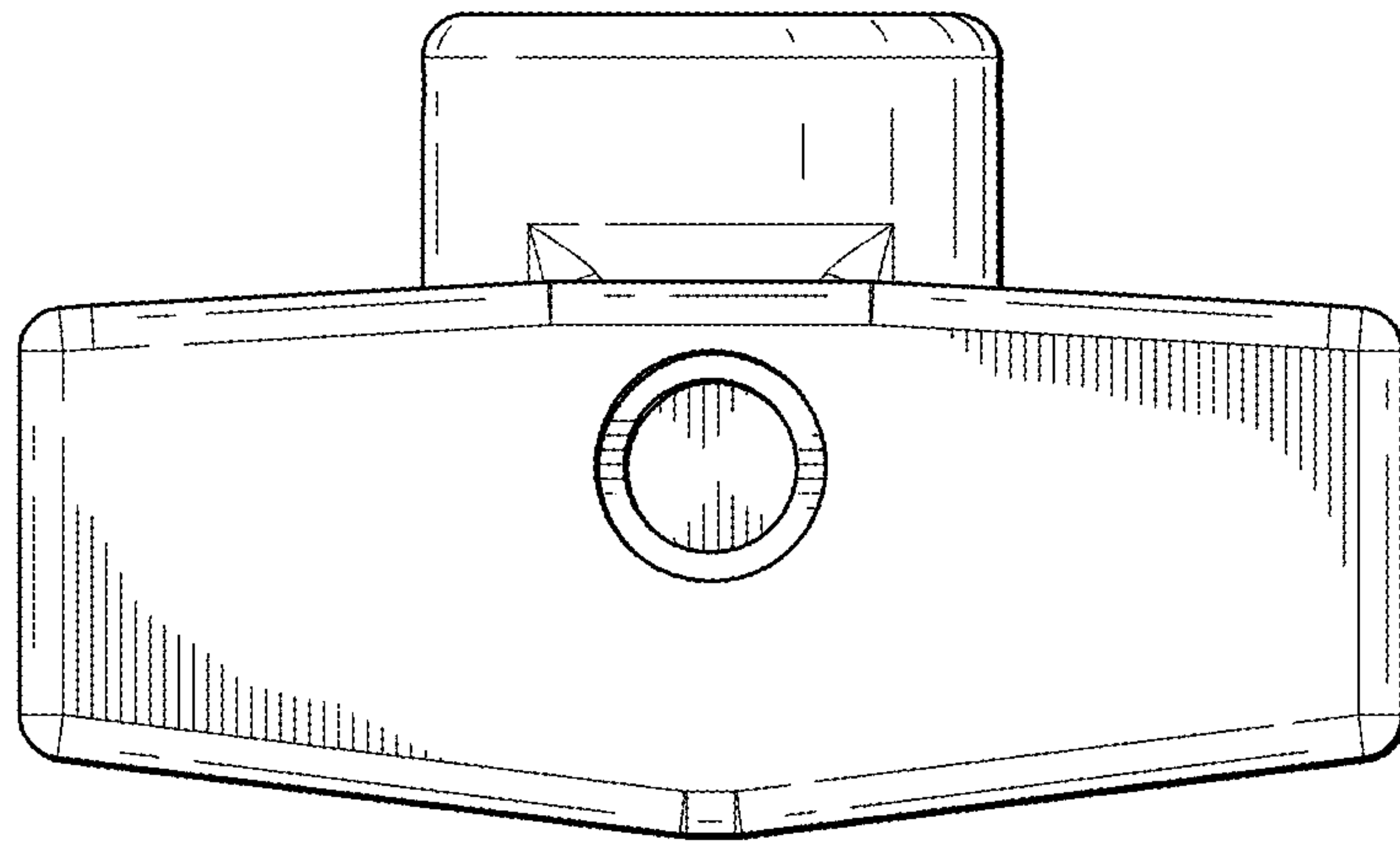


FIG. 2

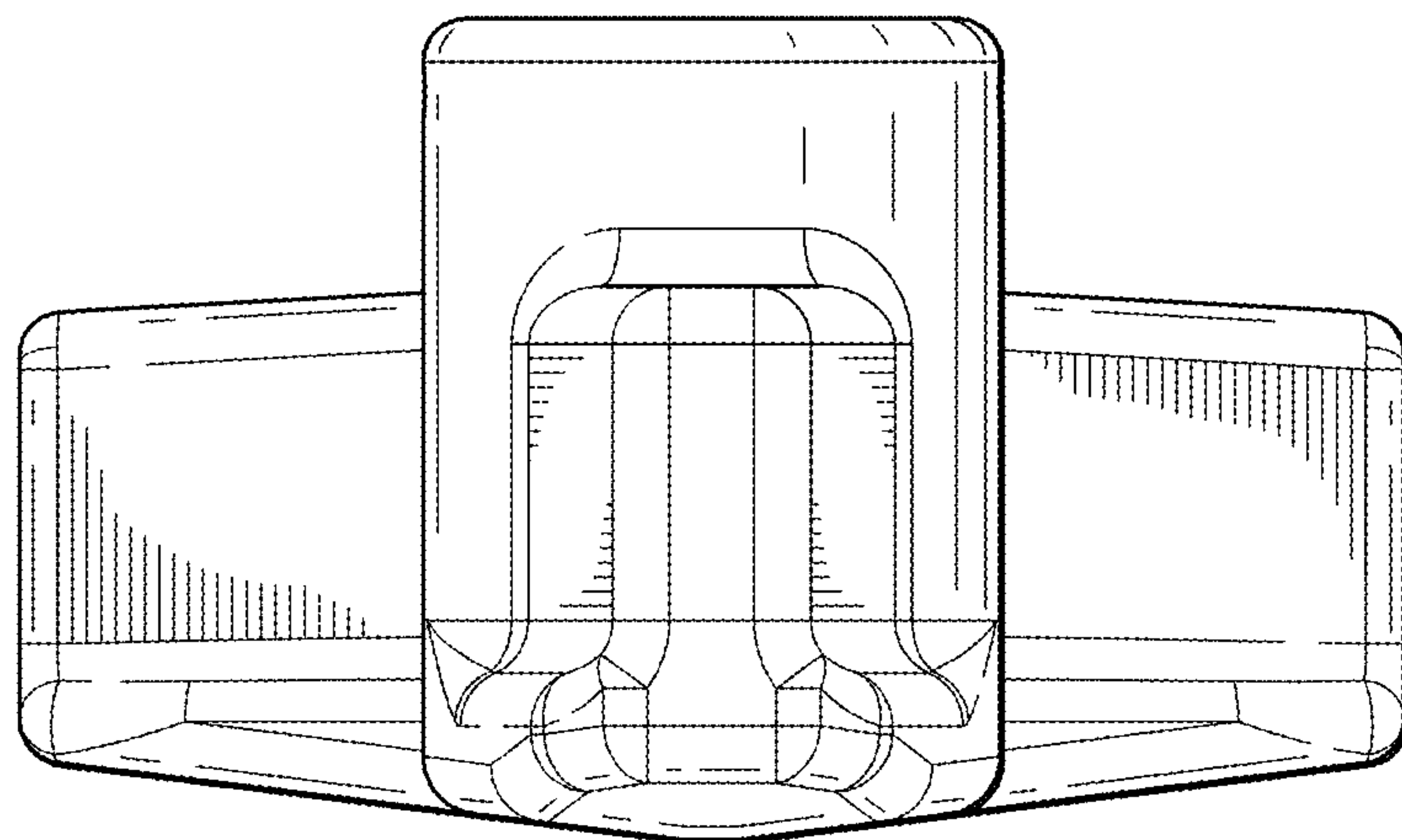


FIG. 3

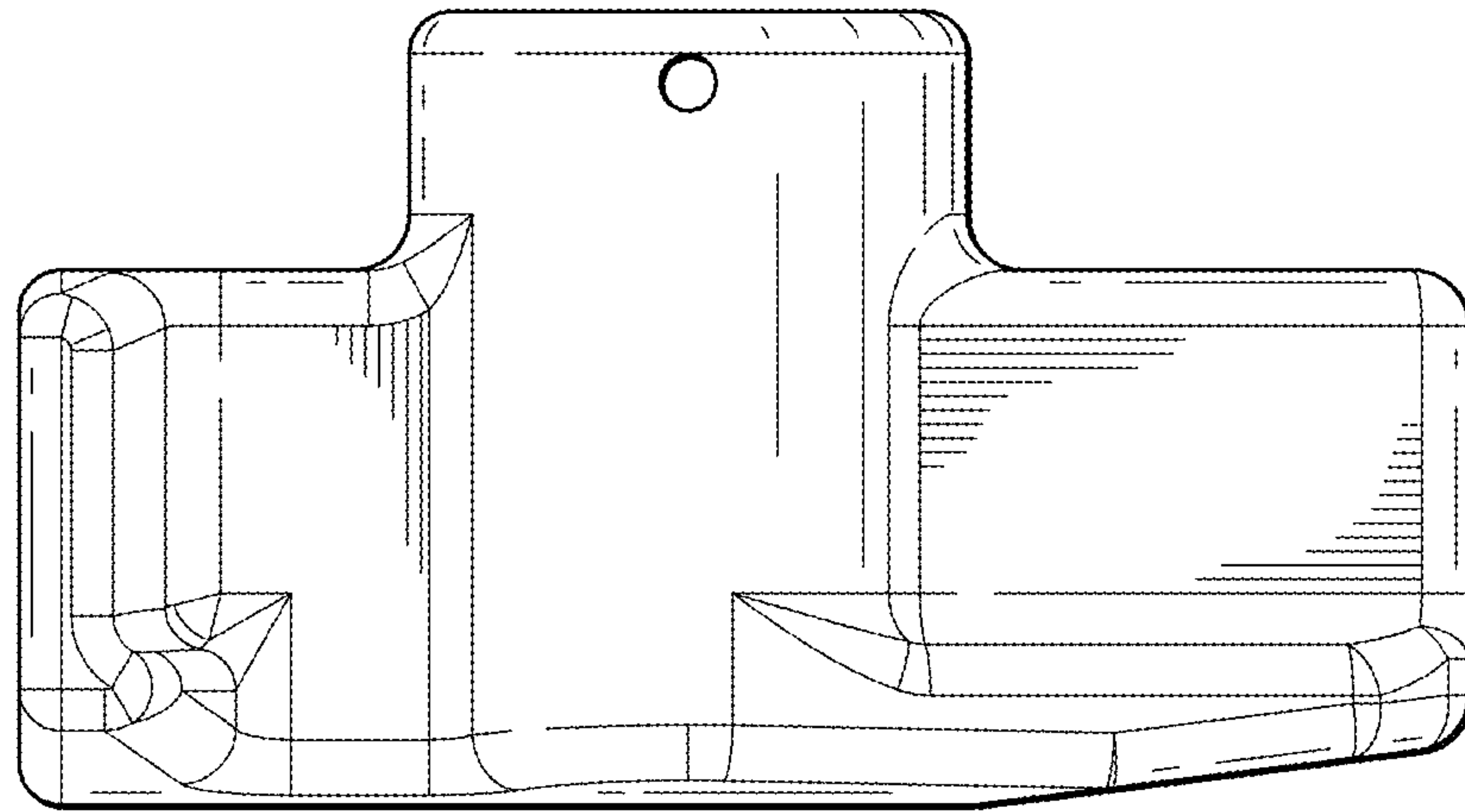


FIG. 4

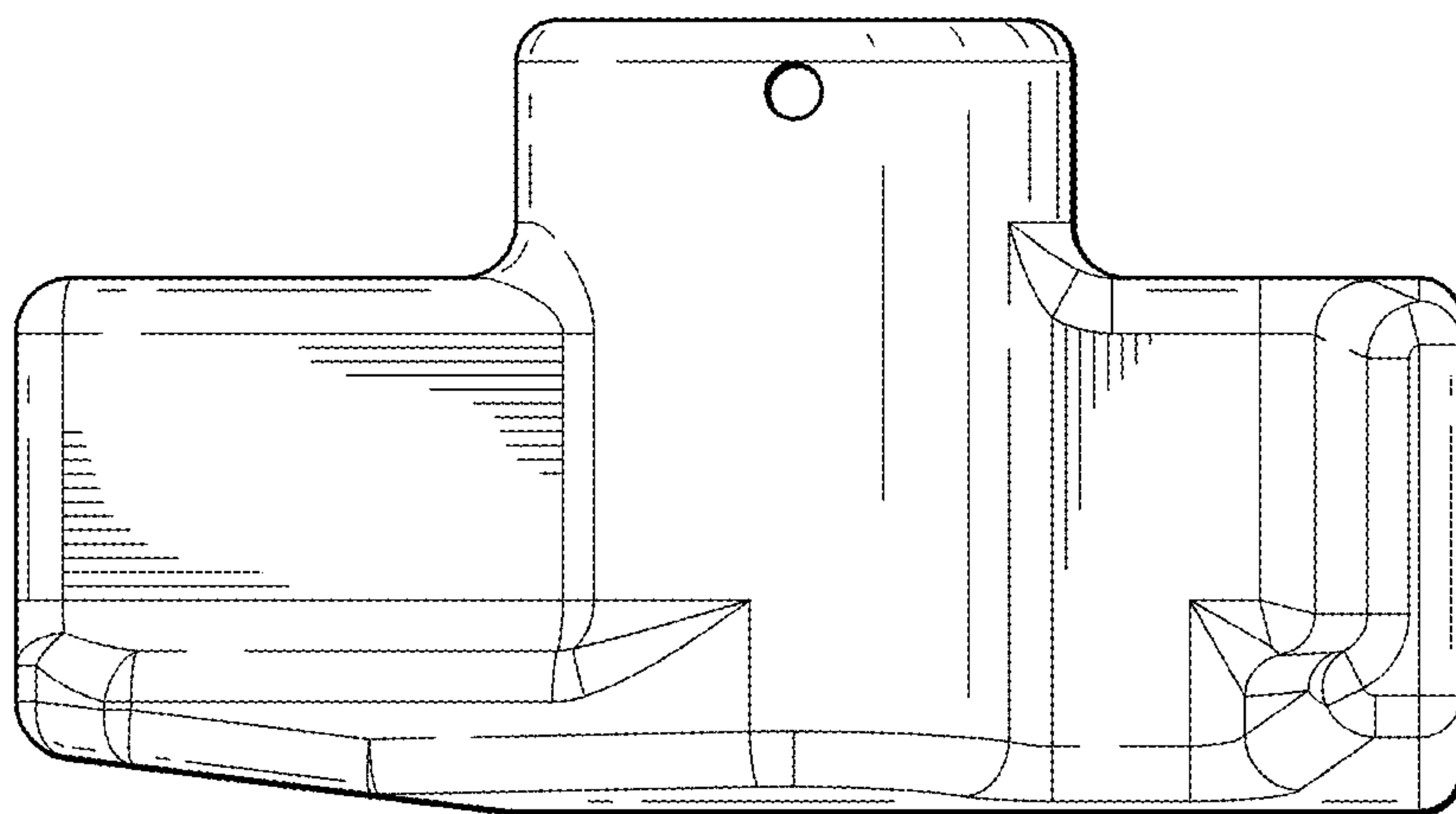


FIG. 5

FIG. 6

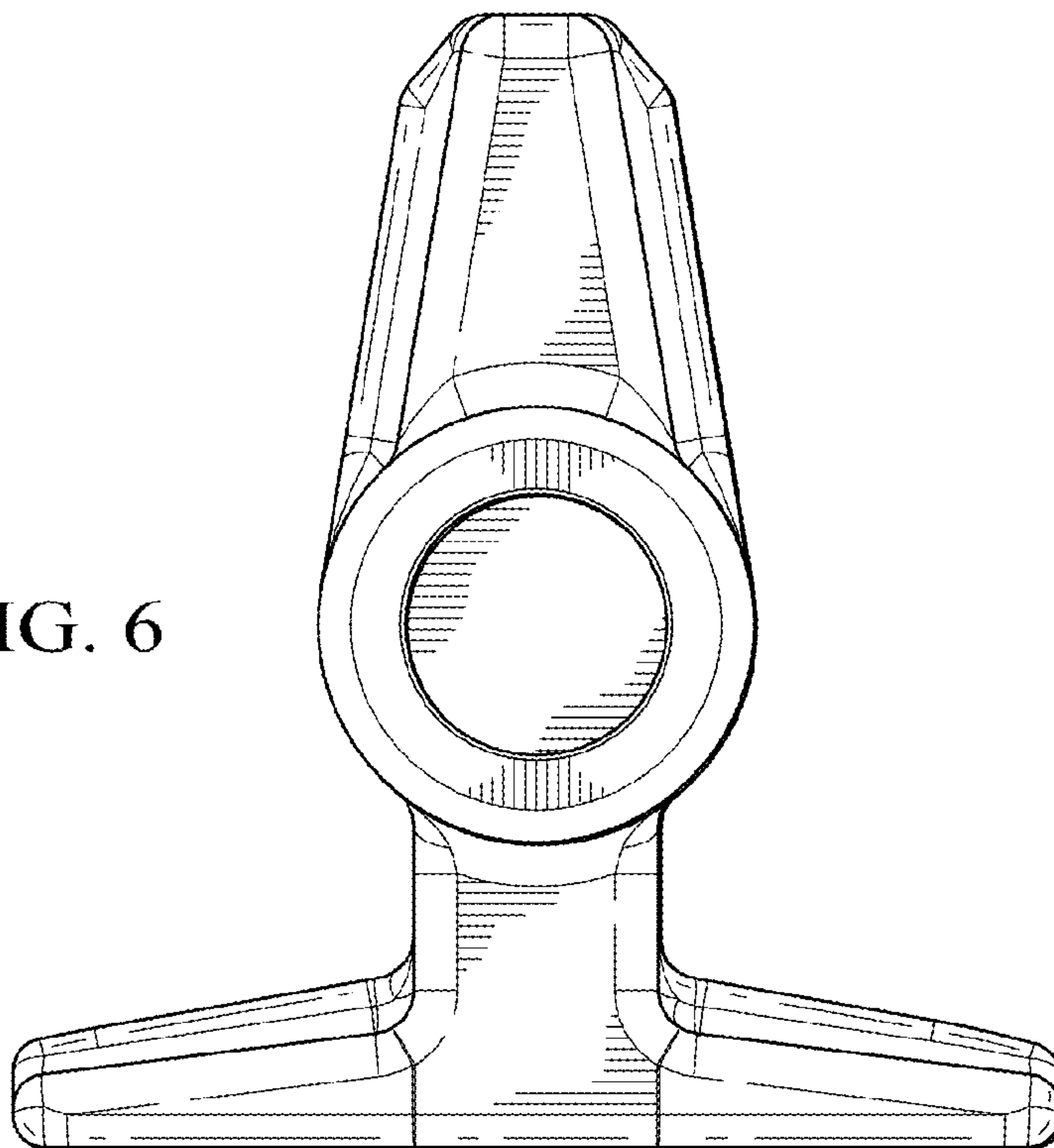


FIG. 7

