



US00D715386S

(12) **United States Design Patent**  
**Olsen et al.**

(10) **Patent No.:** **US D715,386 S**

(45) **Date of Patent:** **\*\* Oct. 14, 2014**

(54) **SUPPORT ELEMENT FOR A SPORTS APPARATUS**

(75) Inventors: **Eric M. Olsen**, West Haven, UT (US);  
**Robert A. Astle**, Kaysville, UT (US);  
**Brent R. Allen**, Ogden, UT (US)

(73) Assignee: **Lifetime Products, Inc.**, Clearfield, UT (US)

(\*\*) Term: **14 Years**

(21) Appl. No.: **29/418,874**

(22) Filed: **Apr. 23, 2012**

(51) **LOC (10) Cl.** ..... **21-02**

(52) **U.S. Cl.**  
USPC ..... **D21/698; D21/799.1**

(58) **Field of Classification Search**  
CPC ..... E04H 12/22; A63C 19/06  
USPC ..... D21/717-721, 789-796; 473/386-408;  
248/127, 523-527, 158, 519, 529,  
248/346.06, 346.02, 346.01, 346.03, 346.2,  
248/346.5, 910; 211/85.7, 60.1  
See application file for complete search history.

(56) **References Cited**

**U.S. PATENT DOCUMENTS**

1,000,682	A *	8/1911	Lane	473/493
4,638,998	A *	1/1987	Shannon, Jr.	473/492
D344,292	S *	2/1994	Dinan et al.	D20/41
5,303,932	A *	4/1994	Kessler	473/492
5,348,291	A *	9/1994	Scully	473/454
D351,881	S *	10/1994	Taylor et al.	D21/702
5,377,976	A *	1/1995	Matherne et al.	473/483
5,427,346	A *	6/1995	Urgola	248/519
5,613,678	A *	3/1997	McKee et al.	473/397
D385,001	S *	10/1997	Blumenthal	D21/702
5,685,542	A *	11/1997	Weis	473/459
5,730,668	A *	3/1998	Hege et al.	473/472

5,732,911	A *	3/1998	Kulp et al.	248/158
5,813,662	A *	9/1998	Langkruis	256/25
5,865,691	A *	2/1999	Chen	473/416
6,475,108	B1 *	11/2002	Sarenana et al.	473/420
6,659,891	B2 *	12/2003	Lloyd	473/429
6,981,680	B1 *	1/2006	Gordon et al.	248/346.01
7,104,903	B1 *	9/2006	Chen	473/491
7,523,715	B2 *	4/2009	Mettler et al.	116/63 R
8,475,301	B1 *	7/2013	Lane	473/416
8,651,979	B2 *	2/2014	Chen	473/435
2007/0045964	A1 *	3/2007	Petras	273/317
2007/0087869	A1 *	4/2007	Lin	473/490
2007/0241255	A1 *	10/2007	Dvoracek	248/346.01
2011/0056233	A1 *	3/2011	Flaker et al.	62/457.7

**FOREIGN PATENT DOCUMENTS**

FR	051435-003	*	10/2005
JP	D1088103	*	10/2000

\* cited by examiner

*Primary Examiner* — Catherine Tuttle

(74) *Attorney, Agent, or Firm* — Workman Nydegger

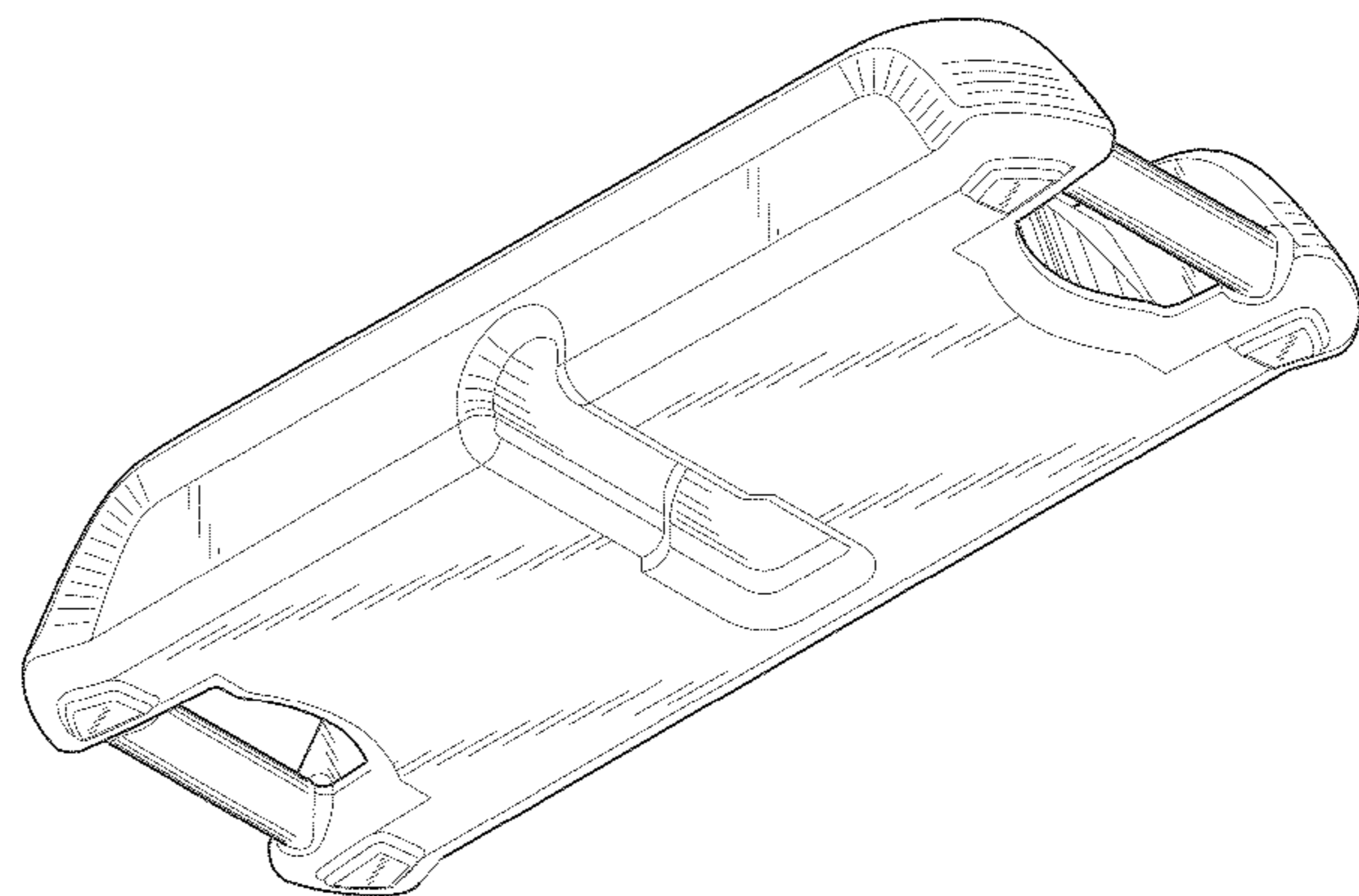
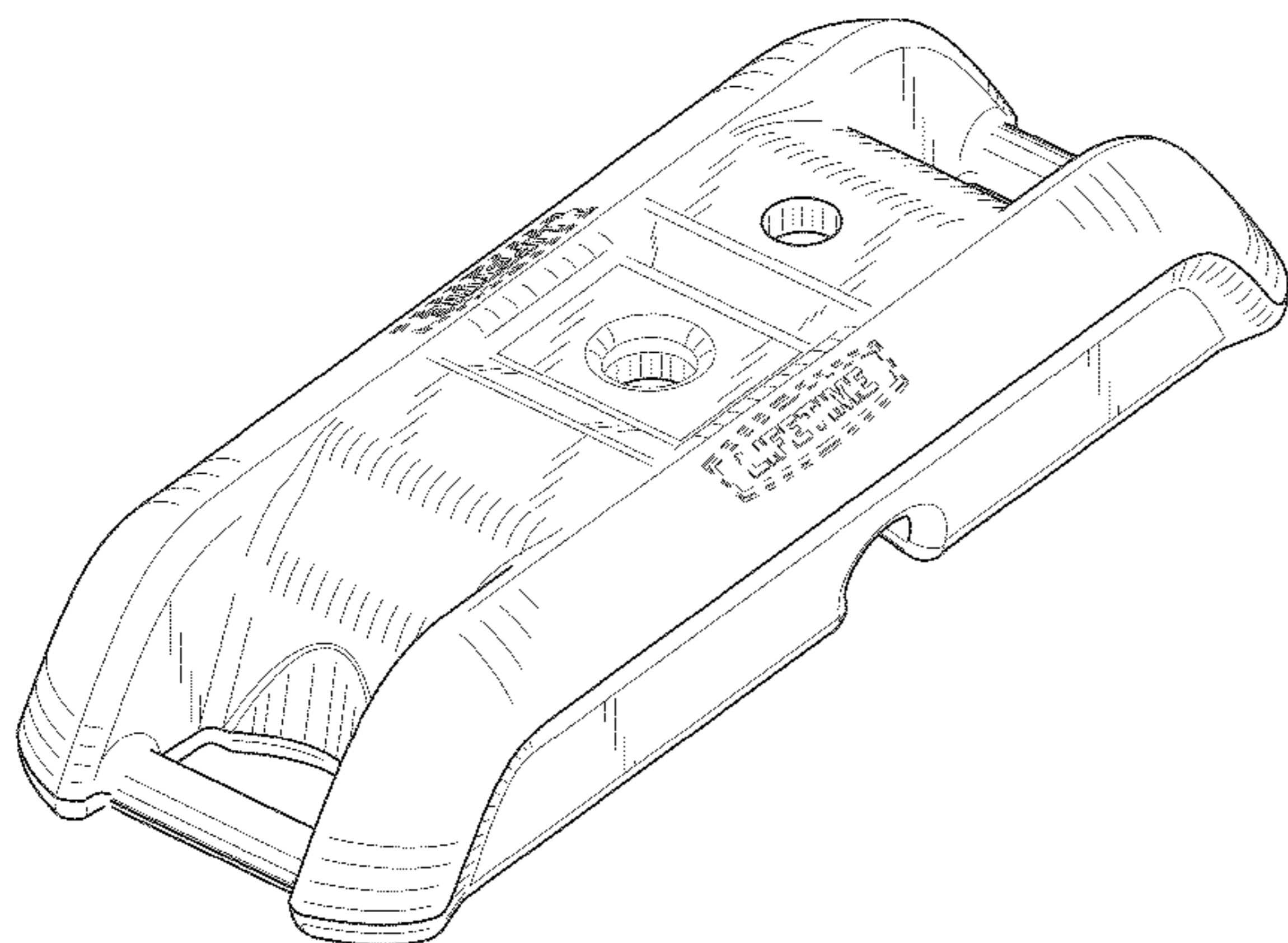
(57) **CLAIM**

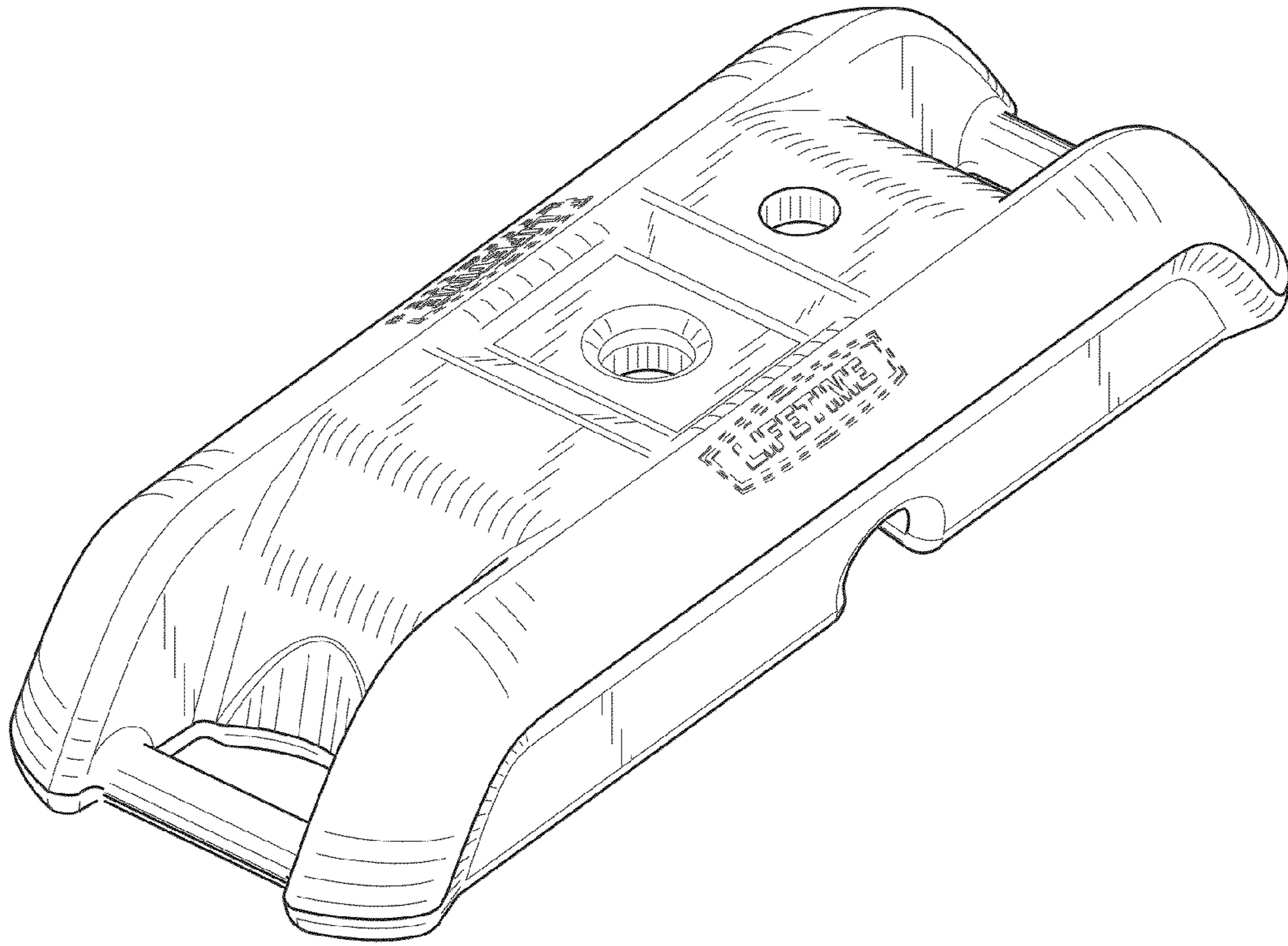
The ornamental design for a support element for a sports apparatus, as shown and described.

**DESCRIPTION**

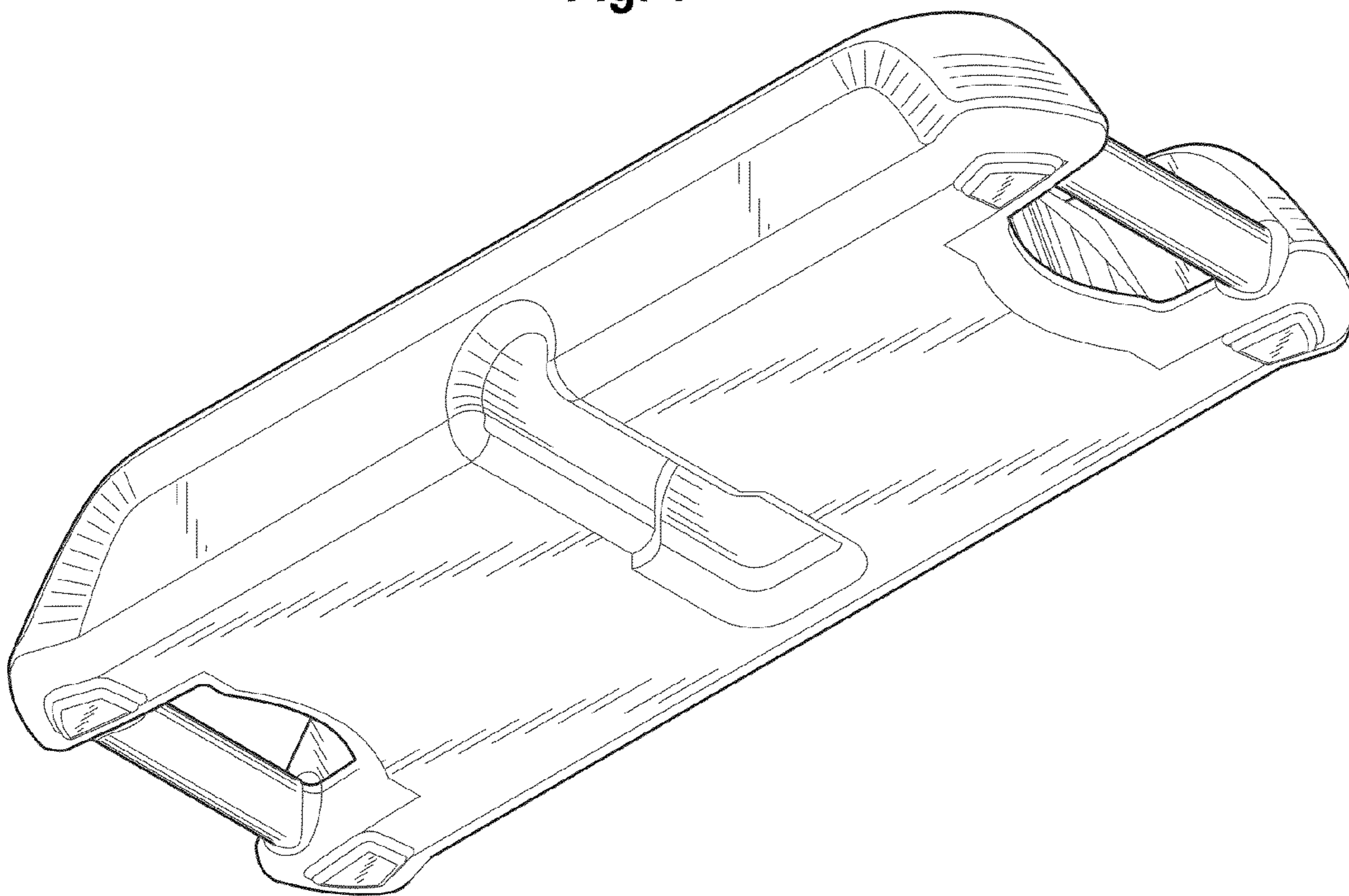
FIG. 1 is an upper perspective view of the support element for a sports apparatus showing our new design; FIG. 2 is a lower perspective view thereof; FIG. 3 is a rear view thereof; FIG. 4 is a left side view thereof; FIG. 5 is a top view thereof; FIG. 6 is a right side view thereof; FIG. 7 is a front view thereof; and, FIG. 8 is a bottom view thereof. The broken lines shown in FIGS. 1, 4, 5 and 6 are for illustrative purposes only and form no part of the claimed design.

**1 Claim, 5 Drawing Sheets**



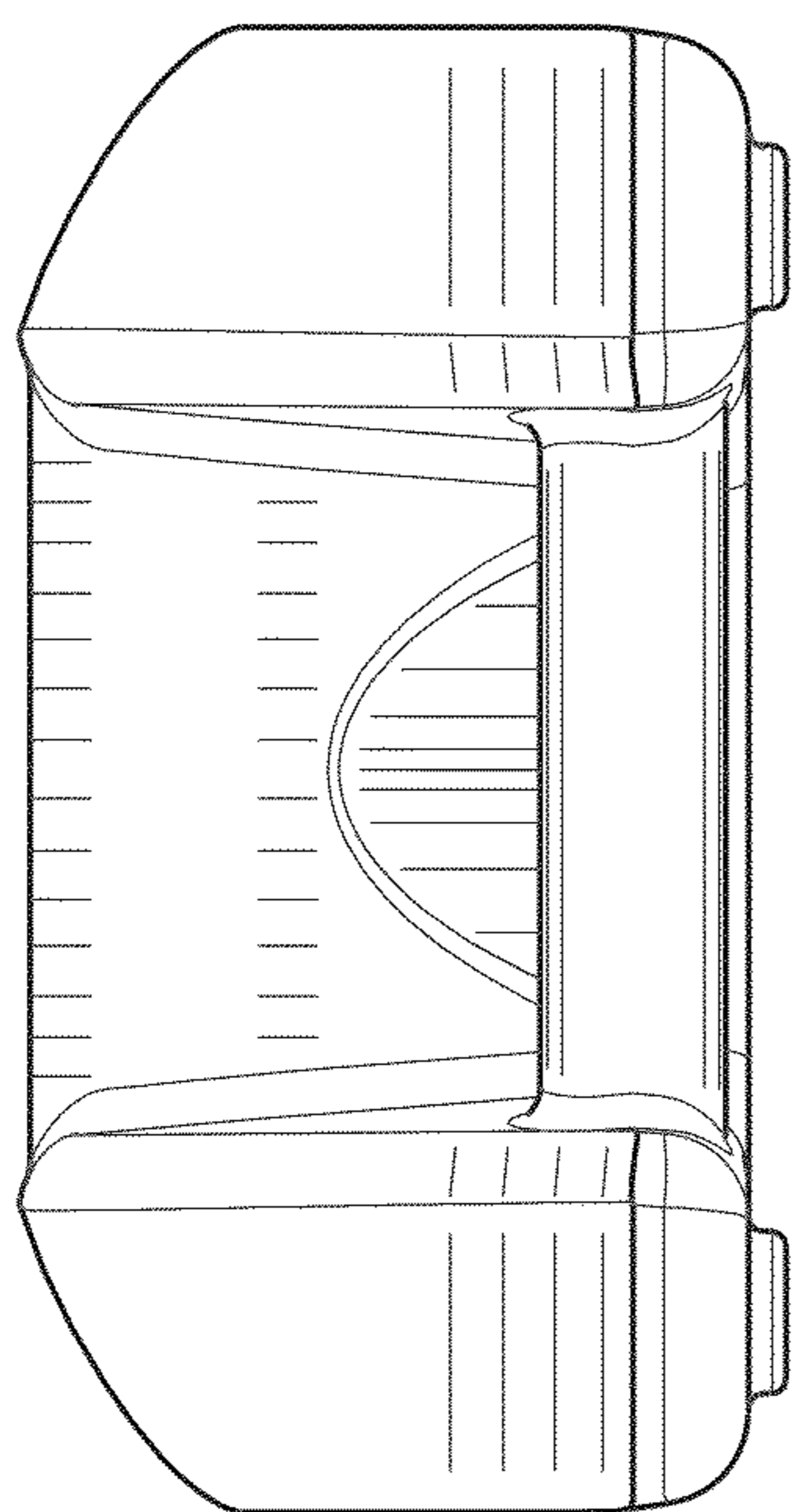


**Fig. 1**

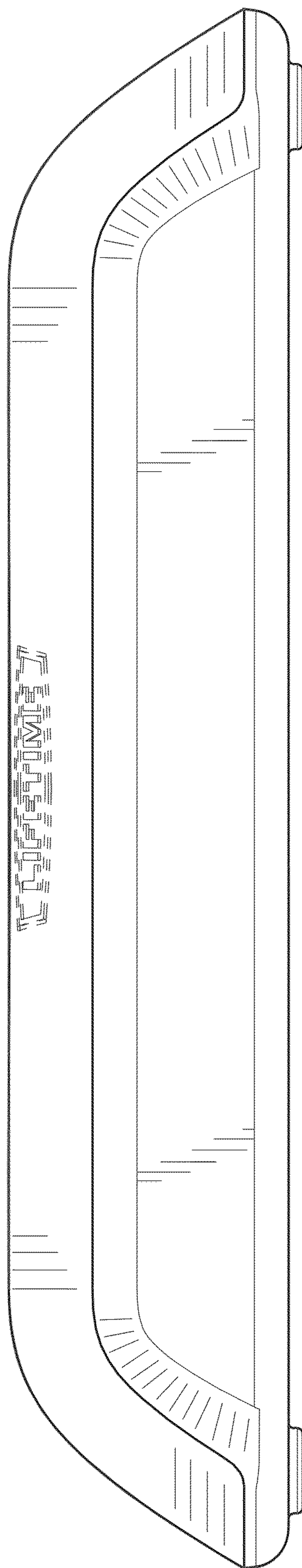


**Fig. 2**





**Fig. 3**



**Fig. 4**

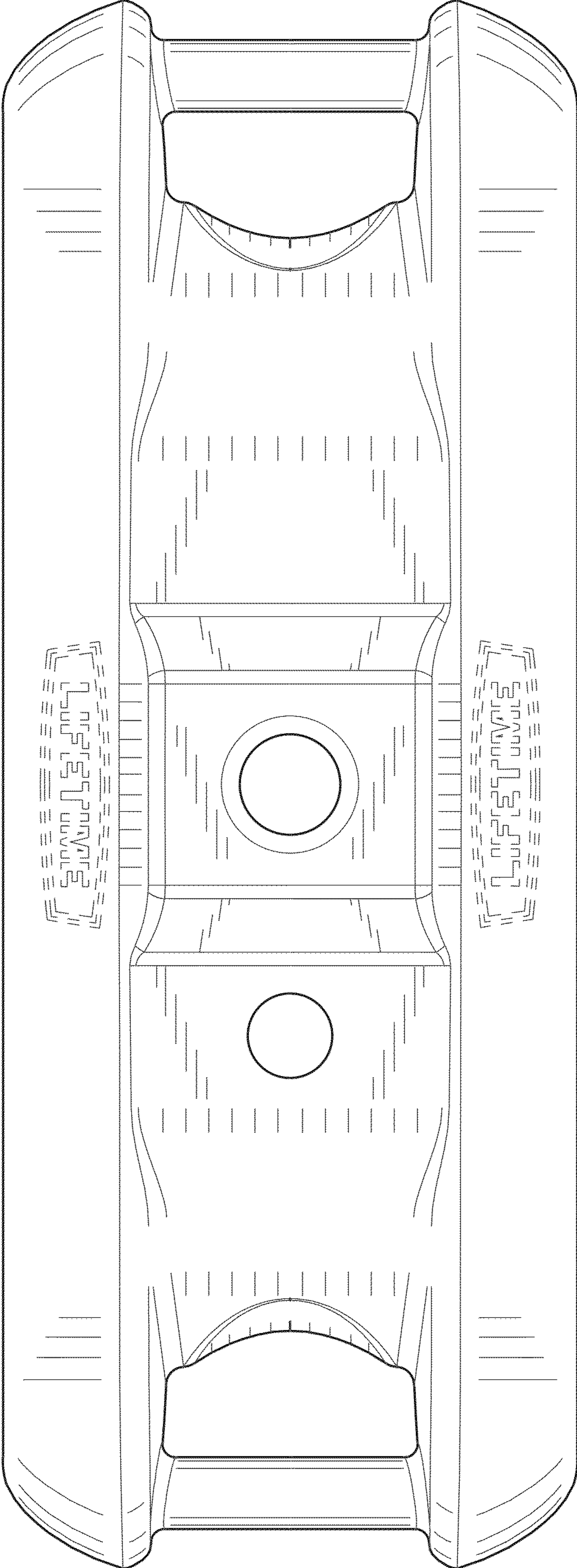


Fig. 5

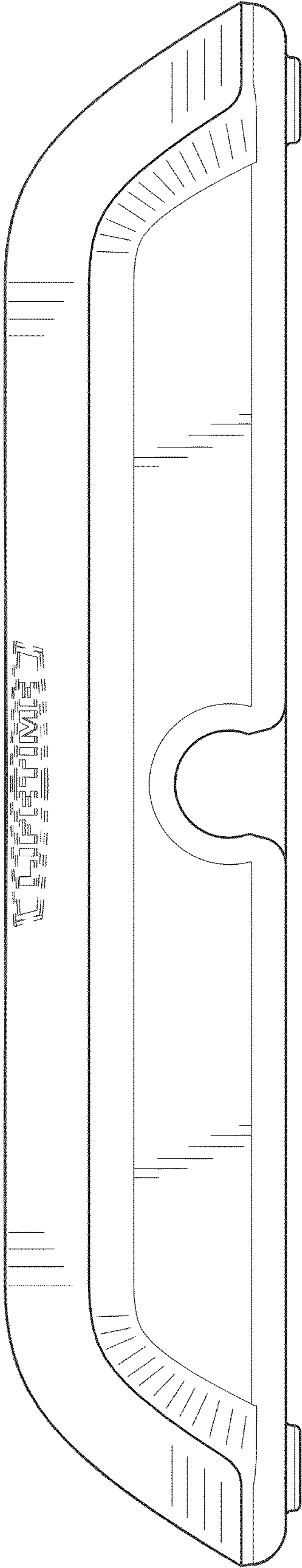


Fig. 6

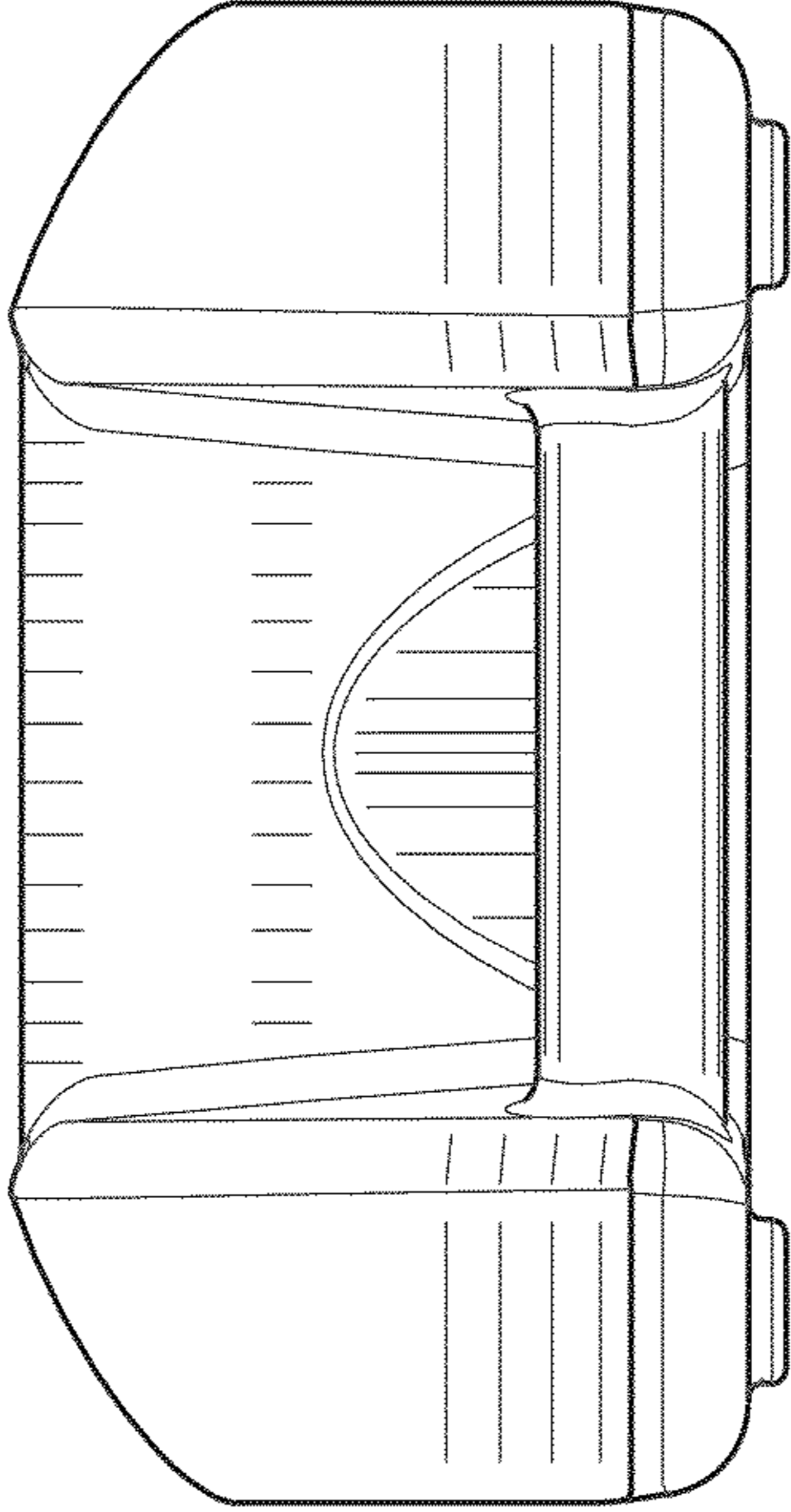


Fig. 7

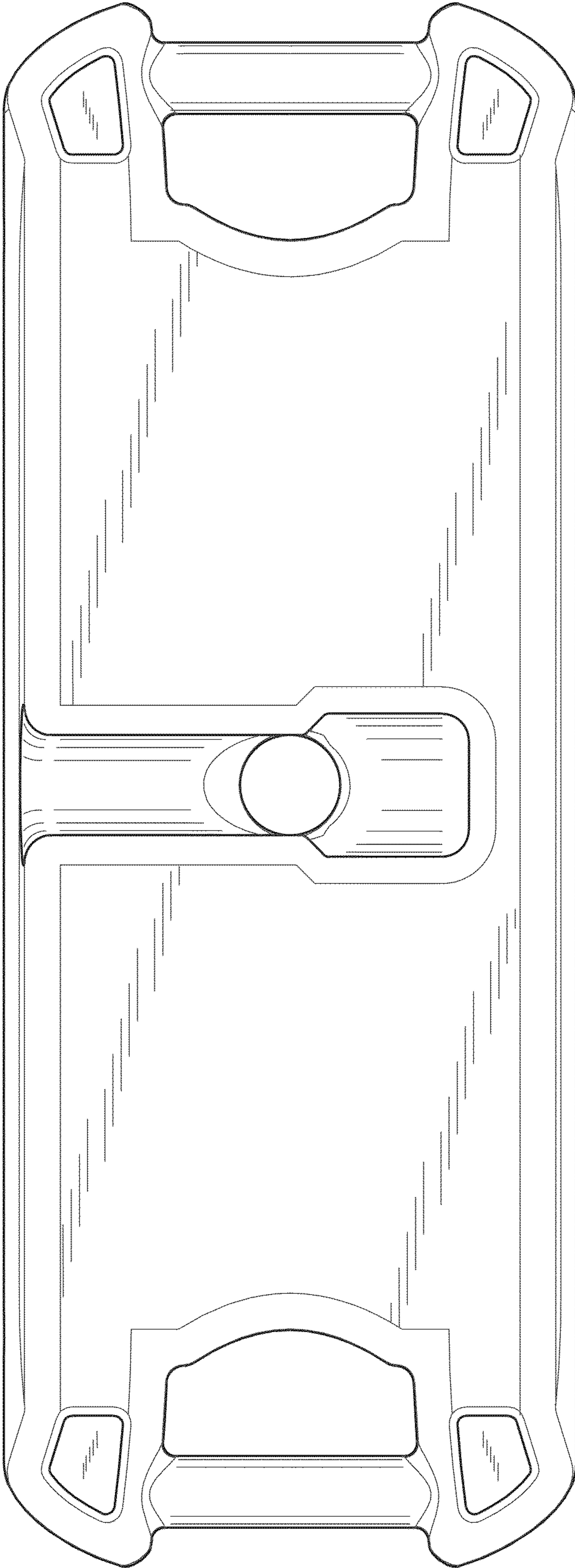


Fig. 8