



US00D715385S

(12) **United States Design Patent**
Gonzalez Jusino

(10) **Patent No.:** **US D715,385 S**

(45) **Date of Patent:** **** Oct. 14, 2014**

(54) **DOLL HEAD**

(76) Inventors: **Carlos German Gonzalez Jusino**,
Ponce, PR (US); **Gloria Jaramillo**
Mesa, legal representative, Ponce, PR
(US)

(**) Term: **14 Years**

(21) Appl. No.: **29/430,910**

(22) Filed: **Aug. 31, 2012**

(51) **LOC (10) Cl.** **21-01**

(52) **U.S. Cl.**

CPC **A63H 3/00** (2013.01)

USPC **D21/659**; D21/622

(58) **Field of Classification Search**

CPC **A63H 3/00**

USPC **D21/621, 623, 624, 625, 628, 630, 631,**

D21/633, 640, 643-649, 658-661, 622, 626,

D21/632; 446/268, 360, 361, 376, 379,

446/382-384

See application file for complete search history.

(56) **References Cited**

U.S. PATENT DOCUMENTS

D393,024 S * 3/1998 Allen et al. D21/622

D430,237 S * 8/2000 Kwok D21/578

D435,070 S * 12/2000 Cutillo et al. D21/622

D522,071 S * 5/2006 Strother et al. D21/578

D522,592 S * 6/2006 Vela D21/622

D596,244 S * 7/2009 Levy et al. D21/622

OTHER PUBLICATIONS

Carlo Juzzinno; "Mr. Brainy, The Friendly UFO;" 1986; New York, NY; Whole document.

* cited by examiner

Primary Examiner — Zenia Bennett

(74) *Attorney, Agent, or Firm* — Ware, Fressola, Maguire & Barber LLP

(57) **CLAIM**

The ornamental design of a doll head, as shown and described.

DESCRIPTION

FIG. 1 is a front perspective view for of a head for a toy doll showing my new design.

FIG. 2 is a front view thereof.

FIG. 3 is a back view thereof.

FIG. 4 is a left side view thereof.

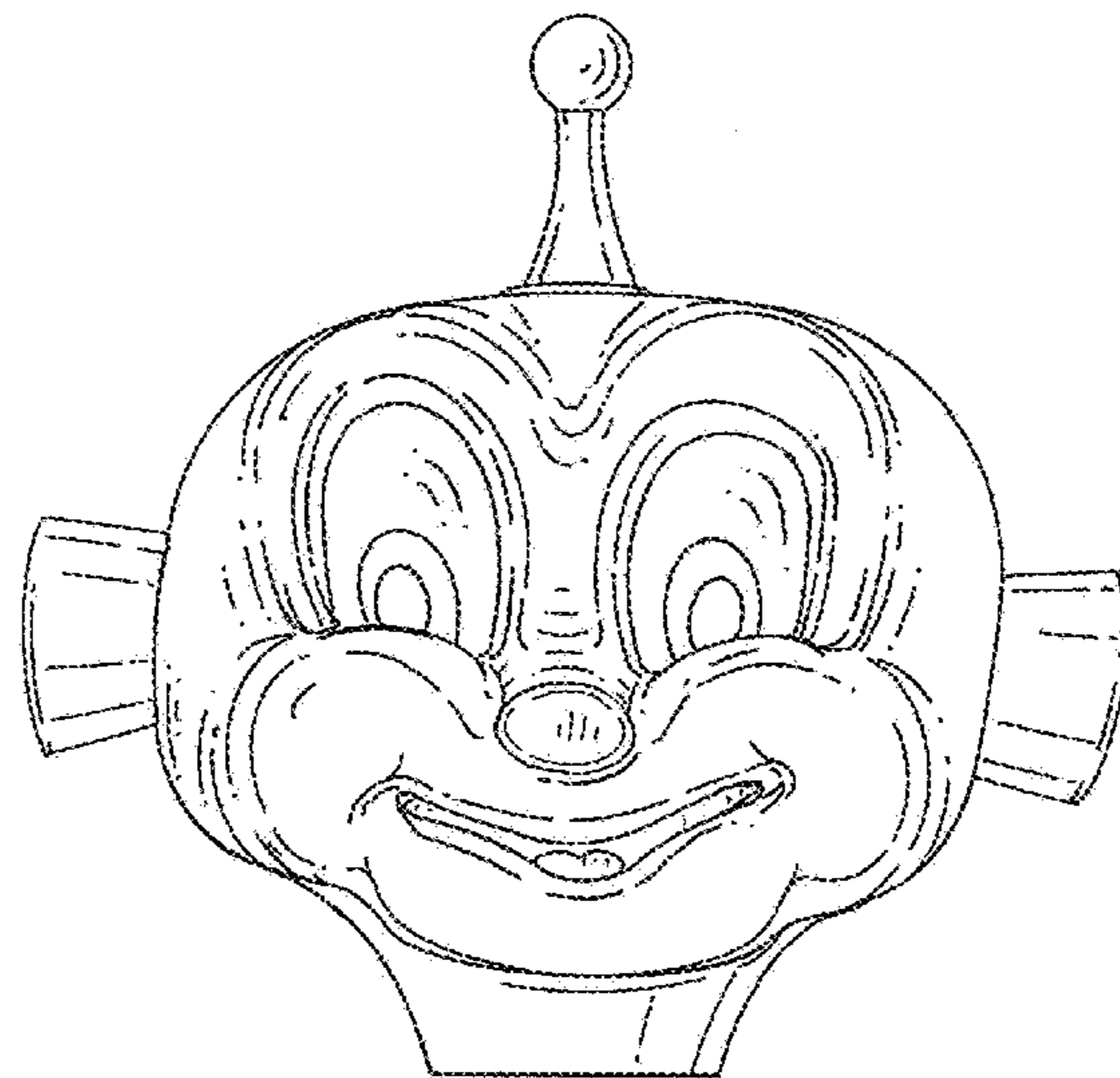
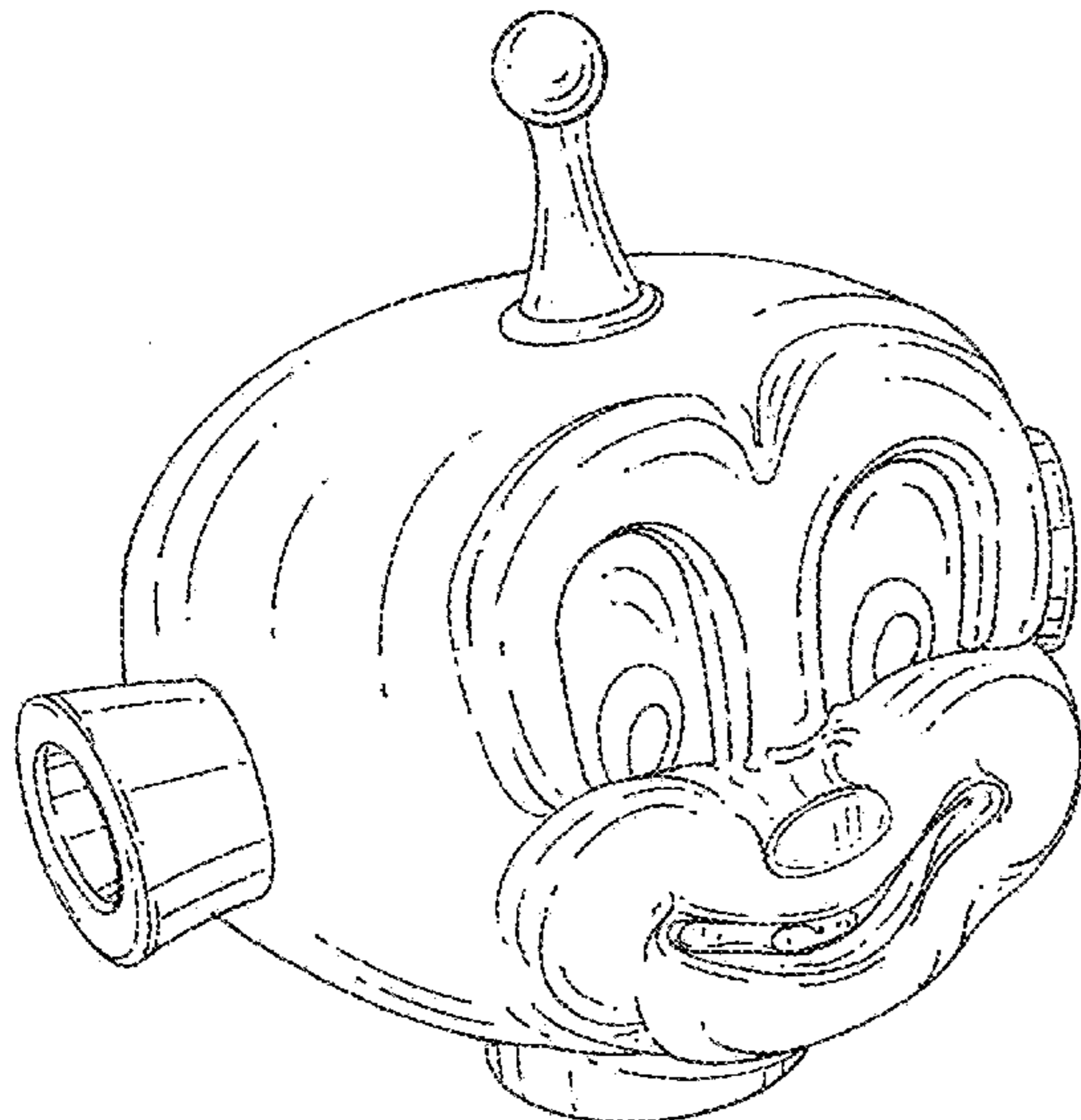
FIG. 5 is a right side view thereof.

FIG. 6 is a top plan view thereof; and,

FIG. 7 is a bottom plan view thereof.

The broken lines are for environmental purposes only and form no part of the claimed design.

1 Claim, 7 Drawing Sheets



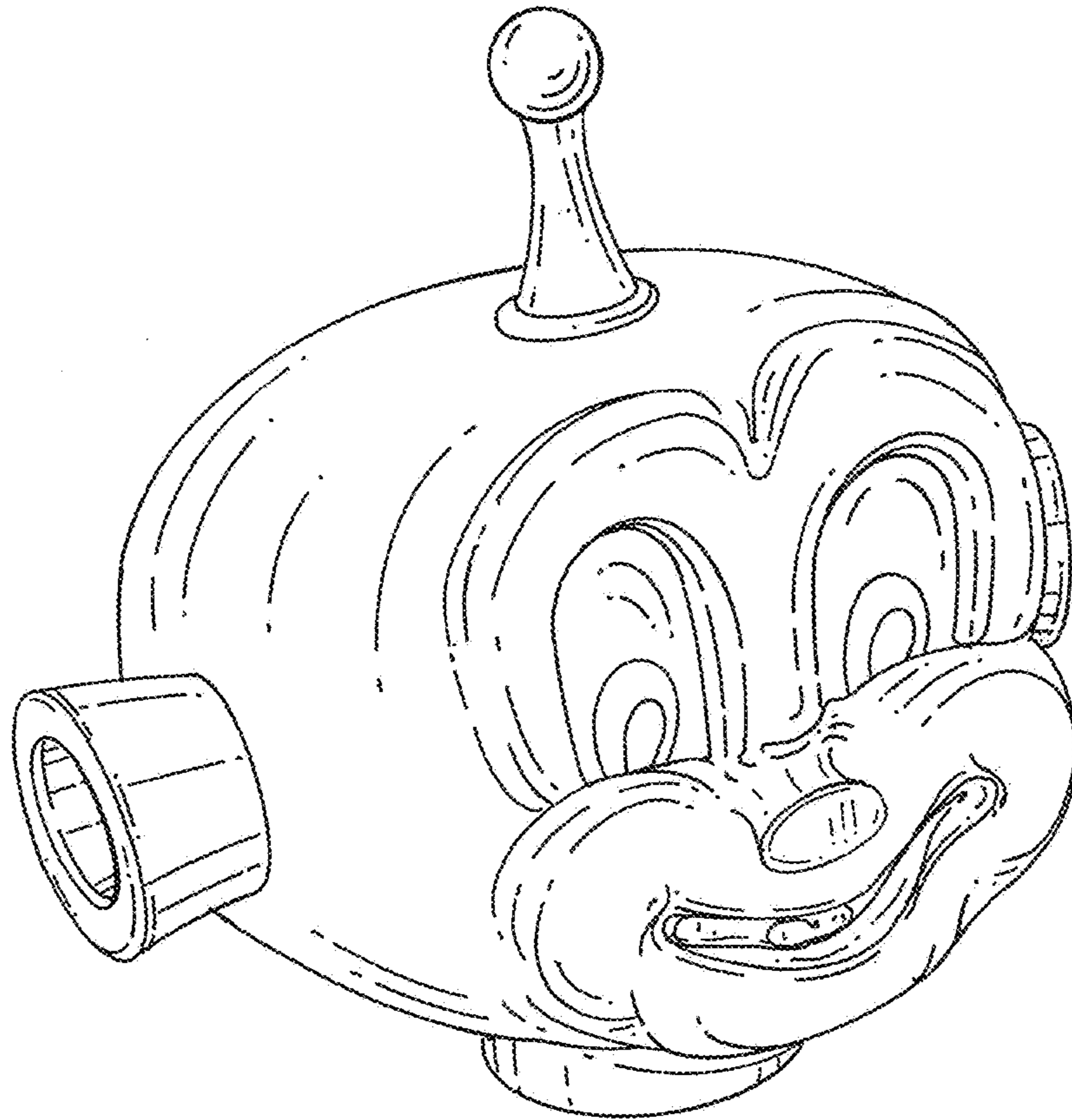


FIG. 1

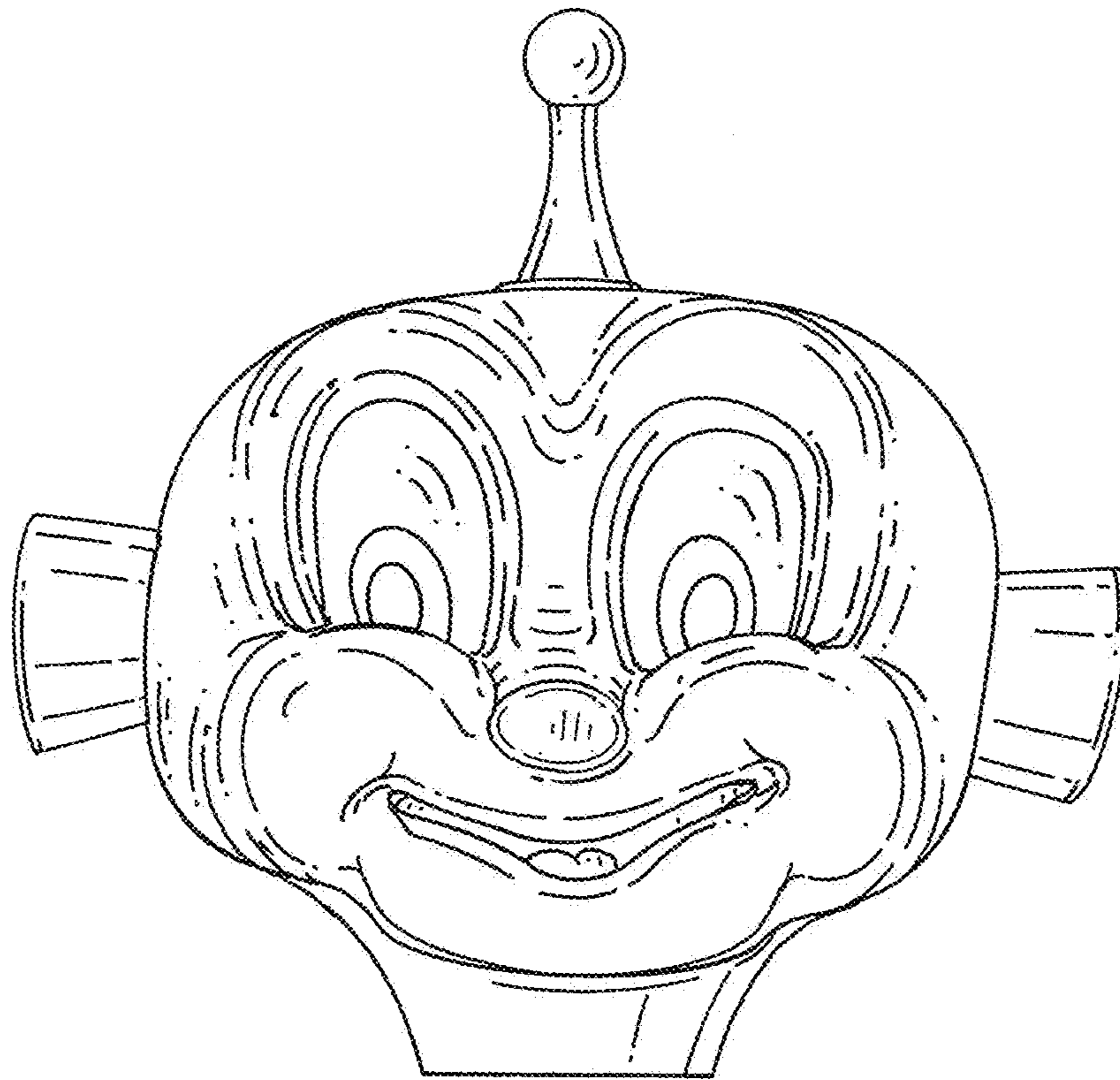


FIG. 2

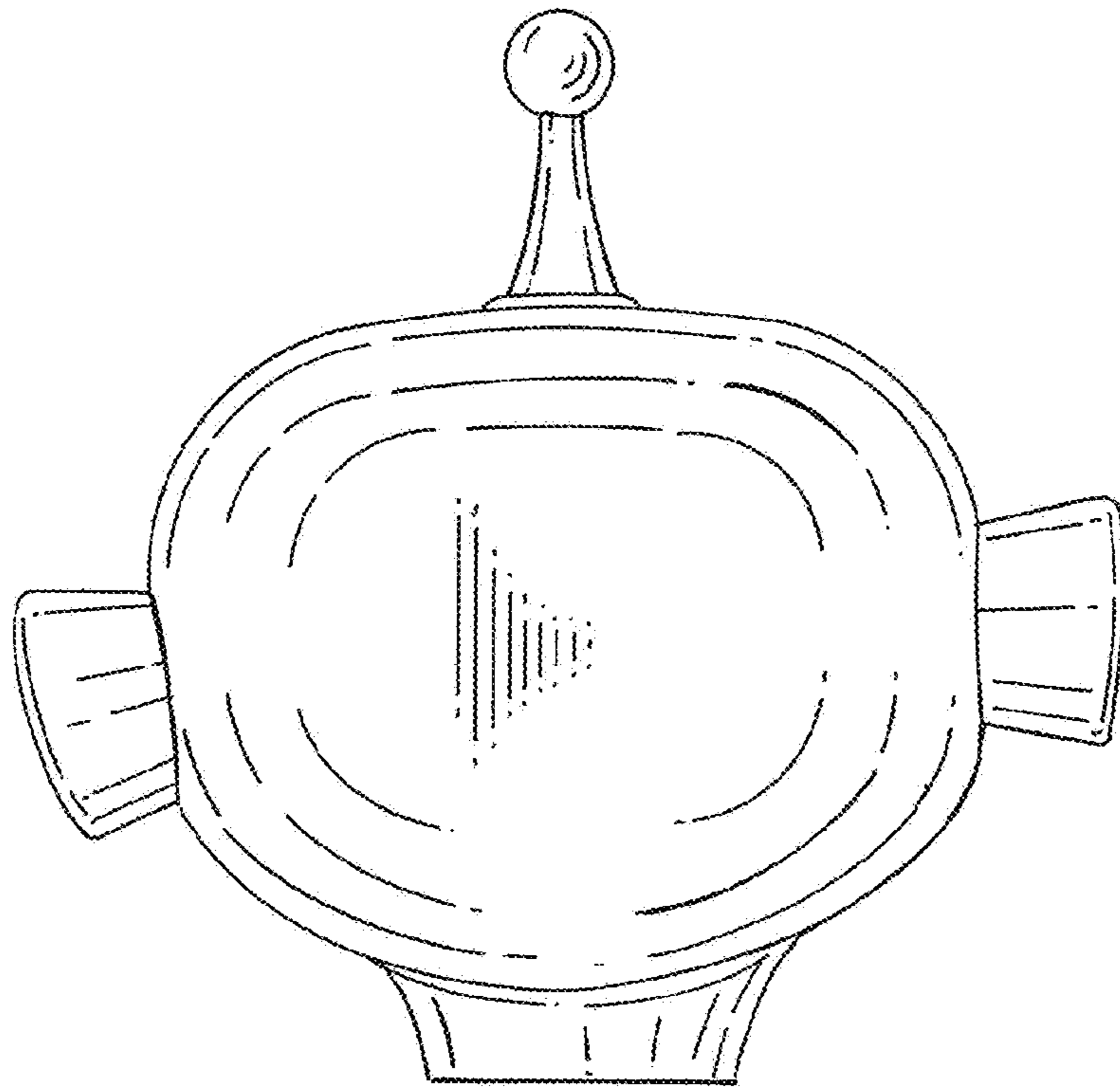


FIG. 3

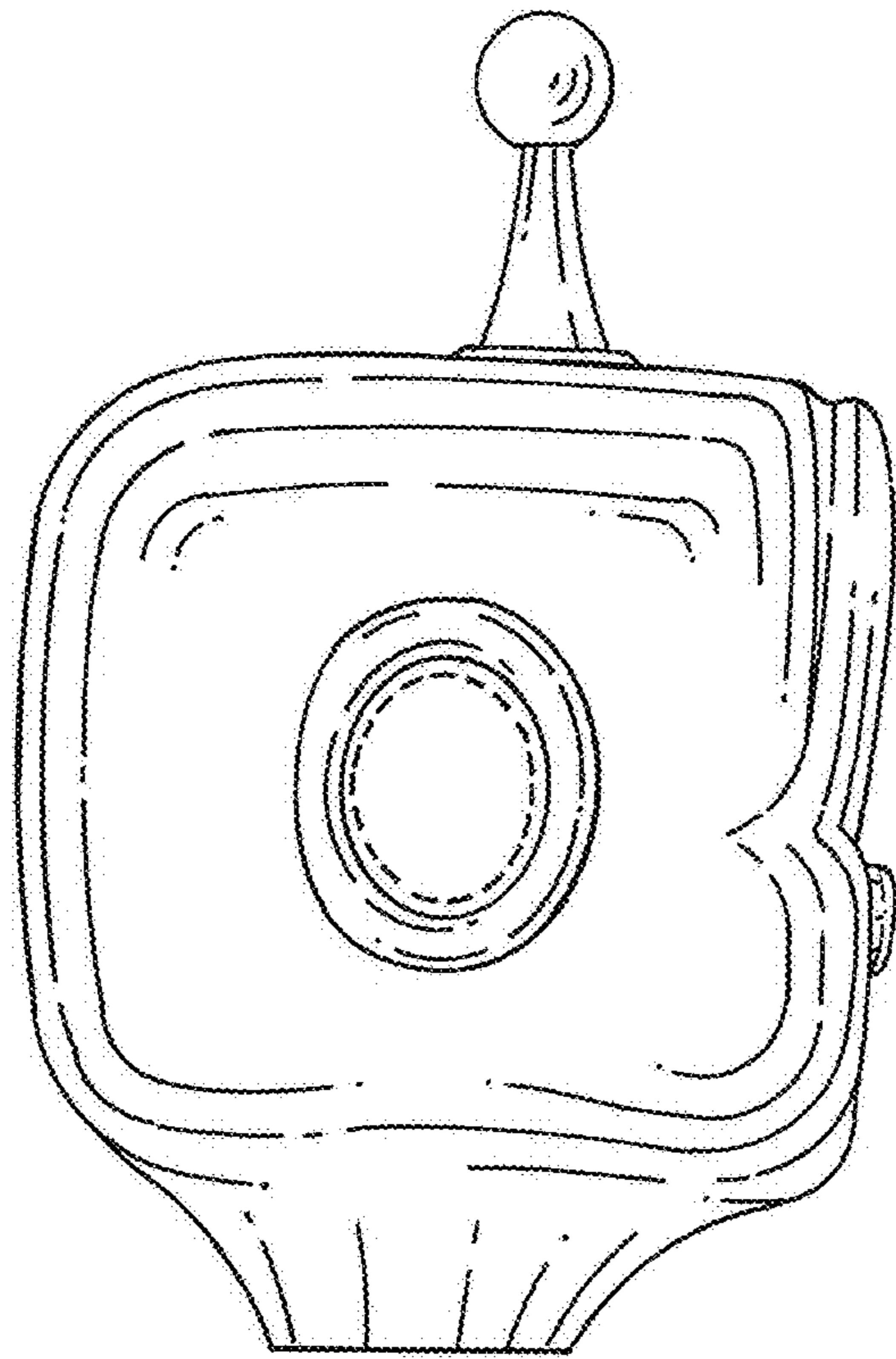


FIG. 4

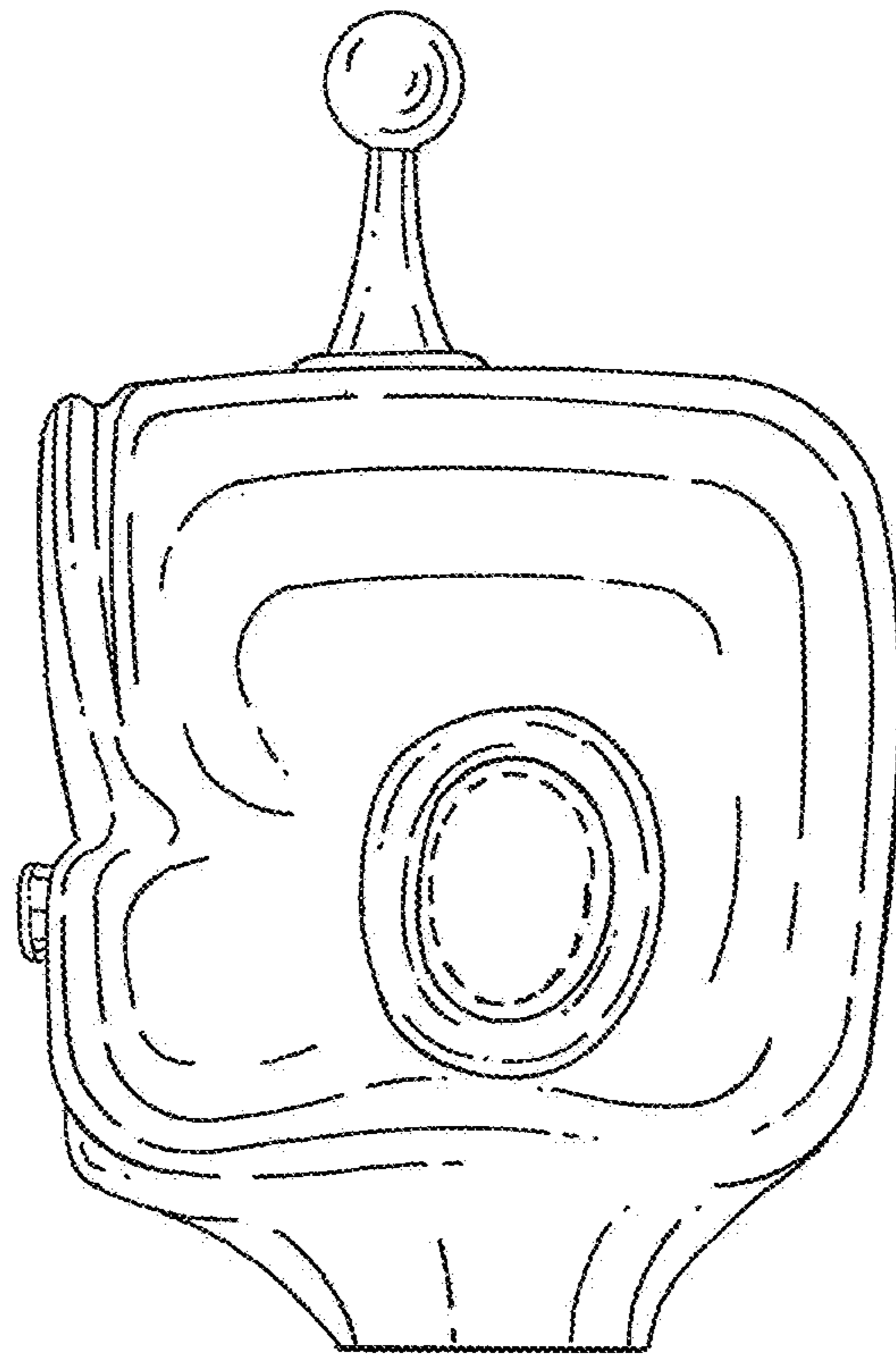


FIG. 5

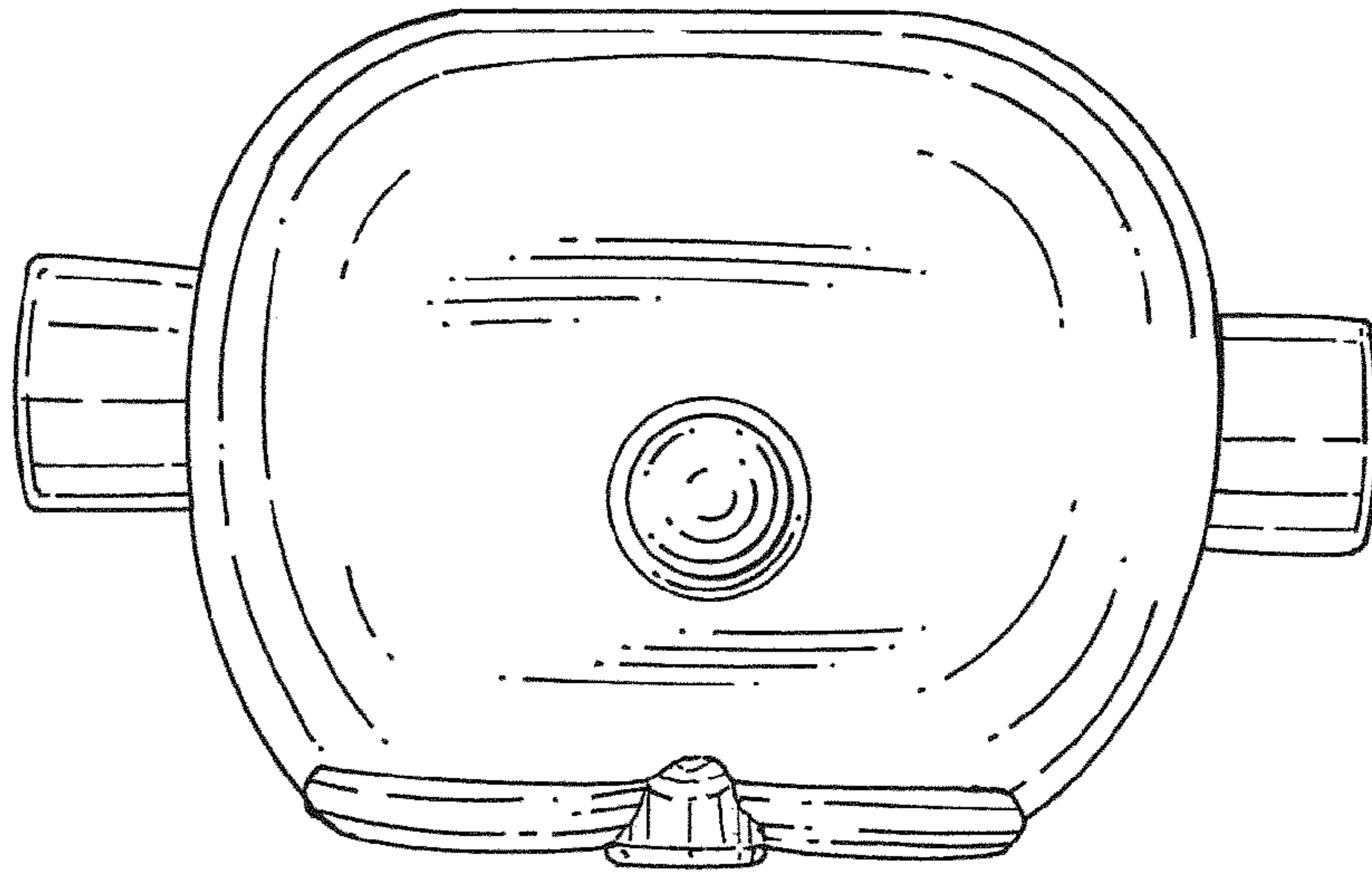


FIG. 6

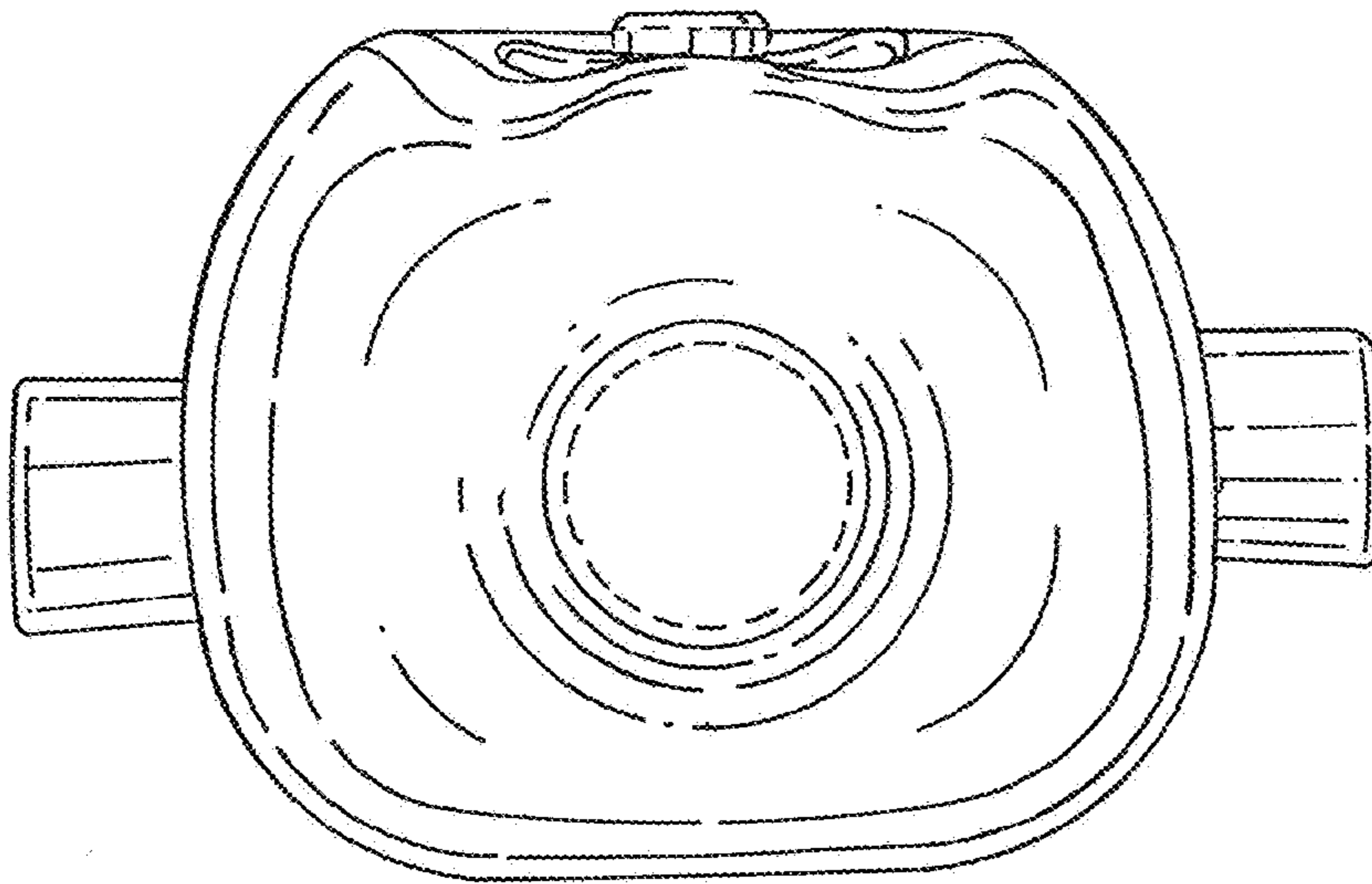


FIG. 7