



US00D715380S

(12) **United States Design Patent**  
**Ito**

(10) **Patent No.:** **US D715,380 S**  
(45) **Date of Patent:** **\*\* Oct. 14, 2014**

(54) **TOY ROBOT**

(71) Applicant: **Tomy Company, Ltd.**, Tokyo (JP)

(72) Inventor: **Taijiro Ito**, Tokyo (JP)

(73) Assignee: **Tomy Company, Ltd.** (JP)

(\*\*) Term: **14 Years**

(21) Appl. No.: **29/456,138**

(22) Filed: **May 29, 2013**

(30) **Foreign Application Priority Data**

Nov. 29, 2012 (JP) ..... 2012-029199

(51) **LOC (10) Cl.** ..... **21-01**

(52) **U.S. Cl.**

CPC ..... **A63H 3/00** (2013.01)

USPC ..... **D21/578**

(58) **Field of Classification Search**

CPC ..... **A63H 3/00**

USPC ..... **D21/578-583, 621, 622; 446/268-274, 446/279, 280, 285, 289-292, 294, 297-303, 446/353-355, 376-384; D15/199; 318/568.11, 568.12, 568.2**

See application file for complete search history.

(56) **References Cited**

**U.S. PATENT DOCUMENTS**

D453,199 S \* 1/2002 Sawai et al. .... D21/578  
D534,971 S \* 1/2007 Chung ..... D21/578  
D561,213 S \* 2/2008 Mitchell ..... D15/199

D561,214 S \* 2/2008 Mitchell ..... D15/199  
D561,215 S \* 2/2008 Mitchell ..... D15/199  
D561,795 S \* 2/2008 Mitchell ..... D15/199  
D593,164 S \* 5/2009 Sonoda ..... D21/578  
D622,786 S \* 8/2010 Lee ..... D21/578  
D645,523 S \* 9/2011 Wong ..... D21/578  
D647,149 S \* 10/2011 Wong ..... D21/578  
D662,154 S \* 6/2012 Hara et al. .... D21/578

\* cited by examiner

*Primary Examiner* — Zenia Bennett

(74) *Attorney, Agent, or Firm* — Cantor Colburn LLP

(57) **CLAIM**

The ornamental design for a toy robot, as shown and described.

**DESCRIPTION**

FIG. 1 is a perspective view of a toy robot showing my new design;  
FIG. 2 is a front elevational view thereof;  
FIG. 3 is a rear elevational view thereof;  
FIG. 4 is a left side elevational view thereof;  
FIG. 5 is a right side elevational view thereof;  
FIG. 6 is a top plan view thereof;  
FIG. 7 is a bottom plan view thereof; and,  
FIG. 8 is another perspective view thereof.  
Broken lines in the drawing views are included for the purposes of illustrating the unclaimed portions of the toy robot and form no part of the claimed design.

**1 Claim, 8 Drawing Sheets**

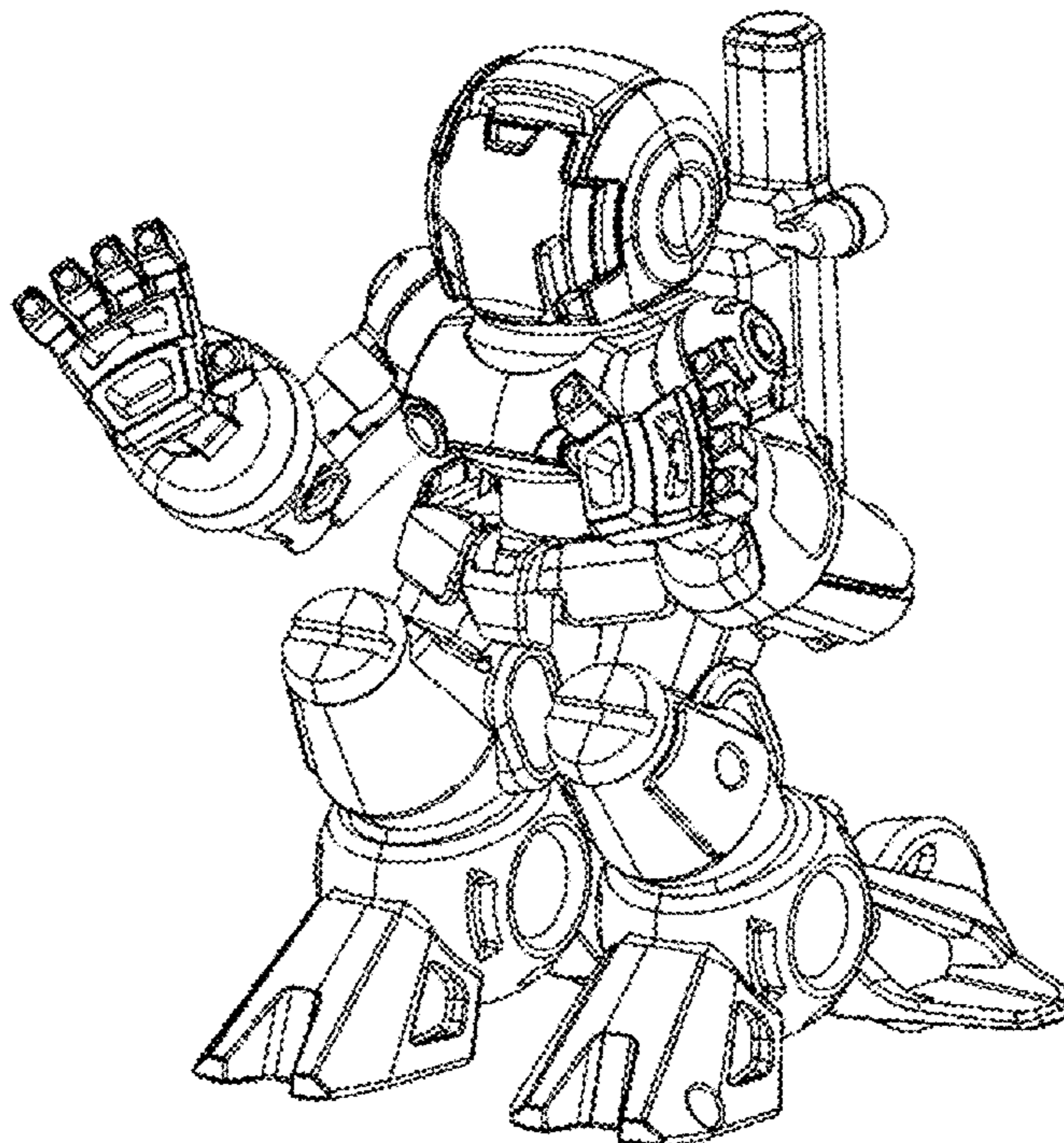


FIG. 1

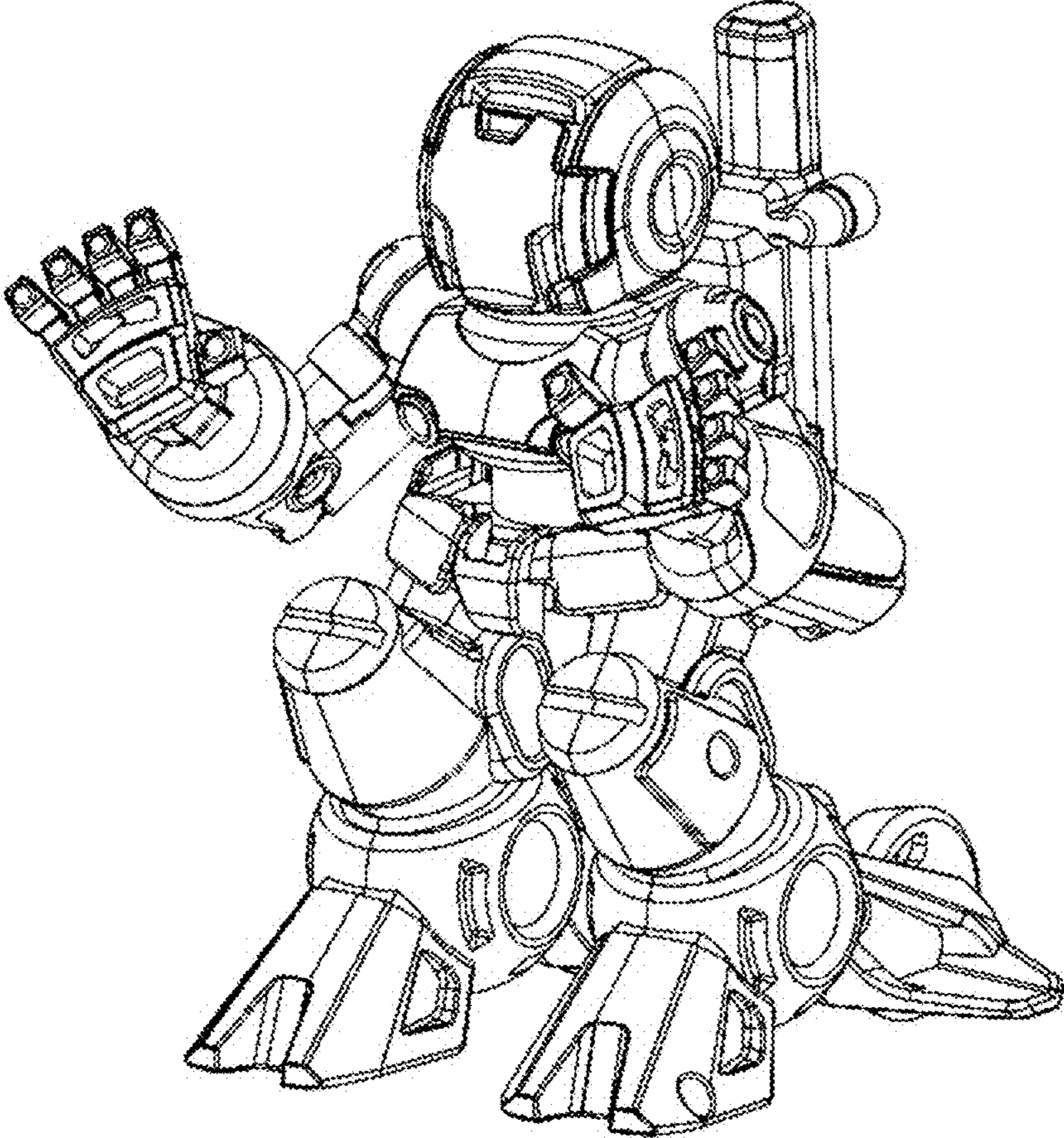


FIG. 2

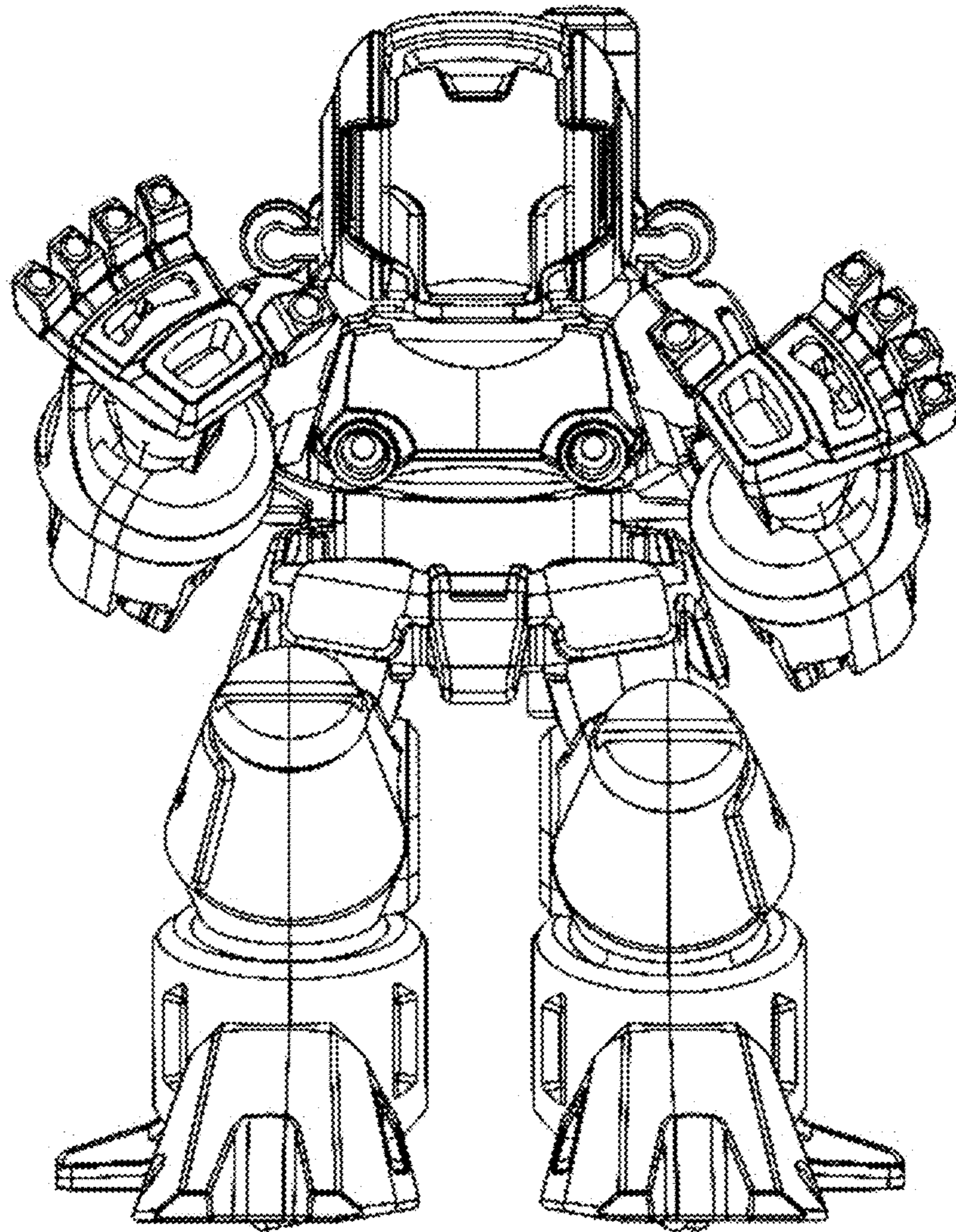


FIG. 3

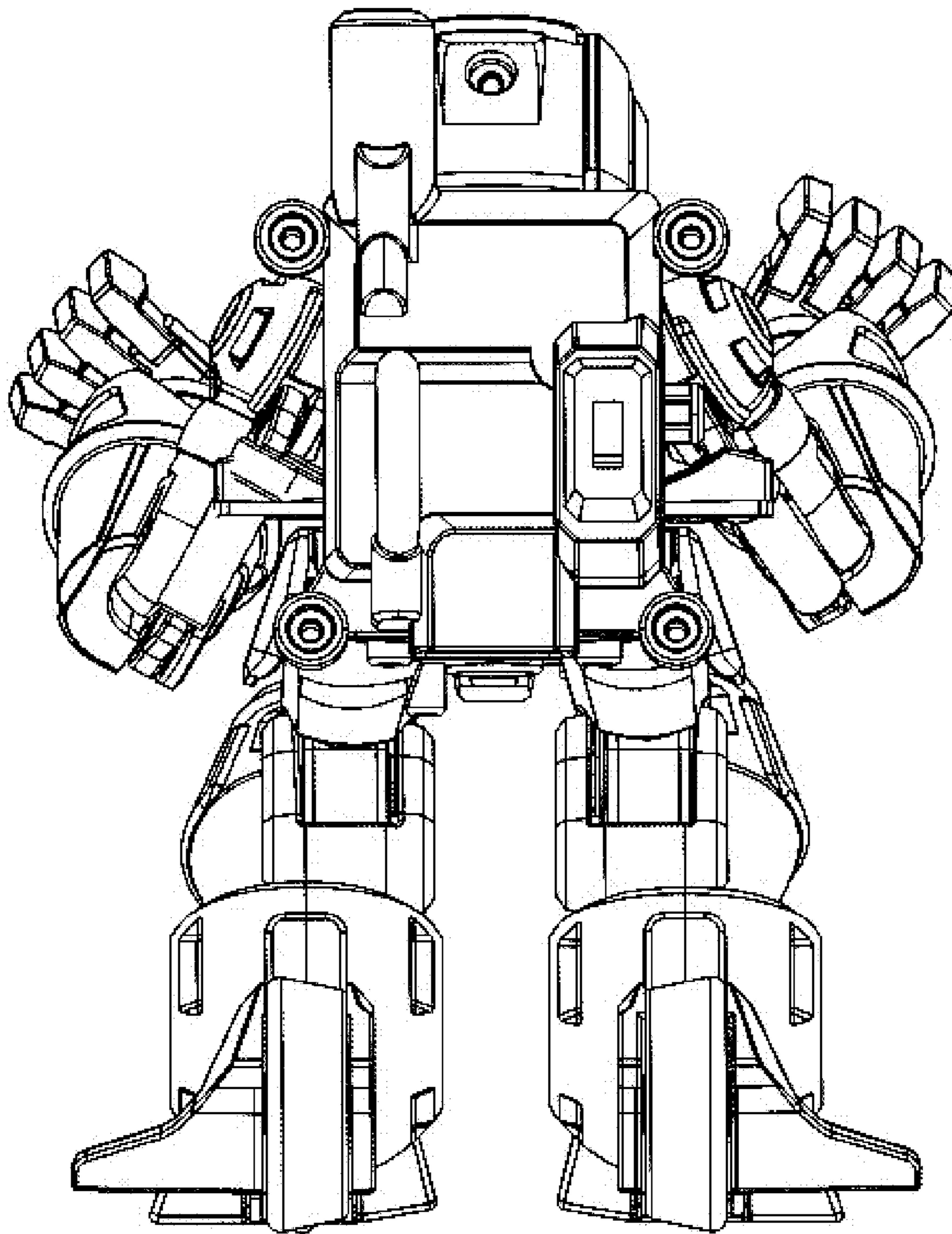


FIG. 4

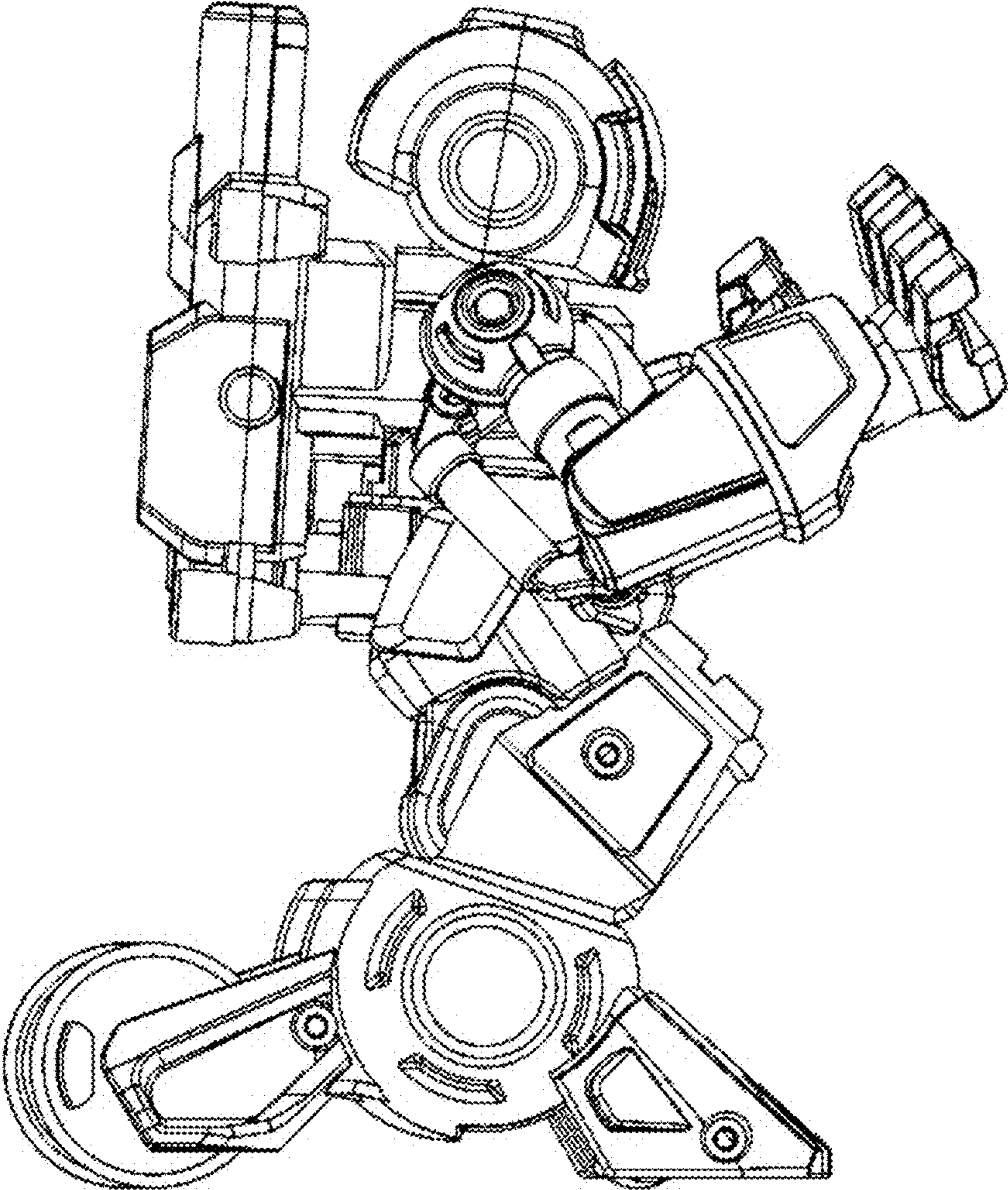


FIG. 5

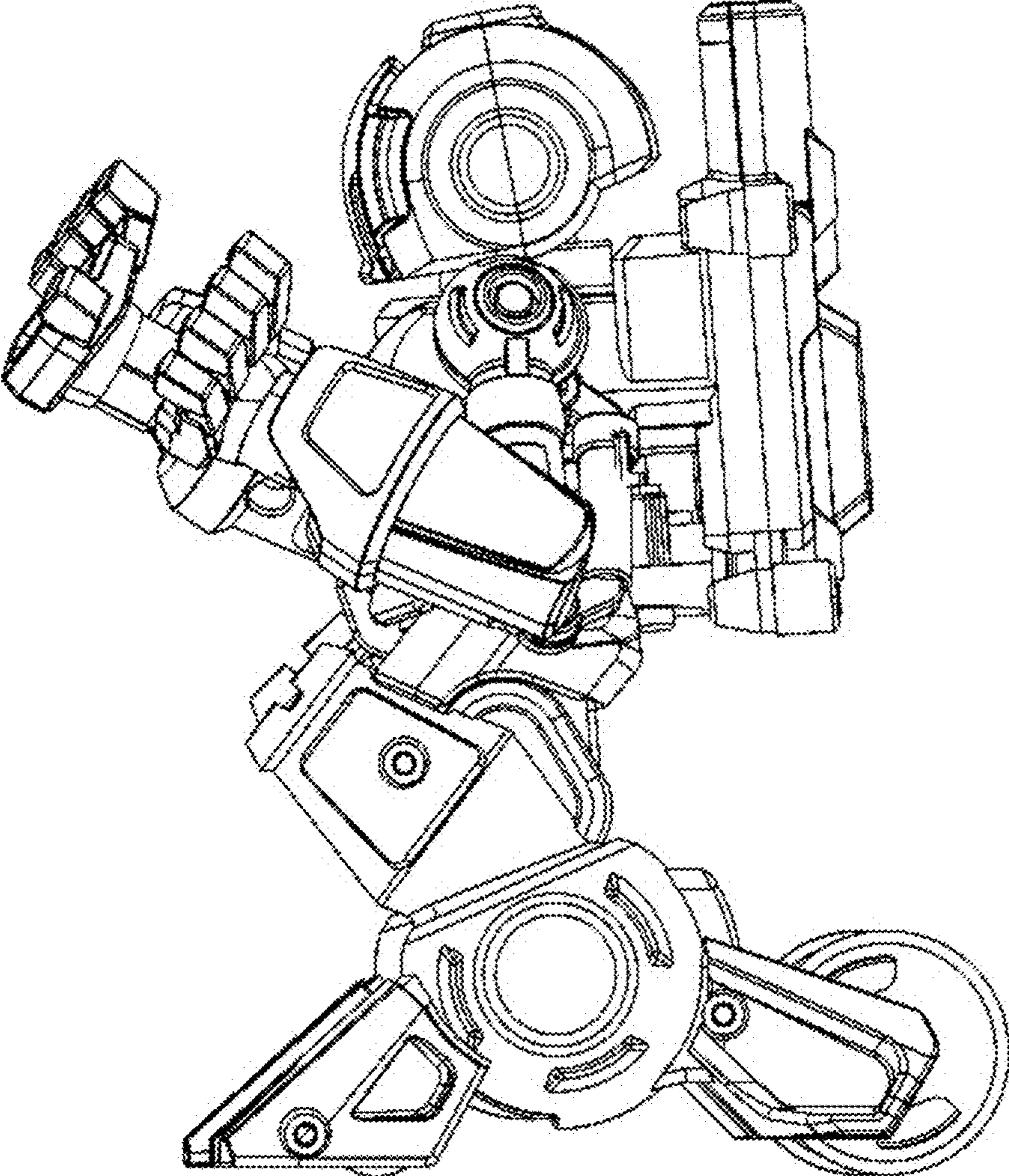


FIG. 6

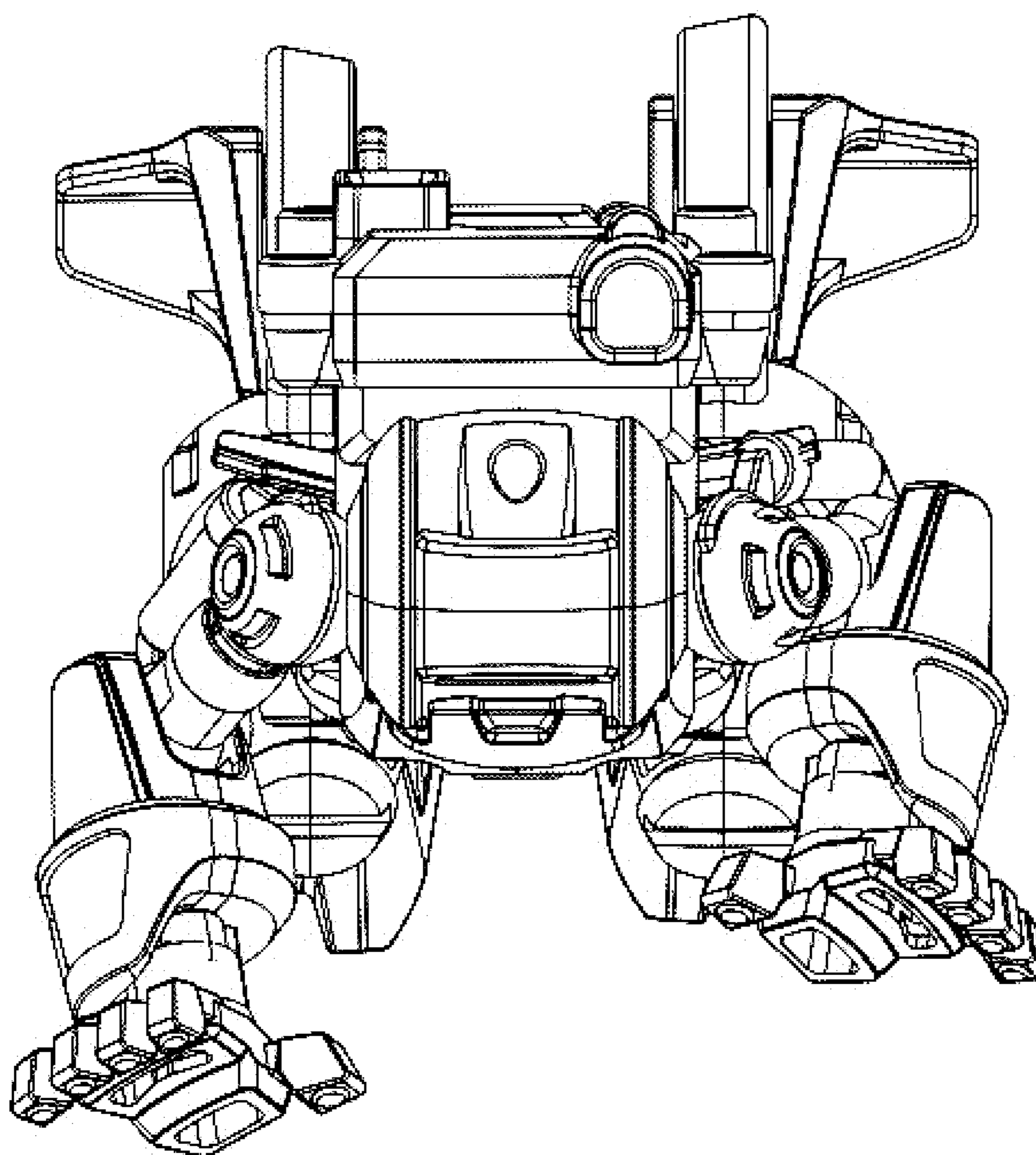


FIG. 7

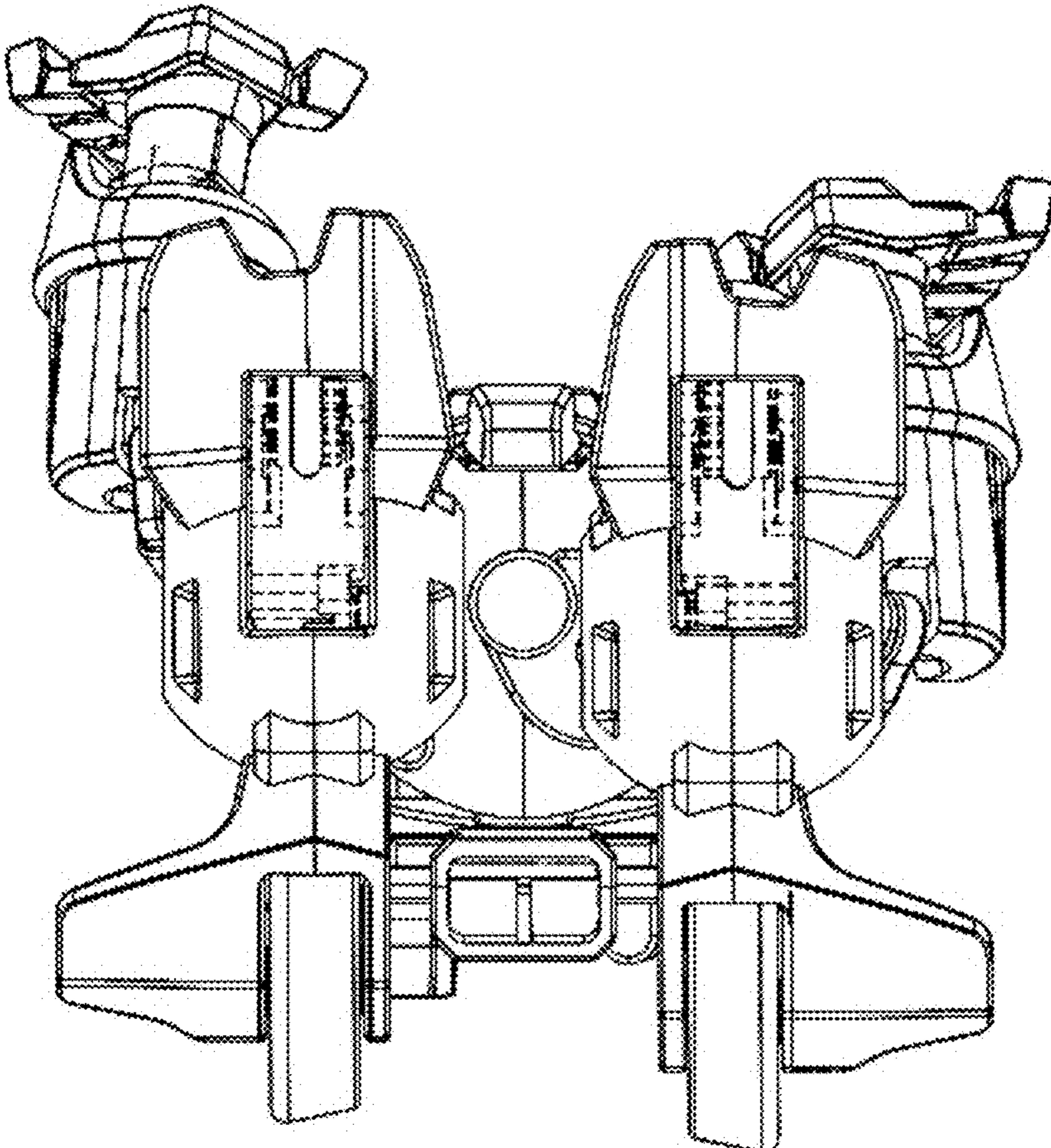




FIG. 8

