



US00D715378S

(12) **United States Design Patent**
Coulter

(10) **Patent No.:** **US D715,378 S**

(45) **Date of Patent:** **** Oct. 14, 2014**

(54) **PNEUMATIC GUN BOLT**

D571,415 S * 6/2008 Jones D21/573
7,591,262 B2 * 9/2009 Jones et al. 124/77
D679,342 S * 4/2013 Coulter D21/573

(71) Applicant: **Todd Coulter**, Hoosick Falls, NY (US)

* cited by examiner

(72) Inventor: **Todd Coulter**, Hoosick Falls, NY (US)

Primary Examiner — Cynthia M Chin

(**) Term: **14 Years**

(74) *Attorney, Agent, or Firm* — QuickPatents; Kevin Prince

(21) Appl. No.: **29/441,460**

(22) Filed: **Jan. 4, 2013**

(57) **CLAIM**

I claim the ornamental design for a pneumatic gun bolt, as shown and described.

(51) **LOC (10) Cl.** **21-01**

(52) **U.S. Cl.**
USPC **D21/573**

DESCRIPTION

(58) **Field of Classification Search**
USPC D21/567, 570, 572, 573, 574, 575;
D22/100, 101, 103, 108, 109; 124/25,
124/41.1, 45, 49, 51.1, 55, 56, 69, 70-74,
124/76, 79; 42/15, 16, 69.02, 69.03, 142;
89/1.42

FIG. 1 is a top perspective view of a pneumatic gun bolt, showing my new design;
FIG. 2 is an exploded top perspective view thereof;
FIG. 3 is a bottom perspective view thereof;
FIG. 4 is an exploded bottom perspective view thereof;
FIG. 5 is an exploded front elevational view thereof;
FIG. 6 is an exploded rear elevational view thereof;
FIG. 7 is an exploded right-side elevational view thereof;
FIG. 8 is an exploded left-side elevational view thereof;
FIG. 9 is an exploded top plan view thereof; and,
FIG. 10 is an exploded bottom plan view thereof.

See application file for complete search history.

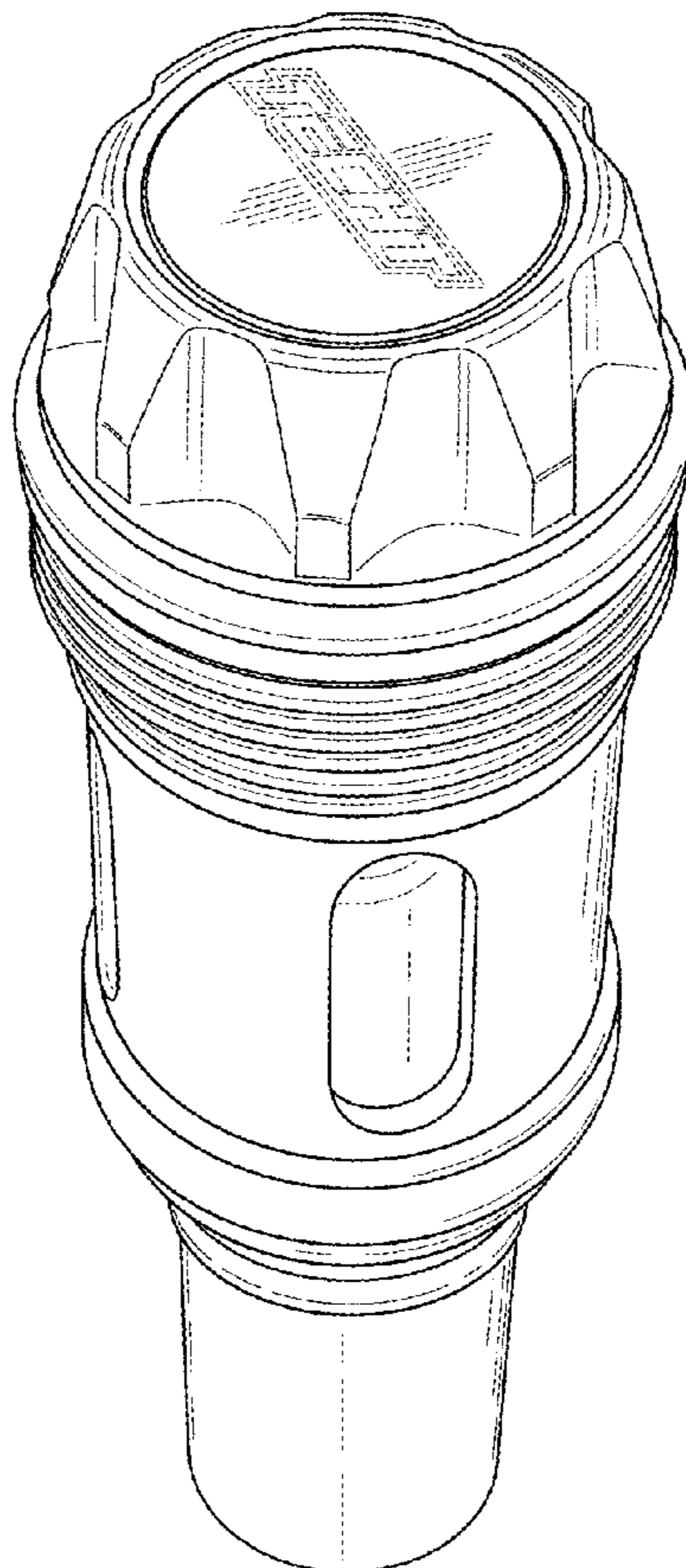
The broken lines in the drawings illustrate environmental matter and form no part of the claimed design.

(56) **References Cited**

U.S. PATENT DOCUMENTS

6,213,112 B1 * 4/2001 Squire 124/74
D478,146 S * 8/2003 Wygant D22/108
6,715,480 B2 * 4/2004 Dziob 124/73
7,077,117 B1 * 7/2006 Chu 124/32

1 Claim, 5 Drawing Sheets



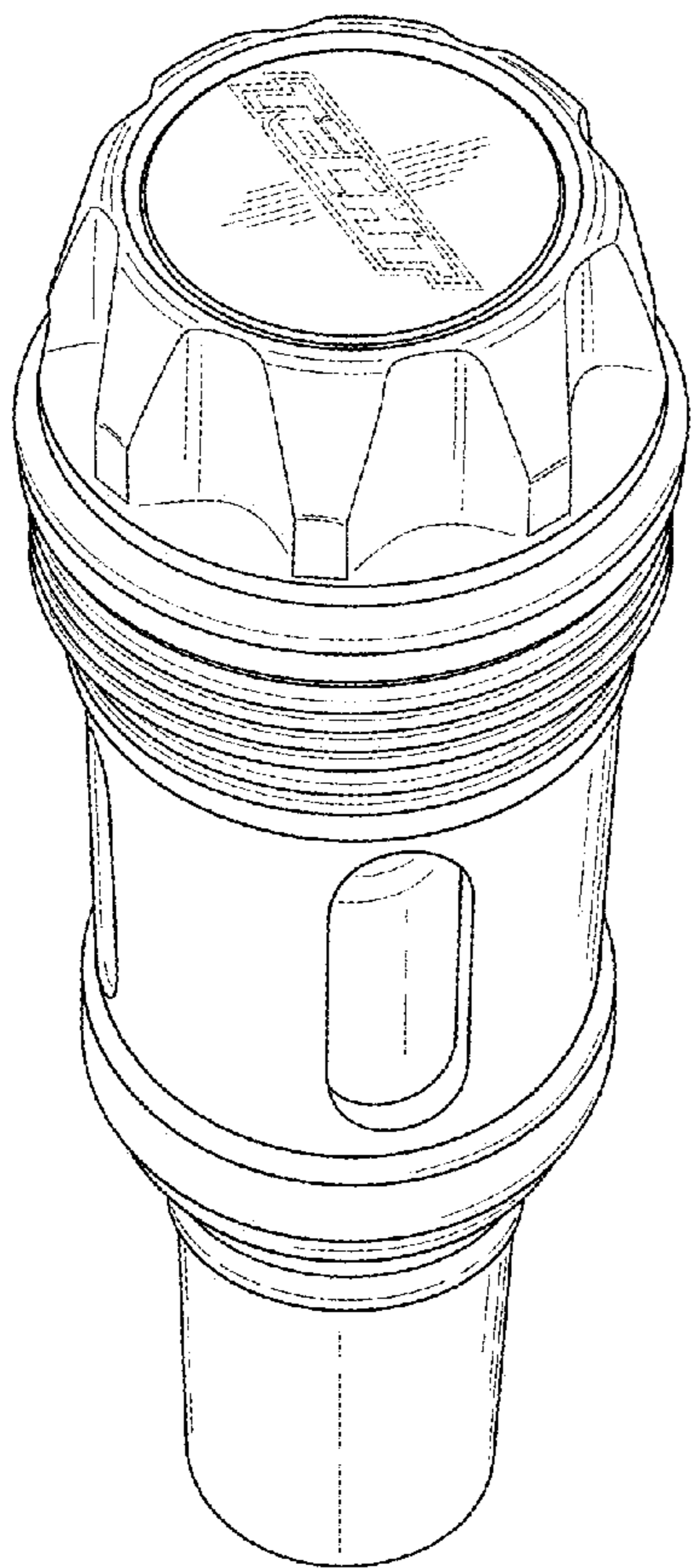


FIG. 1

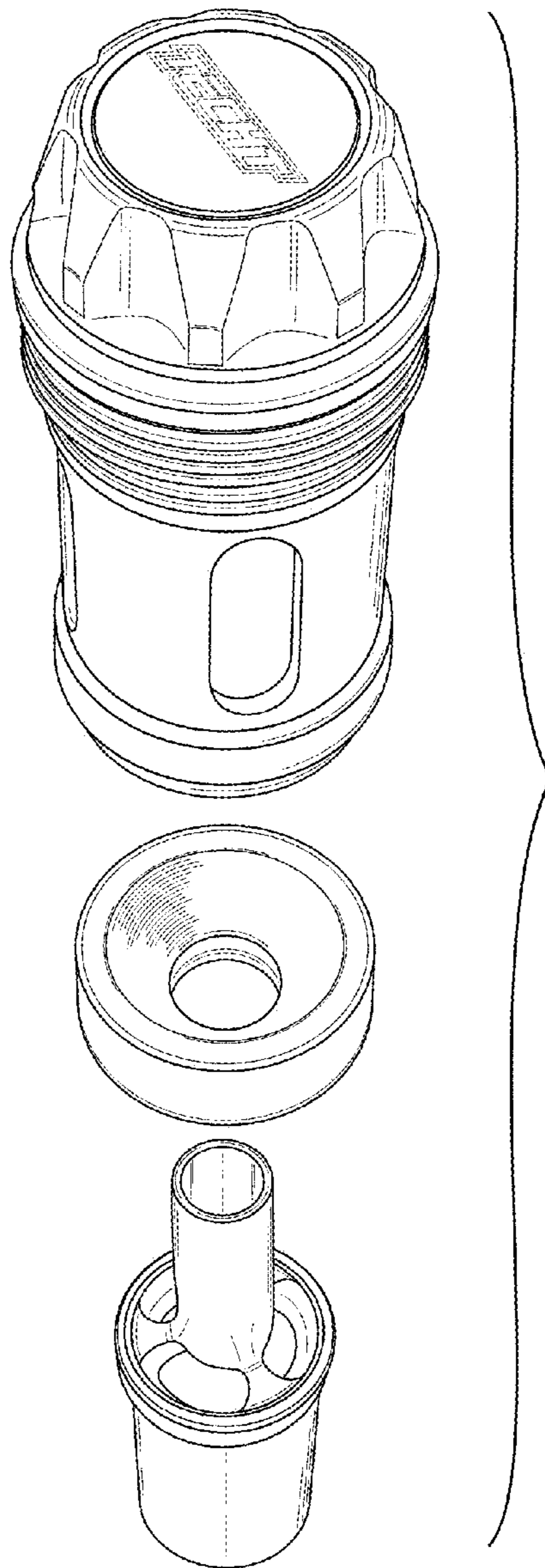


FIG. 2

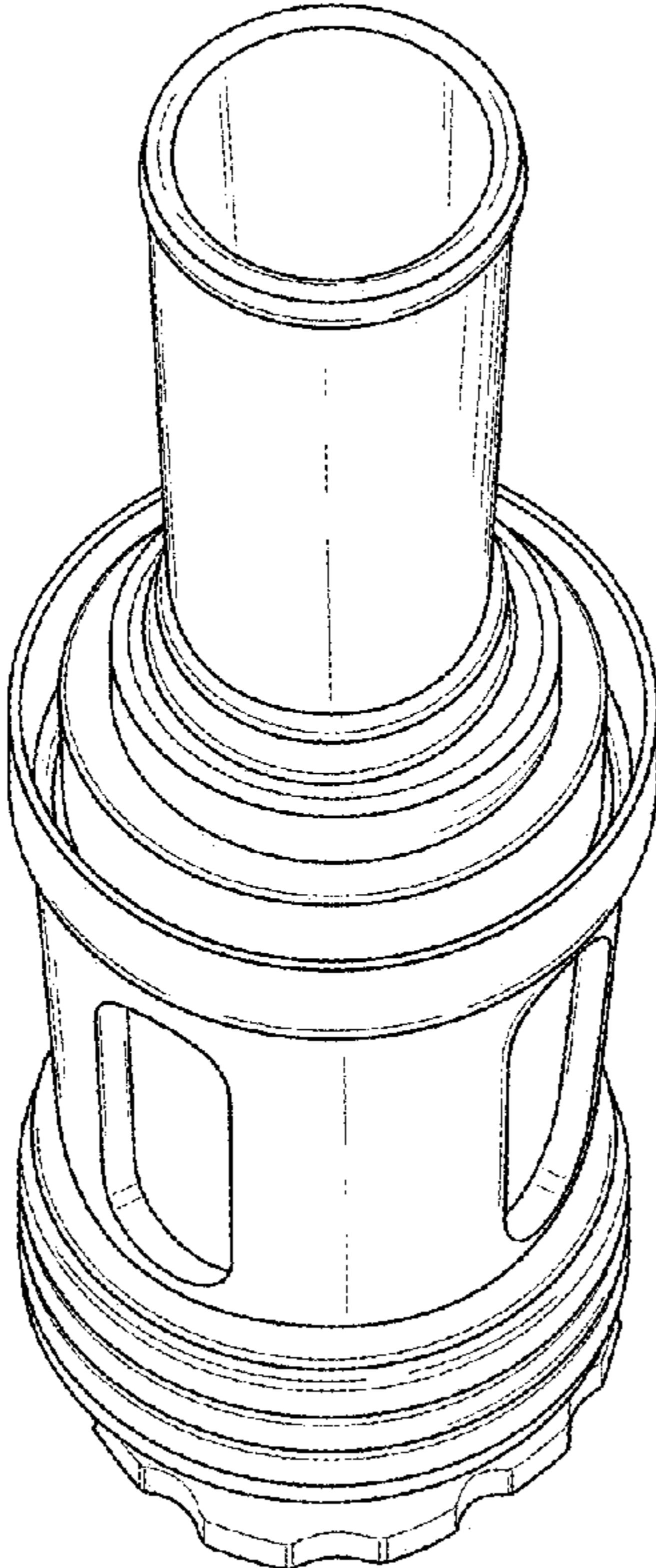


FIG. 3

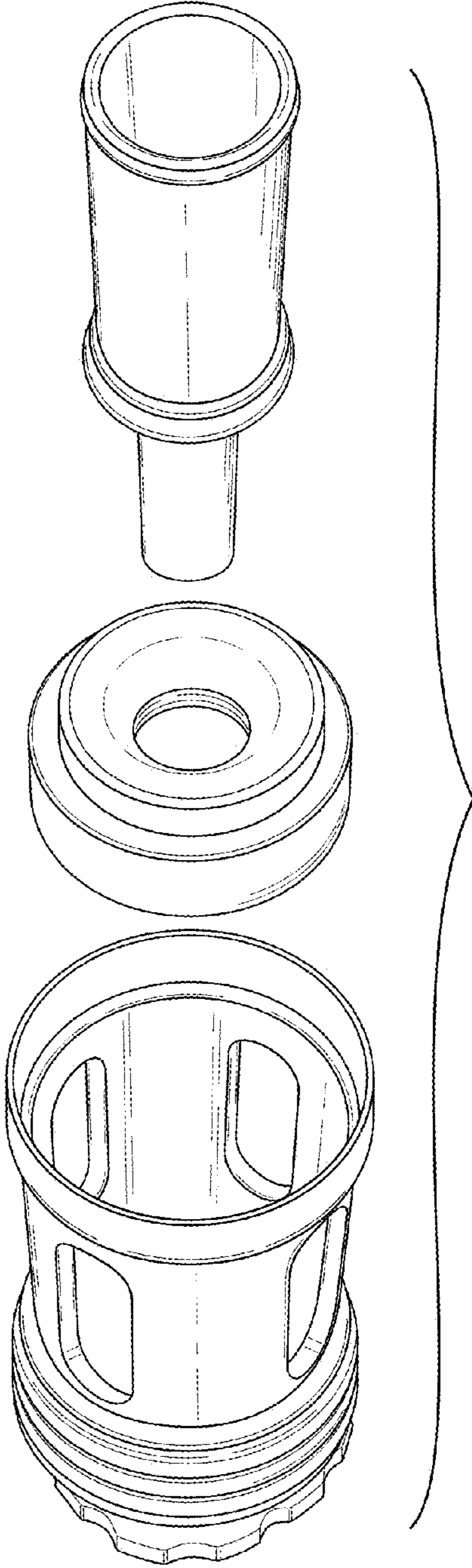


FIG. 4

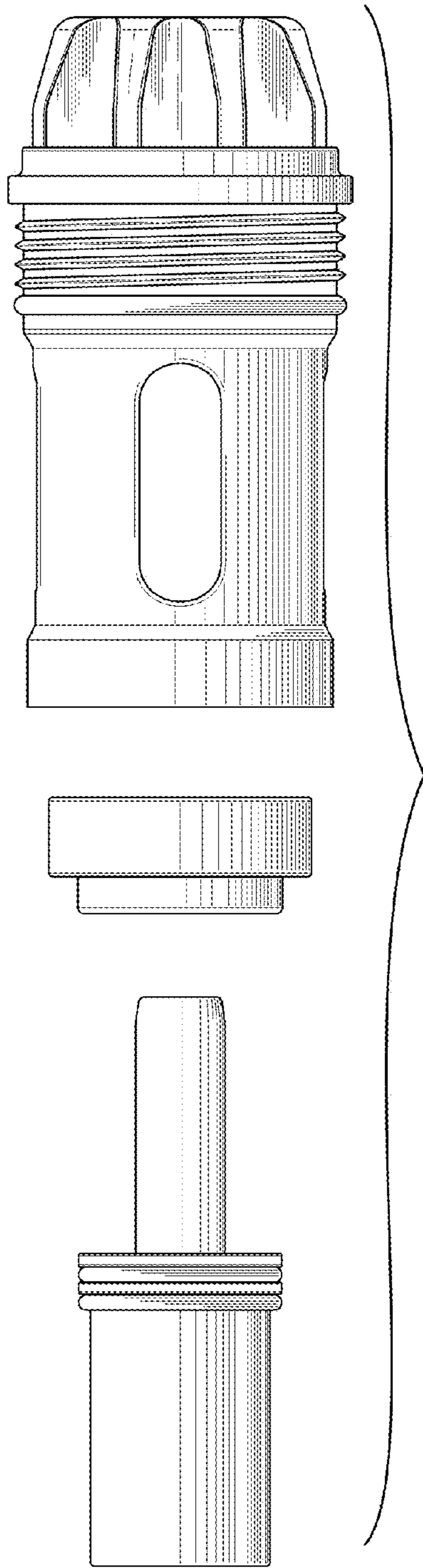


FIG. 5

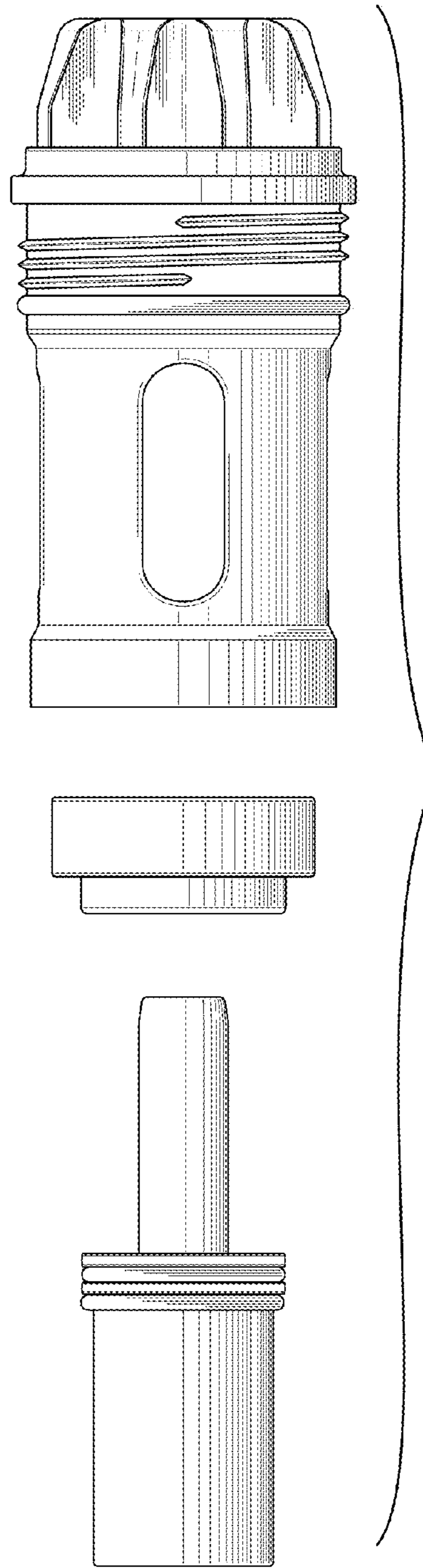


FIG. 6

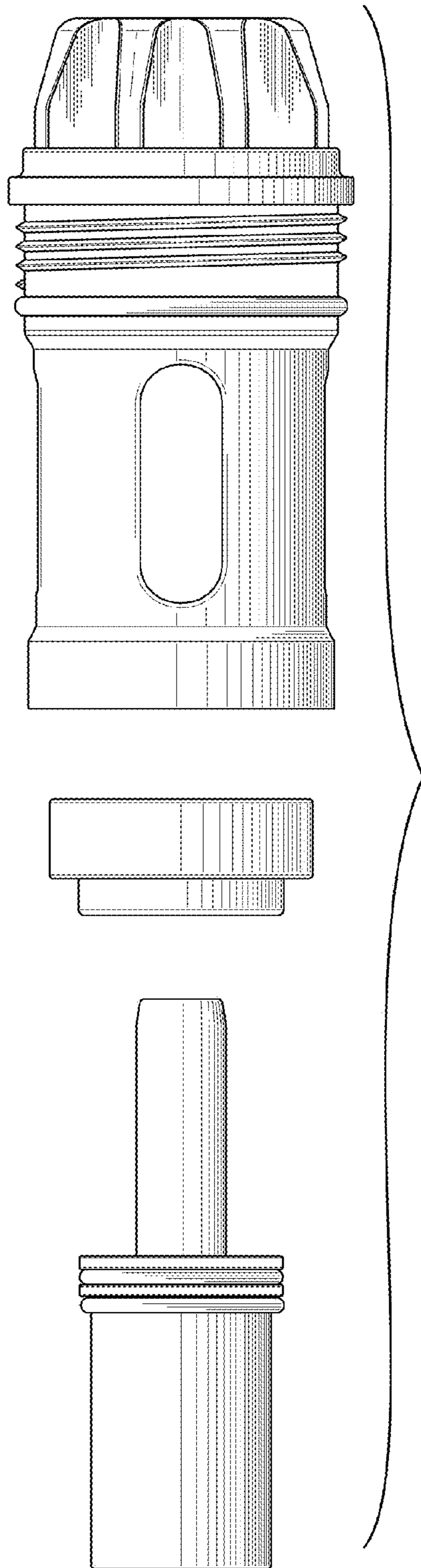


FIG. 7

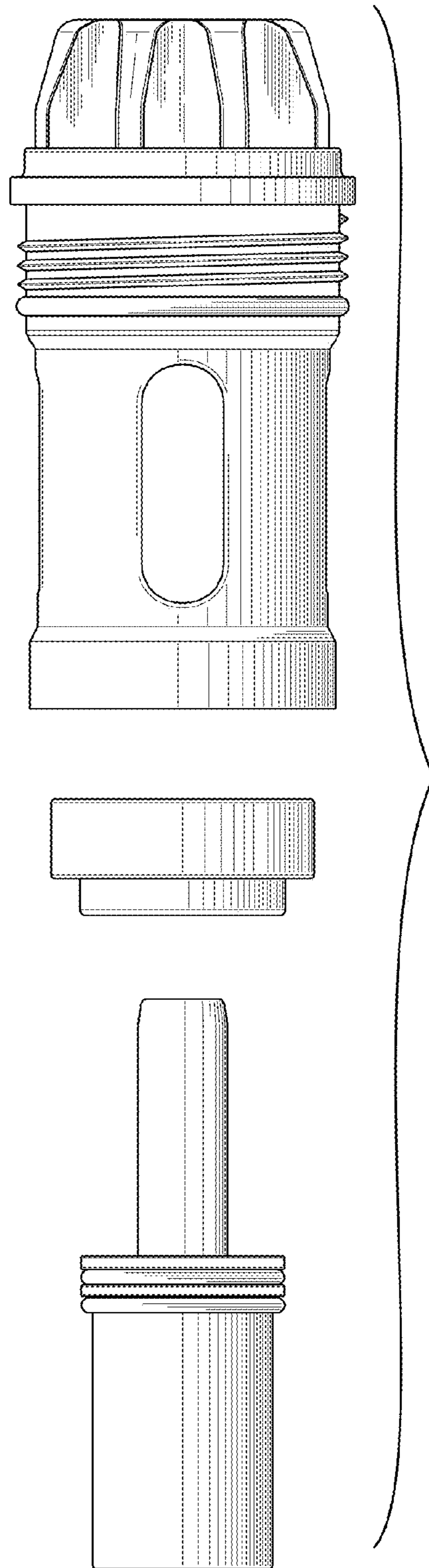


FIG. 8

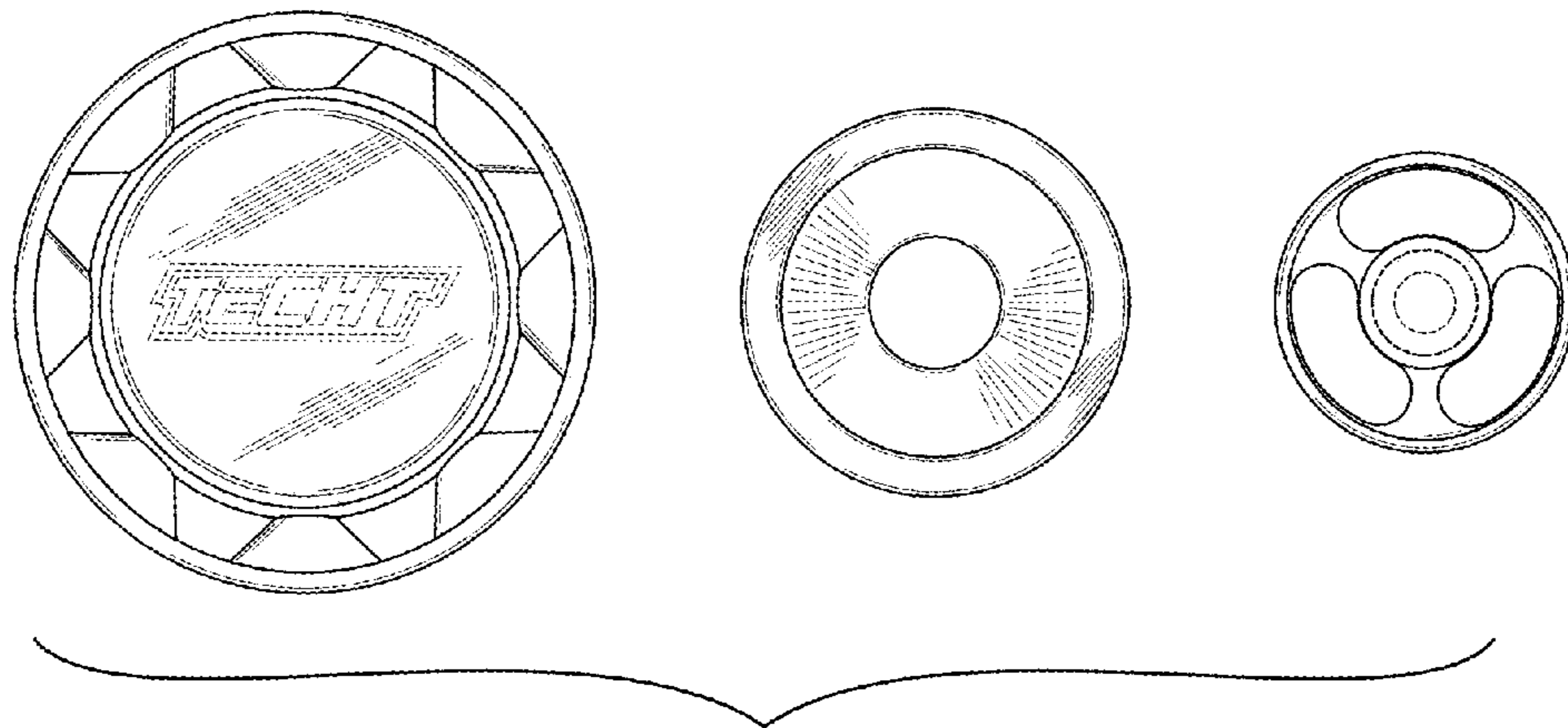


FIG. 9

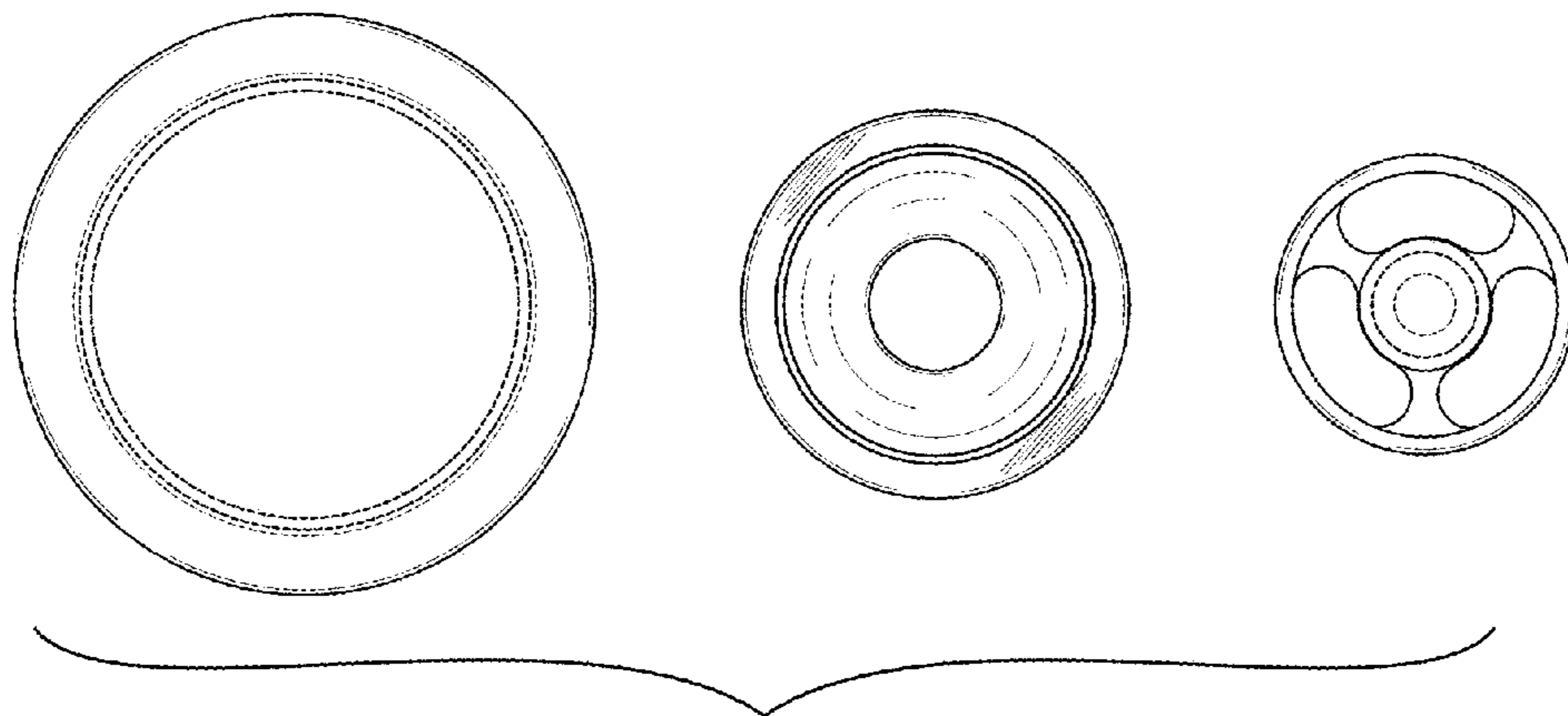


FIG. 10