



US00D715376S

(12) **United States Design Patent**
Dansereau

(10) **Patent No.:** **US D715,376 S**
(45) **Date of Patent:** **** Oct. 14, 2014**

- (54) **CONSTRUCTION SET ELEMENT**
- (71) Applicant: **MEGA Brands Inc.**, Montreal (CA)
- (72) Inventor: **Étienne Dansereau**, Montreal (CA)
- (73) Assignee: **MEGA Brands Inc.**, Montreal, Quebec (CA)
- (**) Term: **14 Years**
- (21) Appl. No.: **29/468,560**
- (22) Filed: **Oct. 1, 2013**
- (51) **LOC (10) Cl.** **21-01**
- (52) **U.S. Cl.**
USPC **D21/503**
- (58) **Field of Classification Search**
CPC A63H 33/00; A63H 33/04; A63H 33/06;
A63H 33/08; A63H 33/10; A63H 33/12;
A63H 33/14; A63F 9/08; A63F 9/12; G09B
1/36
USPC D21/49-495, 500-505; D8/354, 382;
446/69, 89, 92, 102-128; 434/259,
434/208, 403; 52/503; 273/153, 156, 160
See application file for complete search history.

D367,503	S	*	2/1996	Schmidt et al.	D21/495
D395,064	S	*	6/1998	Pagel	D21/484
6,193,582	B1		2/2001	Gleim		
6,497,602	B2		12/2002	Kroigaard		
2008/0096462	A1		4/2008	Araki		
2012/0149275	A1		6/2012	Bertrand et al.		

FOREIGN PATENT DOCUMENTS

EP 0993851 A2 4/2004

* cited by examiner

Primary Examiner — Cynthia M Chin

(74) *Attorney, Agent, or Firm* — Plumsea Law Group, LLC

(57) **CLAIM**

The ornamental design for a construction set element, as shown and described.

DESCRIPTION

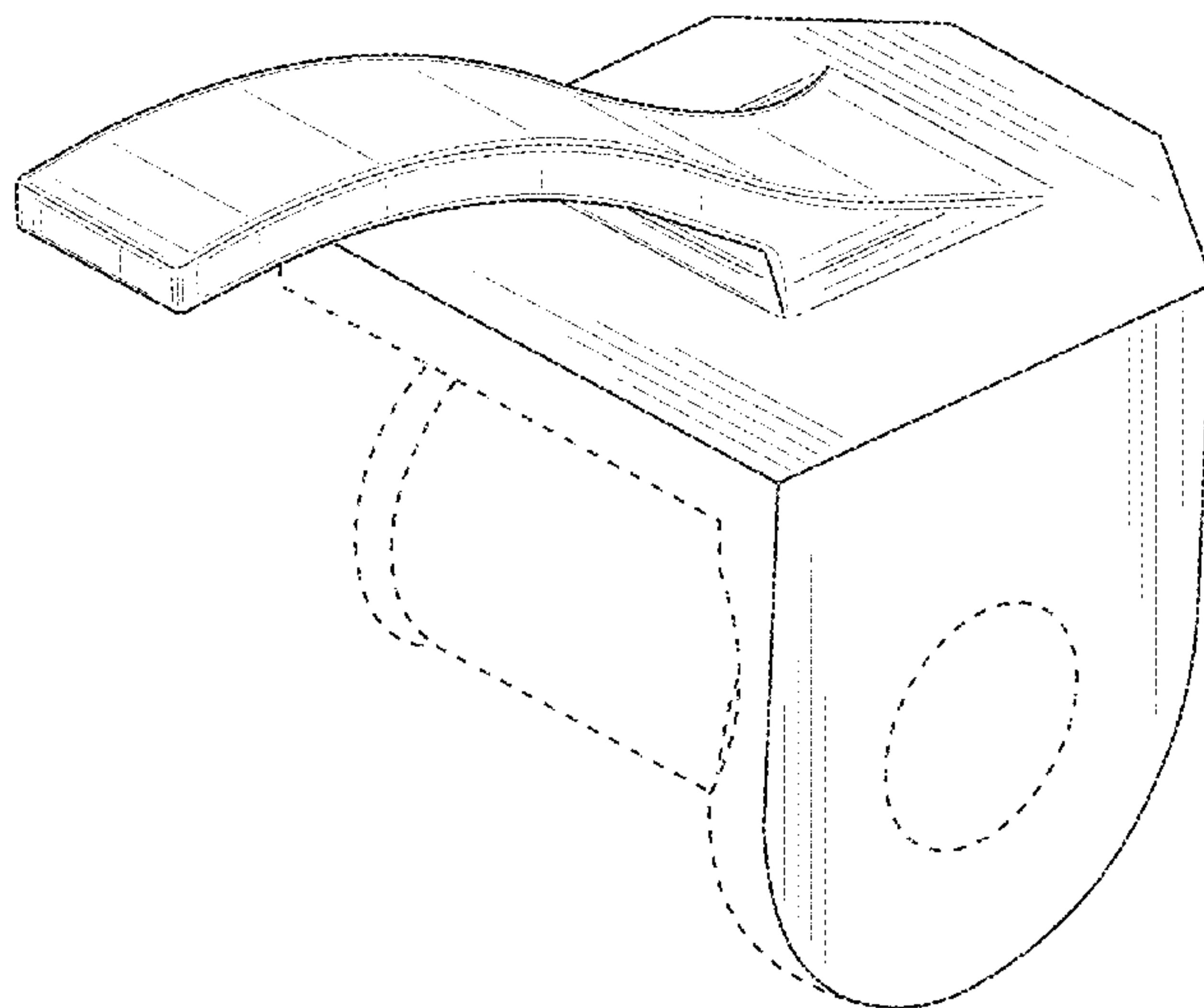
FIG. 1 is a top rear perspective view of a construction set element showing the new design;
 FIG. 2 is a front side elevational view of the construction set element of FIG. 1;
 FIG. 3 is a rear side elevational view of the construction set element of FIG. 1;
 FIG. 4 is a right side elevational view of the construction set element of FIG. 1;
 FIG. 5 is a left side elevational view of the construction set element of FIG. 1;
 FIG. 6 is a top plan view of the construction set element of FIG. 1; and,
 FIG. 7 is a bottom plan view of the construction set element of FIG. 1.
 The broken lines and unshaded areas form no part of the claimed design. In addition, the construction set element depicted in the drawings is the left side embodiment, the right side embodiment being a mirror image thereof. The claimed design covers both embodiments.

(56) **References Cited**

U.S. PATENT DOCUMENTS

2,175,942	A	*	10/1939	Longenecker	446/124
D223,463	S	*	4/1972	Daenen	D21/503
4,185,410	A		1/1980	Kristiansen		
D304,221	S		10/1989	Poulsen		
D304,472	S	*	11/1989	Poulsen	D21/561
D309,638	S	*	7/1990	Meyer	D21/495
D311,942	S		11/1990	Dideriksen		
D325,052	S	*	3/1992	Andersen	D21/495
D357,511	S	*	4/1995	Ryaa et al.	D21/493
5,427,558	A		6/1995	Knudsen et al.		
D360,000	S	*	7/1995	Hatting et al.	D21/502

1 Claim, 7 Drawing Sheets



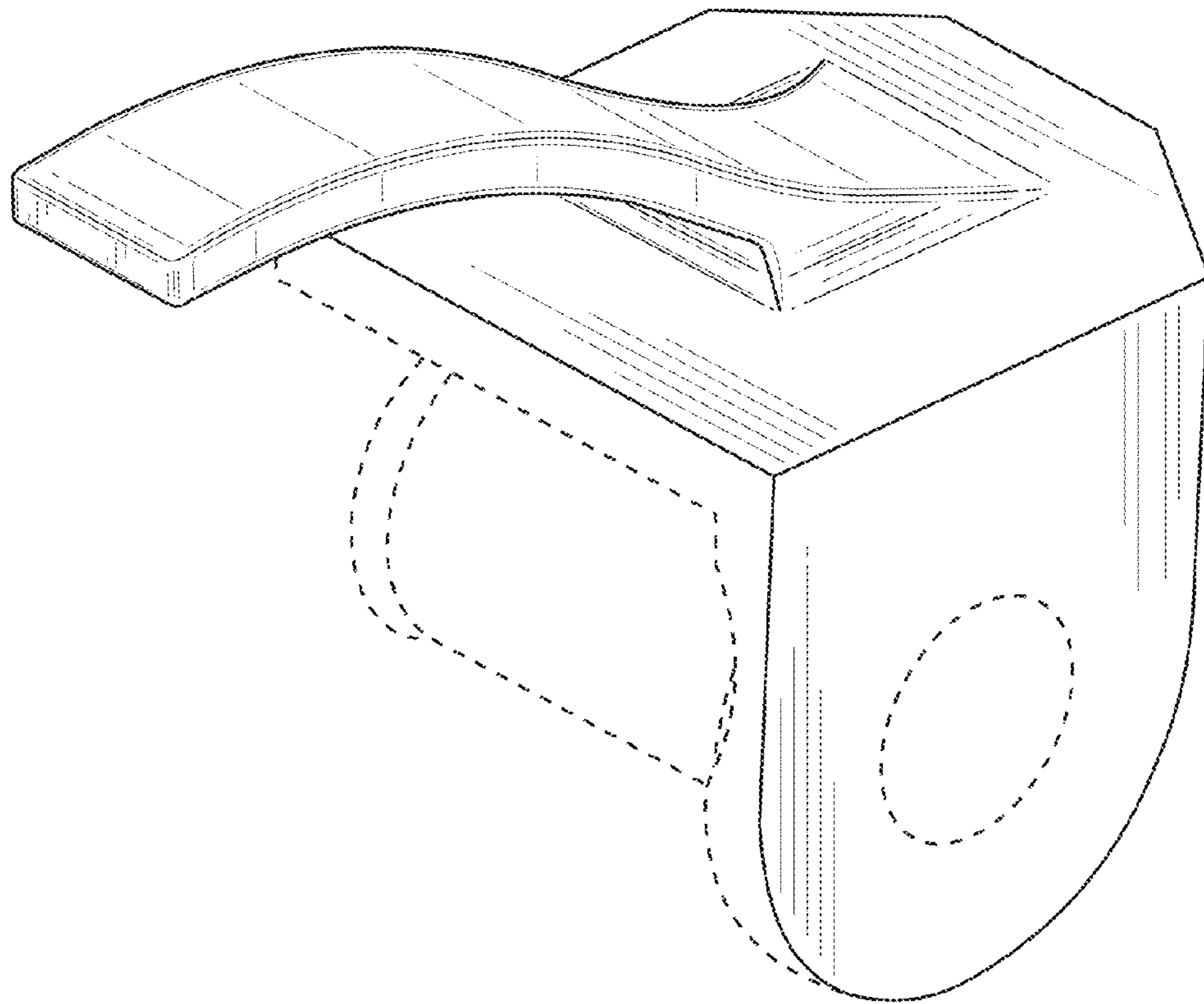


FIG. 1

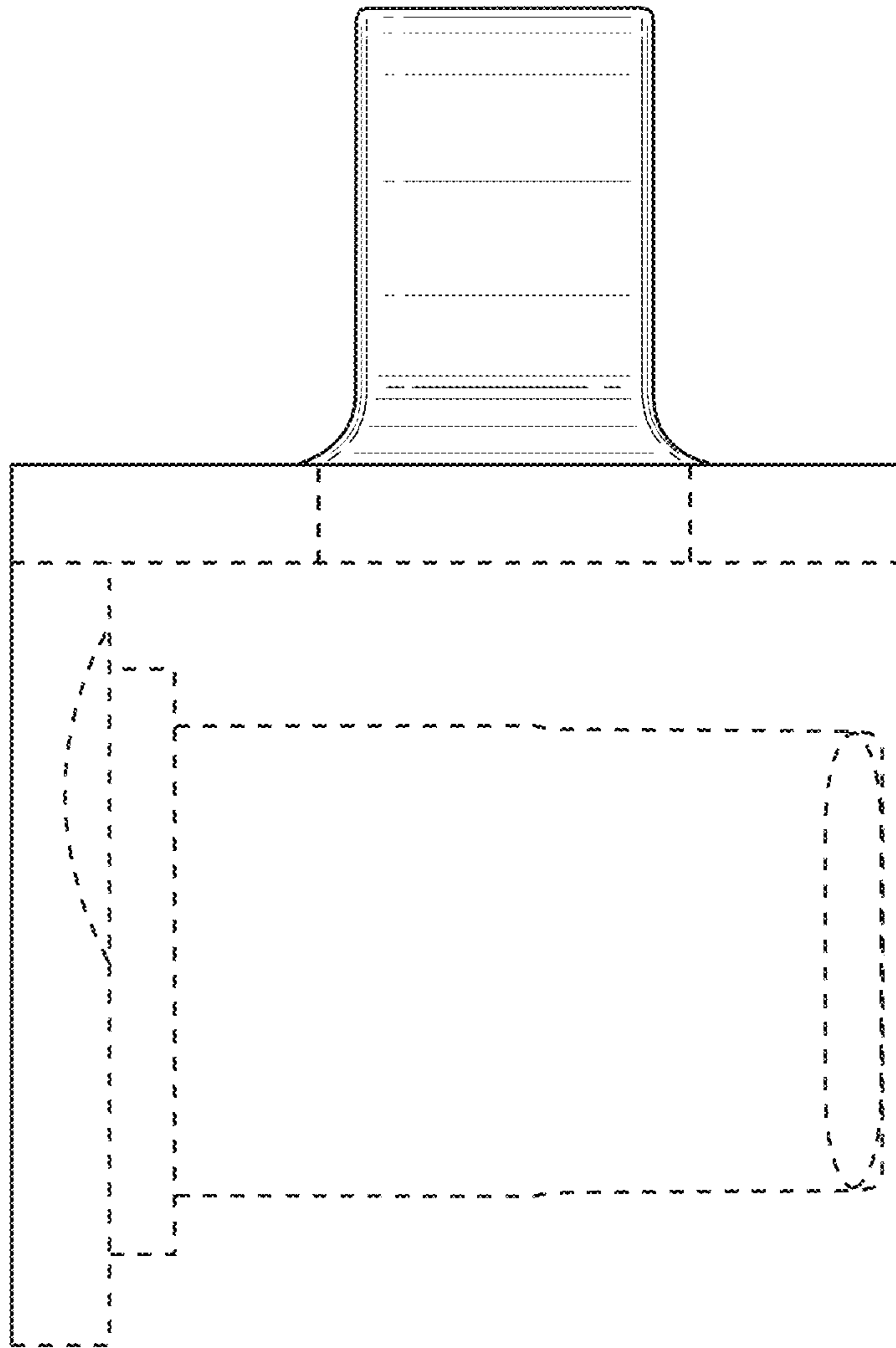


FIG. 2

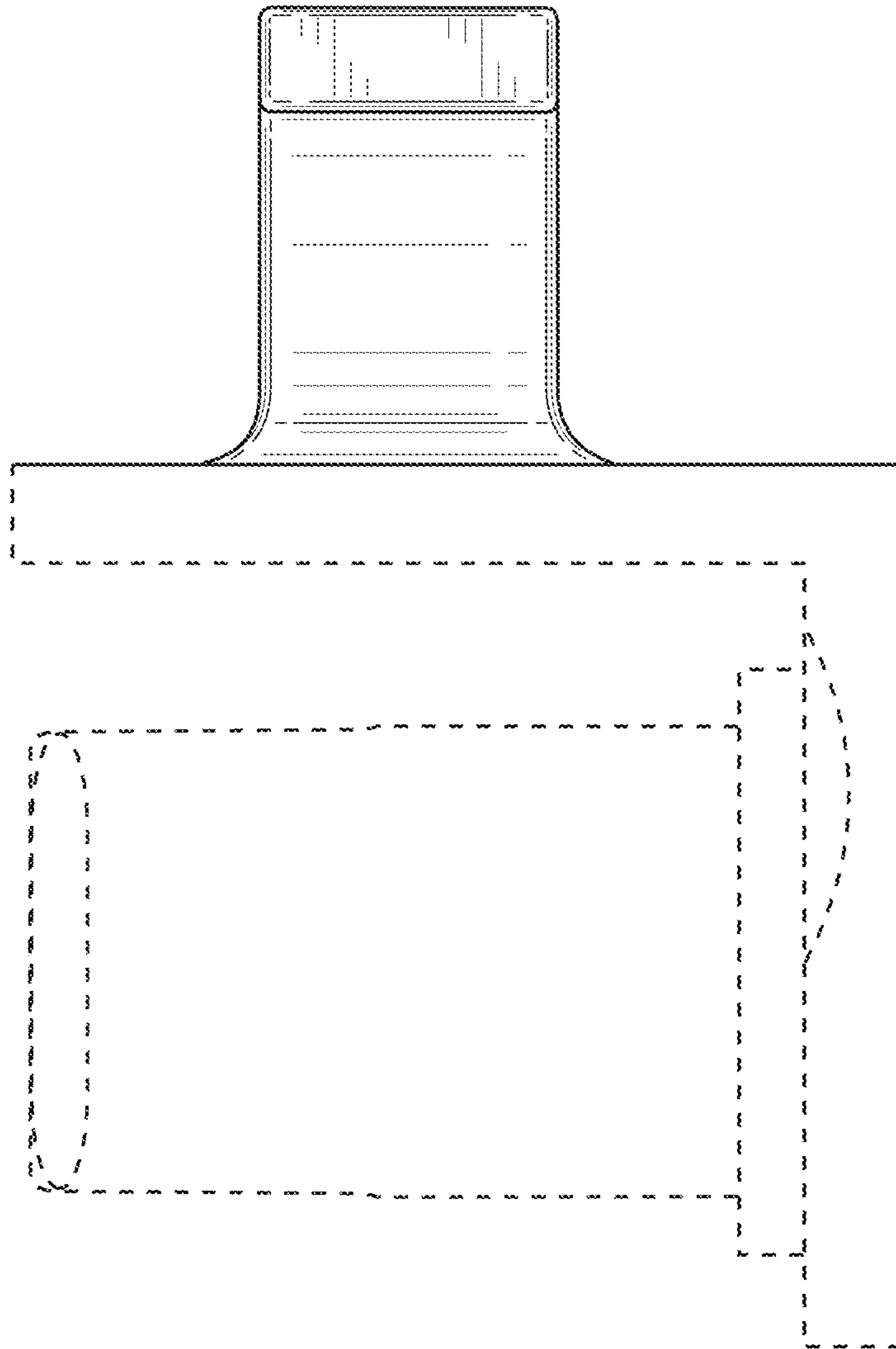


FIG. 3

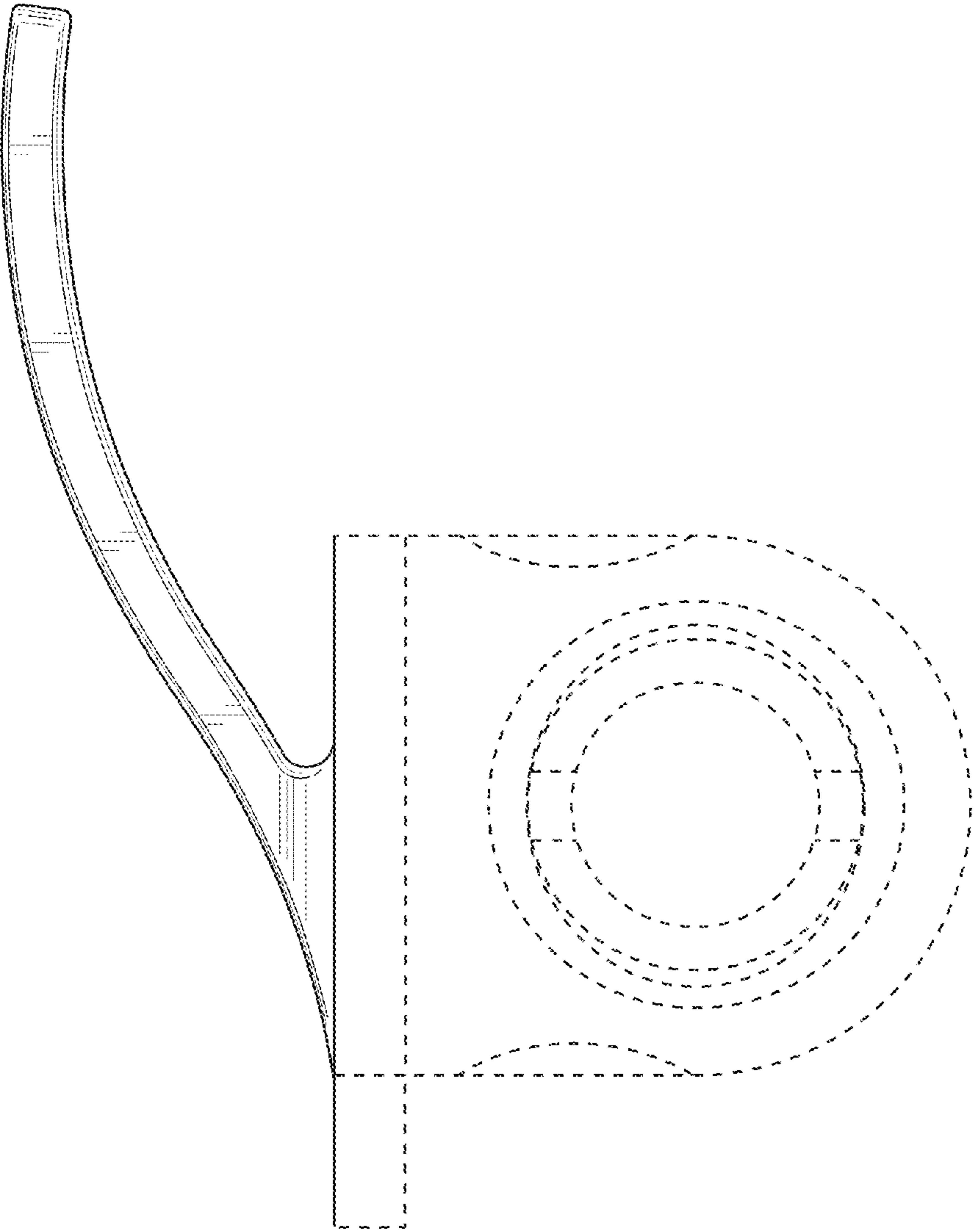


FIG. 4

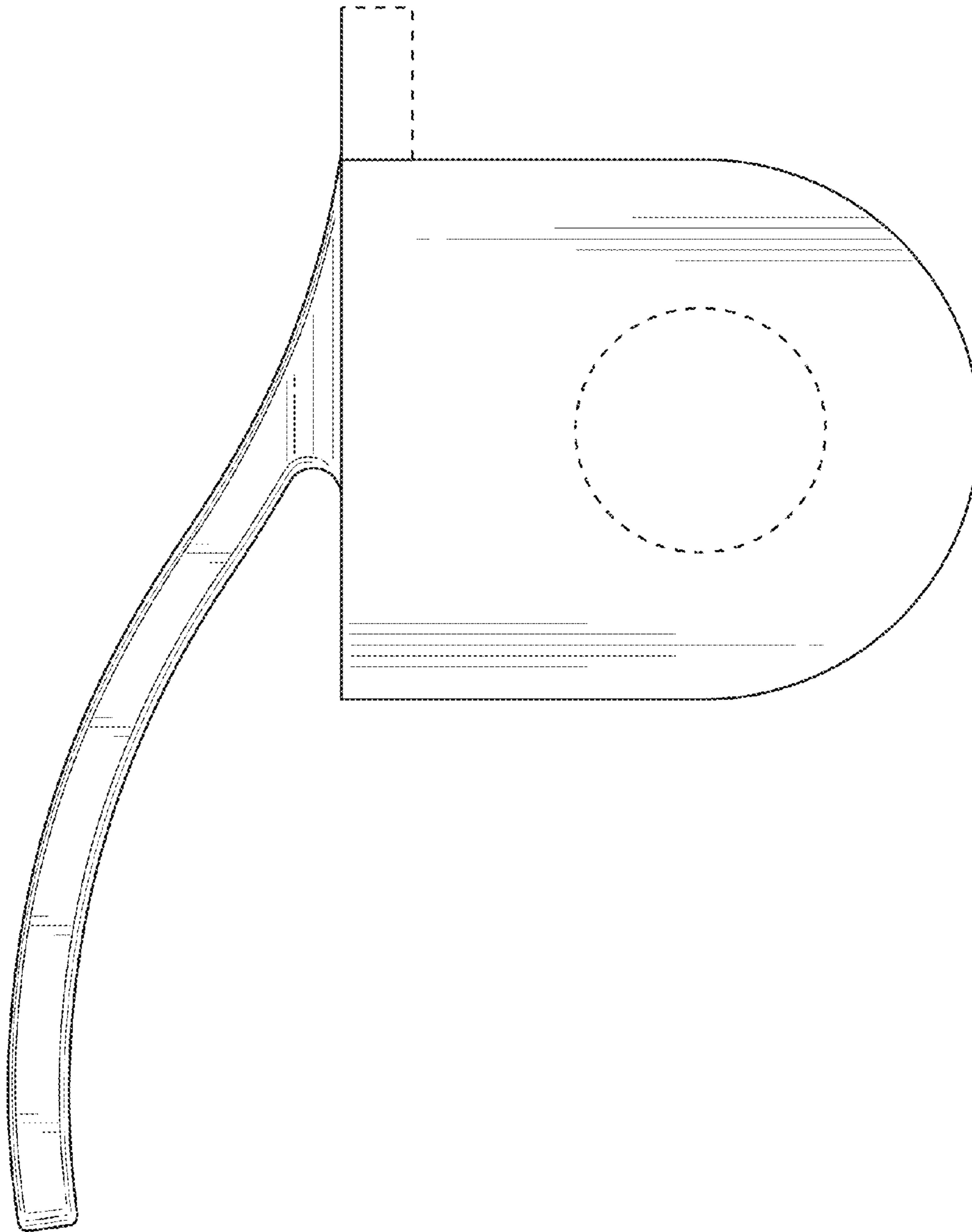


FIG. 5

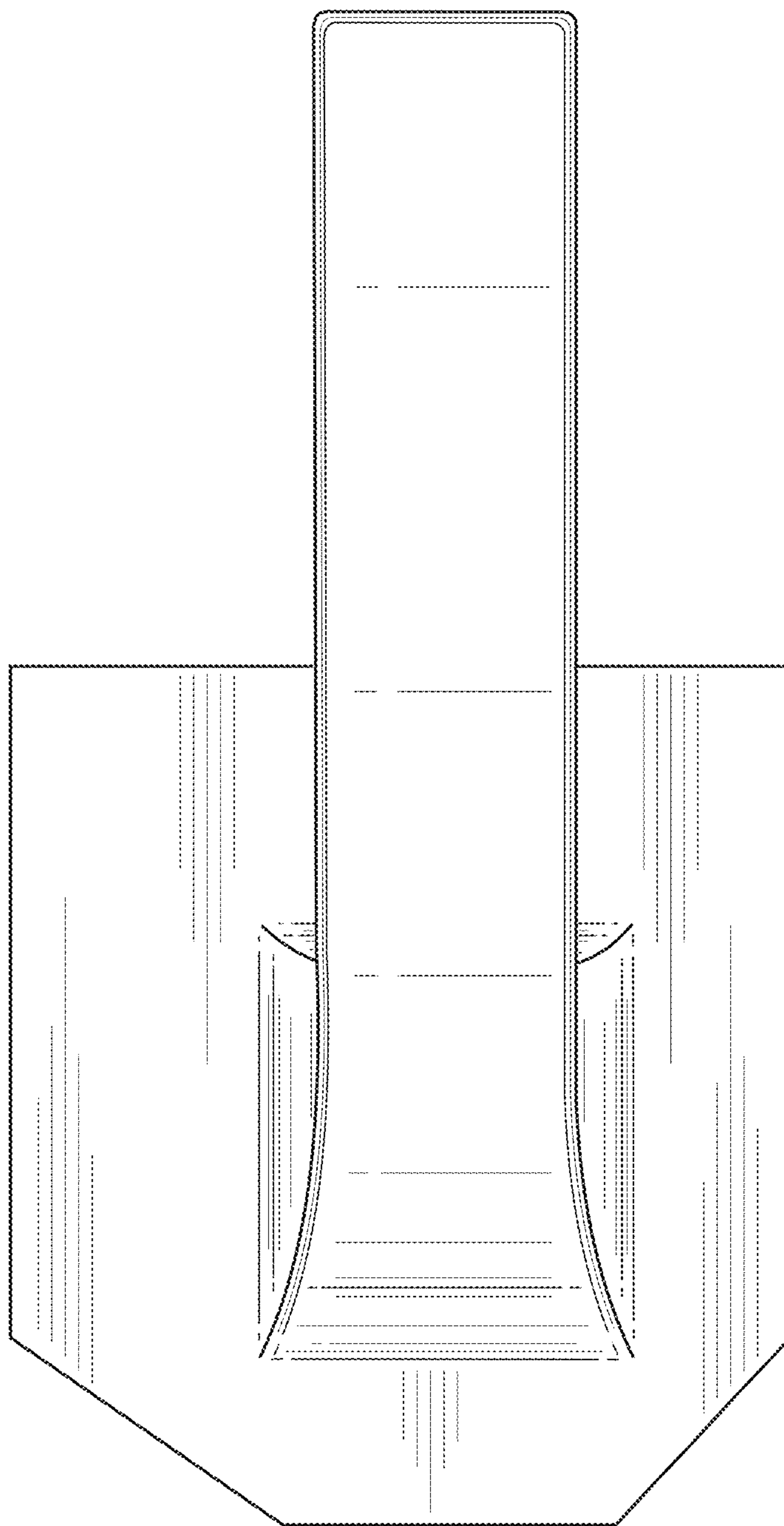


FIG. 6

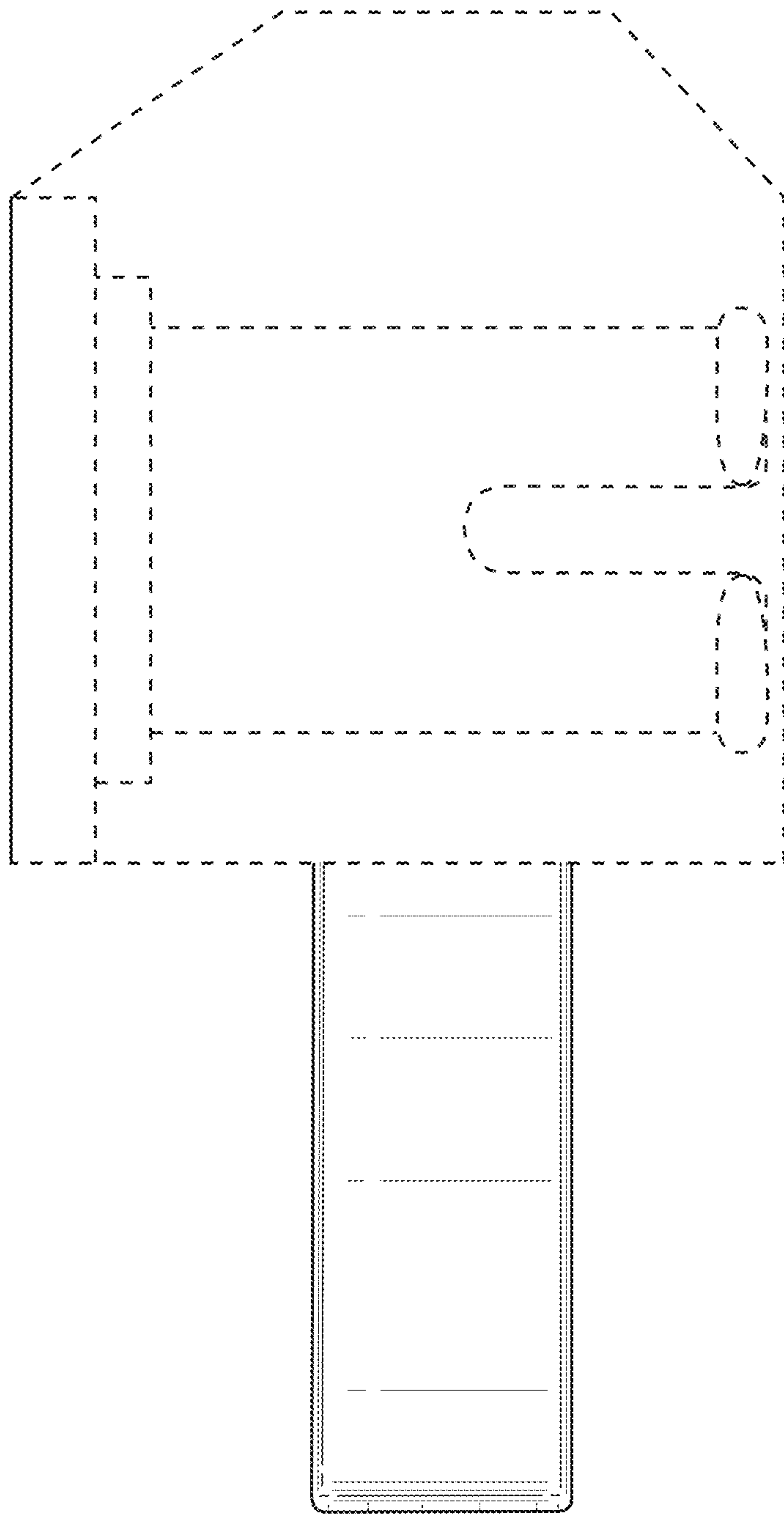


FIG. 7