



US00D715375S

(12) **United States Design Patent**
Li

(10) **Patent No.:** **US D715,375 S**
(45) **Date of Patent:** **** Oct. 14, 2014**

(54) **SNOW BRICK MAKER**
(71) Applicant: **Shantou Top Toys Co., Ltd**, Guangdong (CN)
(72) Inventor: **Fengchao Li**, Guangdong (CN)
(73) Assignee: **Shantou Top Toys Co., Ltd**, Shantou (CN)

(**) Term: **14 Years**

(21) Appl. No.: **29/476,860**

(22) Filed: **Dec. 18, 2013**

(51) **LOC (10) Cl.** **21-01**

(52) **U.S. Cl.**
USPC **D21/468; D21/472**

(58) **Field of Classification Search**
USPC D21/468, 471, 472, 483, 484, 493, 494, D21/506-511; D15/90, 136; 446/70, 71, 76, 446/85, 86, 476; 249/55, 66.1, 104, 117, 249/119, 126, 127, 129, 140; 425/DIG. 57
See application file for complete search history.

(56) **References Cited**

U.S. PATENT DOCUMENTS

294,607 A * 3/1884 Frost 446/124
D22,298 S * 3/1893 Smith, Sr. D15/90

2,458,728 A * 1/1949 Plhak 425/317
D219,526 S * 12/1970 Reading D21/472
3,561,155 A * 2/1971 Tarrson 446/70
D220,048 S * 3/1971 Reading D21/472
3,685,942 A * 8/1972 Shaffer 425/276
3,717,431 A * 2/1973 Matsuda 425/318
3,816,048 A * 6/1974 Berry et al. 425/318
D246,064 S * 10/1977 Koblick D21/472
4,154,423 A * 5/1979 Crock 249/134
4,262,442 A * 4/1981 Mansfield 446/70
D332,643 S * 1/1993 Knudsen D21/484

* cited by examiner

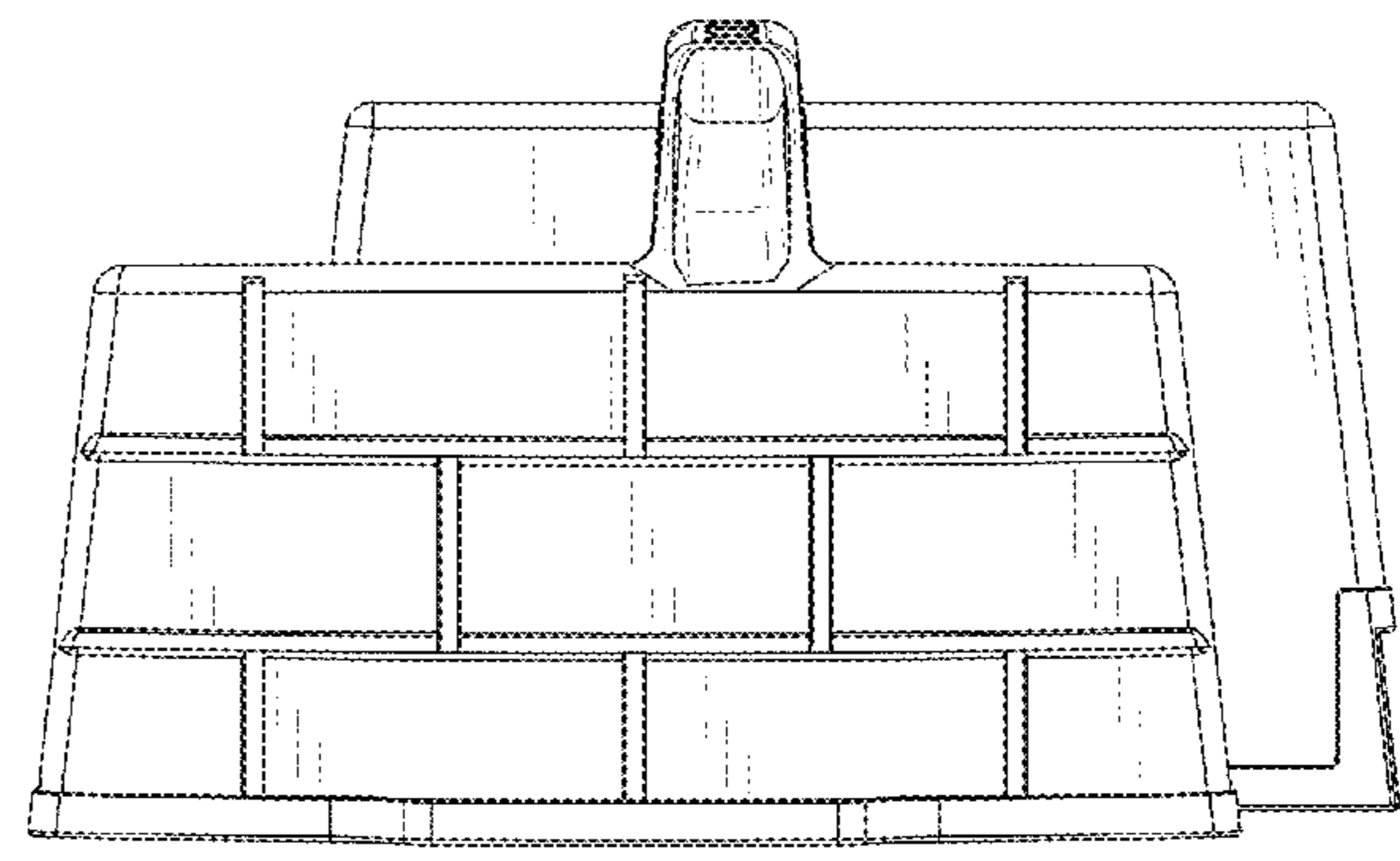
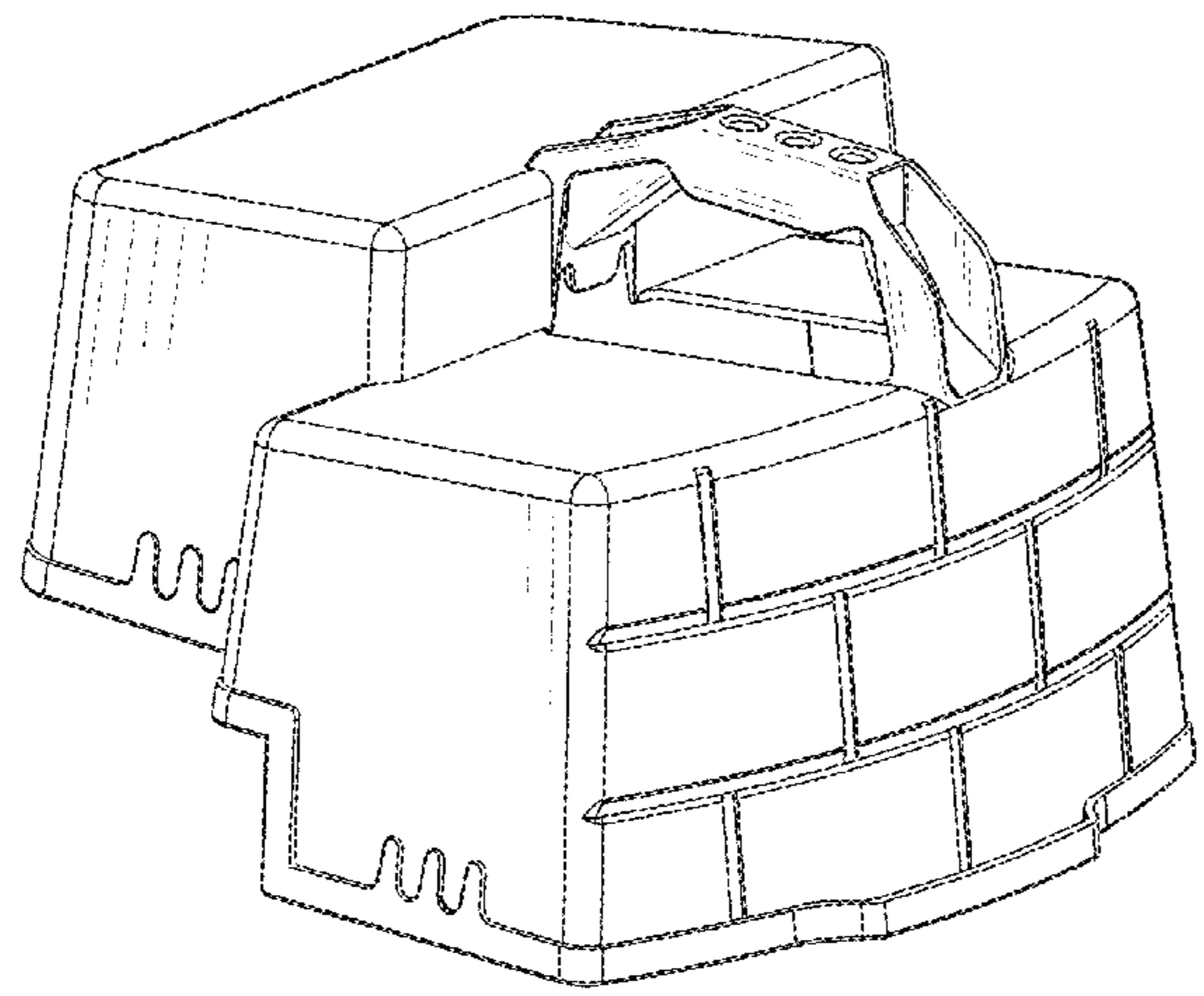
Primary Examiner — Catherine Tuttle

(57) **CLAIM**
The ornamental design for a snow brick maker, as shown and described.

DESCRIPTION

FIG. 1 is a perspective view of a snow brick maker of my new design;
FIG. 2 is a front elevation view thereof;
FIG. 3 is a rear elevation view thereof;
FIG. 4 is a left side view thereof;
FIG. 5 is a right side view thereof;
FIG. 6 is a top plan view thereof; and,
FIG. 7 is a bottom plan view thereof.

1 Claim, 5 Drawing Sheets



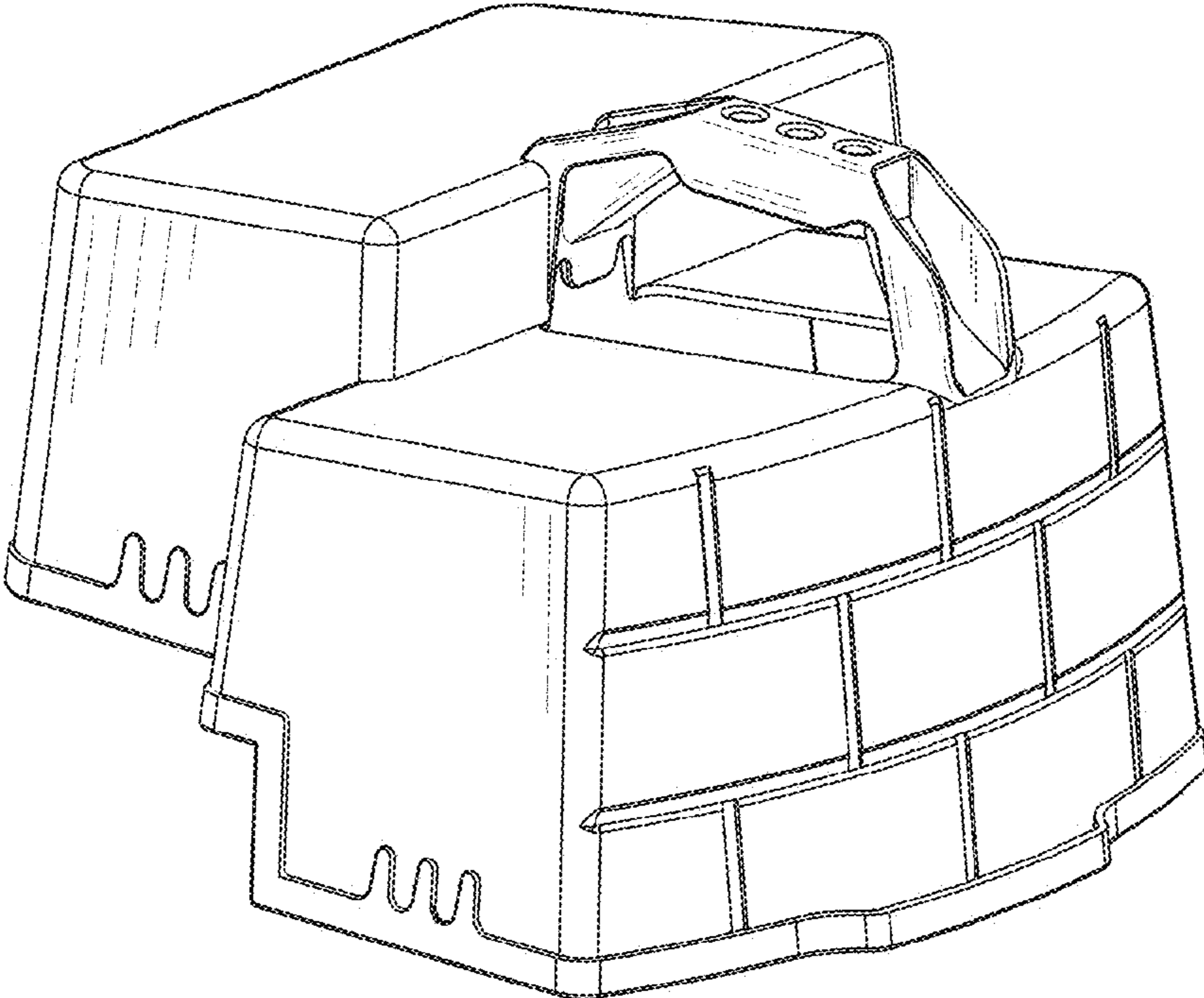


FIG. 1

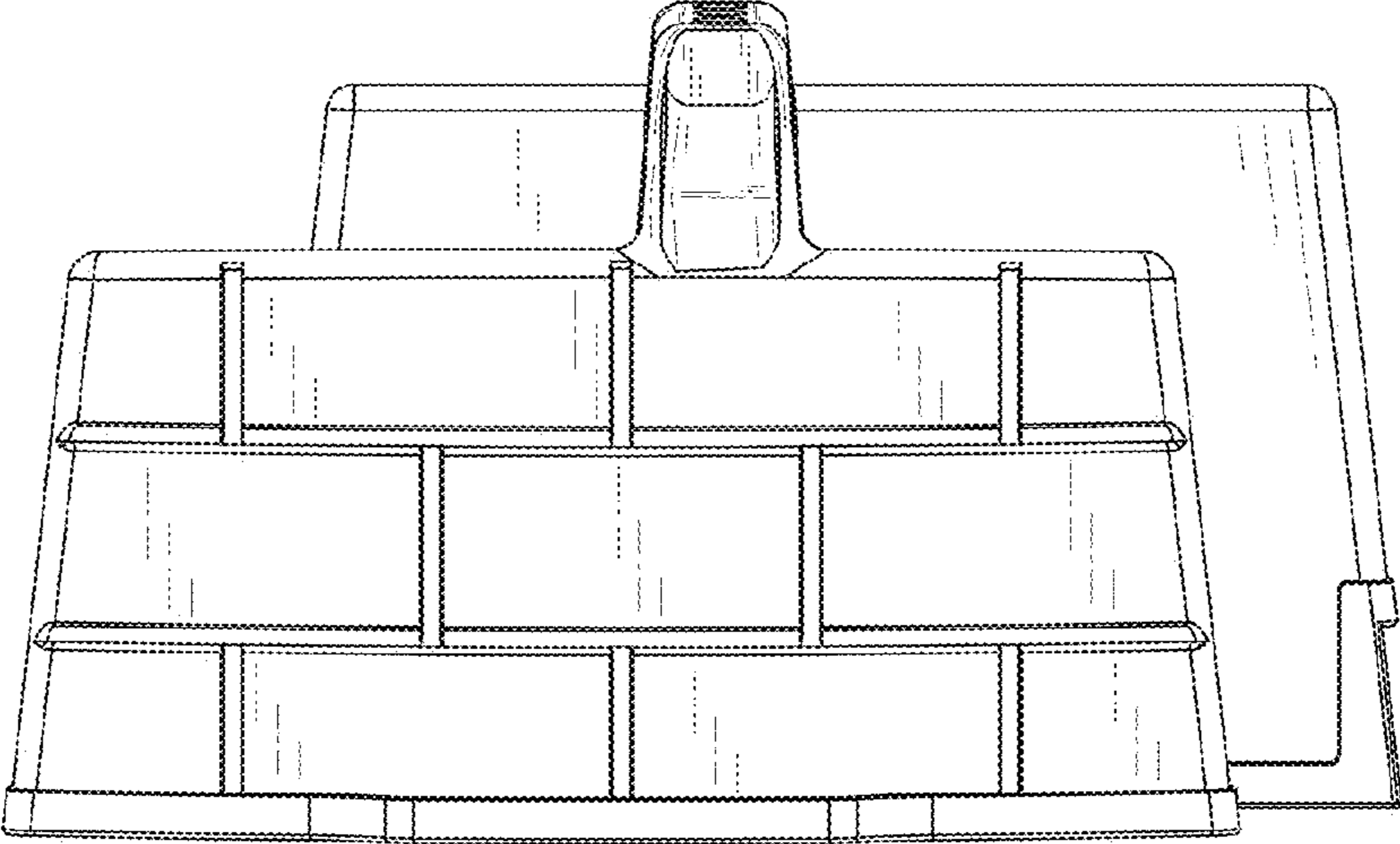


FIG. 2

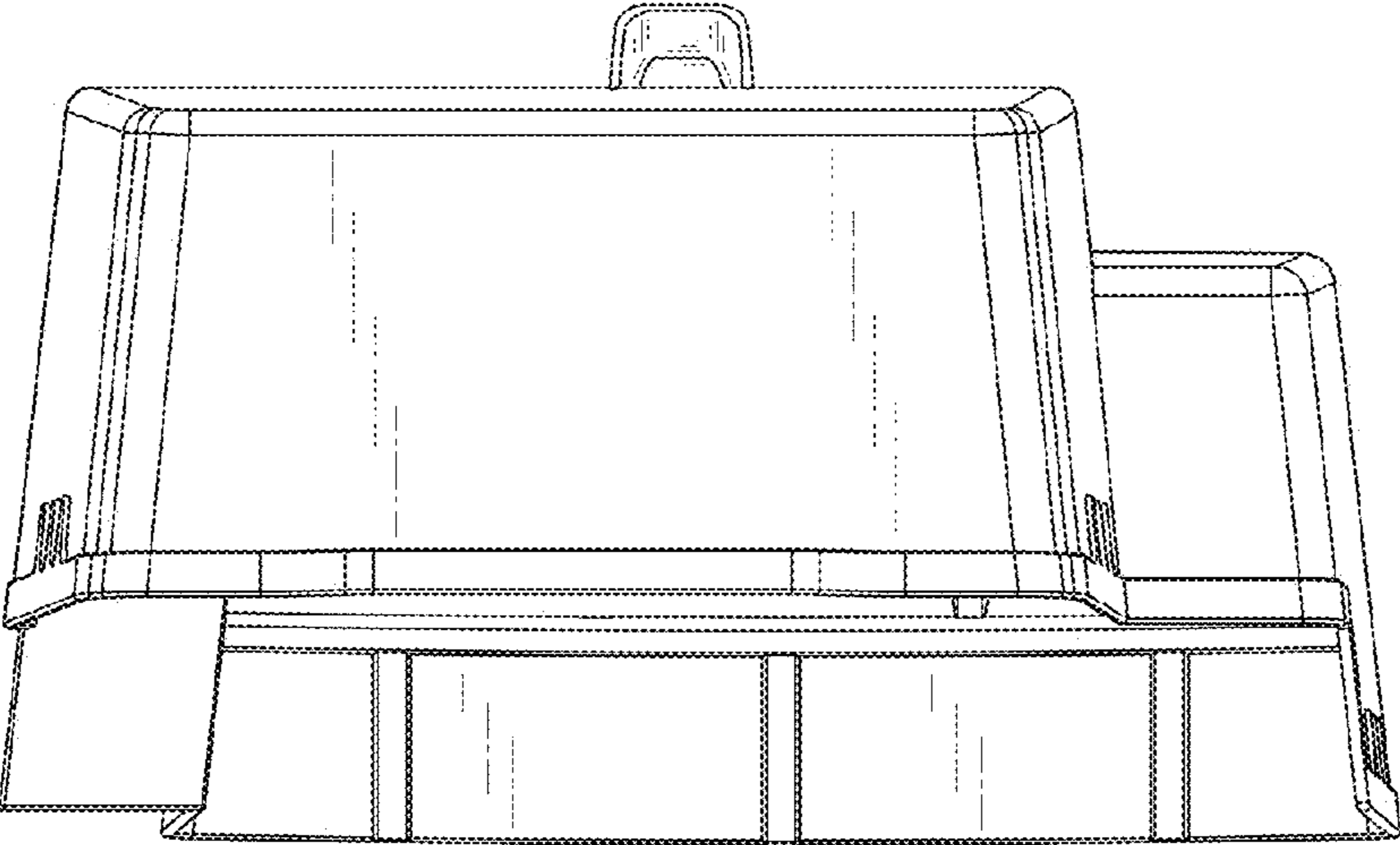


FIG. 3

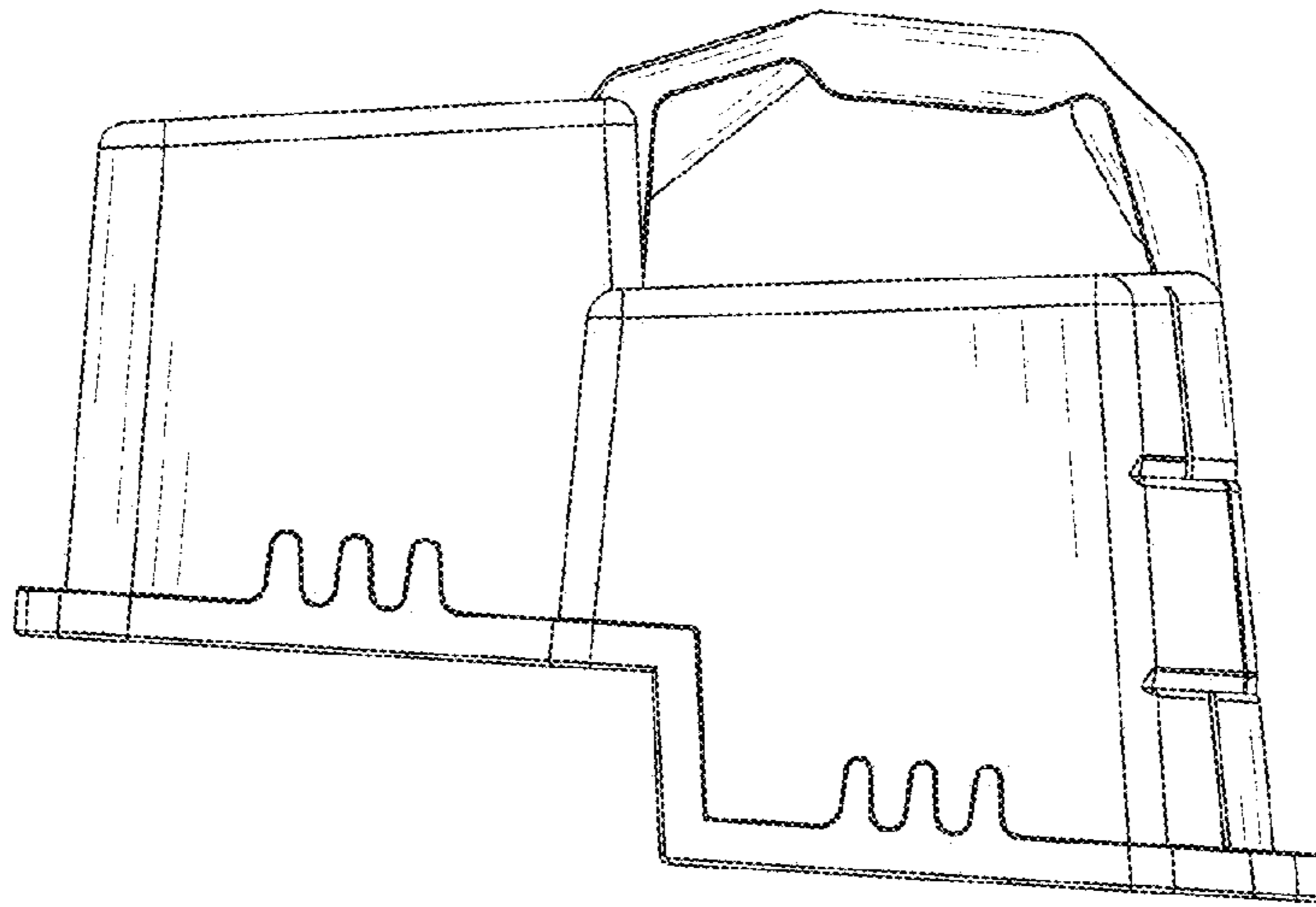


FIG. 4

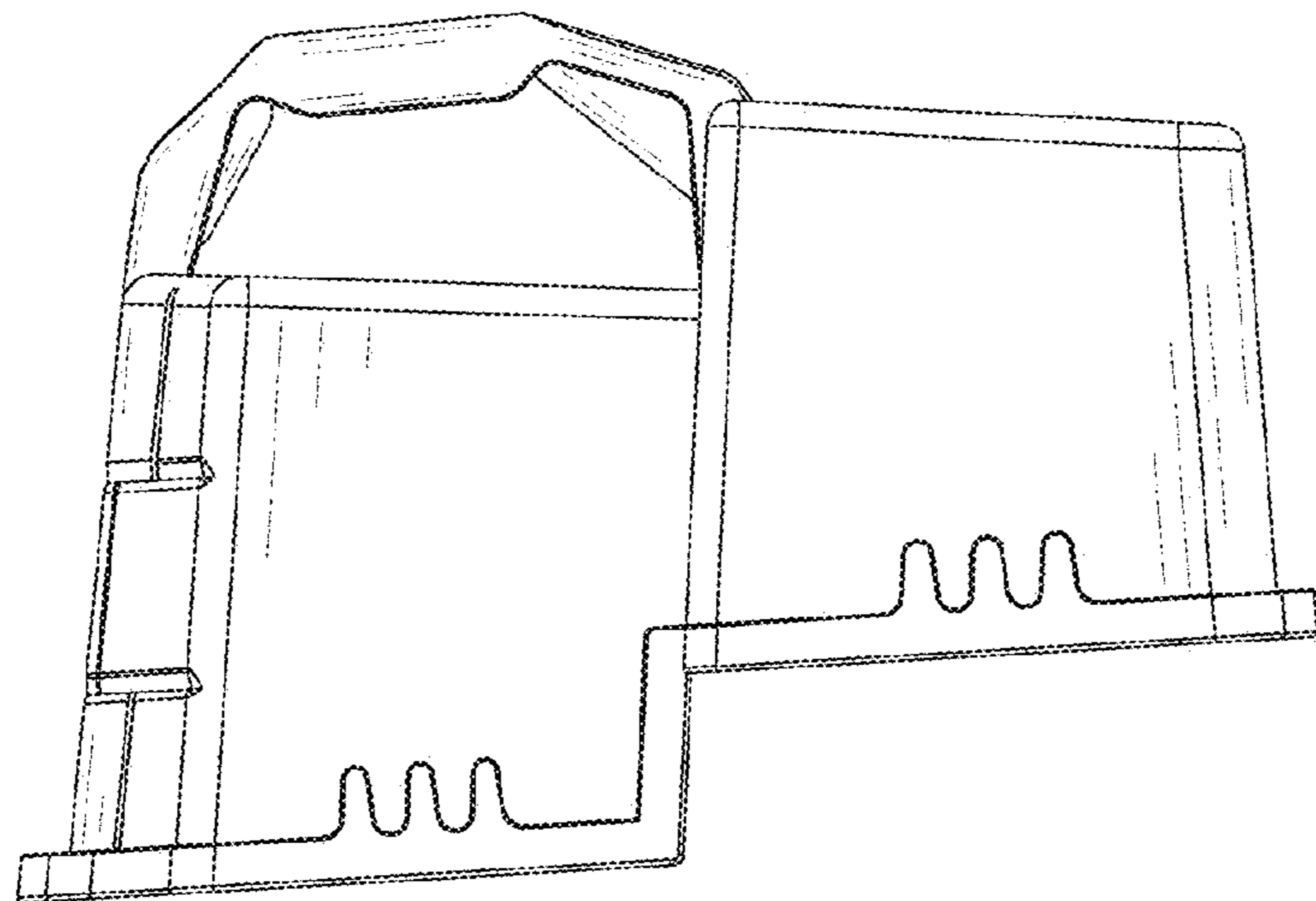


FIG. 5

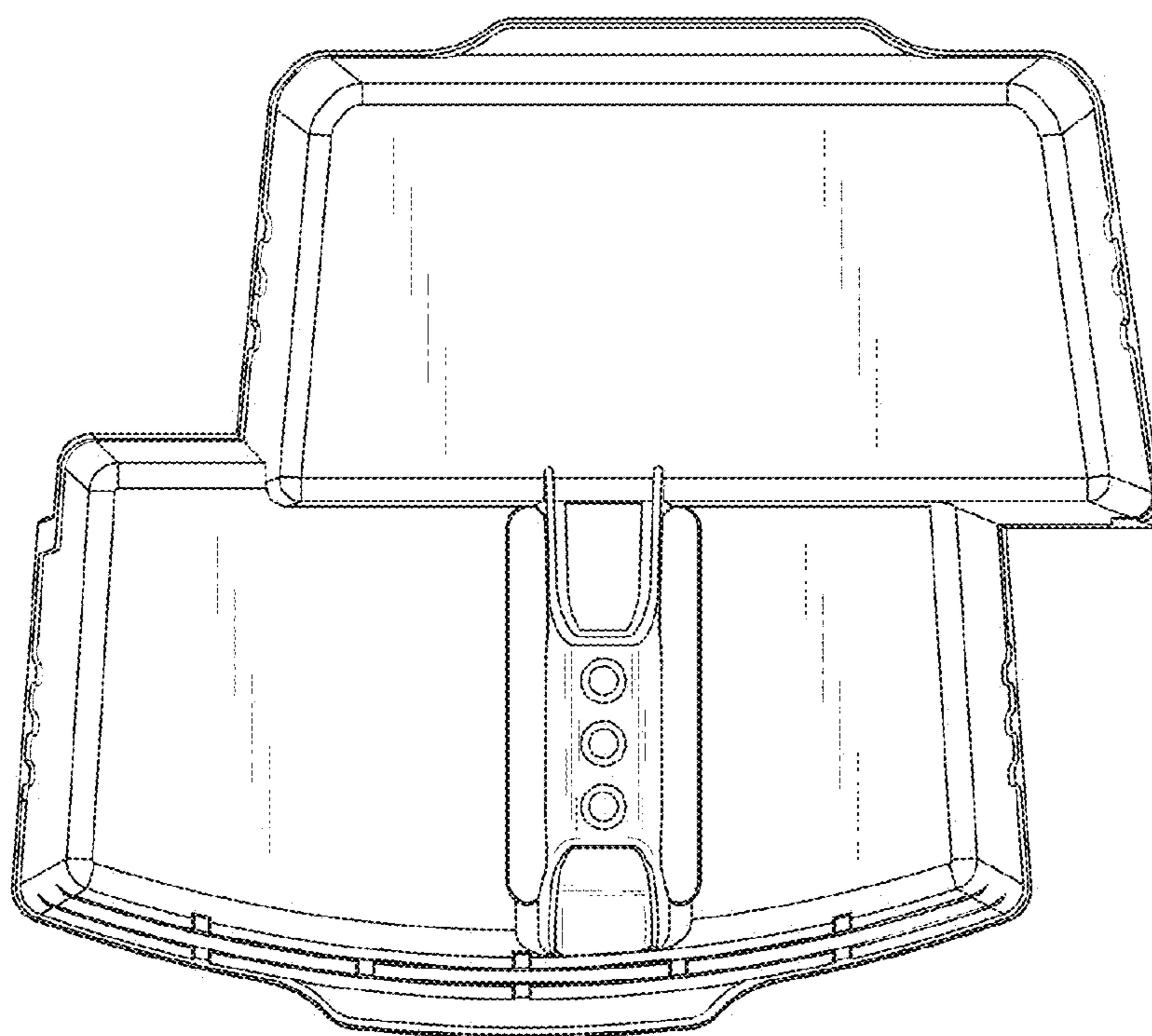


FIG. 6

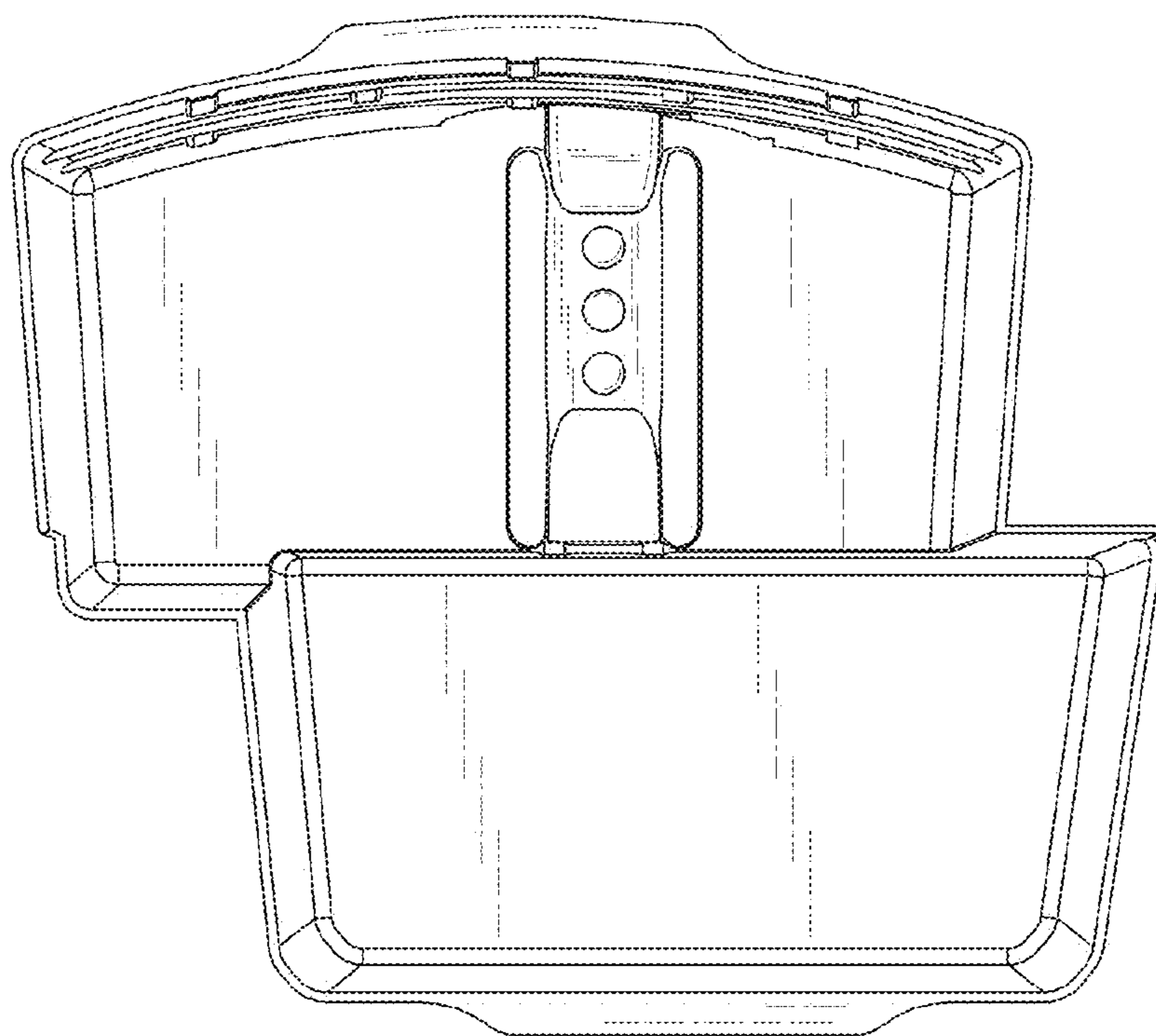


FIG.7