



US00D715371S

(12) **United States Design Patent**
Engele

(10) **Patent No.:** **US D715,371 S**

(45) **Date of Patent:** **** Oct. 14, 2014**

(54) **SCOOTER**

(71) Applicant: **Rimack Holdings Limited**, Hong Kong (HK)

(72) Inventor: **Anne Engele**, Gams (CH)

(73) Assignee: **Rimack Holdings Limited**, Hong Kong (CN)

(**) Term: **14 Years**

(21) Appl. No.: **29/469,121**

(22) Filed: **Oct. 7, 2013**

(51) **LOC (10) Cl.** **21-01**

(52) **U.S. Cl.**
USPC **D21/423**

(58) **Field of Classification Search**
CPC B62K 3/002; B62K 9/00; B62K 9/02;
B62K 13/00; B62K 2202/00
USPC D21/419, 421, 423, 426-428, 435,
D21/668-671, 760, 765, 771; D12/1, 8,
D12/108, 112, 113; 280/8, 14.21, 14.25,
280/14.26, 87.041, 87.042, 200, 214, 220,
280/221, 239, 263, 288.1, 288.2, 288.4,
280/809; 180/180, 181, 227, 228

See application file for complete search history.

(56) **References Cited**

U.S. PATENT DOCUMENTS

1,620,939 A * 3/1927 Behm 280/7.12
D91,256 S * 12/1933 Van Doren et al. D21/423
D104,679 S * 5/1937 Eck D21/423
D106,012 S * 9/1937 Adams D21/423

2,522,744 A * 9/1950 Budd 280/87.021
D176,725 S * 1/1956 Laibow et al. D21/423
D199,682 S * 12/1964 Jezowski D21/423
D210,087 S * 2/1968 Higgins D21/423
D256,035 S * 7/1980 Lockhart D21/423
D295,991 S * 5/1988 Hanna et al. D21/423
4,941,670 A * 7/1990 Parr 280/87.021
D457,197 S * 5/2002 Becker D21/423
D608,255 S * 1/2010 Arnell D12/132
D654,965 S * 2/2012 Herlitz et al. D21/423

* cited by examiner

Primary Examiner — Cynthia M Chin

(74) *Attorney, Agent, or Firm* — Troutman Sanders LLP;
Benjamin C. Wiles; Daniel Sharpe

(57) **CLAIM**

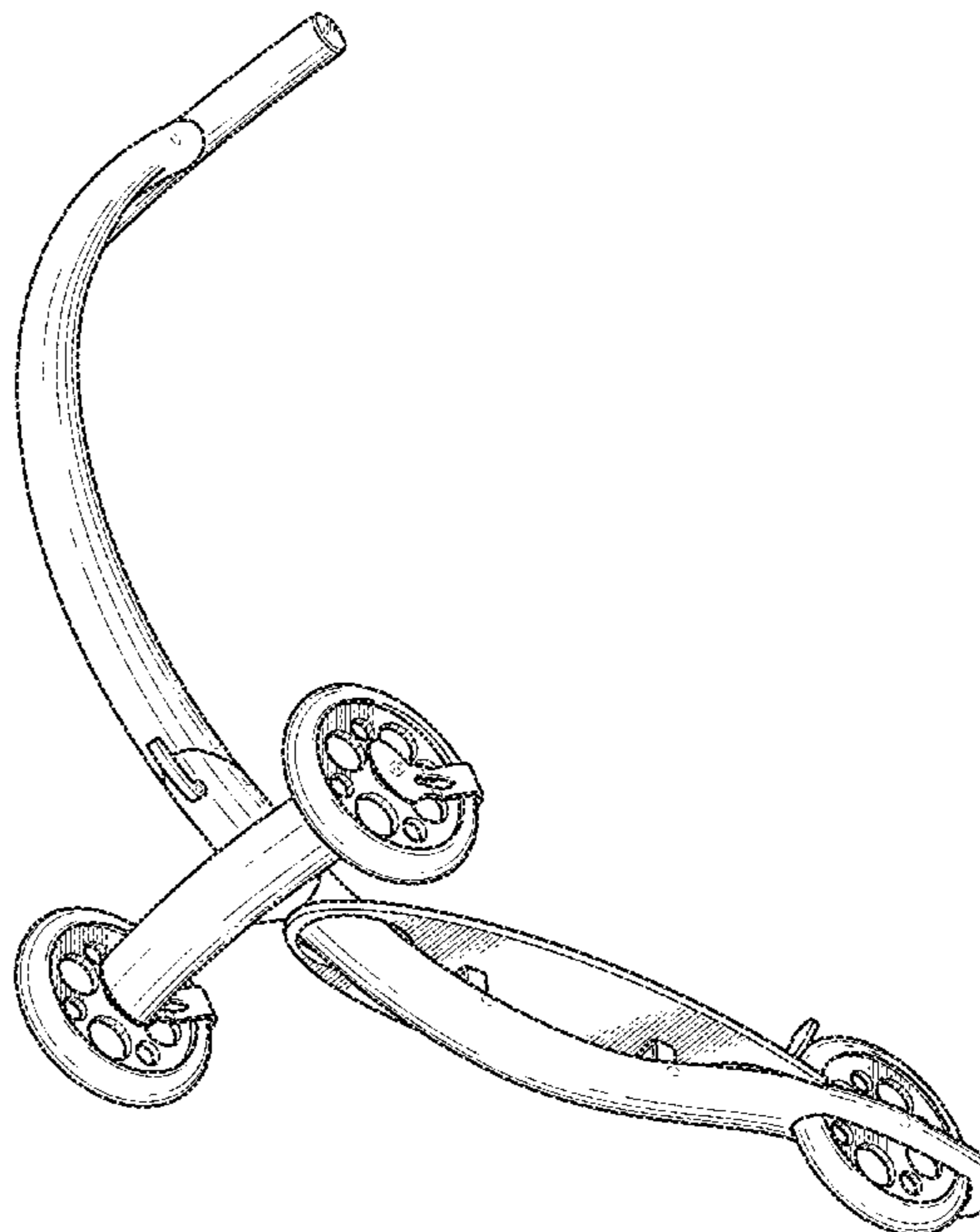
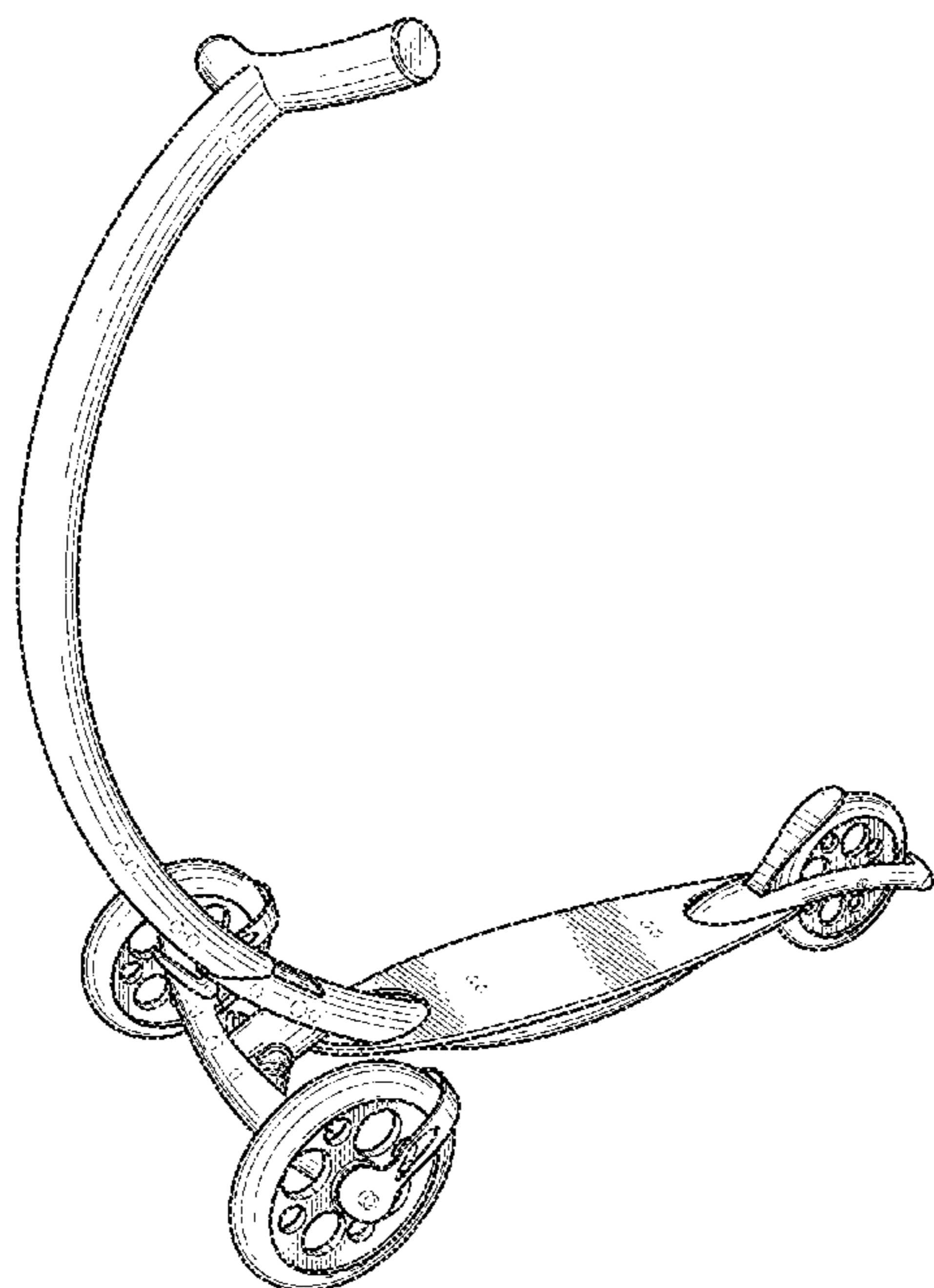
The ornamental design for a scooter, as shown and described.

DESCRIPTION

FIG. 1 illustrates a front, top perspective view of a scooter;
FIG. 2 illustrates a back, top perspective view of a scooter;
FIG. 3 illustrates a front, bottom perspective view of a scooter;
FIG. 4 illustrates a front view of a scooter;
FIG. 5 illustrates a back view of a scooter;
FIG. 6 illustrates a right side view of a scooter;
FIG. 7 illustrates a left side view of a scooter;
FIG. 8 illustrates a top view of a scooter; and,
FIG. 9 illustrates a bottom view of a scooter.

The broken, dashed lines shown in the various figures are included for the purpose of illustrating environment and do not form any part of the claimed design.

1 Claim, 7 Drawing Sheets



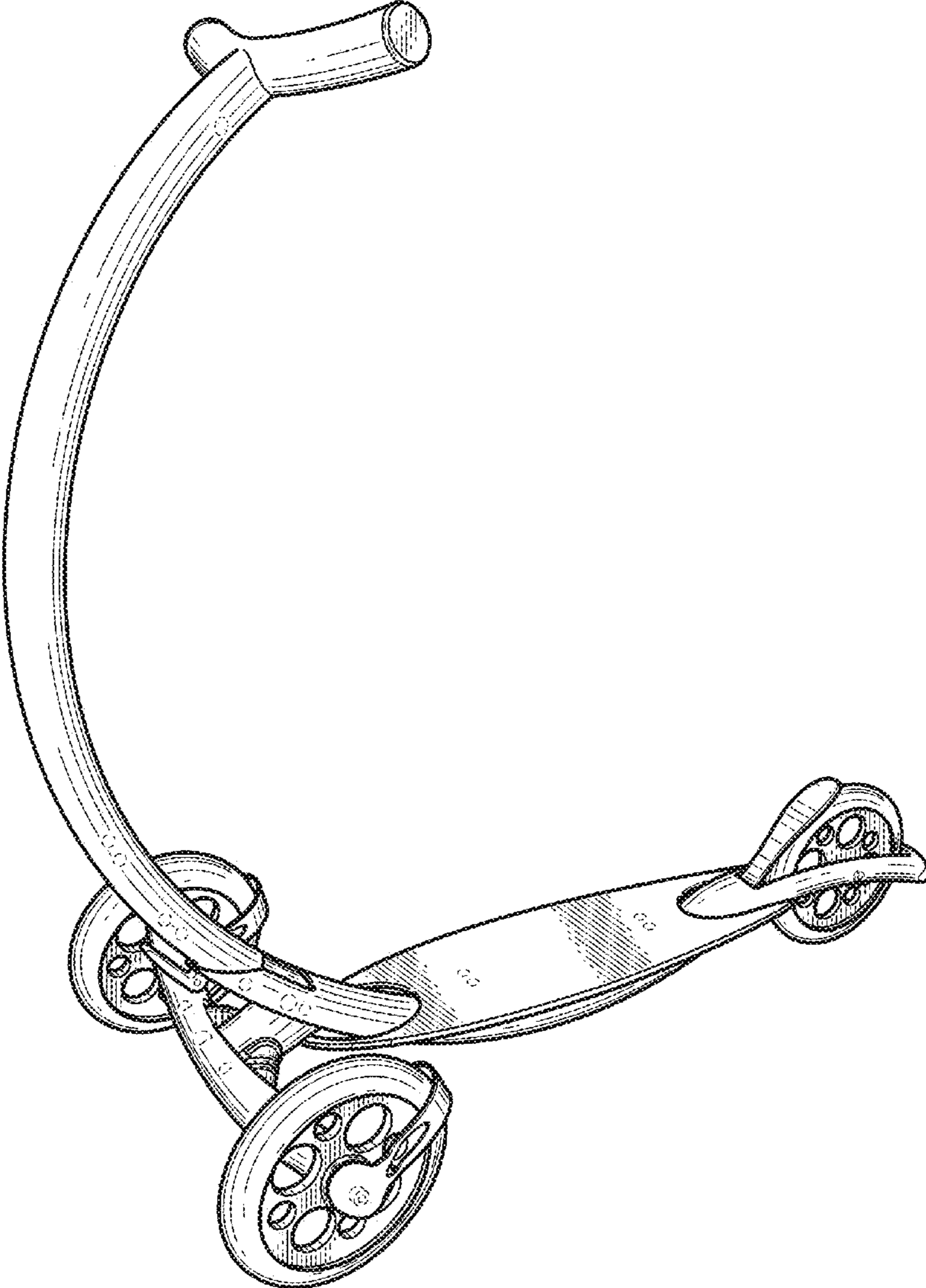


FIG. 1

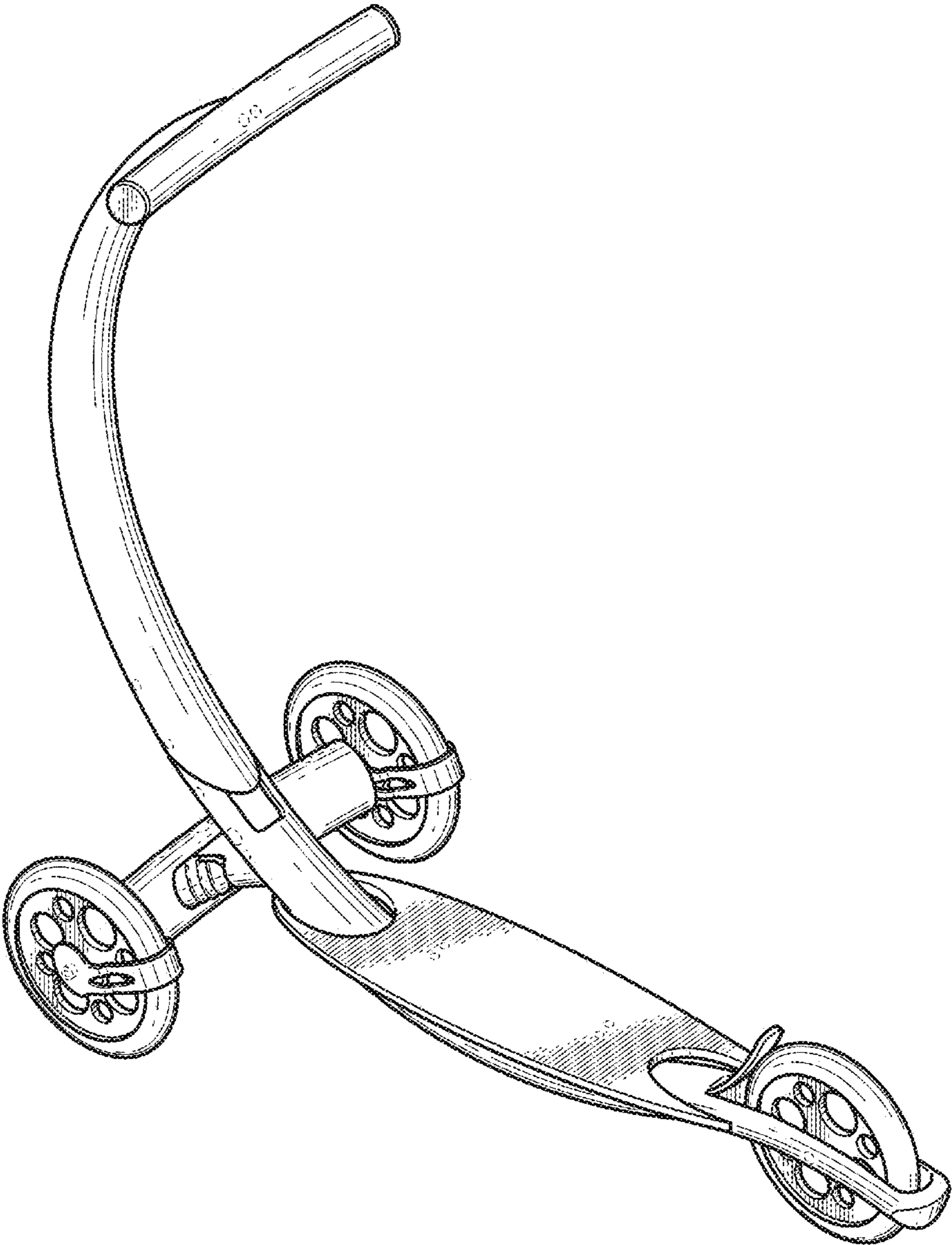


FIG. 2

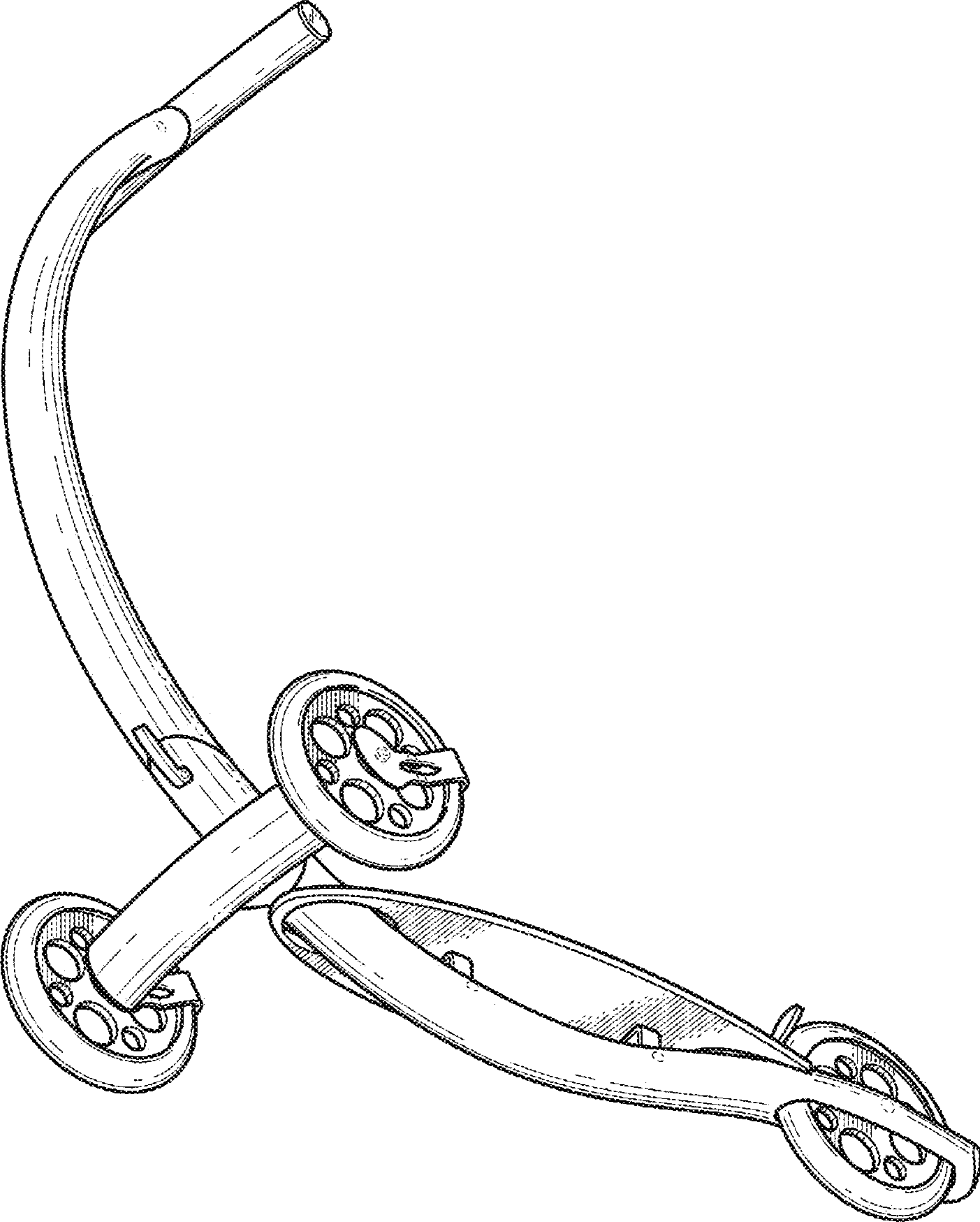


FIG. 3

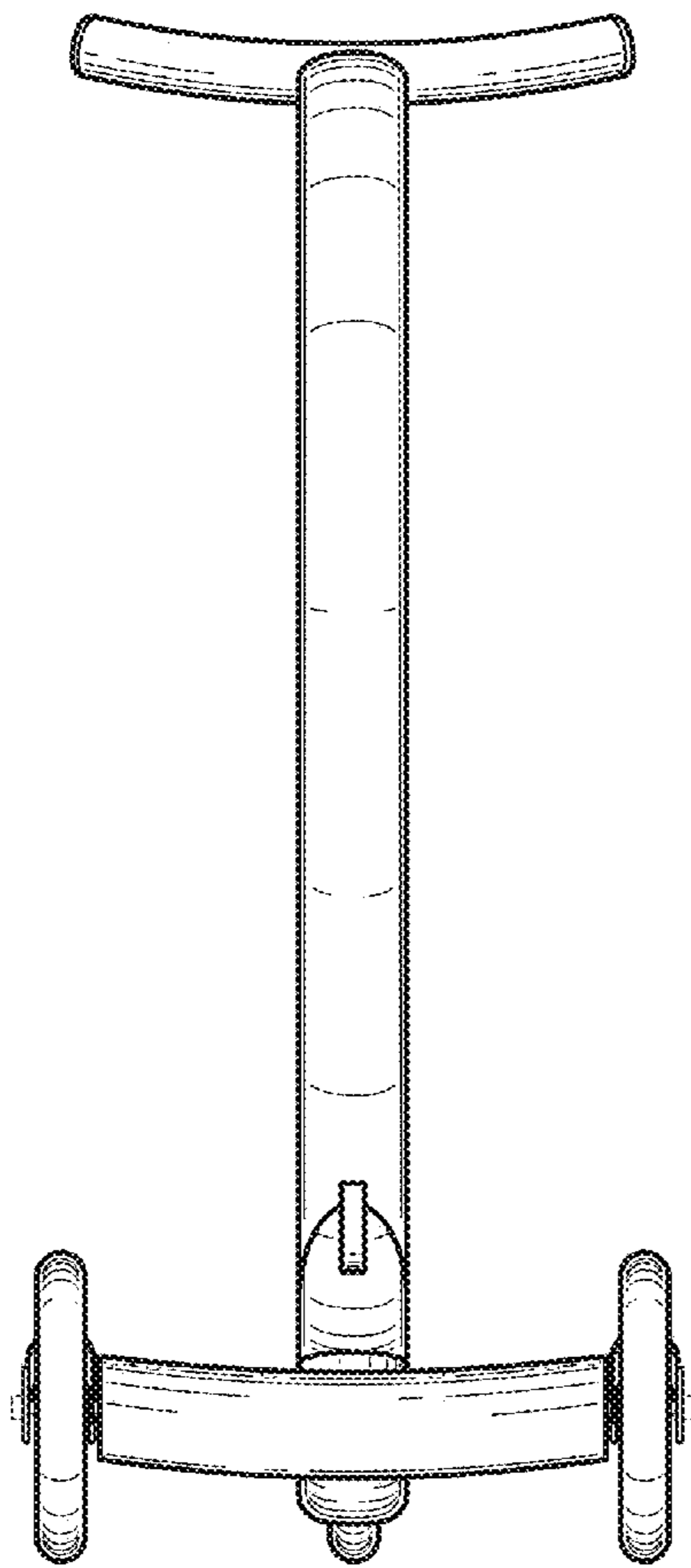


FIG. 4

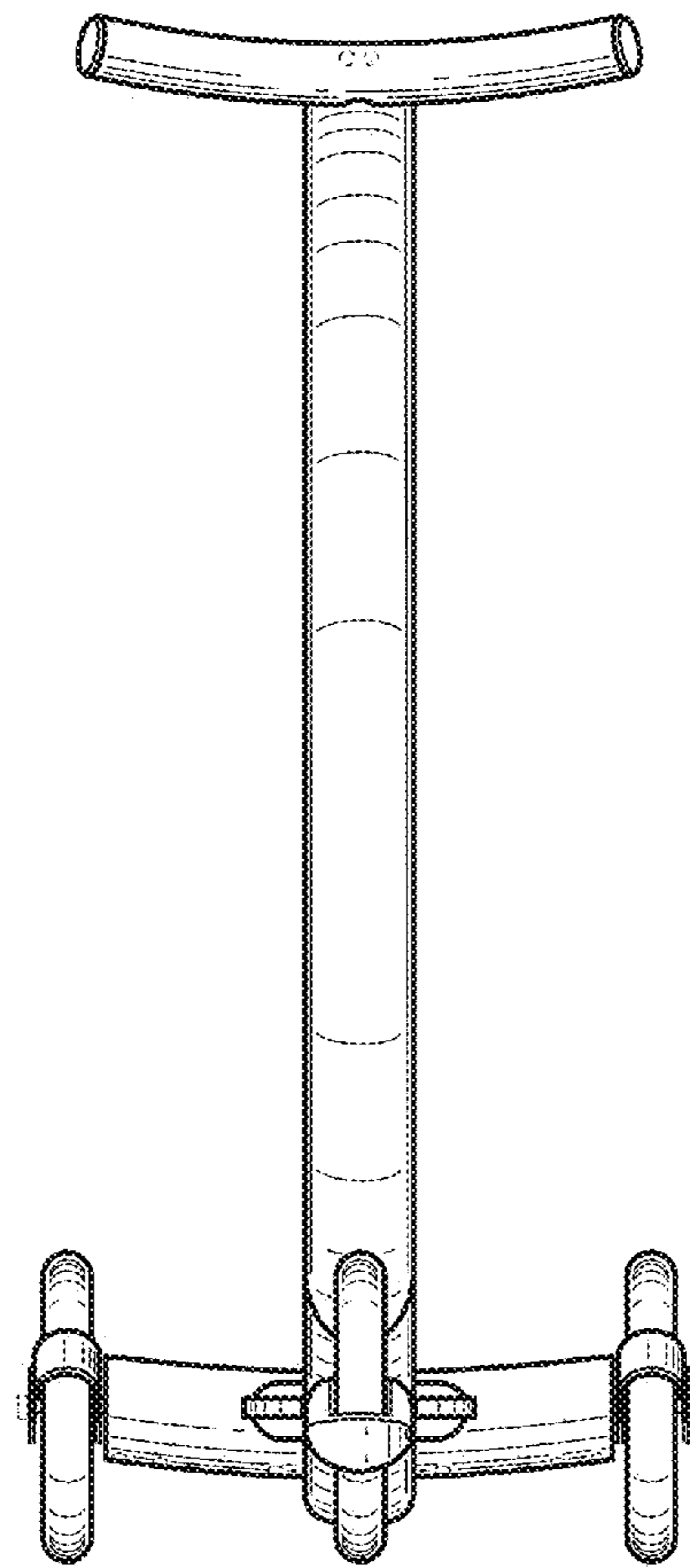


FIG. 5

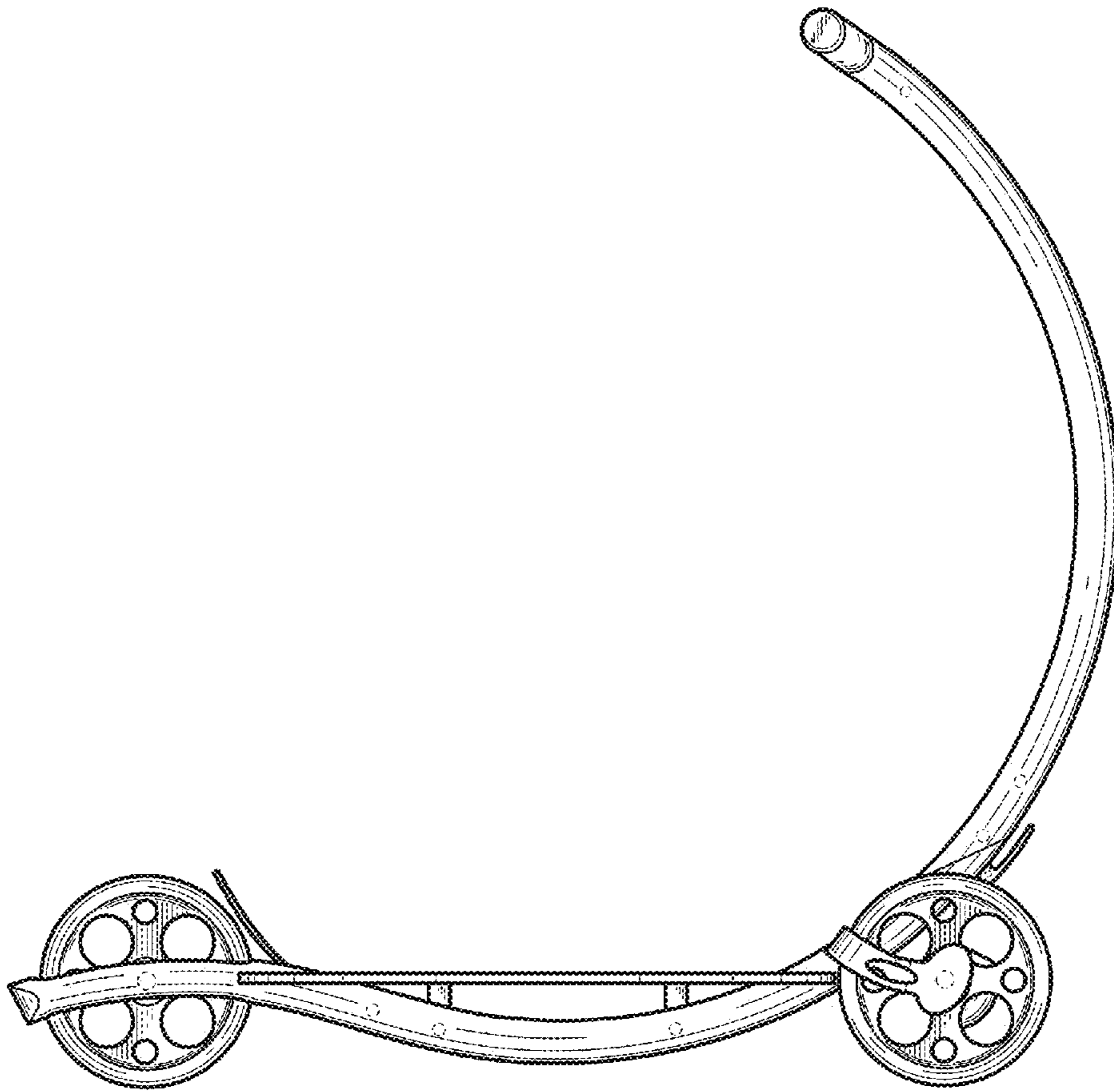


FIG. 6

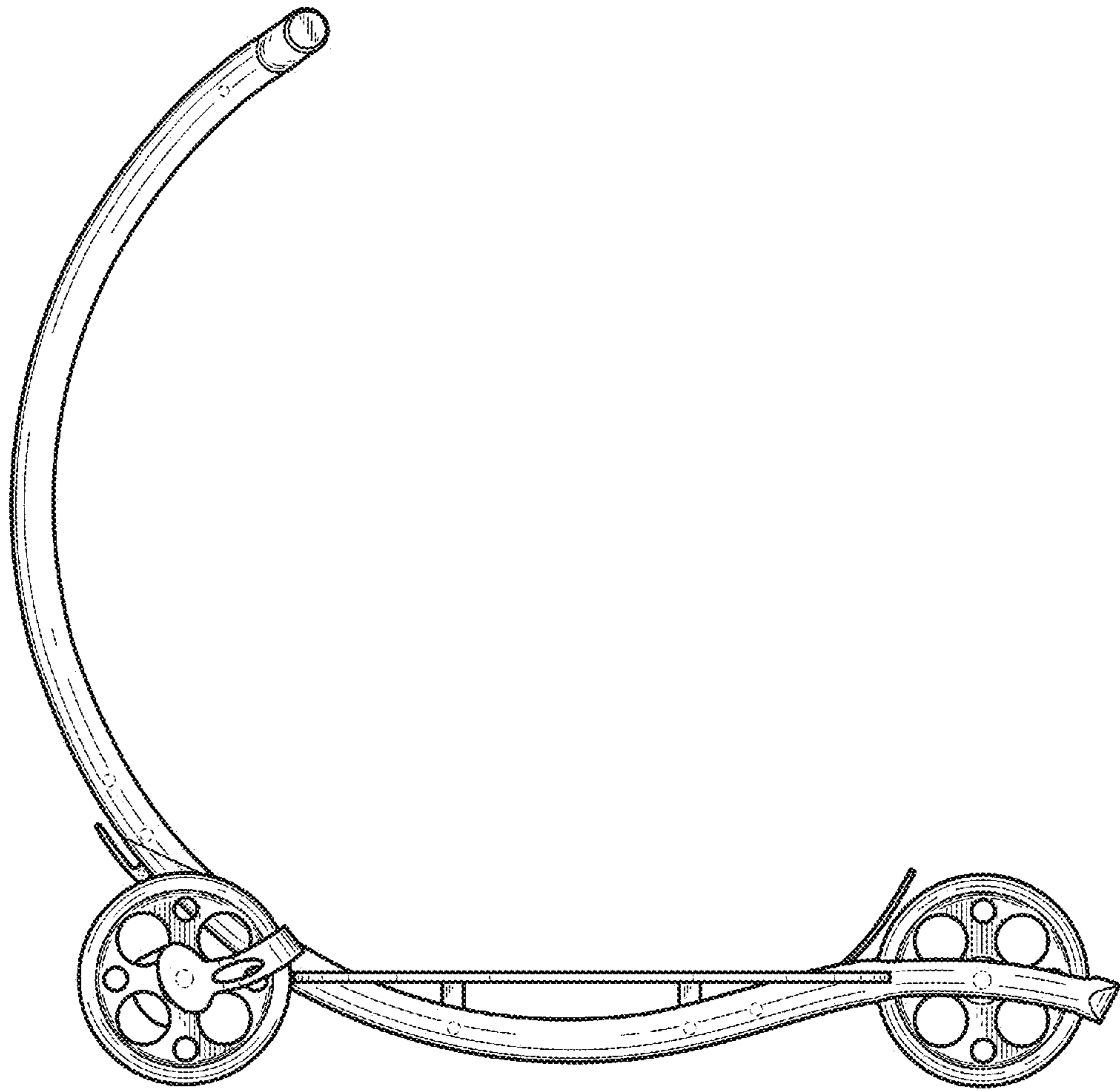


FIG. 7

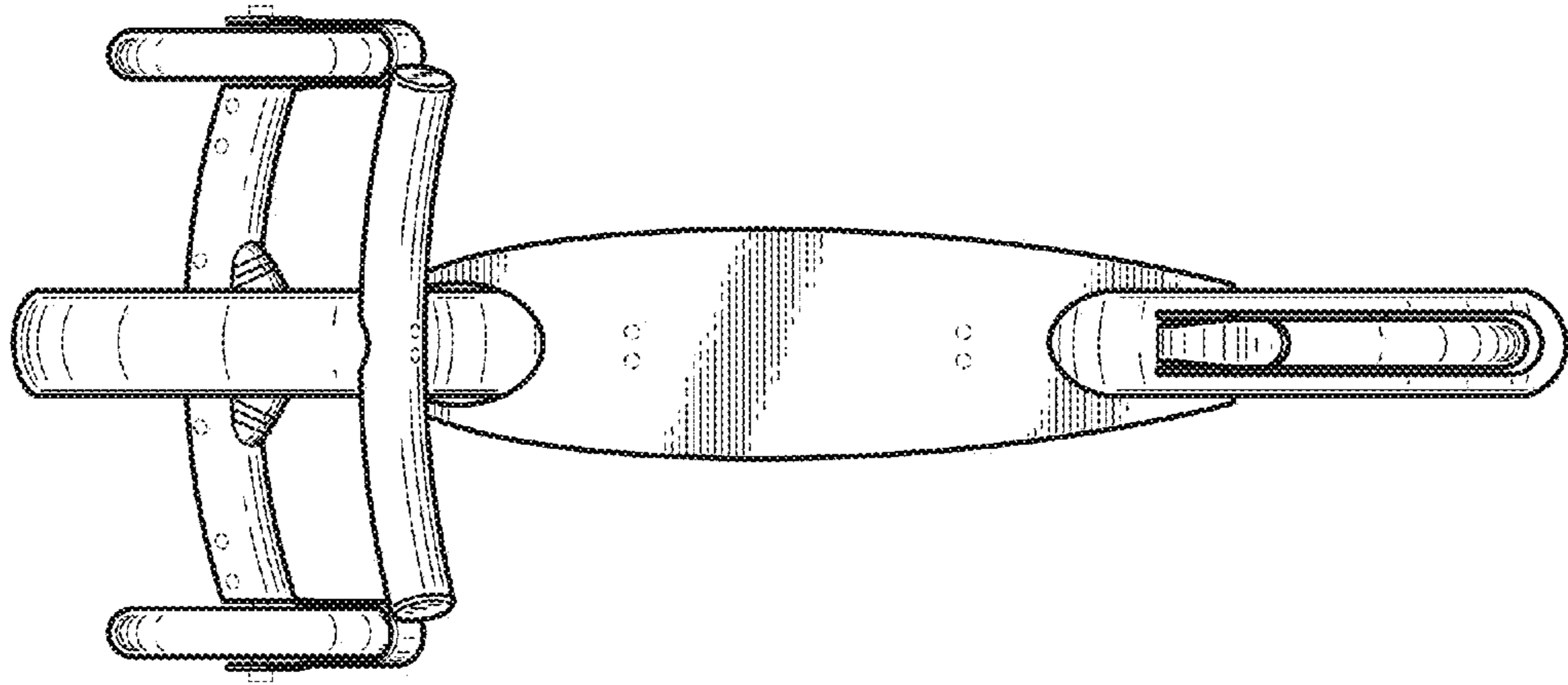


FIG. 8

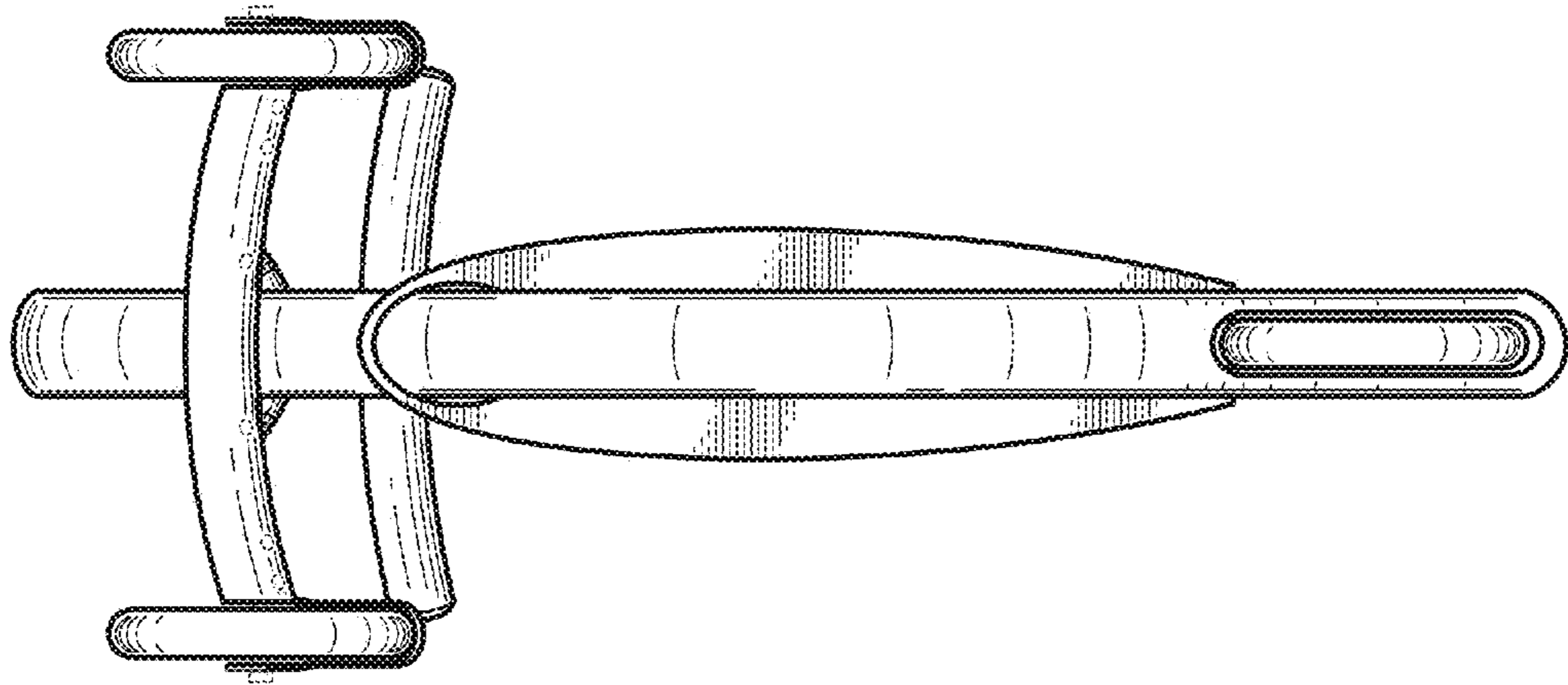


FIG. 9