



US00D715370S

(12) **United States Design Patent**
Hsu et al.

(10) **Patent No.:** **US D715,370 S**

(45) **Date of Patent:** **** Oct. 14, 2014**

(54) **SWING SCOOTER**

(75) Inventors: **Ming-Hung Hsu**, Foshan (CN);
Tung-Chien Chiu, Foshan (CN)

(73) Assignee: **Qun Zhan Hardware Co., Ltd.**,
Foshan, Guangdong Province (CN)

(**) Term: **14 Years**

(21) Appl. No.: **29/430,264**

(22) Filed: **Aug. 23, 2012**

(51) **LOC (10) Cl.** **21-01**

(52) **U.S. Cl.**
USPC **D21/423**

(58) **Field of Classification Search**
USPC D21/419, 421, 423, 426-428, 435, 597,
D21/650, 760, 765, 771, 803; D12/1, 8,
D12/108, 112, 113; 280/8, 14.21, 14.25,
280/14.26, 87.041, 87.042, 200, 214, 220,
280/221, 239, 263, 288.1, 288.2, 288.4,
280/809; 180/180, 181

See application file for complete search history.

(56) **References Cited**

U.S. PATENT DOCUMENTS

4,088,338 A * 5/1978 Winchell et al. 280/220
D291,211 S * 8/1987 Man D21/423

4,776,604 A * 10/1988 Valdez et al. 280/87.041
6,467,781 B1 * 10/2002 Feng 280/87.01
D495,374 S * 8/2004 Chuang D21/423
D495,758 S * 9/2004 Chuang D21/423
D497,957 S * 11/2004 Chuang D21/423
D654,542 S * 2/2012 Chiu et al. D21/423
D658,724 S * 5/2012 Epstein D21/423
8,328,209 B2 * 12/2012 Tsai 280/87.043
2003/0090076 A1 * 5/2003 Beleski, Jr. 280/87.041

* cited by examiner

Primary Examiner — Cynthia M Chin

(74) *Attorney, Agent, or Firm* — Jackson IPG PLLC

(57) **CLAIM**

The ornamental design for a swing scooter, as shown and described.

DESCRIPTION

FIG. 1 is a front perspective view of a swing scooter showing my new design;

FIG. 2 is a front elevational view thereof;

FIG. 3 is a rear elevational view thereof;

FIG. 4 is a left side elevational view thereof;

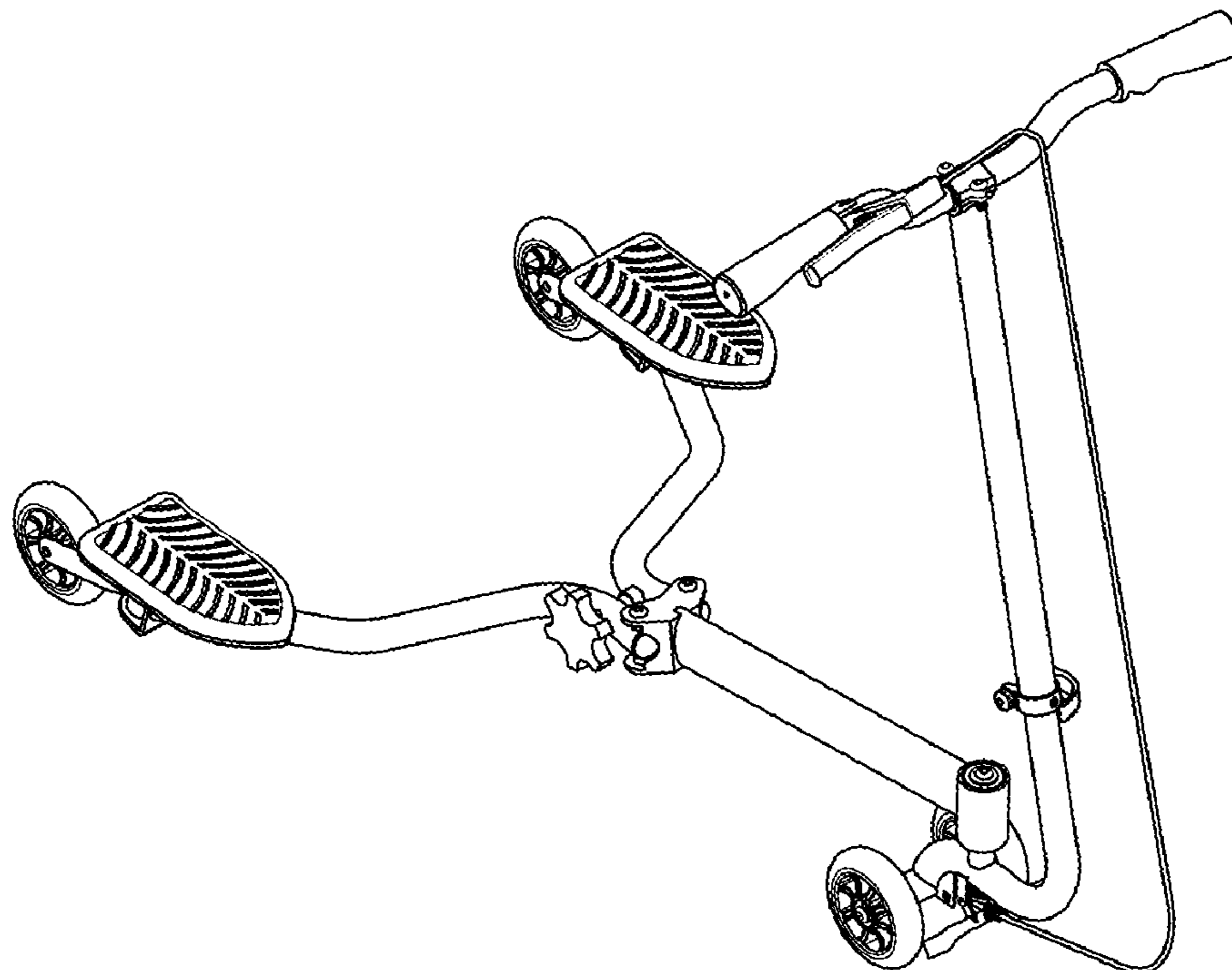
FIG. 5 is a right side elevational view thereof;

FIG. 6 is a top plan view thereof; and,

FIG. 7 is a bottom plan view thereof.

The broken lines represent portions of the article that form no part of the claim.

1 Claim, 4 Drawing Sheets



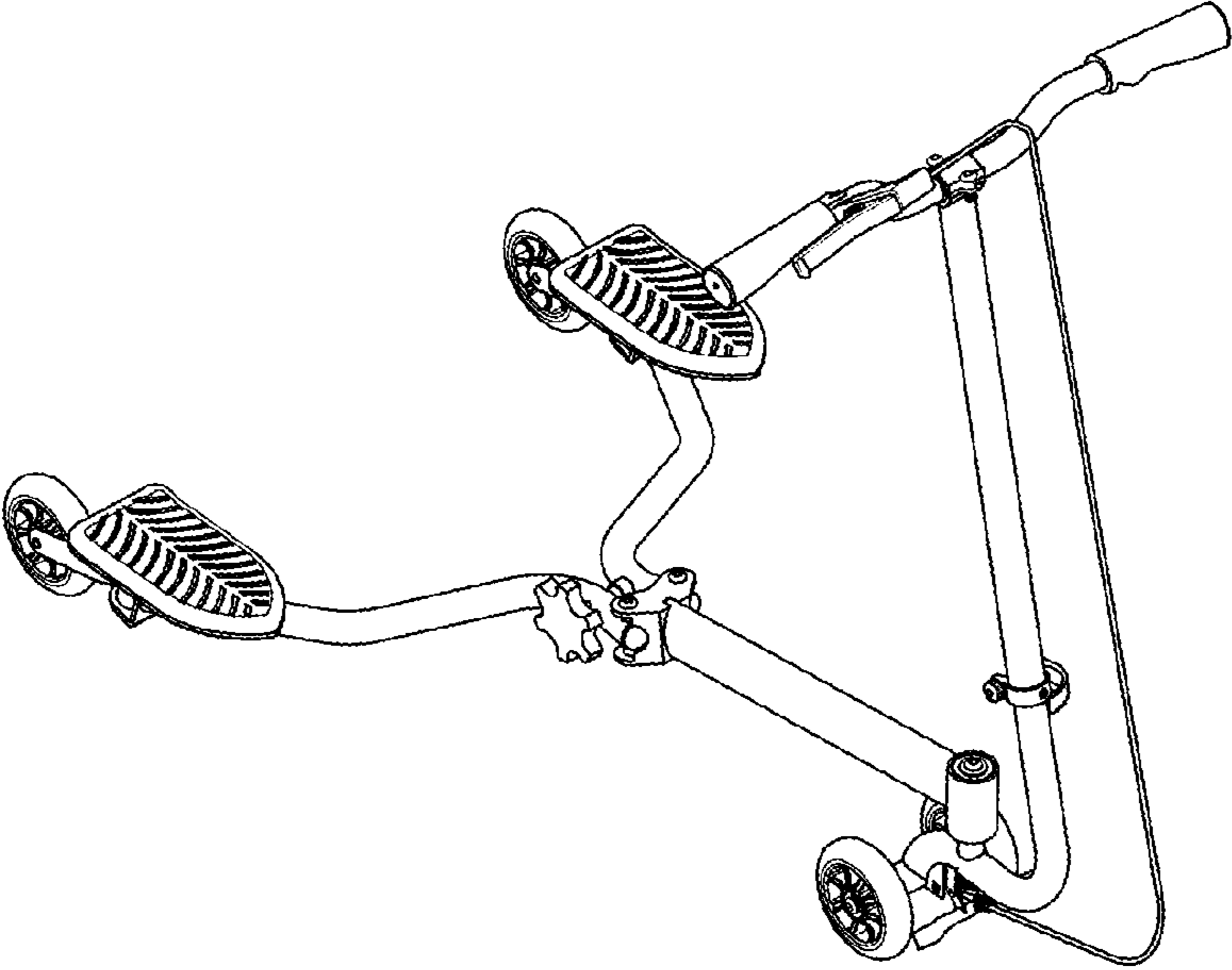


FIG. 1

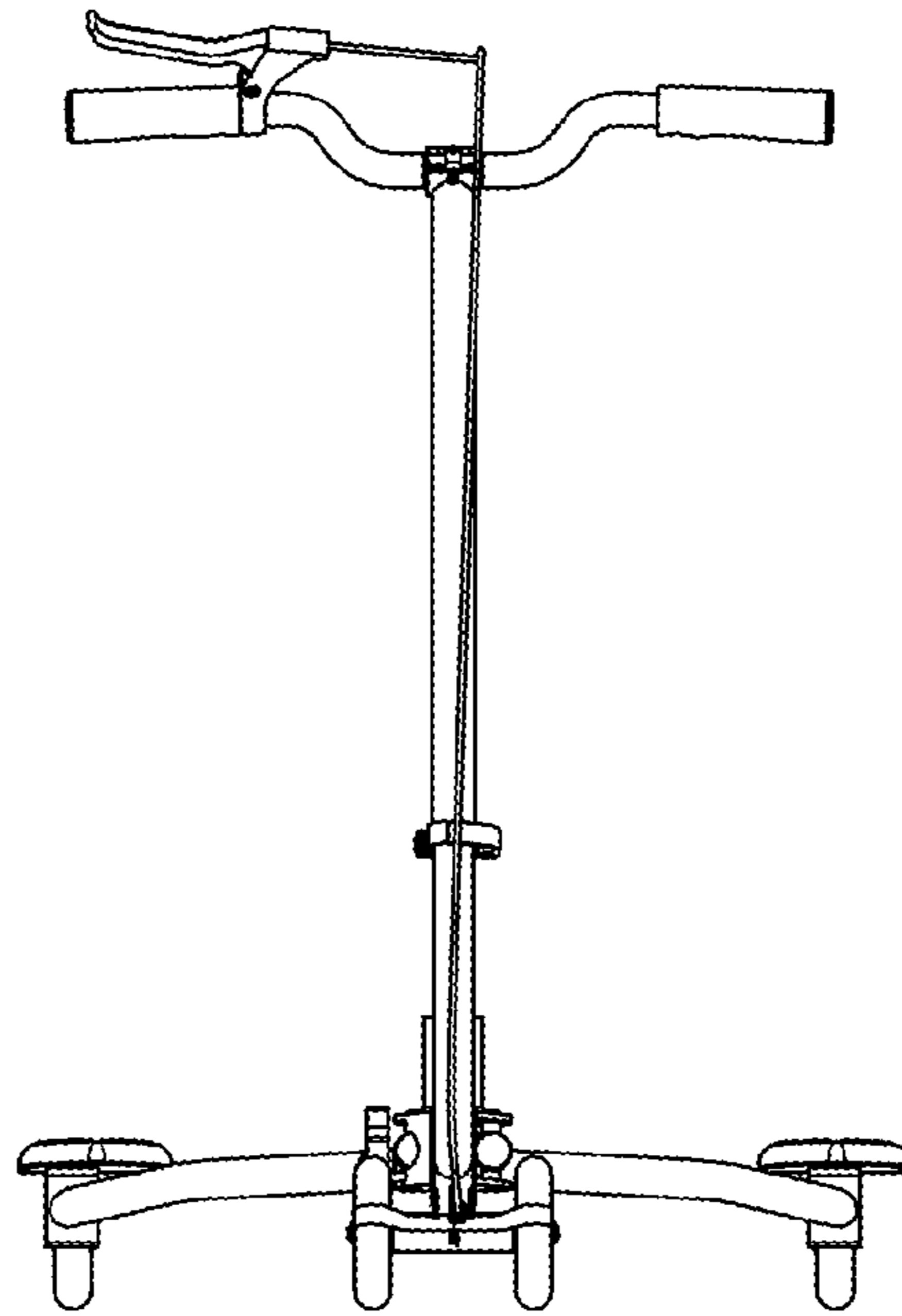


FIG. 2

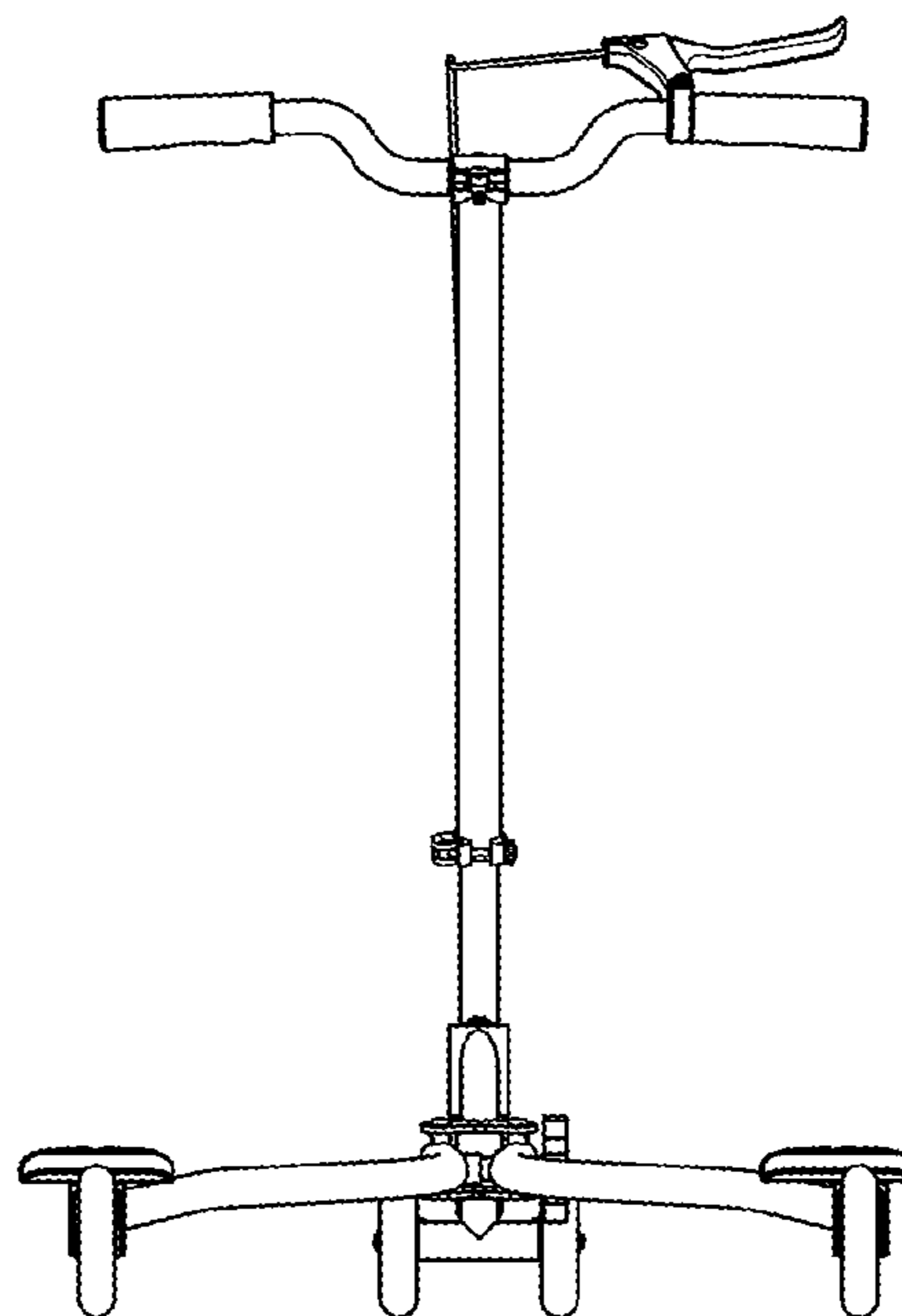


FIG. 3

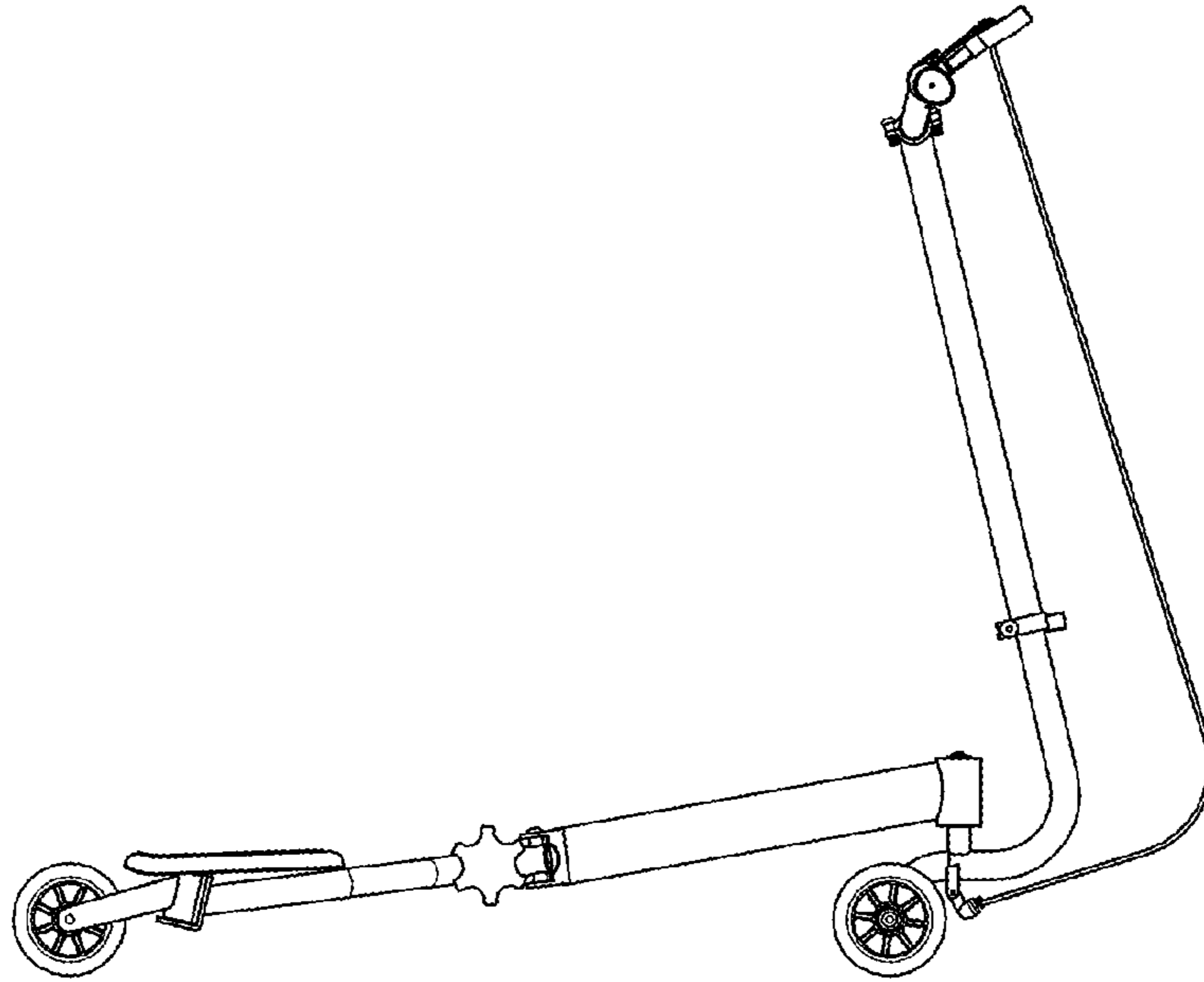


FIG. 4

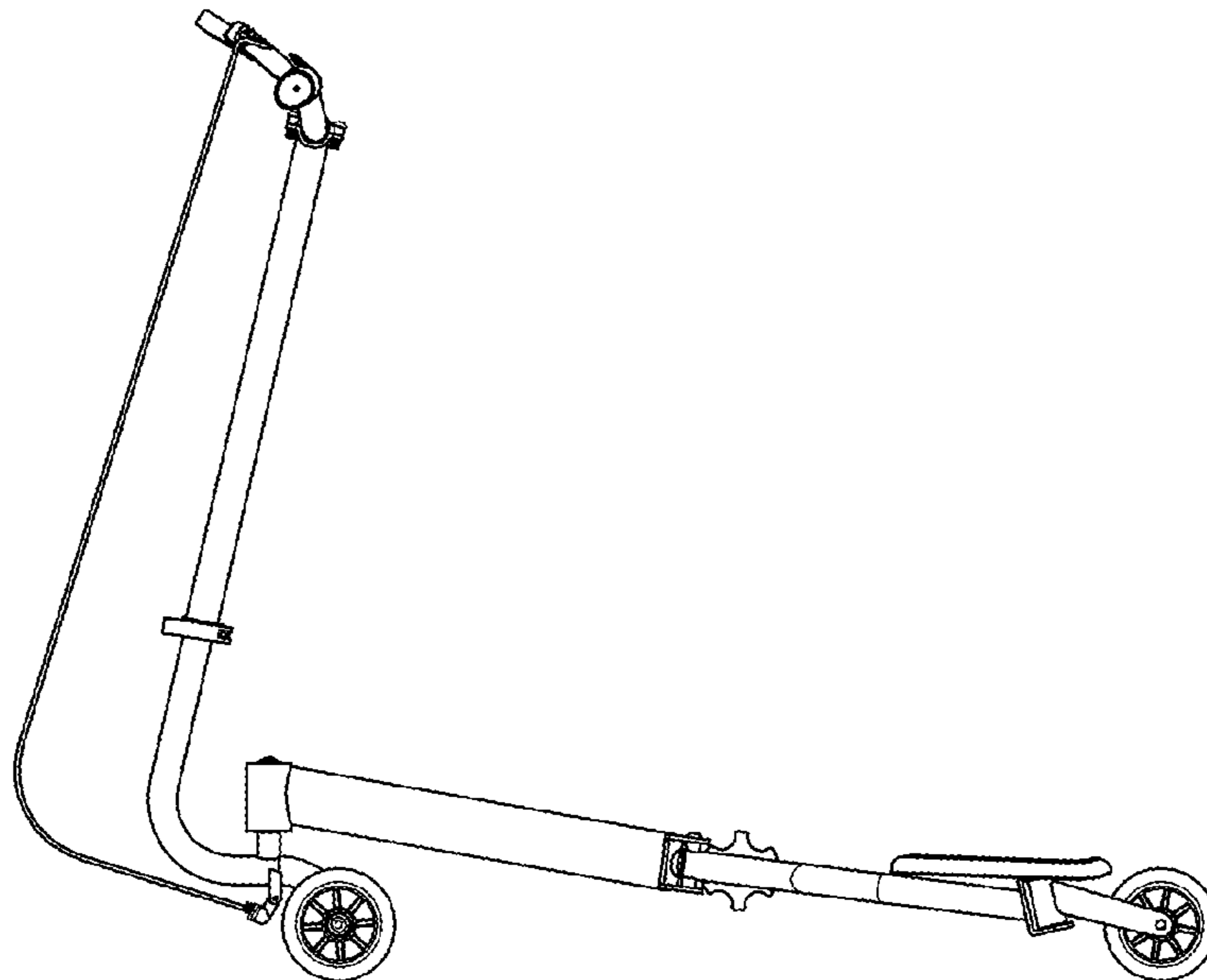


FIG. 5

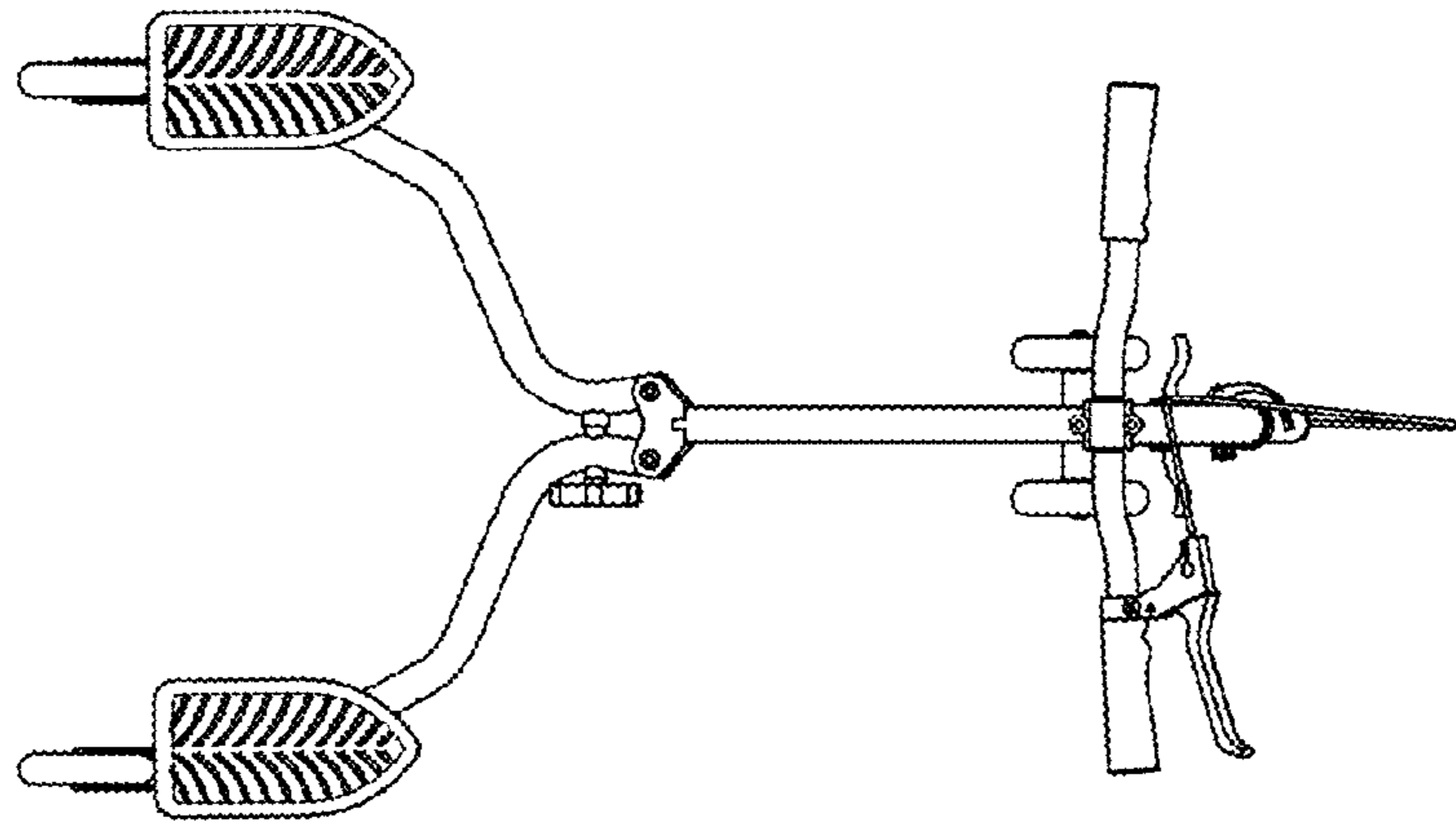


FIG. 6

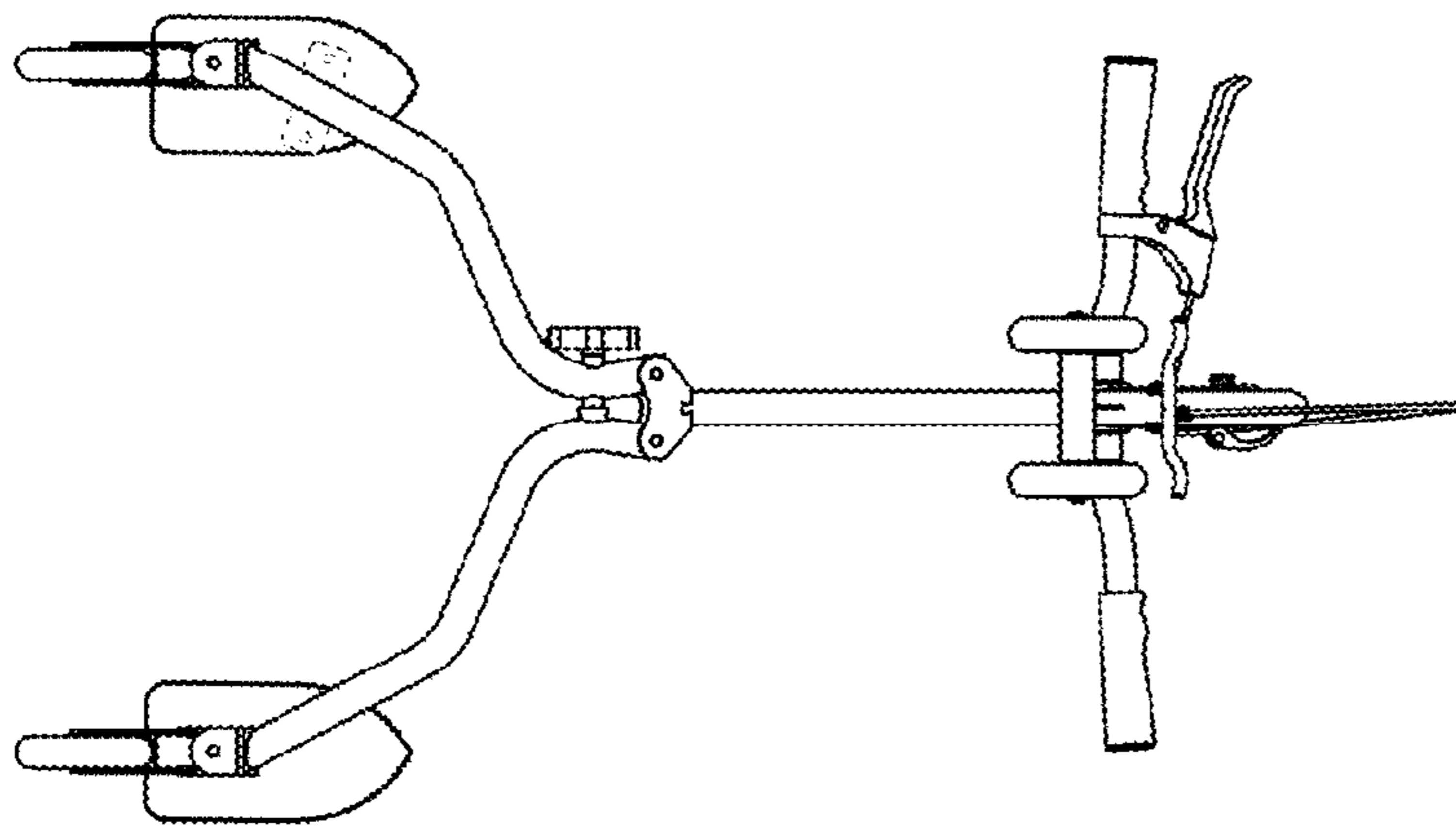


FIG. 7