



US00D715369S

(12) **United States Design Patent**
Carmack

(10) **Patent No.:** **US D715,369 S**
(45) **Date of Patent:** **** Oct. 14, 2014**

(54) **SET OF MOVEABLE INSTRUMENT PIECES FOR A MUSICAL TOY**

(75) Inventor: **Lisa Jobe Carmack**, Holliston, MA (US)

(73) Assignee: **Maison Joseph Battat Ltd.**, Montreal, Quebec (CA)

(**) Term: **14 Years**

(21) Appl. No.: **29/413,148**

(22) Filed: **Feb. 10, 2012**

(51) **LOC (10) Cl.** **21-01**

(52) **U.S. Cl.**
USPC **D21/405**

(58) **Field of Classification Search**
USPC D21/300, 324, 332, 333, 341, 353, 385, D21/386, 388, 389, 398, 405, 409, 468, 469, D21/470, 475, 476, 478, 479, 483, 513, 516, D21/522, 529, 586, 590, 658, 350, 480, D21/493; D19/59, 60, 64, 35, 36, 75, 77, D19/92; D17/1-99; D11/131, 157, 1-11, D11/44, 48, 81; D14/496, 168, 172, 178, D14/203.2, 299, 388, 434, 447, 454, 144, D14/159, 203.1, 203.8, 224, 224.1, 238, D14/238.1, 251-254; D13/108; D28/54, 56, D28/61, 62, 73; D3/18, 20, 21, 205, 206, D3/304, 313, 318, 901, 905, 211; D4/100-102, 116, 119, 199, 107, 124; D7/505-508, 550.1, 551.1, D7/553.1-553.8, 555, 557, 590, 592-594, D7/600.1, 700, 701, 387, 388, 389, 396.6, D7/401.1, 403, 599; D9/715, 718, 737, D9/749, 758, 761, 424, 425, 455, 456, D9/665; 446/69, 71, 75, 76, 77, 81, 91, 446/118, 143, 146, 175, 227, 297, 318, 397, 446/404, 408, 484; 434/128, 259, 308, 309, 434/311, 393, 403, 406, 407; 84/170, 470 R, 84/476; 273/237, 238, 276, 281, 288, 290, 273/157 R, 455; D26/4, 14, 25

See application file for complete search history.

(56) **References Cited**

U.S. PATENT DOCUMENTS

203,604 A * 5/1878 Dobson 84/269
D162,554 S * 3/1951 Magnus D17/3

(Continued)

FOREIGN PATENT DOCUMENTS

CN 301357345 * 9/2010
CN 301566942 * 6/2011

Primary Examiner — Catherine Tuttle

(74) *Attorney, Agent, or Firm* — Andrew S. Langsam; Pryor Cashman LLP

(57) **CLAIM**

The ornamental design for the set of moveable instrument pieces for a musical toy, as shown and described.

DESCRIPTION

FIG. 1A is a front and perspective view of the clarinet, flute, trumpet, tuba, drums, and cymbals elements of the set of movable instrument pieces for a musical toy embodying my new design;

FIG. 1B is a front and perspective view of the xylophone, piano, accordion, sitar, guitar, koto, and violin elements thereof;

FIG. 2A is a front view of FIG. 1A;

FIG. 2B is a front view of FIG. 1B;

FIG. 3A is a rear view of FIG. 1A;

FIG. 3B is a rear view of FIG. 1B;

FIG. 4A is a right side view of FIG. 1A;

FIG. 4B is a right side view of FIG. 1B;

FIG. 5A is a left side view of FIG. 1A;

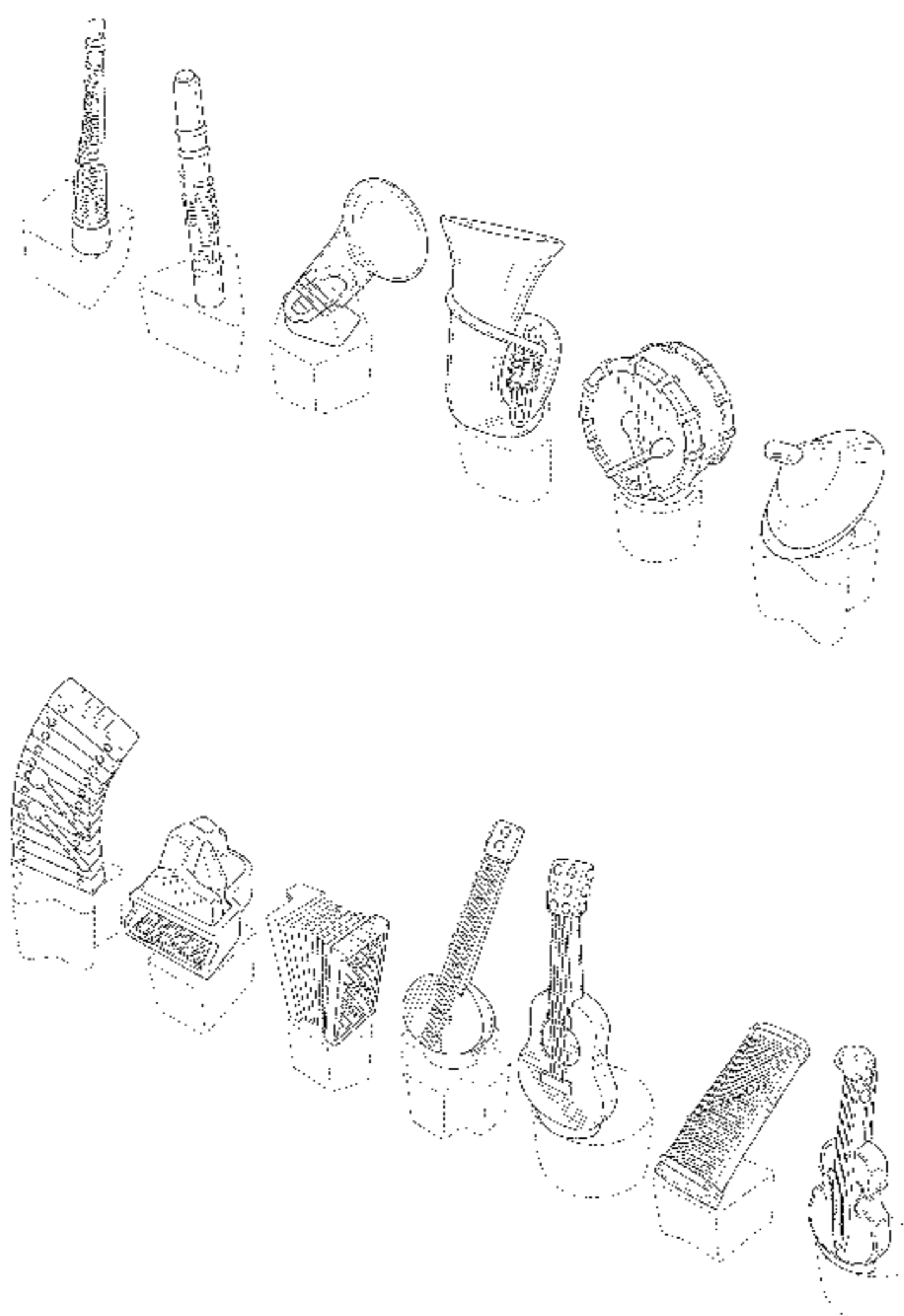
FIG. 5B is a left side view of FIG. 1B;

FIG. 6A is a top plan view of FIG. 1A; and,

FIG. 6B is a top plan view of FIG. 1B.

The broken lines are included for the purpose of illustrating portions of the set of movable instrument pieces that form no part of the claimed invention design.

1 Claim, 12 Drawing Sheets



(56)

References Cited

U.S. PATENT DOCUMENTS

3,550,495 A * 12/1970 Shotmeyer 84/267
 D240,364 S * 6/1976 Ghelli D21/389
 D280,650 S * 9/1985 Tateyama D21/475
 D348,483 S * 7/1994 Chow et al. D19/62
 D349,300 S * 8/1994 Lau D19/62
 D352,332 S * 11/1994 Hancock D21/389
 5,451,178 A * 9/1995 Yorozu et al. 446/175
 5,501,601 A * 3/1996 Todokoro et al. 434/169
 D376,393 S * 12/1996 Stroud et al. D21/476
 5,668,333 A * 9/1997 Horton et al. 84/470 R
 D410,866 S * 6/1999 Philipson et al. D11/8

D410,972 S * 6/1999 Sosoka et al. D21/405
 6,079,985 A * 6/2000 Wohl et al. 434/319
 6,132,281 A * 10/2000 Klitsner et al. 446/75
 6,142,849 A * 11/2000 Horton et al. 446/175
 D440,904 S * 4/2001 Farrow D11/157
 D450,748 S * 11/2001 Greenberg D17/22
 6,353,168 B1 * 3/2002 Sosoka et al. 84/600
 D495,756 S * 9/2004 Carley et al. D21/405
 6,991,509 B1 * 1/2006 Carley et al. 446/175
 7,103,309 B1 * 9/2006 Motosko 434/308
 D577,761 S * 9/2008 Nakao et al. D17/22
 8,420,923 B1 * 4/2013 Choi et al. 84/644
 2012/0237904 A1 * 9/2012 Alicea 434/128

* cited by examiner

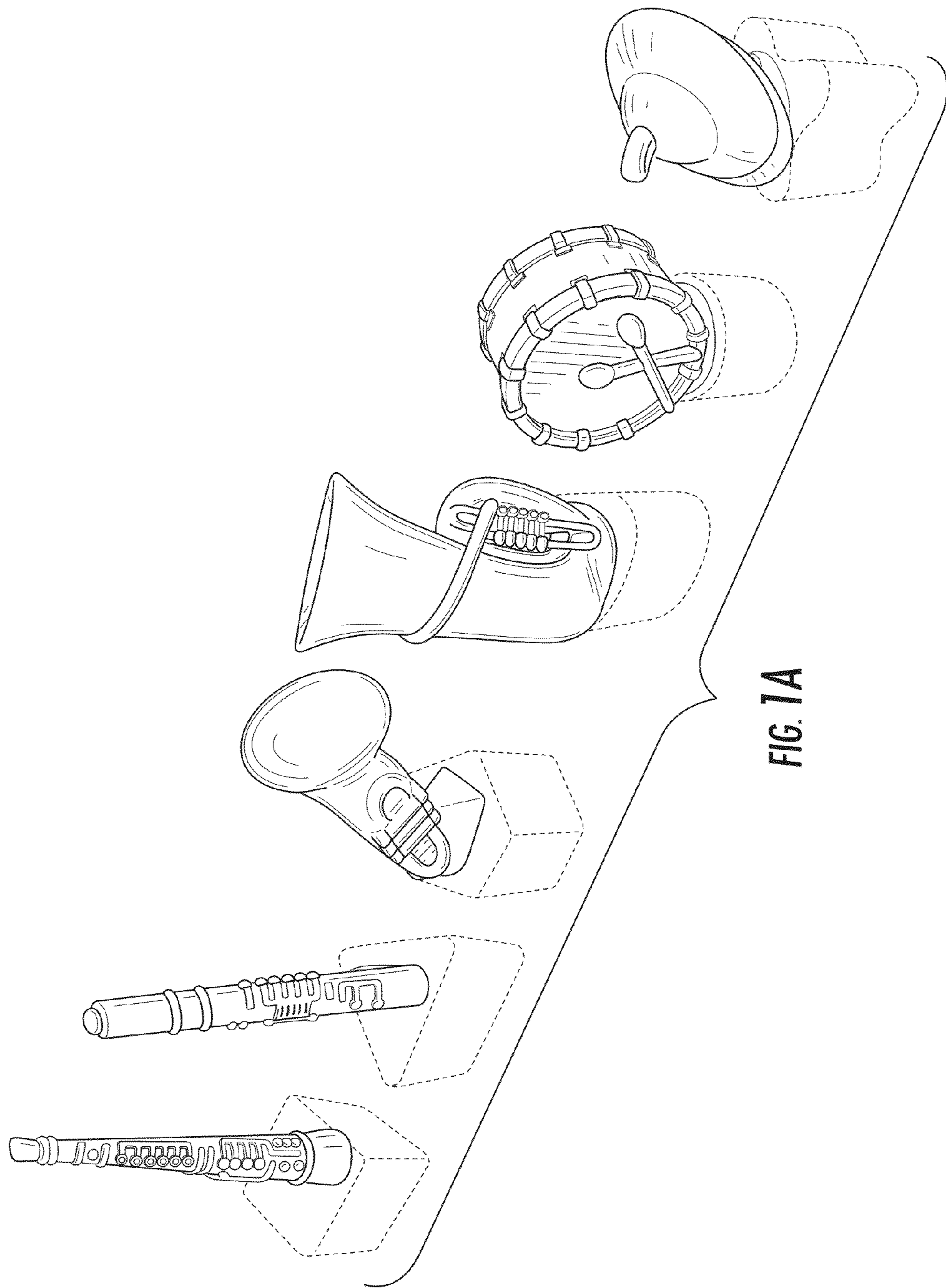


FIG. 7A

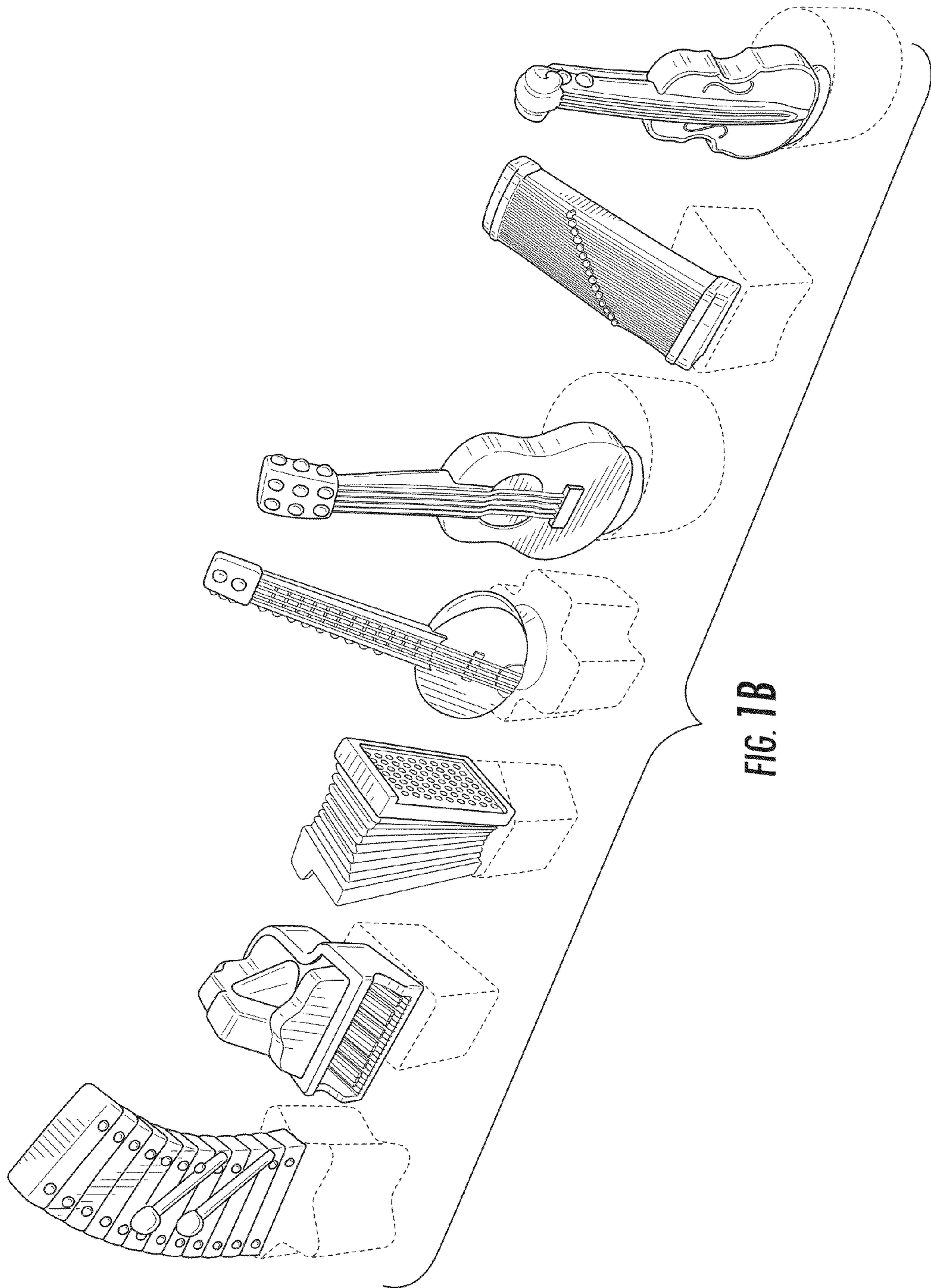


FIG. 1B

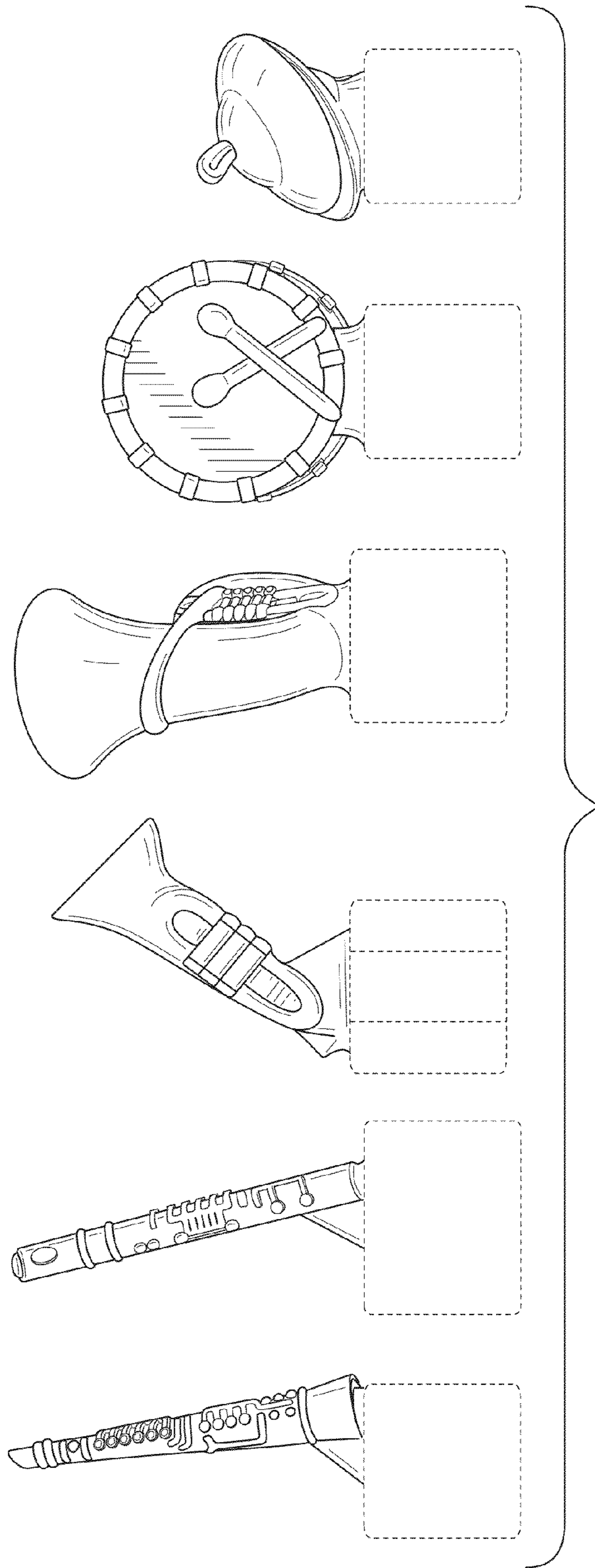


FIG. 2A

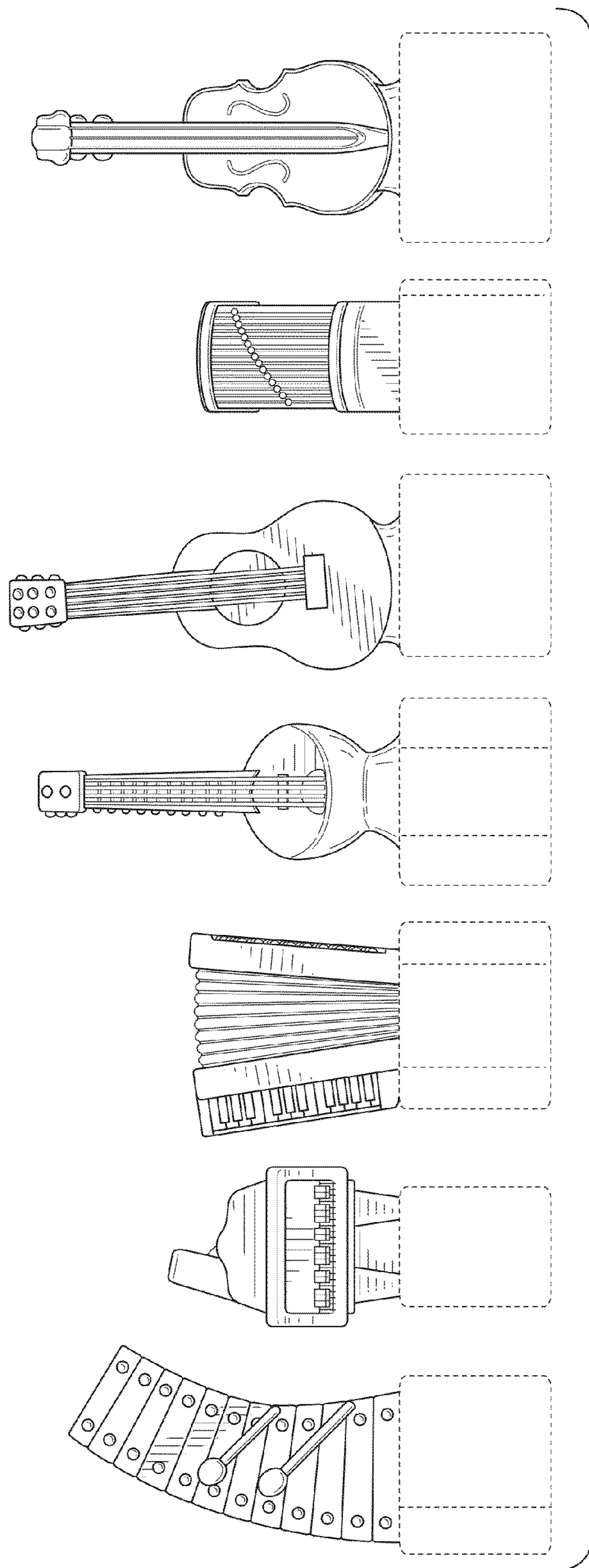


FIG. 2B

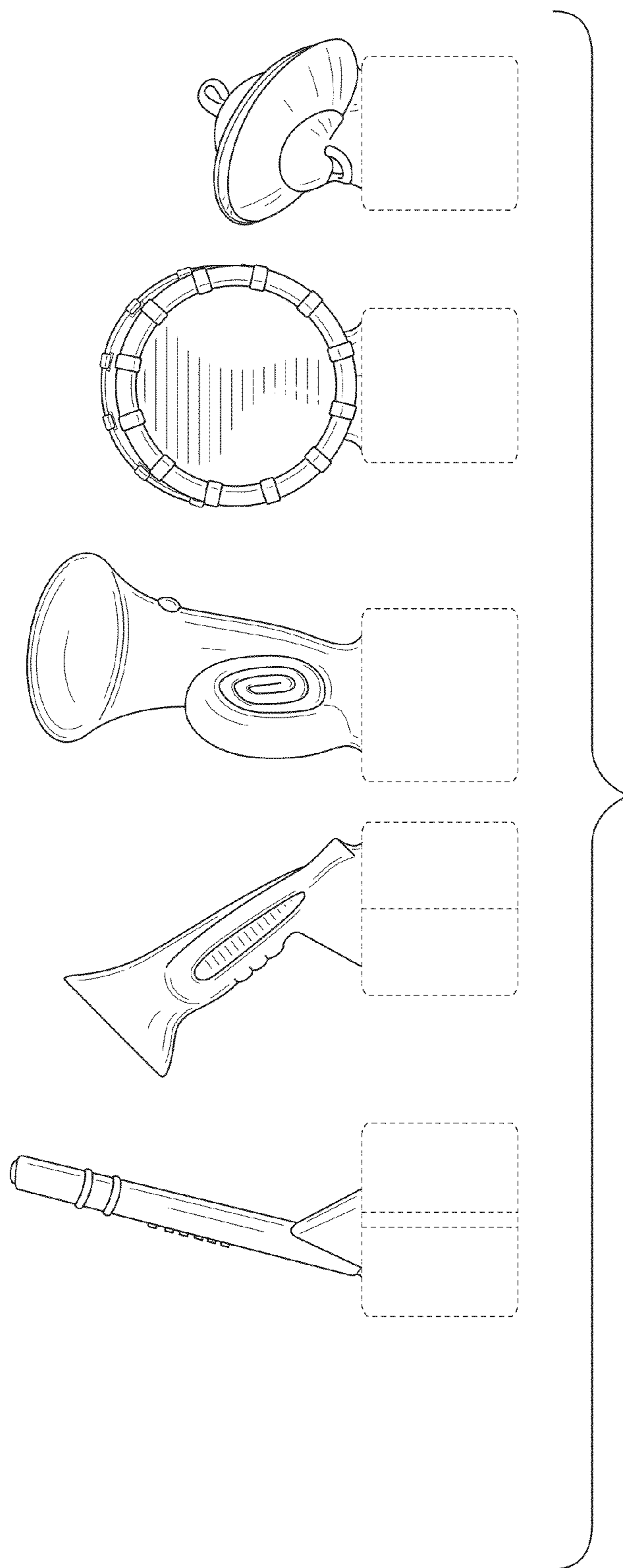


FIG. 3A

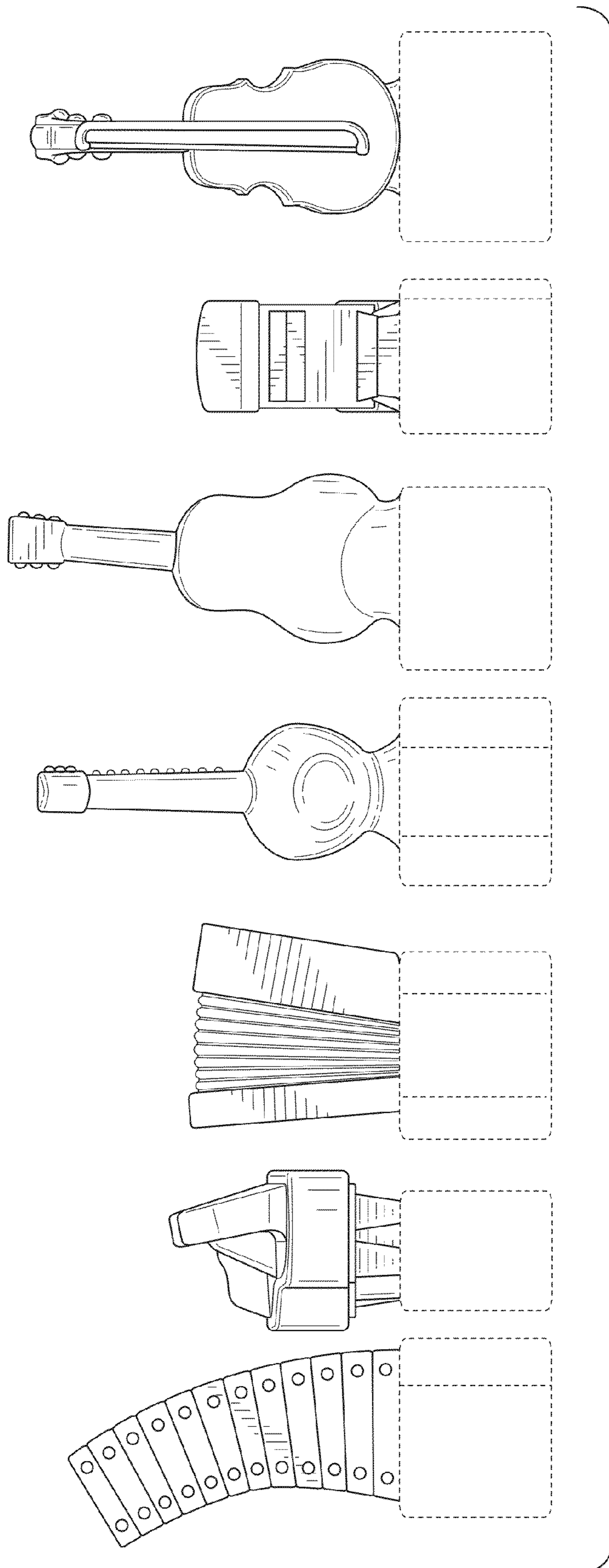


FIG. 3B

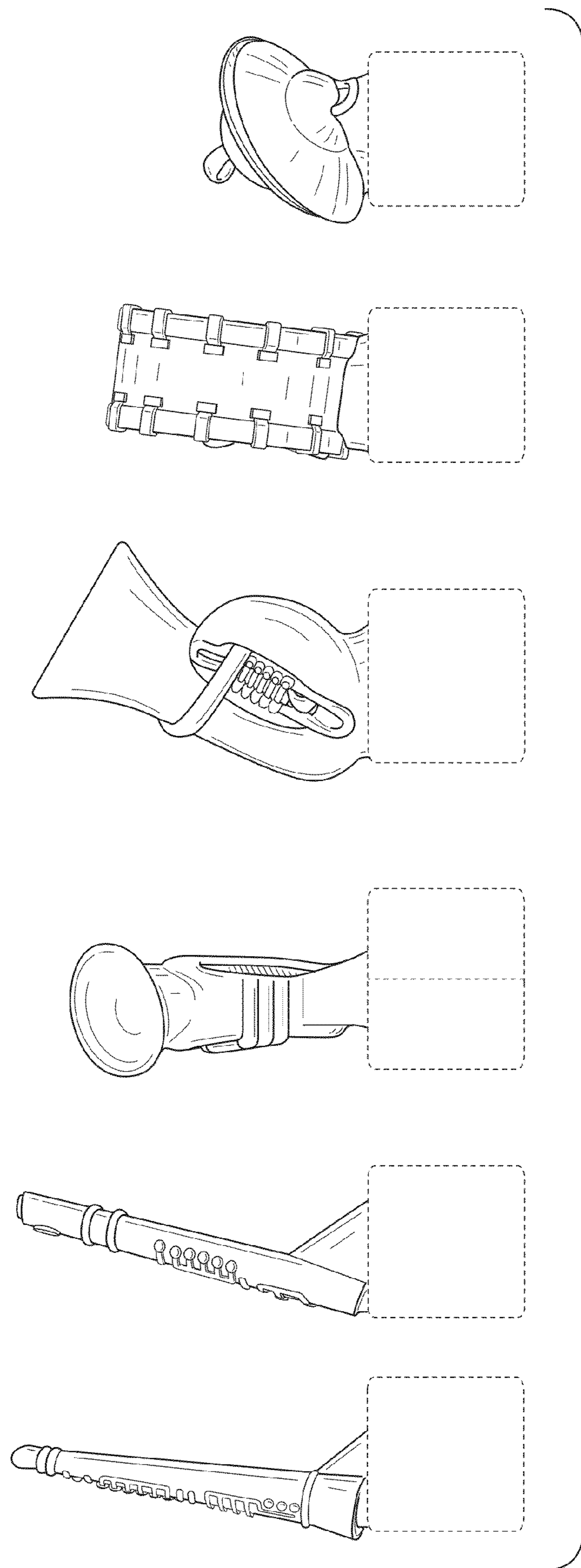
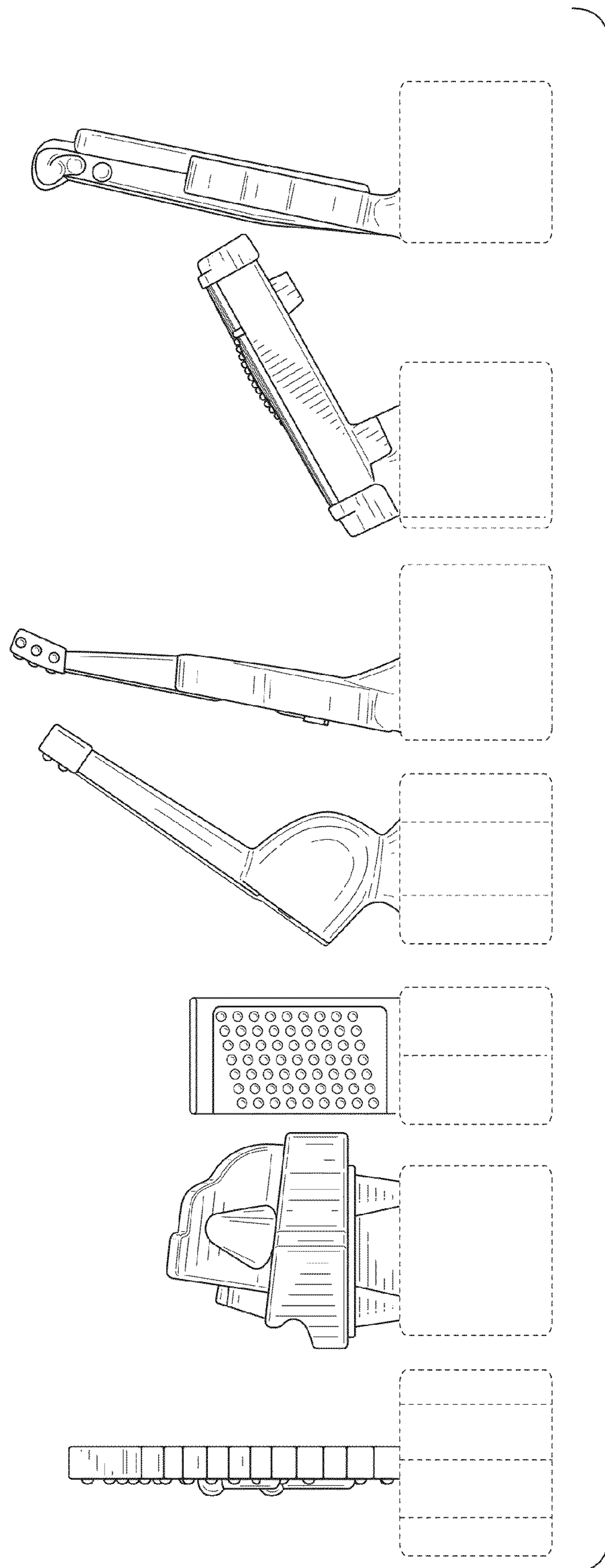


FIG. 4A



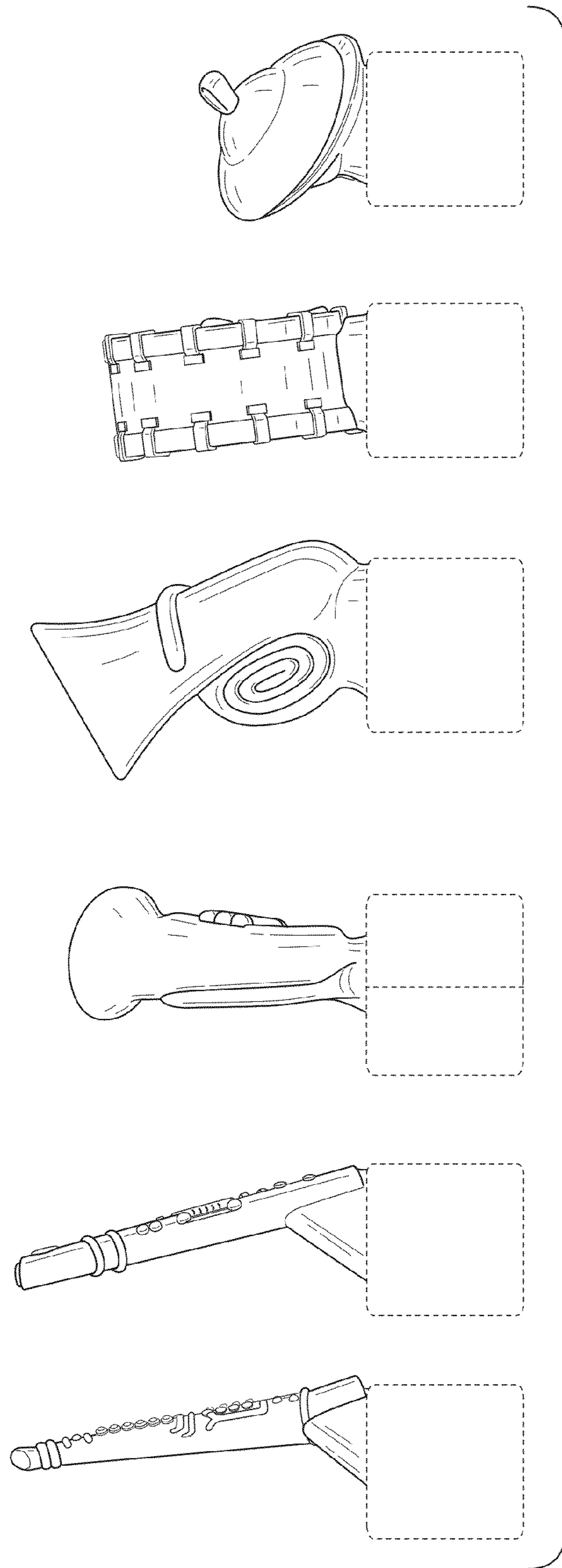


FIG. 5A

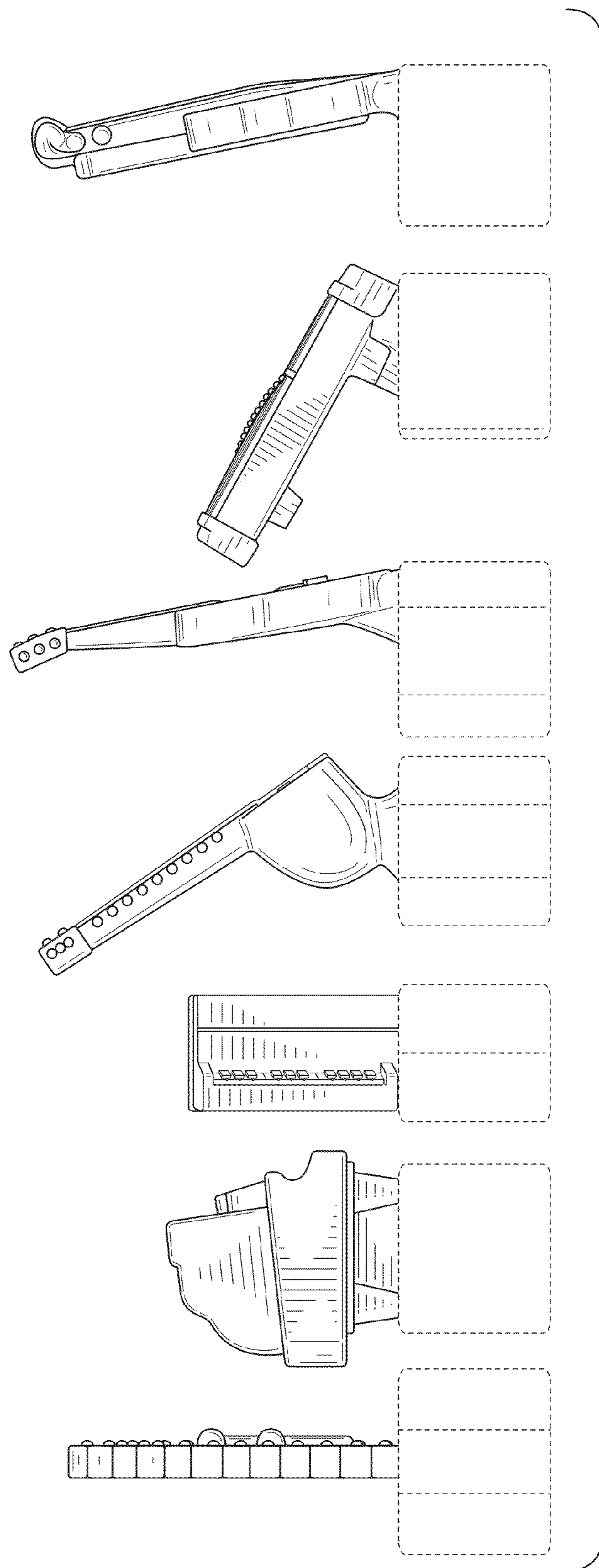


FIG. 5B

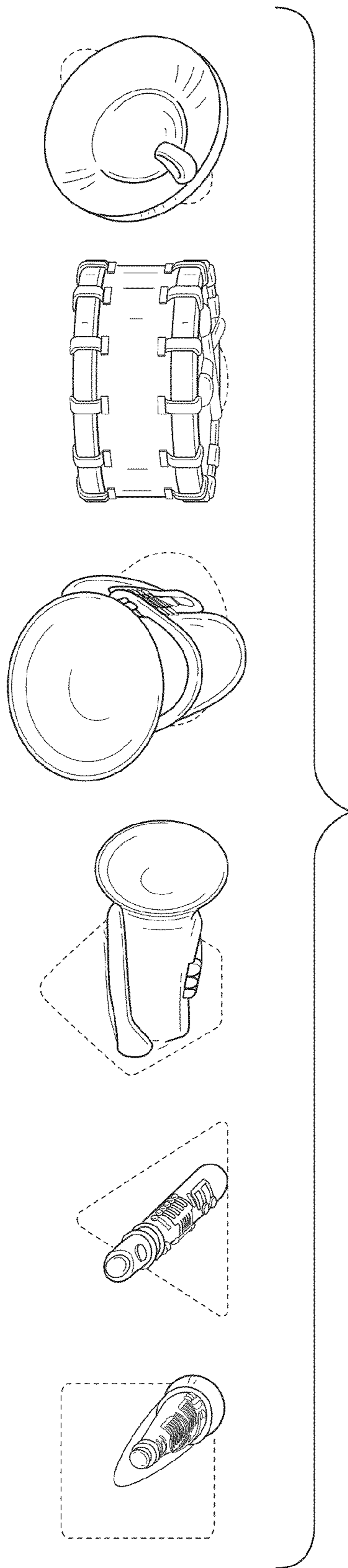


FIG. 6A

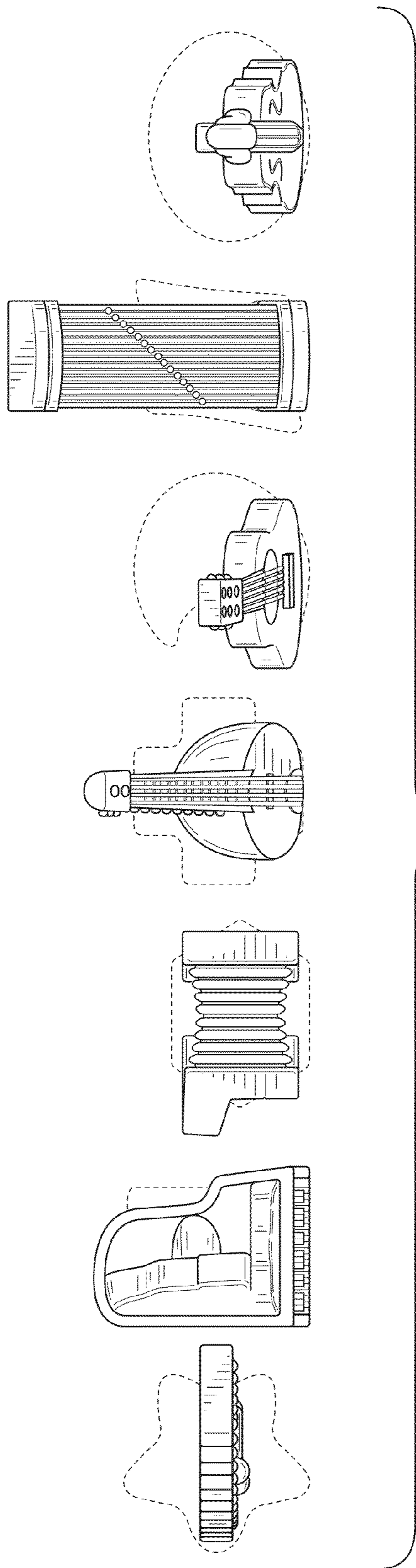


FIG. 6B