



US00D715364S

(12) **United States Design Patent**
Wudtke et al.

(10) **Patent No.:** **US D715,364 S**
(45) **Date of Patent:** **** Oct. 14, 2014**

(54) **GAMING MACHINE CAROUSEL DISPLAY**

(56) **References Cited**

(71) Applicant: **Bally Gaming, Inc.**, Las Vegas, NV
(US)
(72) Inventors: **Karl Wudtke**, Las Vegas, NV (US);
Vernon Bernard, Las Vegas, NV (US)

U.S. PATENT DOCUMENTS

7,766,738 B2 * 8/2010 Ogiwara 463/16
8,628,397 B2 * 1/2014 Kusuda et al. 463/17
2012/0302315 A1 * 11/2012 Ikeya et al. 463/20

(73) Assignee: **Bally Gaming, Inc.**, Las Vegas, NV
(US)

Primary Examiner — George D Kirschbaum
(74) *Attorney, Agent, or Firm* — Marvin Hein

(**) Term: **14 Years**

(57) **CLAIM**
The ornamental design for a gaming machine carousel display, as shown and described.

(21) Appl. No.: **29/471,720**

DESCRIPTION

(22) Filed: **Nov. 4, 2013**

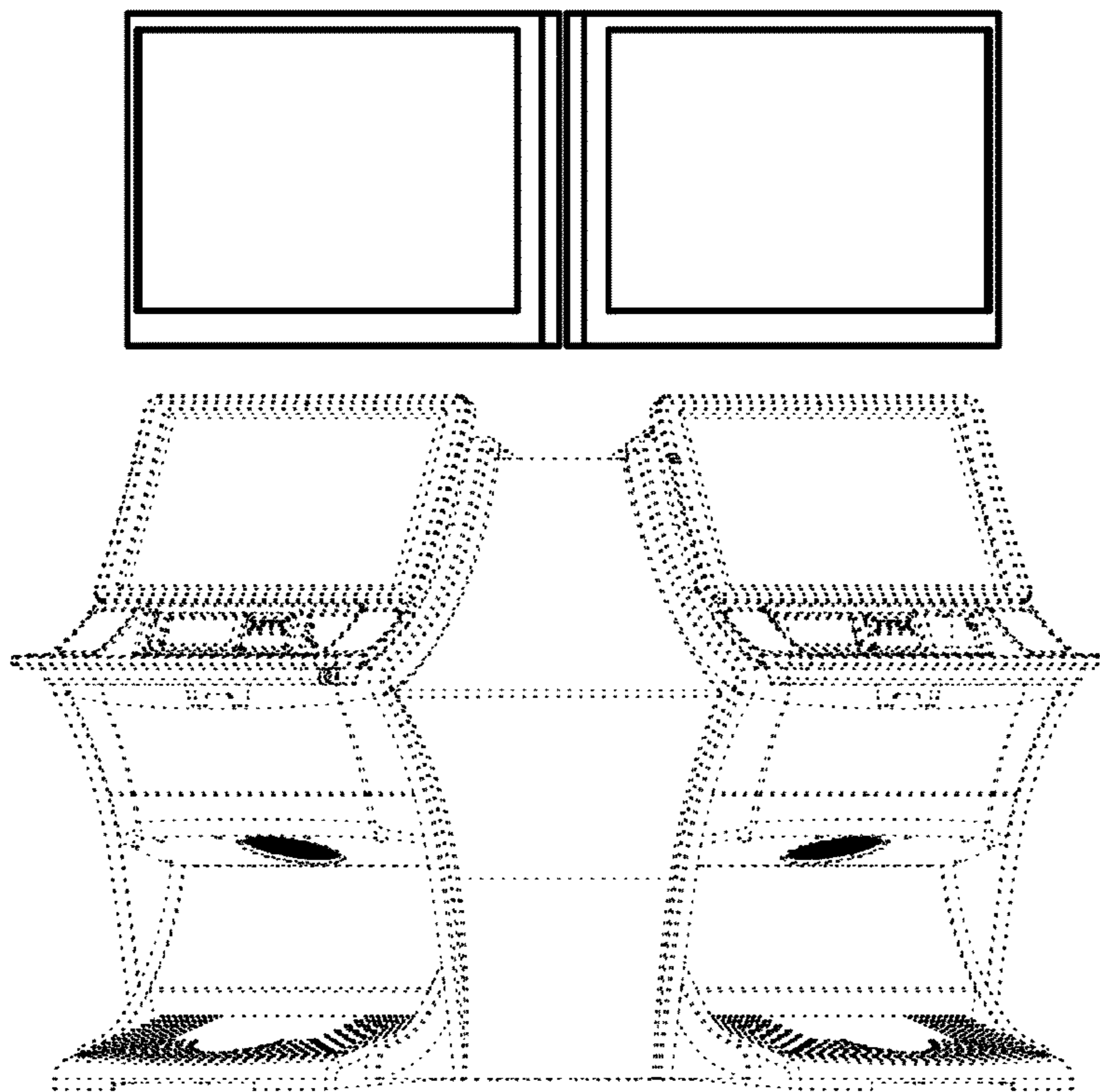
(51) **LOC (10) Cl.** **21-01**

(52) **U.S. Cl.**
USPC **D21/385**

FIG. 1 is a perspective view of a display for a gaming machine carousel, showing our new design;
FIG. 2 is a top view thereof;
FIG. 3 is a front elevational view thereof; and,
FIG. 4 is a right side elevational view thereof.
The gaming machines illustrated with broken lines in FIGS. 1-4 indicate disclaimed portions and form no part of the claimed design.

(58) **Field of Classification Search**
USPC D21/307-308, 334-368, 376-397;
273/236-287, 288-291; 463/16, 17, 20
See application file for complete search history.

1 Claim, 4 Drawing Sheets



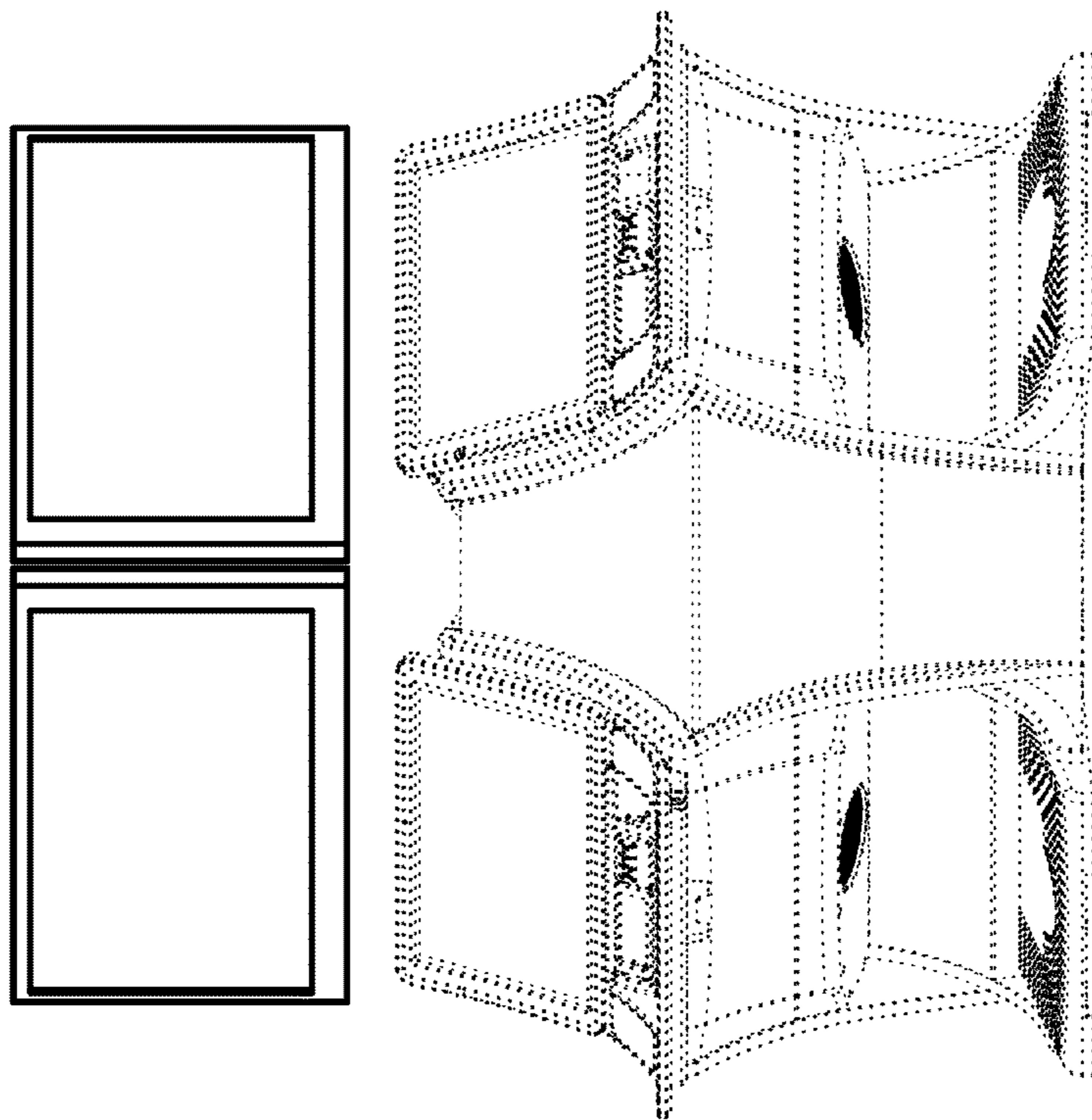


FIG.1

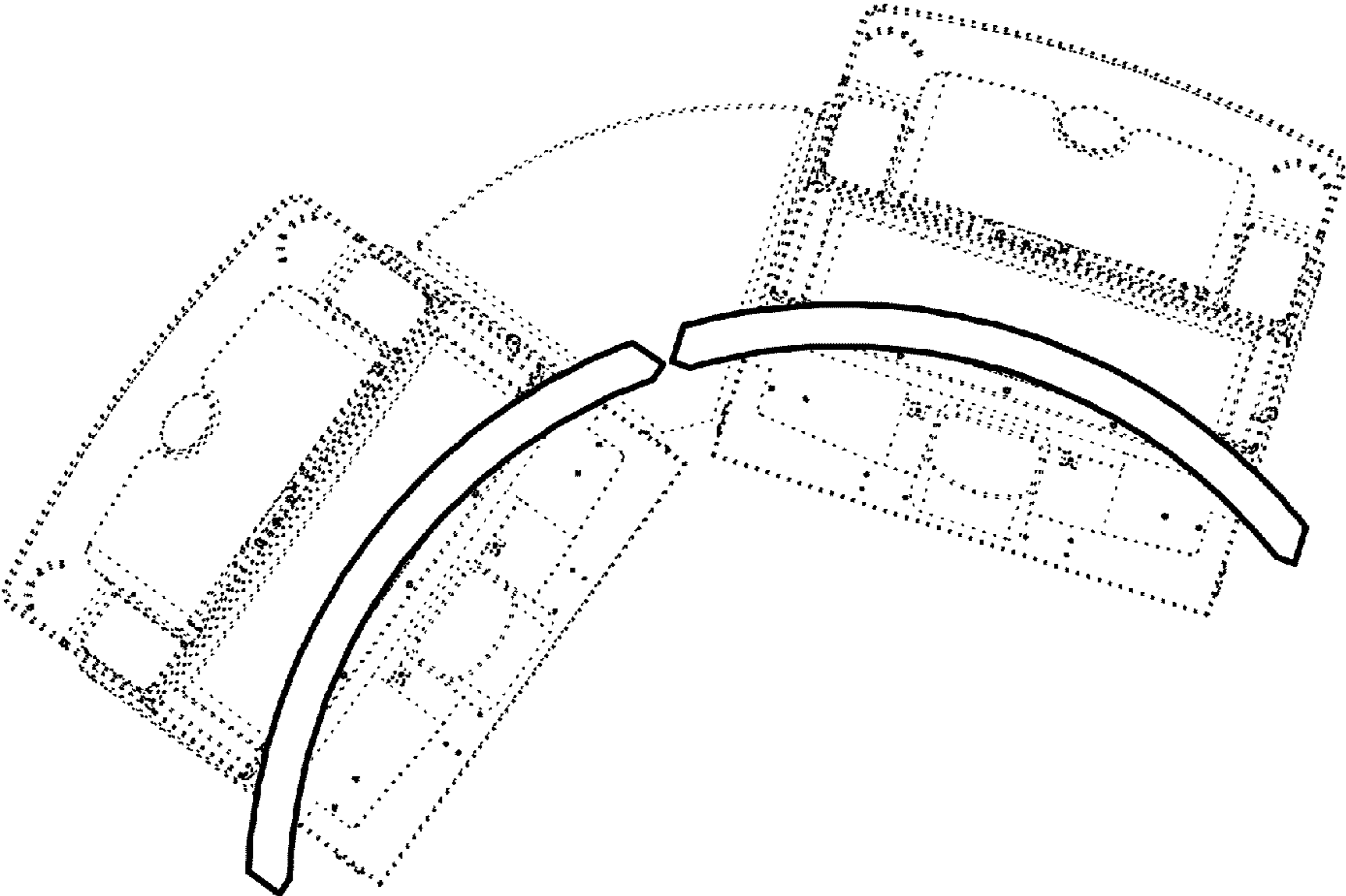


FIG. 2

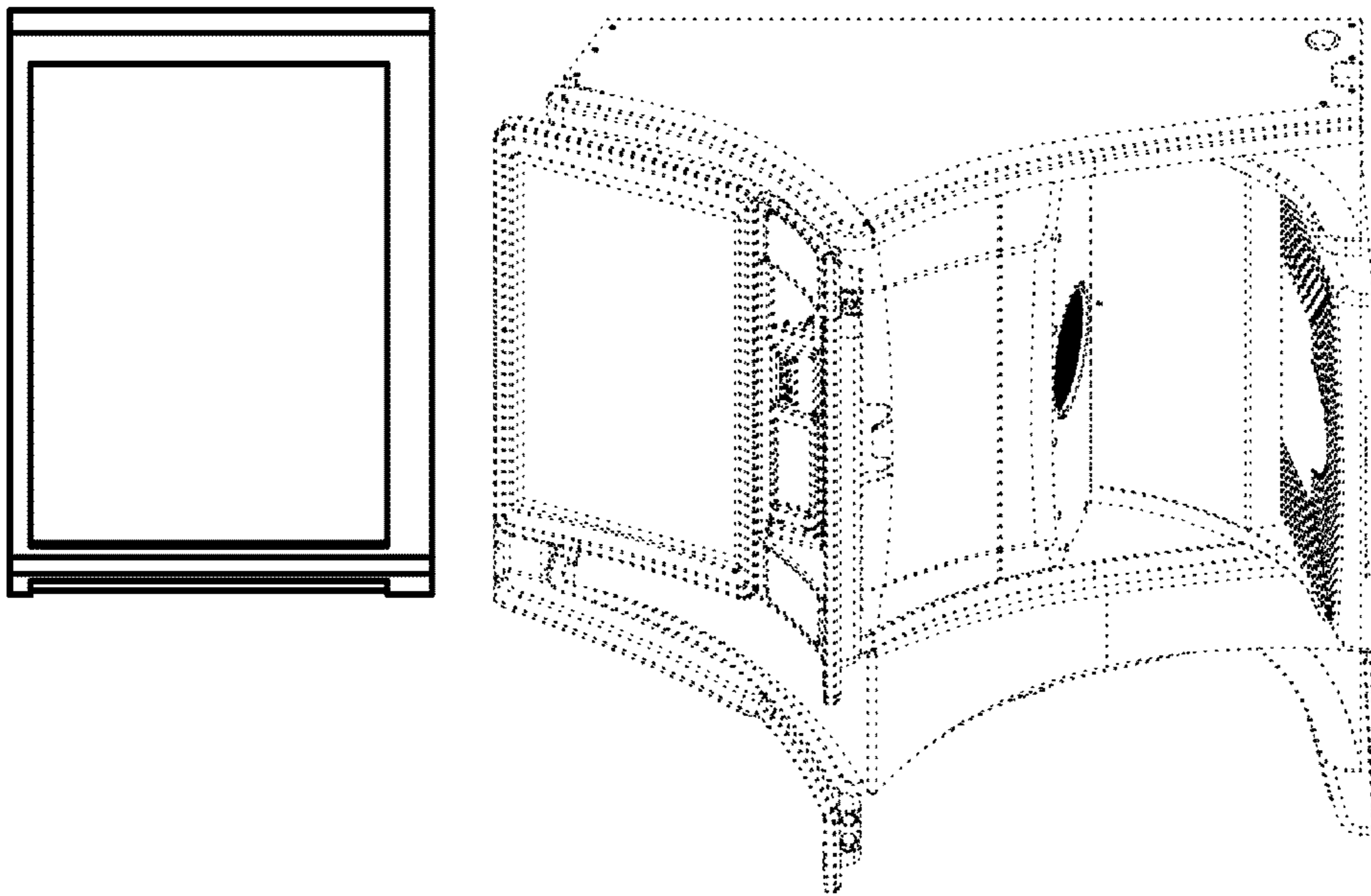


FIG.3

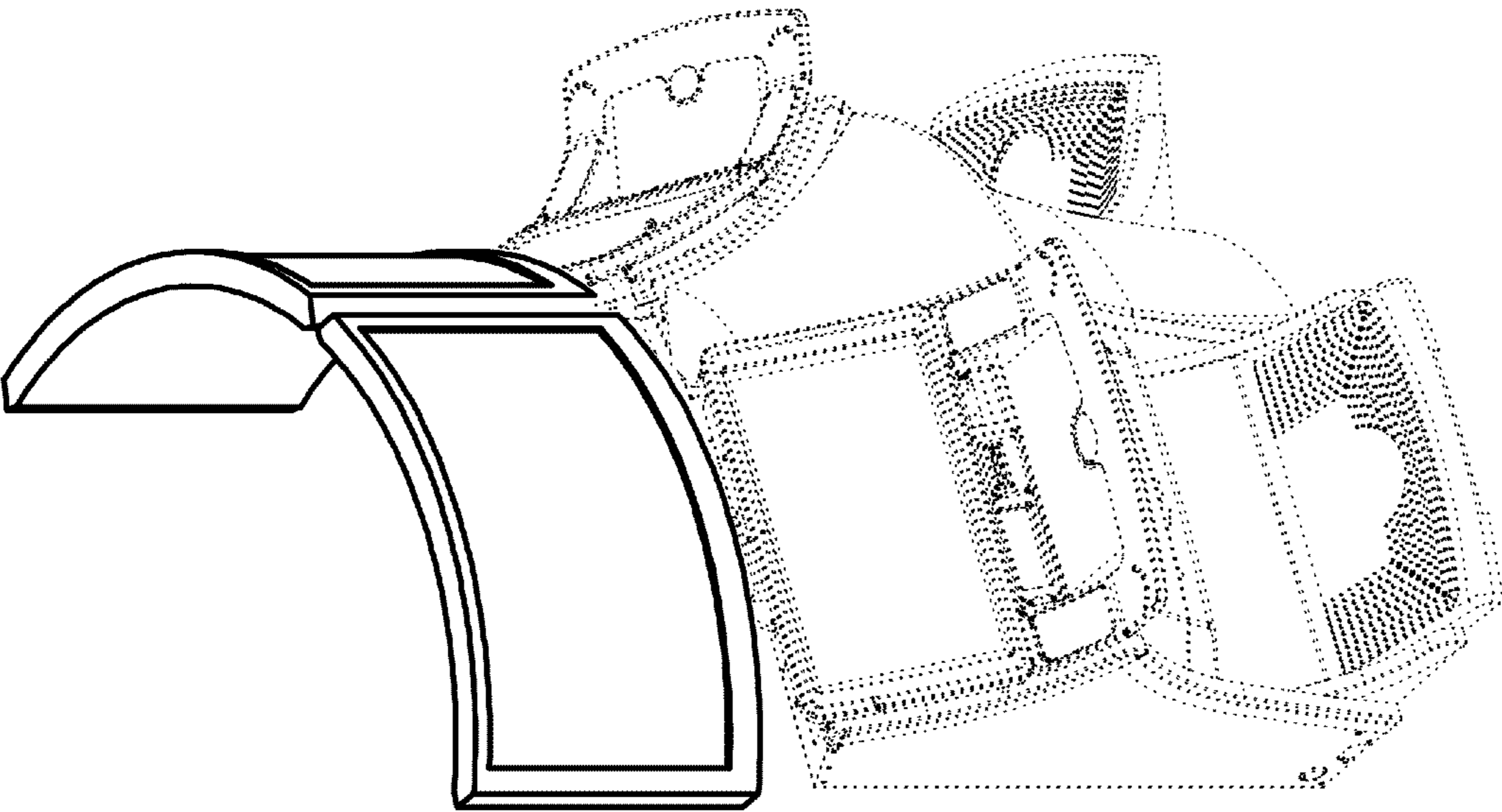


FIG.4