



US00D715359S

(12) **United States Design Patent**
Morales

(10) **Patent No.:** **US D715,359 S**

(45) **Date of Patent:** **** Oct. 14, 2014**

(54) **WRITING INSTRUMENT**

(71) Applicant: **Jose Alejandro Arciga Morales**, Kings Park (AU)

(72) Inventor: **Jose Alejandro Arciga Morales**, Kings Park (AU)

(**) Term: **14 Years**

(21) Appl. No.: **29/453,432**

(22) Filed: **Apr. 29, 2013**

(30) **Foreign Application Priority Data**

Oct. 31, 2012 (AU) 15418/2012

(51) **LOC (10) Cl.** **19-06**

(52) **U.S. Cl.**
USPC **D19/163; D19/905; D19/927**

(58) **Field of Classification Search**
CPC B43K 27/00; B43K 27/12; B43K 24/02
USPC D14/411; D19/115-186, 901, 905, 927;
24/11 R, 11 F, 11 P; 401/52, 99, 109,
401/192, 195, 196
See application file for complete search history.

(56) **References Cited**

U.S. PATENT DOCUMENTS

| | | | | | |
|-----------|-----|---------|-------------|-------|--------|
| 2,608,953 | A * | 9/1952 | Kollsman | | 401/35 |
| 3,079,895 | A * | 3/1963 | Gordon | | 401/35 |
| D205,872 | S * | 9/1966 | Parker | | D19/48 |
| D260,531 | S * | 9/1981 | Della Beffa | | D19/47 |
| D358,168 | S * | 5/1995 | Osada | | D19/48 |
| D385,914 | S * | 11/1997 | Shimizu | | D19/48 |

| | | | | | |
|-----------|------|---------|-----------------------|-------|---------|
| D533,592 | S * | 12/2006 | Cheng | | D19/50 |
| D539,430 | S * | 3/2007 | Lowsky et al. | | D24/193 |
| D551,707 | S * | 9/2007 | Neuenschwander et al. | .. | D19/47 |
| D552,745 | S * | 10/2007 | Beckman | | D24/194 |
| D580,489 | S * | 11/2008 | Ma | | D19/36 |
| D646,713 | S * | 10/2011 | Maiaro et al. | | D19/36 |
| D667,876 | S * | 9/2012 | Xie | | D19/43 |
| 8,262,304 | B2 * | 9/2012 | Llach et al. | | 401/109 |
| D682,436 | S * | 5/2013 | Lowsky | | D24/194 |
| D685,792 | S * | 7/2013 | Nakajima et al. | | D14/411 |
| D692,429 | S * | 10/2013 | So | | D14/411 |
| D692,485 | S * | 10/2013 | Newson | | D19/170 |
| D692,889 | S * | 11/2013 | So | | D14/411 |
| D697,916 | S * | 1/2014 | Dowd et al. | | D14/411 |

* cited by examiner

Primary Examiner — Elizabeth Albert

(74) *Attorney, Agent, or Firm* — TraskBritt, P.C.

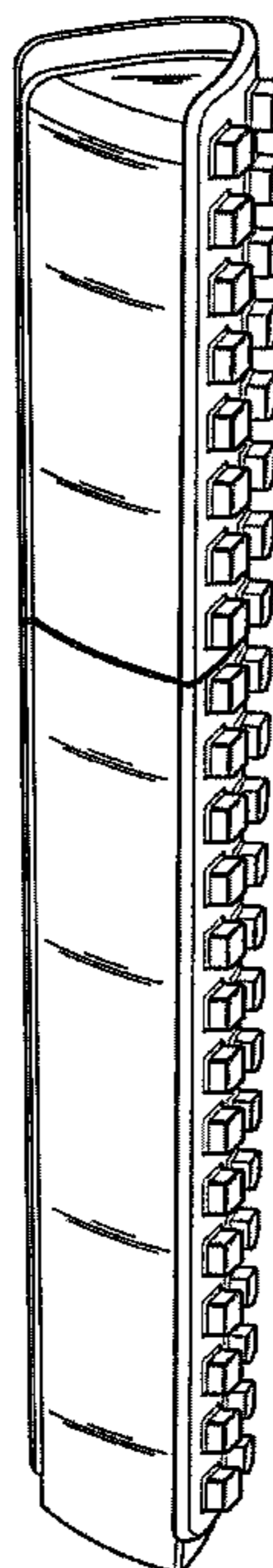
(57) **CLAIM**

The ornamental design for a writing instrument, as shown and described.

DESCRIPTION

FIG. 1 is a isometric view showing a design;
FIG. 2 is a front view of the design;
FIG. 3 is a rear view of the design;
FIG. 4 is a left side view of the design;
FIG. 5 is a right side view of the design;
FIG. 6 is a top view of the design;
FIG. 7 is a bottom view of the design; and,
FIG. 8 is an exploded view of the design.
The broken lines in FIG. 8 are included for the purpose of showing portions of the writing instrument that form no part of the claimed design.

1 Claim, 6 Drawing Sheets



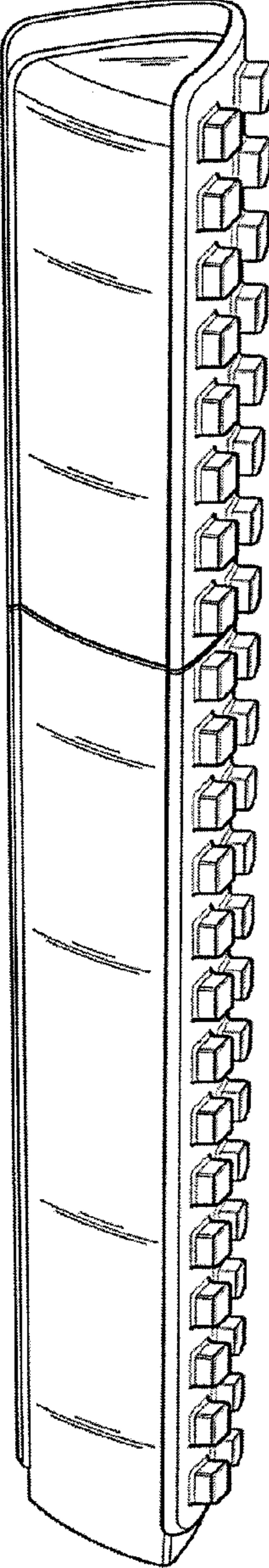


FIG. 1

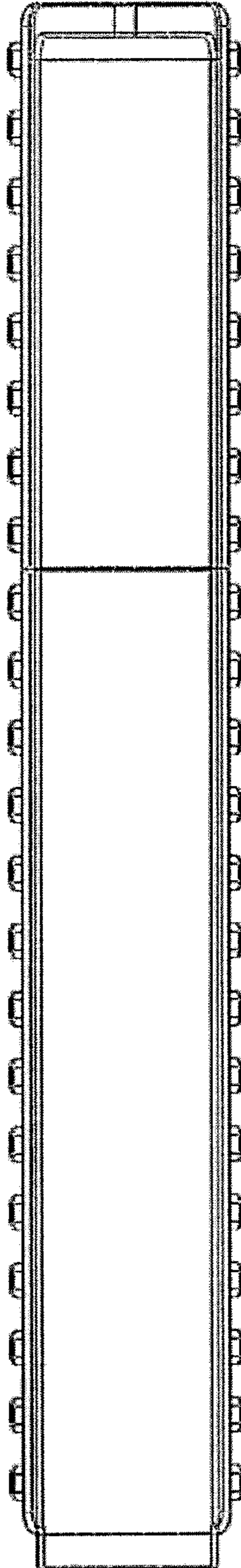


FIG. 2

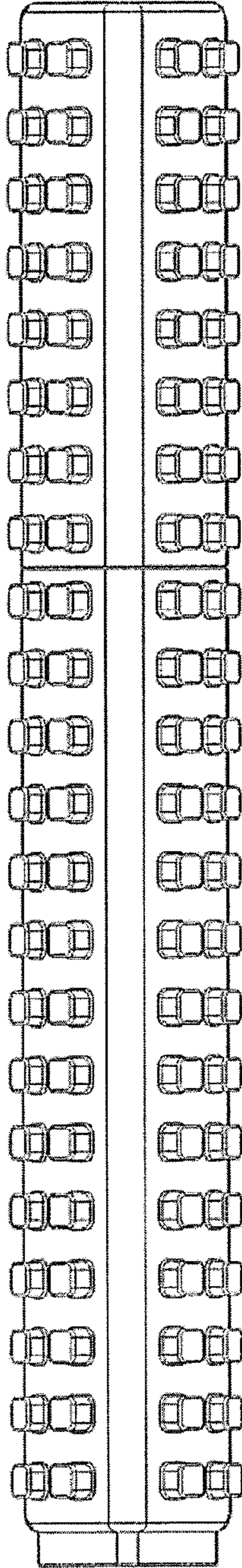


FIG. 3

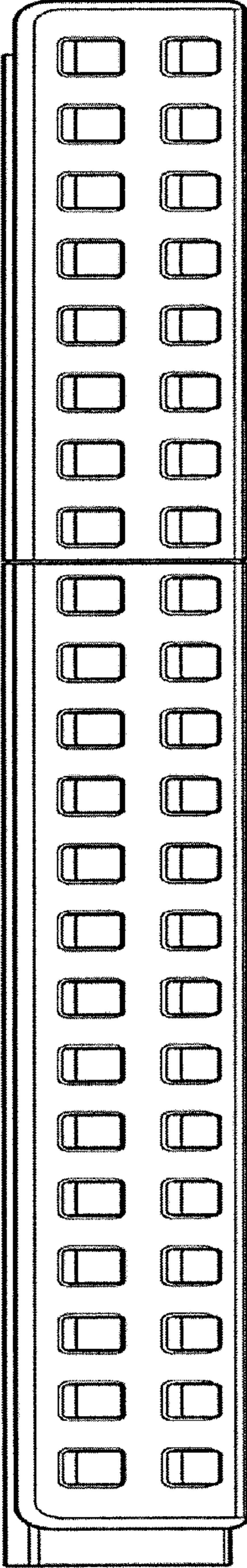


FIG. 4

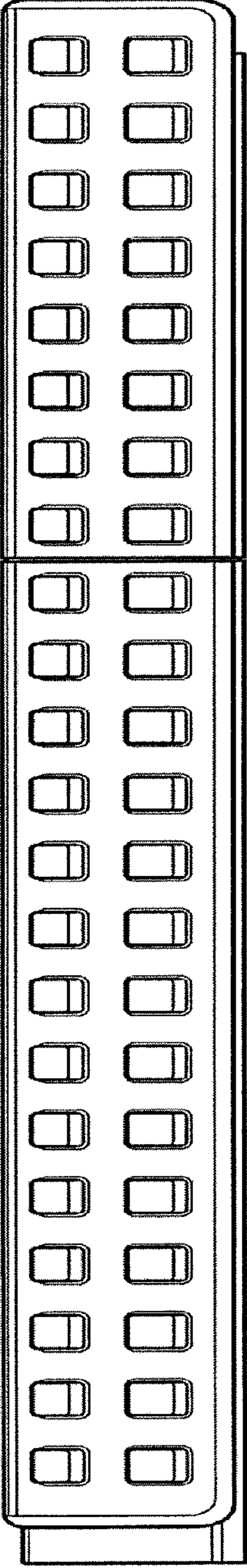


FIG. 5

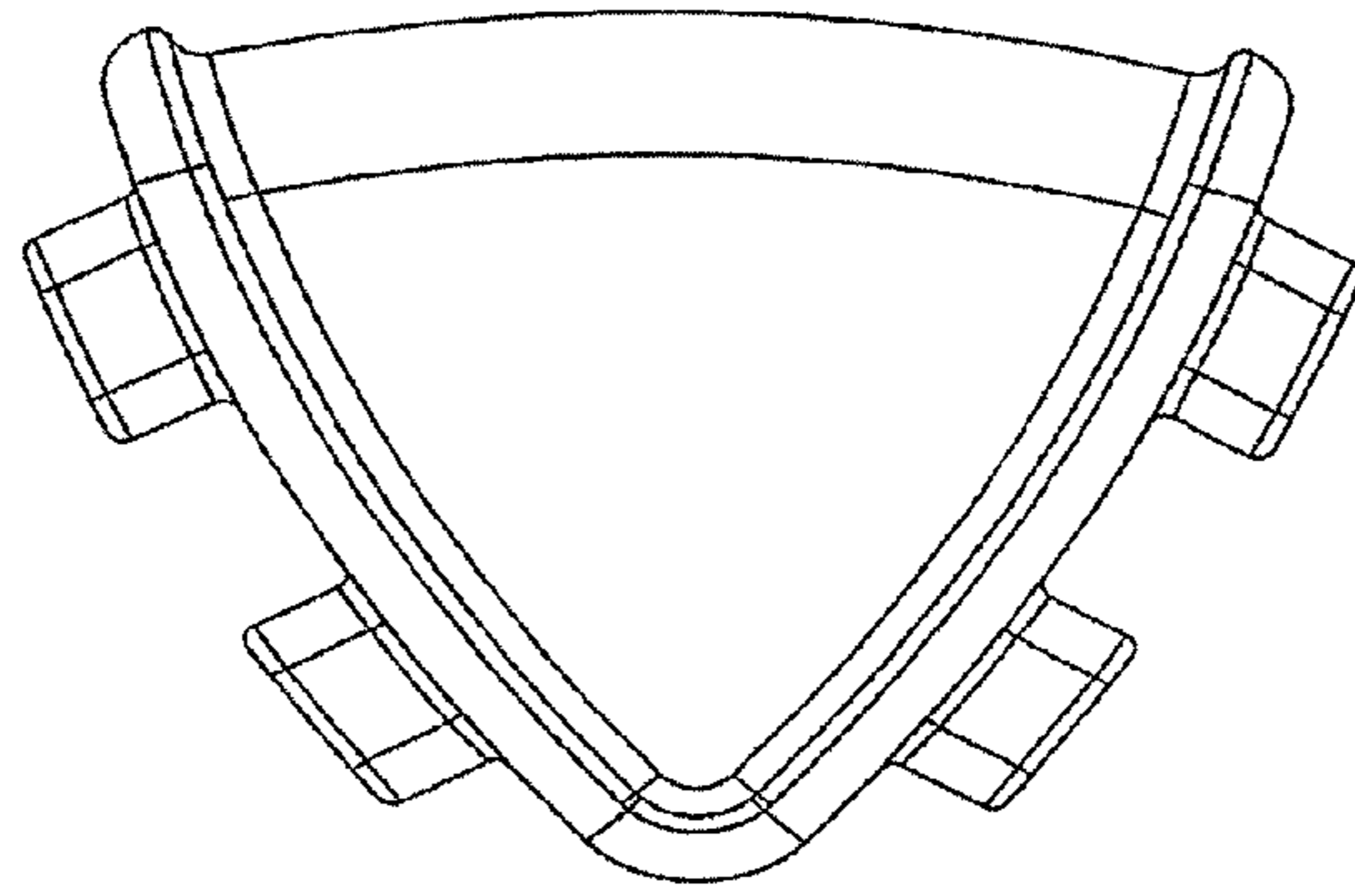


FIG. 6

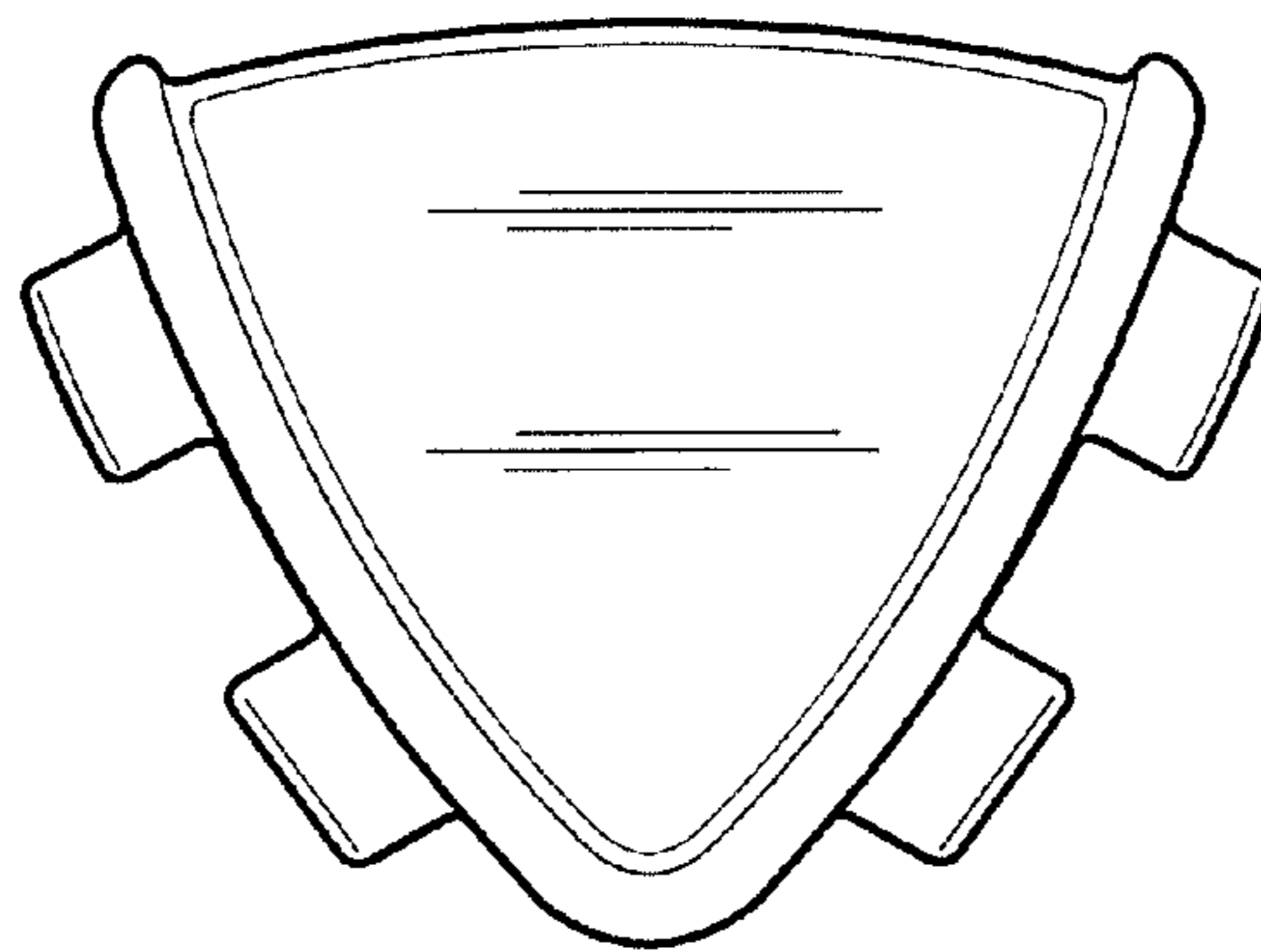


FIG. 7

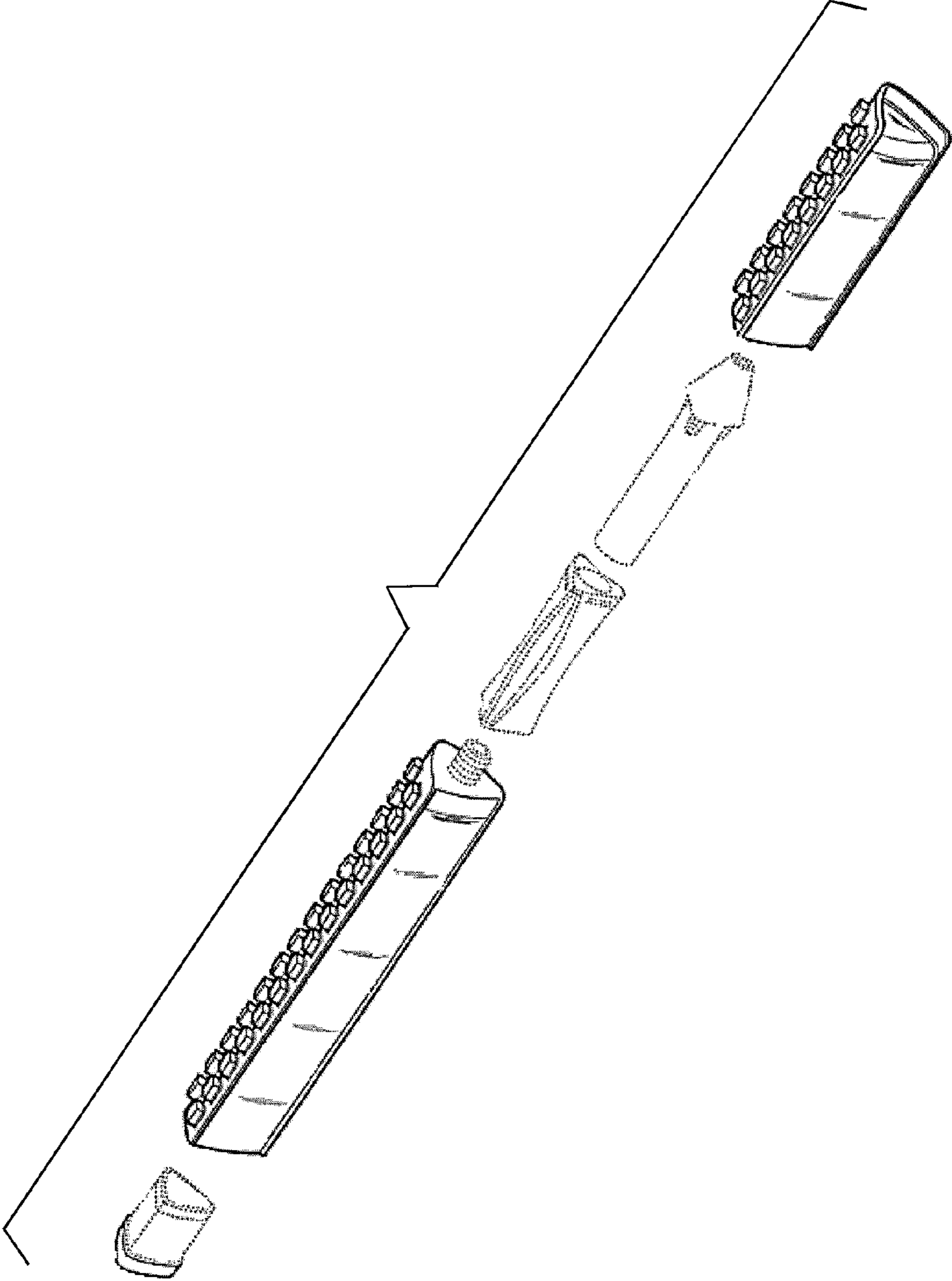


FIG. 8