



US00D715356S

(12) **United States Design Patent**
Nakagawa et al.

(10) **Patent No.:** **US D715,356 S**

(45) **Date of Patent:** **** Oct. 14, 2014**

(54) **TAPE PRINTING MACHINE**

(71) Applicants: **Ryoichi Nakagawa**, Nagoya (JP);
Nobuyuki Iwai, Chita-gun (JP);
Hiromitsu Tanaka, Nagoya (JP)

(72) Inventors: **Ryoichi Nakagawa**, Nagoya (JP);
Nobuyuki Iwai, Chita-gun (JP);
Hiromitsu Tanaka, Nagoya (JP)

(73) Assignee: **Brother Industries, Ltd.**, Nagoya (JP)

(**) Term: **14 Years**

(21) Appl. No.: **29/457,403**

(22) Filed: **Jun. 10, 2013**

(30) **Foreign Application Priority Data**

Dec. 13, 2012 (JP) 2012-30448

(51) **LOC (10) Cl.** **18-02**

(52) **U.S. Cl.**
USPC **D18/50**; D18/19

(58) **Field of Classification Search**
USPC D18/14, 19, 36-39, 50, 53, 54, 54.1,
D18/55; D14/420-425, 462-470, 300-301,
D14/308; 400/613, 613.1-613.4,
400/690.1-690.4, 691-694

See application file for complete search history.

(56) **References Cited**

U.S. PATENT DOCUMENTS

D362,673	S	*	9/1995	Yamamoto	D18/19
6,572,290	B2	*	6/2003	McCleave et al.	400/621
D528,587	S	*	9/2006	Nakaeda	D18/19
7,195,411	B2	*	3/2007	Matsuo et al.	400/693
D594,504	S	*	6/2009	Hattori	D18/19
D615,968	S	*	5/2010	Herbst et al.	D14/300
D641,394	S	*	7/2011	Inada	D18/50
D689,864	S	*	9/2013	Vaughan et al.	D14/421
D694,319	S	*	11/2013	Nakagawa	D18/50
D697,906	S	*	1/2014	Morooka et al.	D14/300

* cited by examiner

Primary Examiner — Cathy A MacCormac

(74) *Attorney, Agent, or Firm* — Oliff PLC

(57) **CLAIM**

The ornamental design for a tape printing machine, as shown and described.

DESCRIPTION

FIG. 1 is a perspective view of a tape printing machine;

FIG. 2 is a front view thereof;

FIG. 3 is a top view thereof;

FIG. 4 is a right-side view thereof;

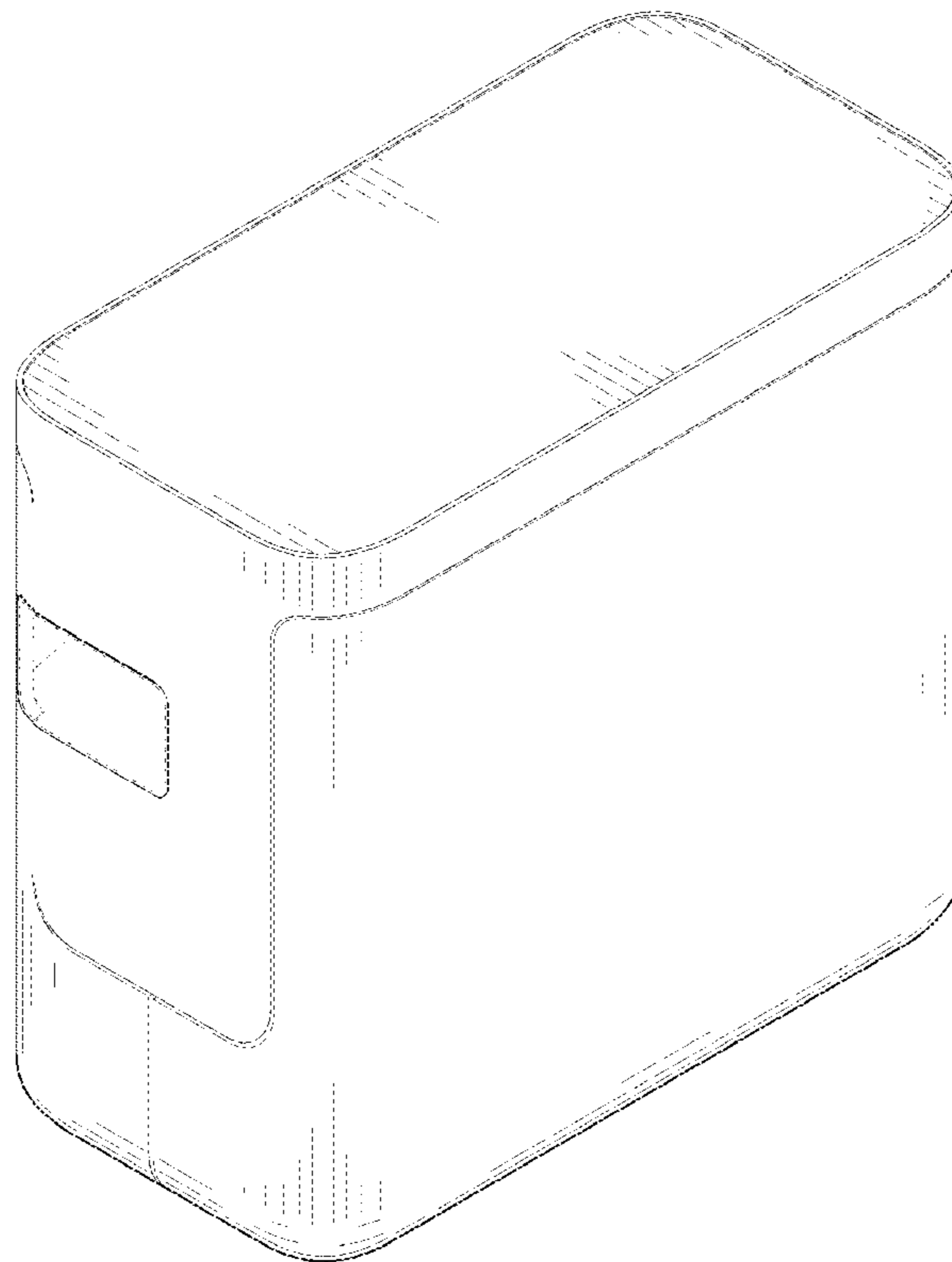
FIG. 5 is a left-side view thereof;

FIG. 6 is a rear view thereof; and,

FIG. 7 is a bottom view thereof.

The broken lines depict environmental subject matter only and form no part of the claimed design.

1 Claim, 7 Drawing Sheets



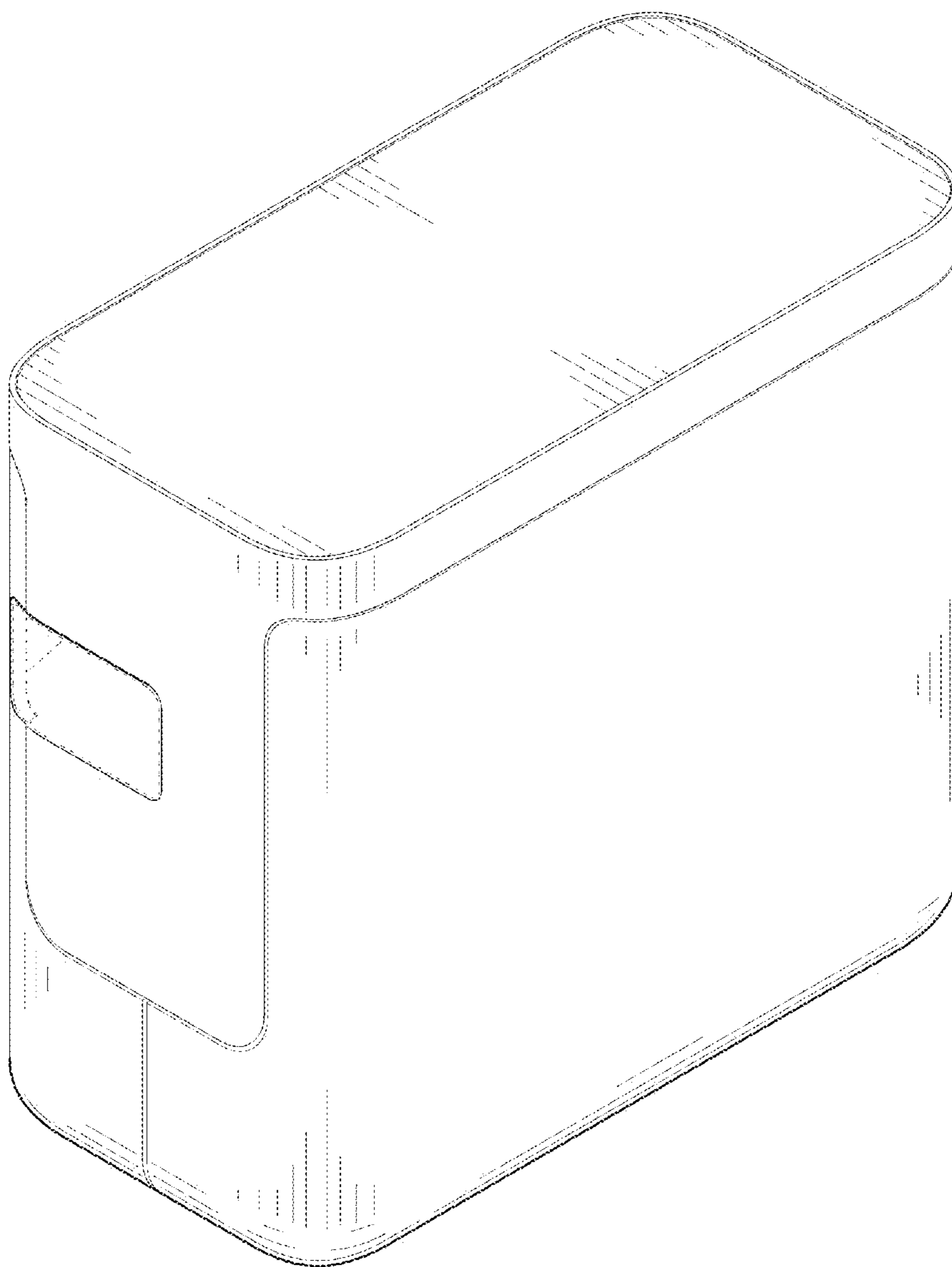


FIG. 1

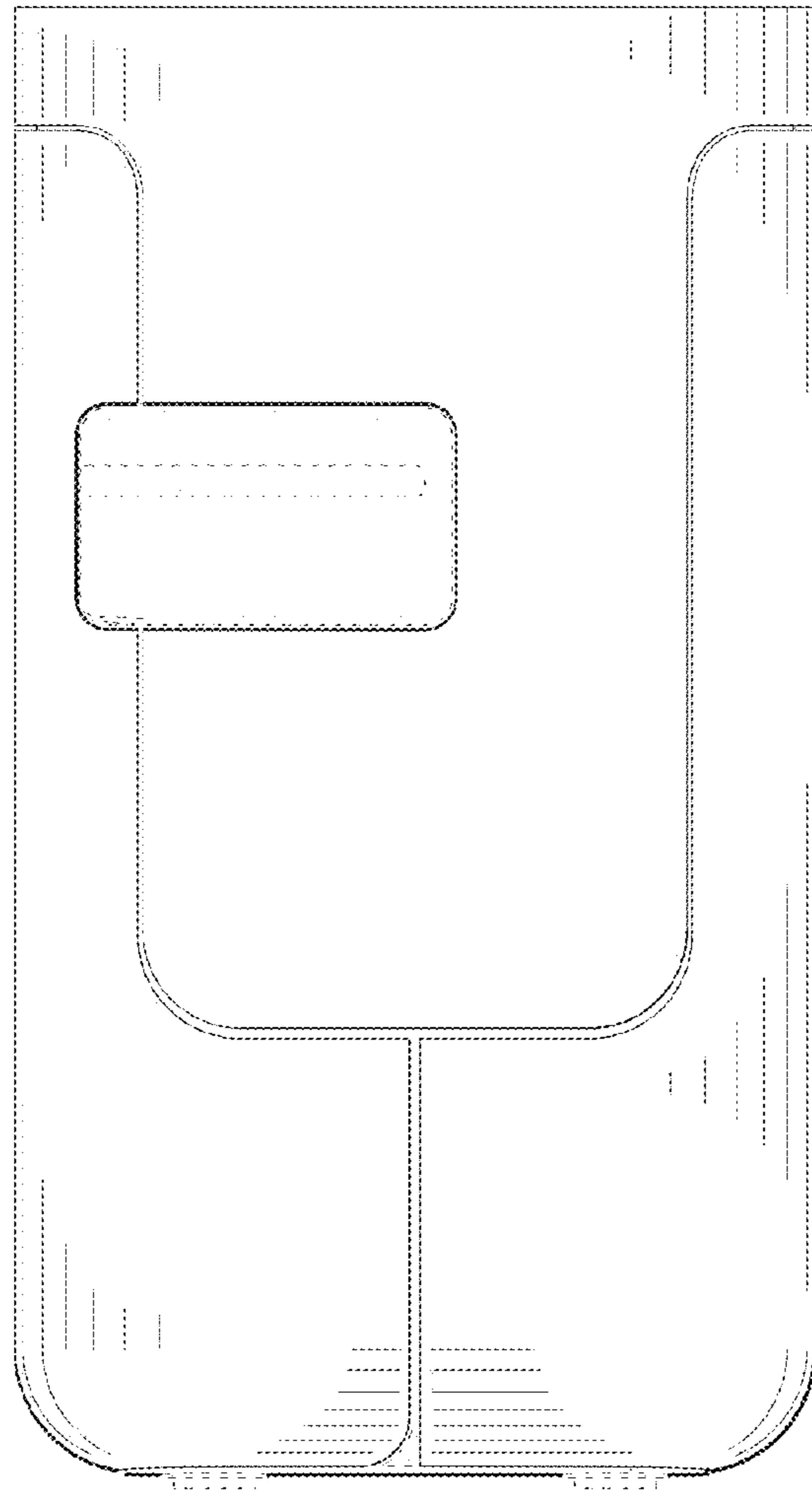


FIG. 2

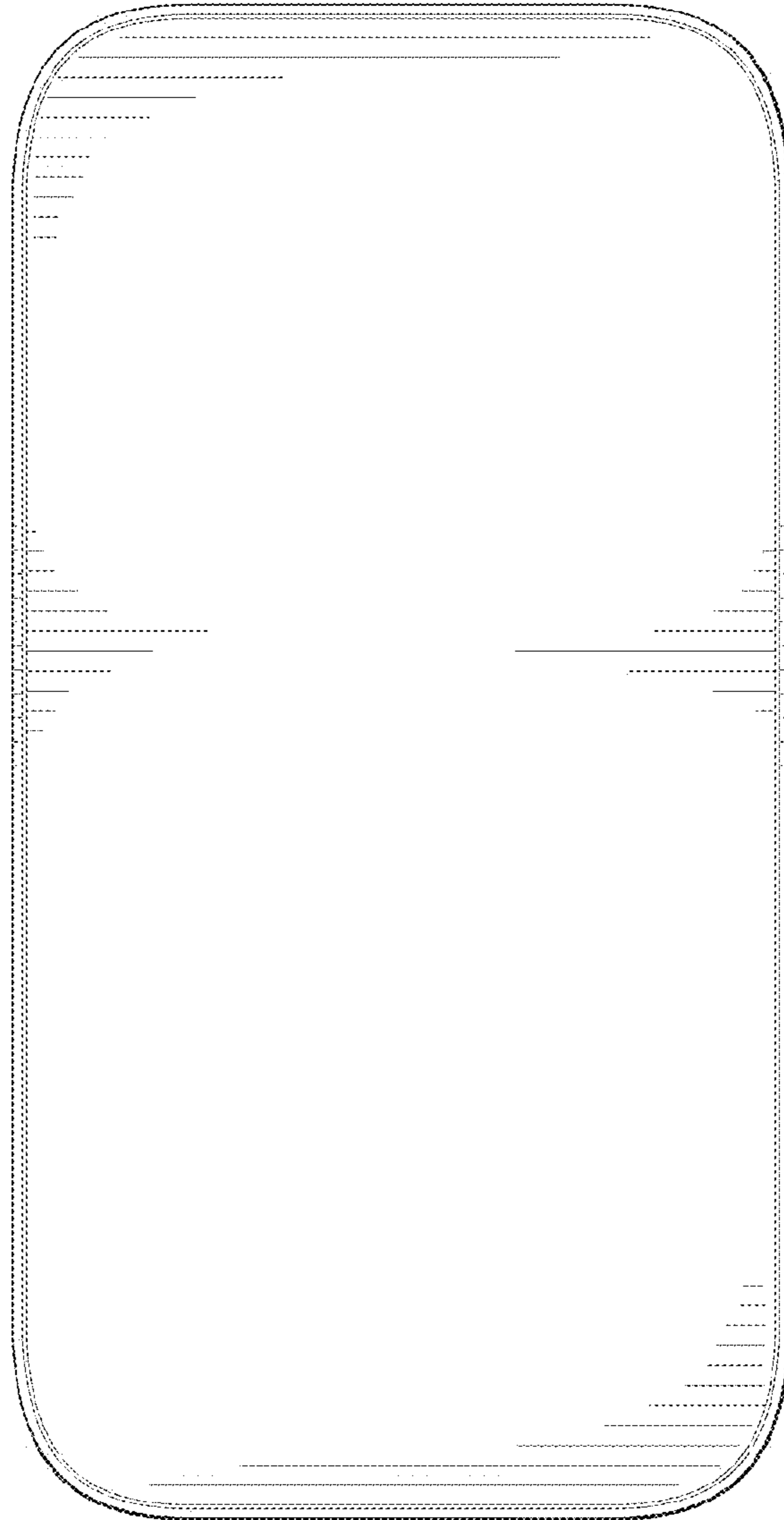


FIG. 3

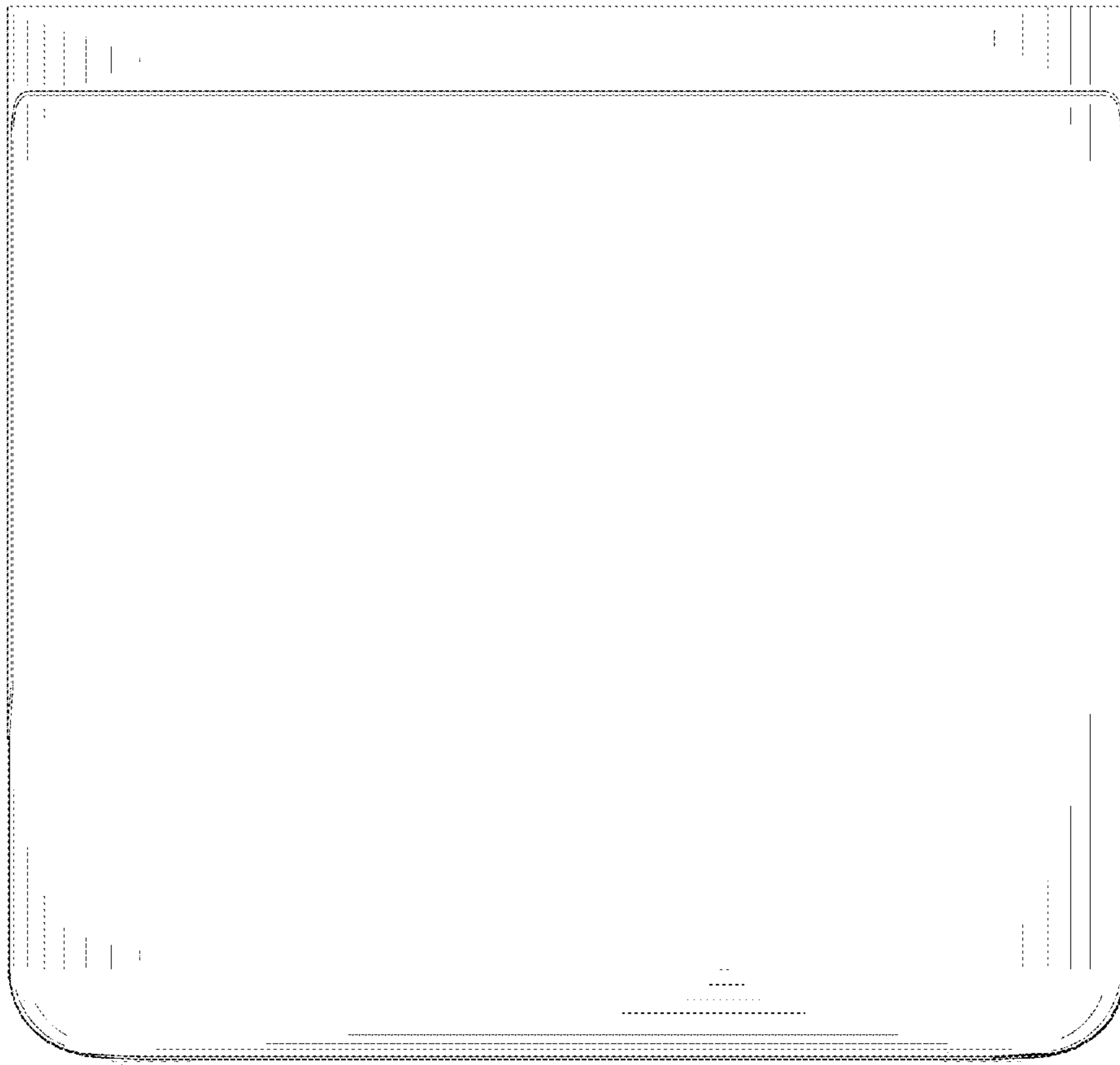


FIG. 4

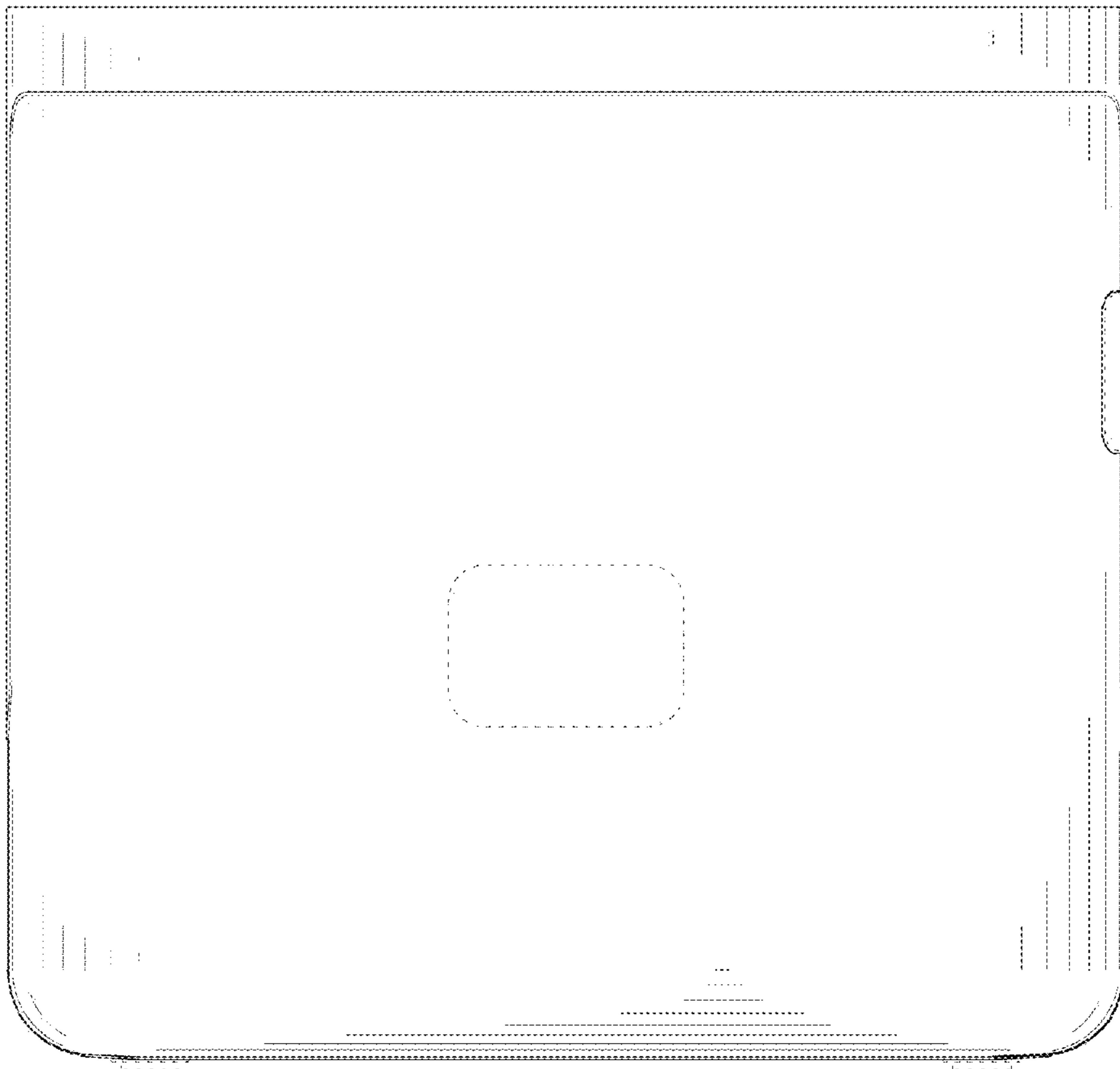


FIG. 5

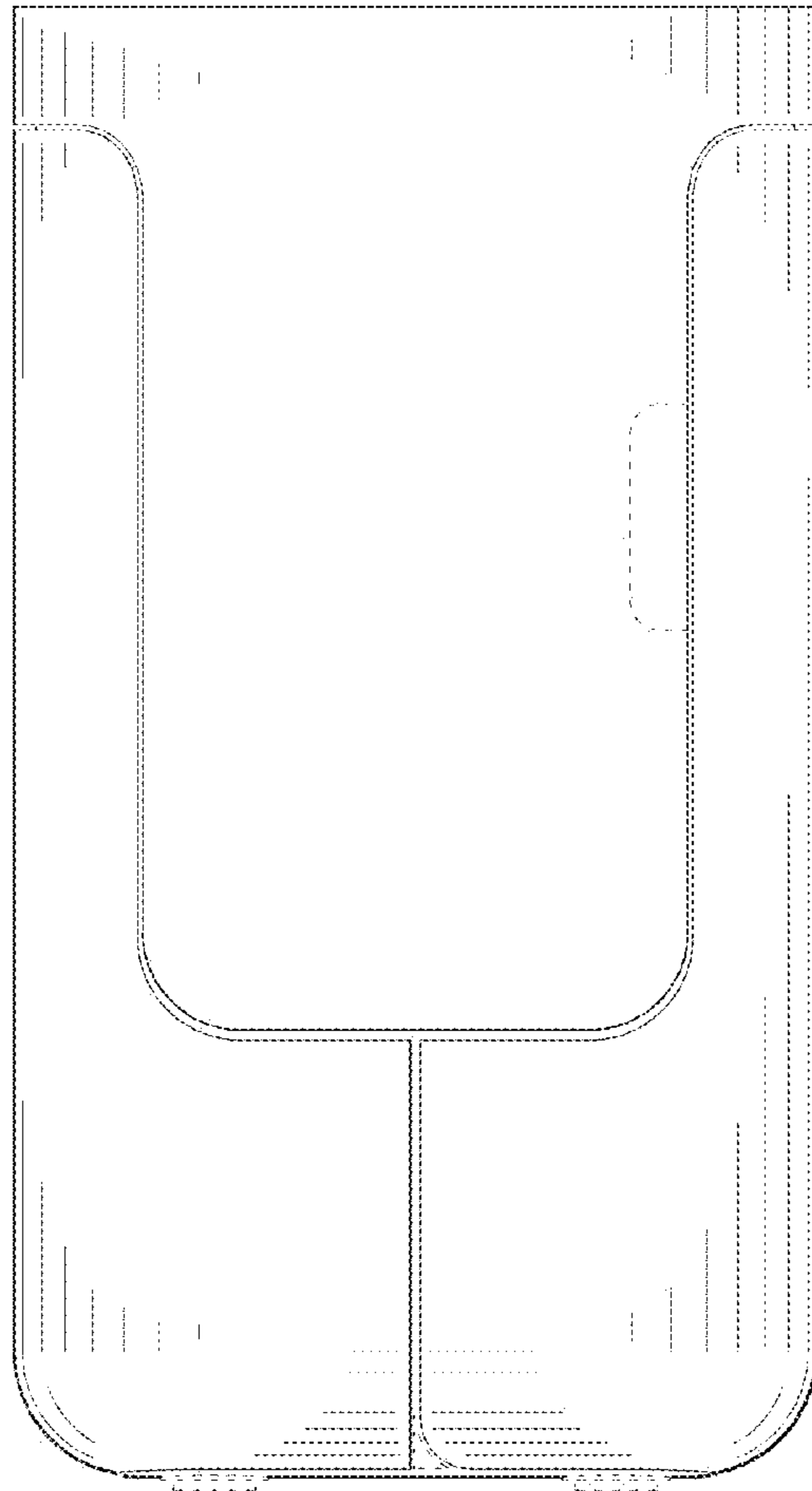


FIG. 6

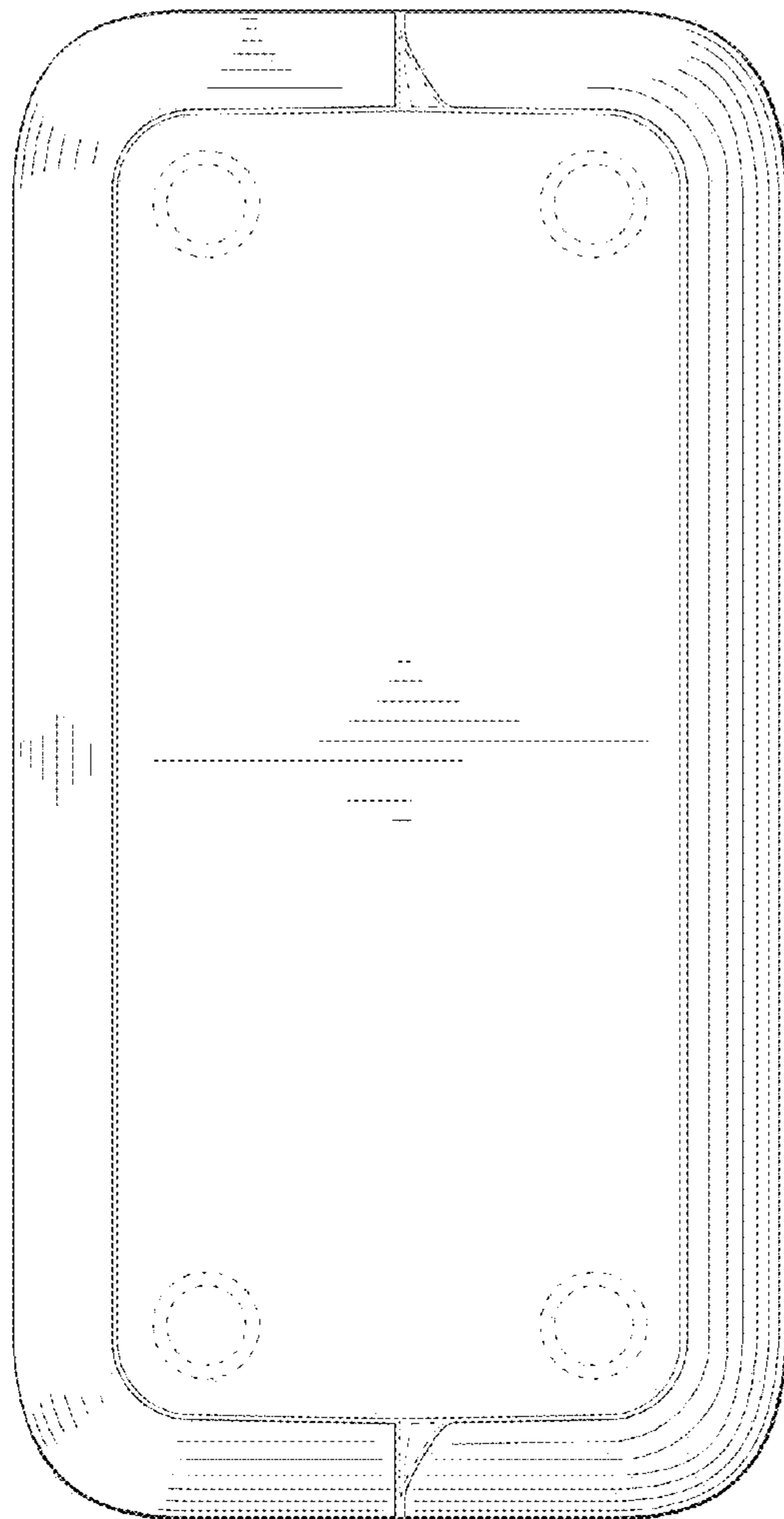


FIG. 7