



US00D715355S

(12) **United States Design Patent**
Otsubo et al.

(10) **Patent No.:** **US D715,355 S**

(45) **Date of Patent:** **** Oct. 14, 2014**

(54) **TONER CARTRIDGE**

(56) **References Cited**

(71) Applicants: **Casio Keisanki Kabushiki Kaisha**,
Tokyo (JP); **Casio Denshikougyou**
Kabushiki kaisha, Iruma (JP)

U.S. PATENT DOCUMENTS

D398,634	S	*	9/1998	Katayama et al.	D18/43
D408,845	S	*	4/1999	Harumoto	D18/43
D469,119	S	*	1/2003	Shiba	D18/43
D477,357	S	*	7/2003	Nakajima et al.	D18/43
D565,647	S	*	4/2008	Sato	D18/50
D582,473	S	*	12/2008	Park et al.	D18/56
D583,862	S	*	12/2008	Park et al.	D18/56
D636,017	S	*	4/2011	Takiguchi et al.	D18/43
2002/0021909	A1	*	2/2002	Harumoto	399/27

(72) Inventors: **Hiroaki Otsubo**, Higashimurayama (JP);
Akihito Akaishi, Hino (JP); **Moriyuki**
Kouroku, Higashimurayama (JP)

* cited by examiner

(73) Assignees: **Casio Keisanki Kabushiki Kaisha**,
Tokyo (JP); **Casio Denshikougyou**
Kabushiki Kaisha, Iruma-shi, Saitama
(JP)

Primary Examiner — Thomas Johannes

Assistant Examiner — Chelsea Sealey

(**) Term: **14 Years**

(74) *Attorney, Agent, or Firm* — Holtz Holtz Goodman &
Chick PC

(21) Appl. No.: **29/464,232**

(22) Filed: **Aug. 14, 2013**

(57) **CLAIM**

The ornamental design for a toner cartridge, as shown and
described.

(30) **Foreign Application Priority Data**

DESCRIPTION

Apr. 26, 2013 (JP) 2013-009648

(51) **LOC (10) Cl.** **16-03**

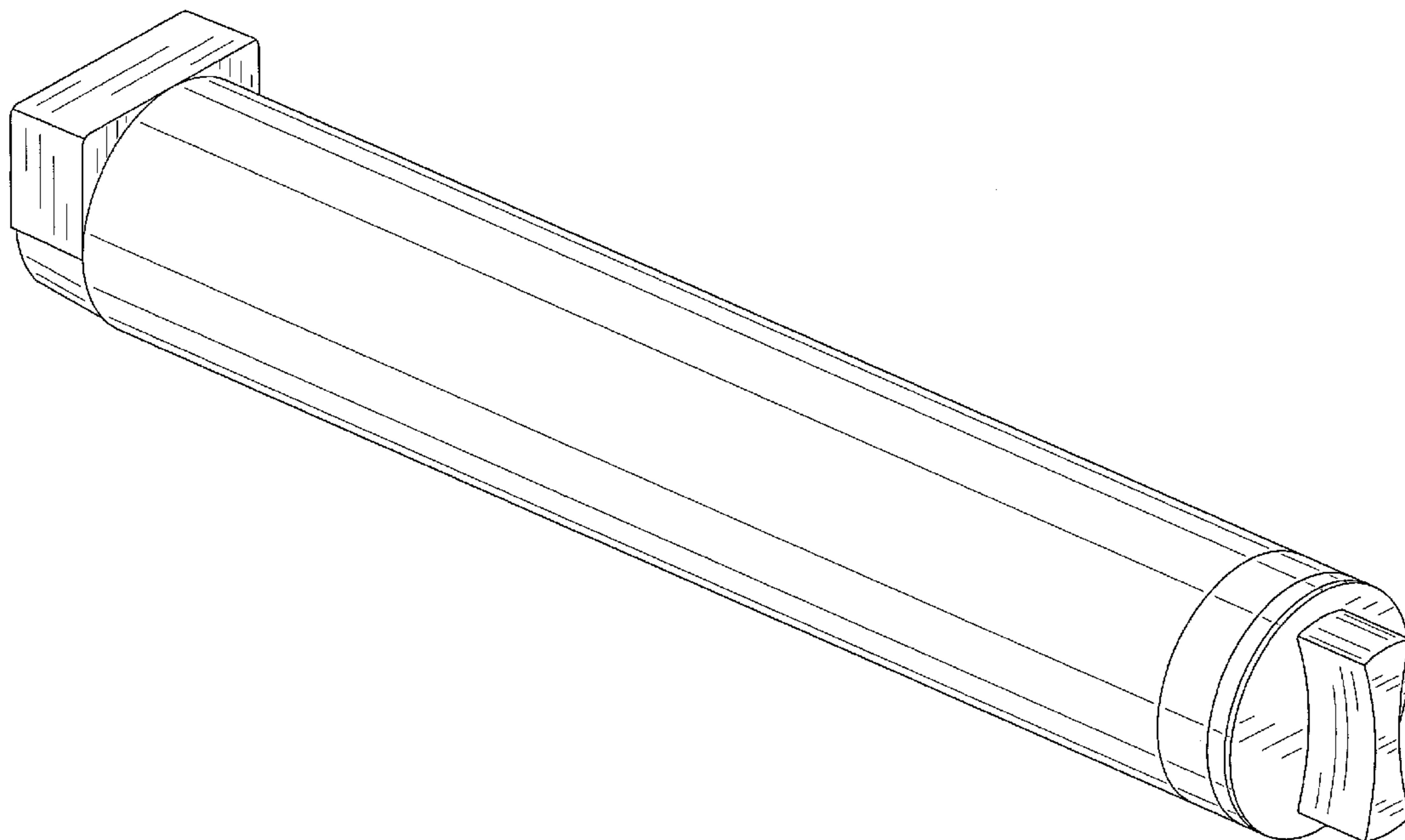
(52) **U.S. Cl.**
USPC **D18/43**

(58) **Field of Classification Search**
CPC G03G 15/0832; G03G 15/5016; G03G
15/50; G03G 2215/0668; B41J 29/393
USPC D18/12, 36, 40, 43, 44, 50, 56;
D14/471; 347/49, 50, 197, 222;
399/11, 106, 119, 120, 230, 258, 262;
222/DIG. 1

FIG. 1 is a front, right side, top perspective view of a toner
cartridge showing our new design;
FIG. 2 is a rear, left side, top perspective view thereof;
FIG. 3 is a front elevation view thereof;
FIG. 4 is a rear elevation view thereof;
FIG. 5 is a left side view thereof;
FIG. 6 is a right side view thereof;
FIG. 7 is a top plan view thereof; and,
FIG. 8 is a bottom plan view thereof.

See application file for complete search history.

1 Claim, 7 Drawing Sheets



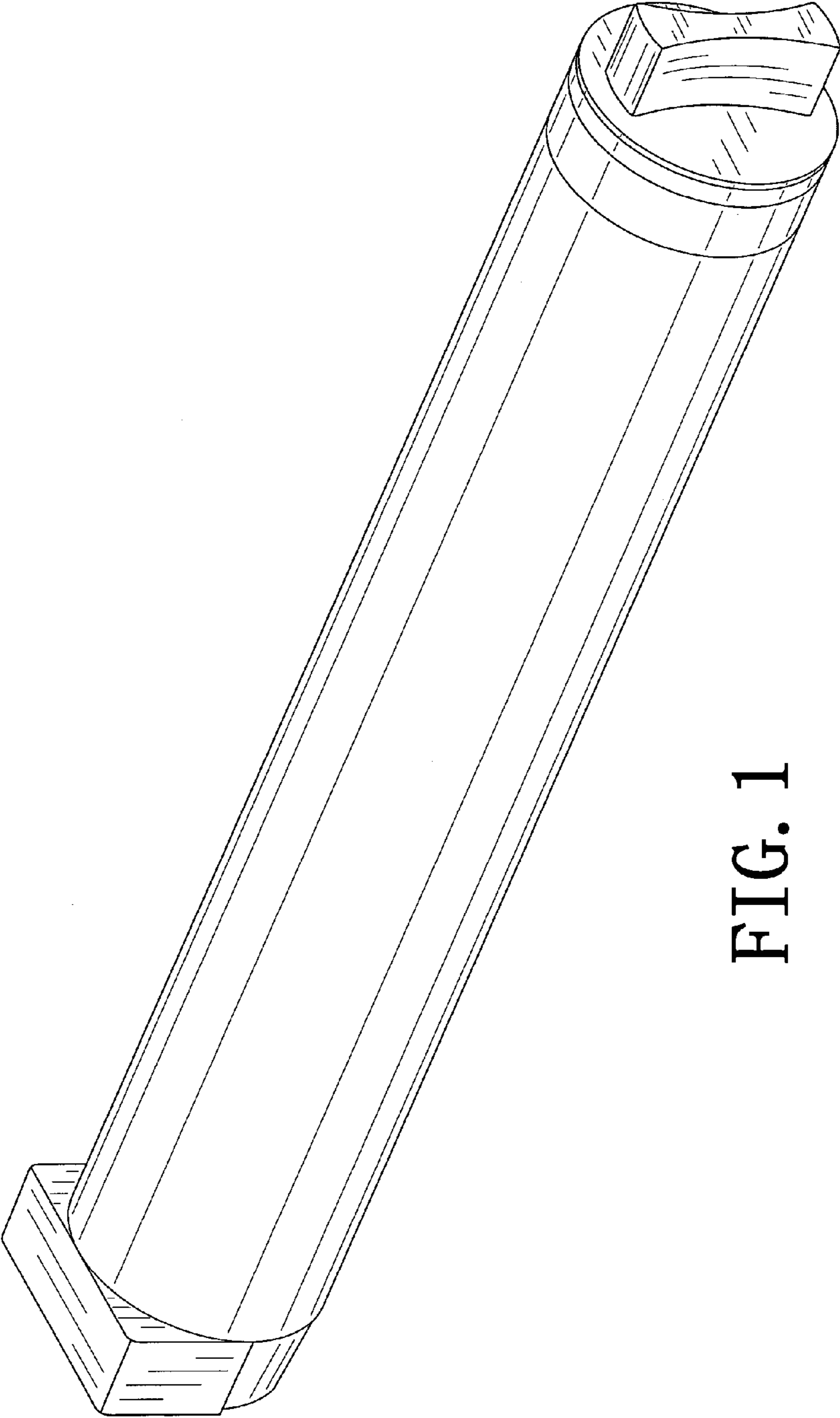


FIG. 1

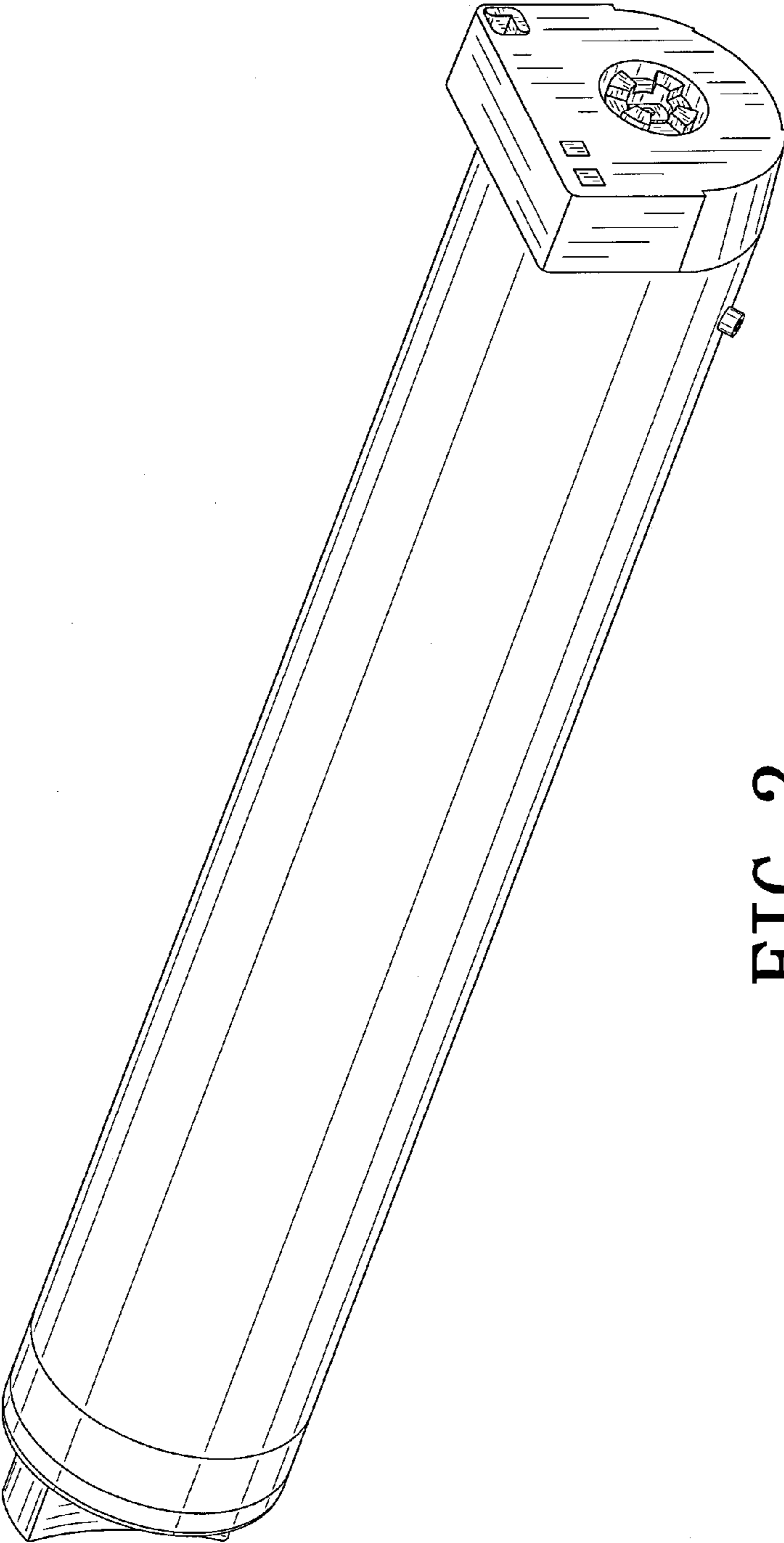


FIG. 2

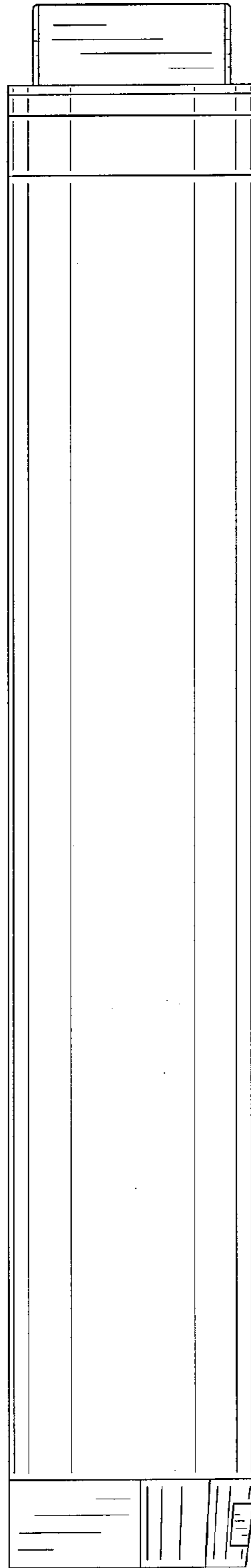


FIG. 3

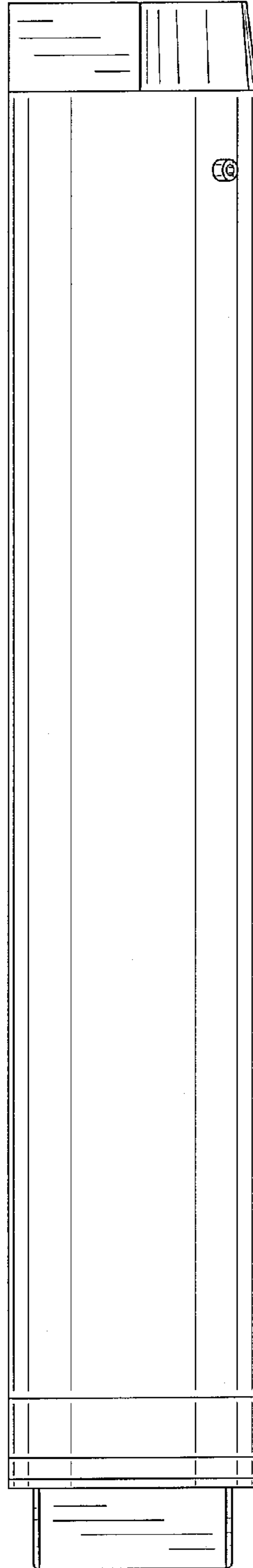


FIG. 4

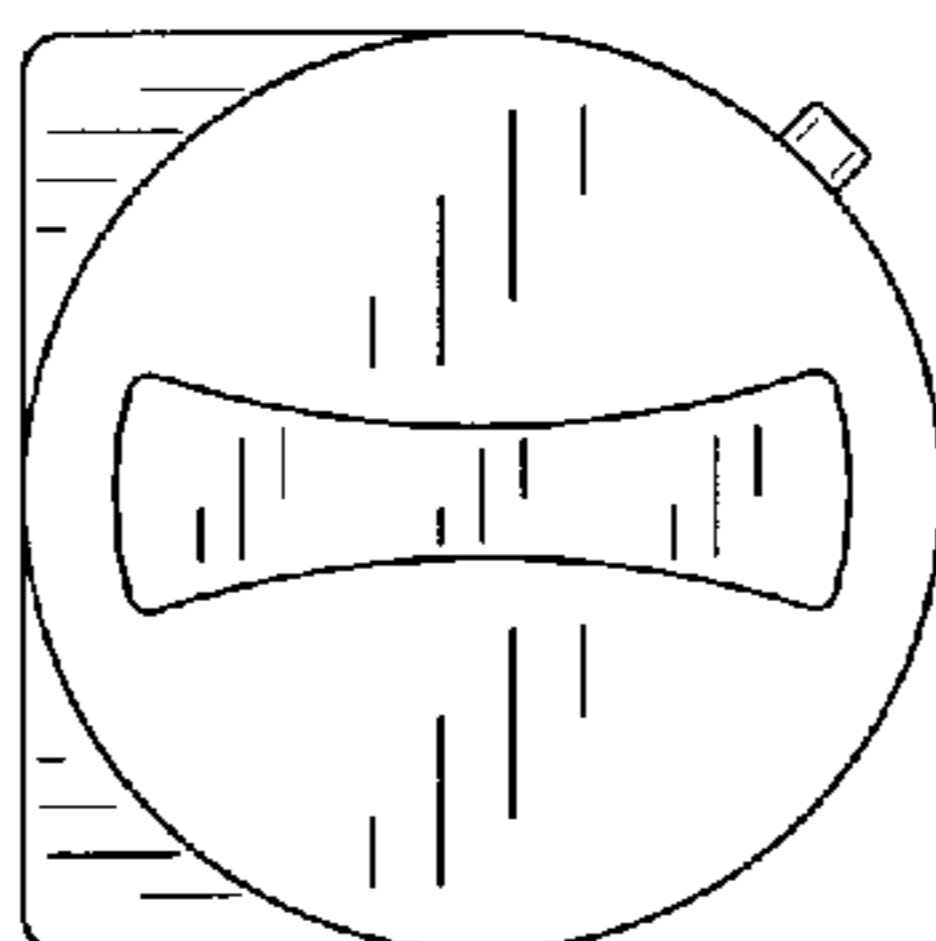


FIG. 6

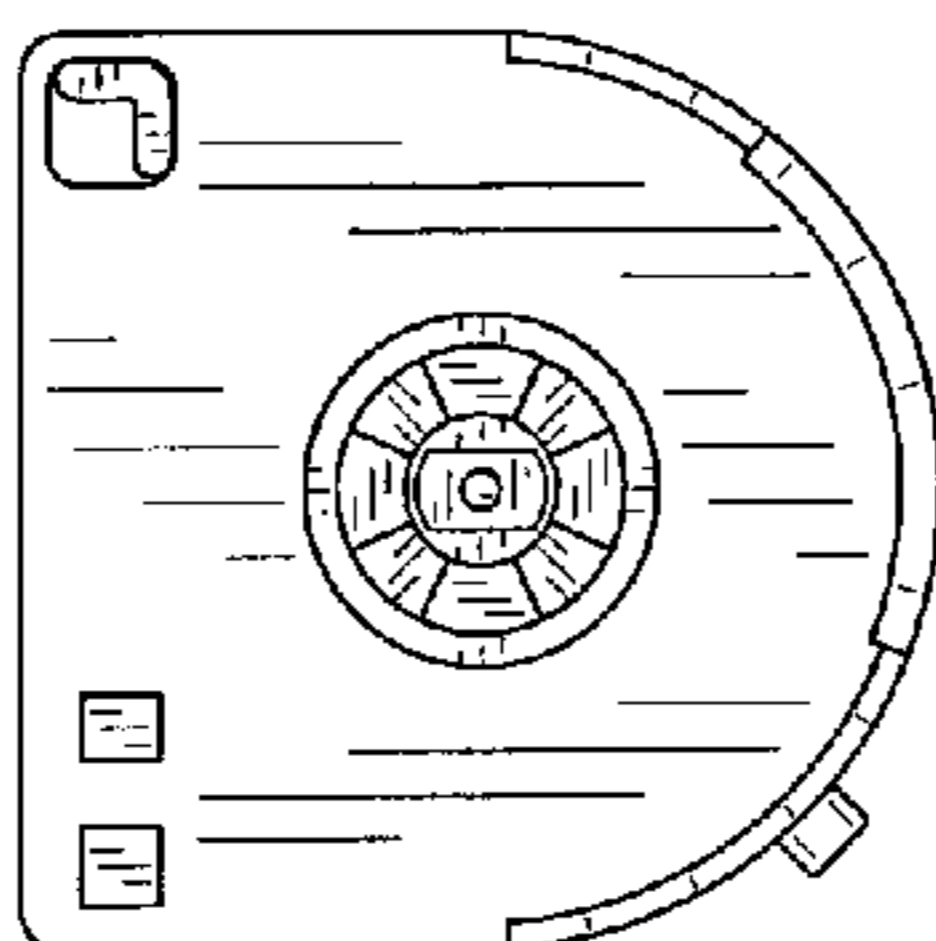


FIG. 5

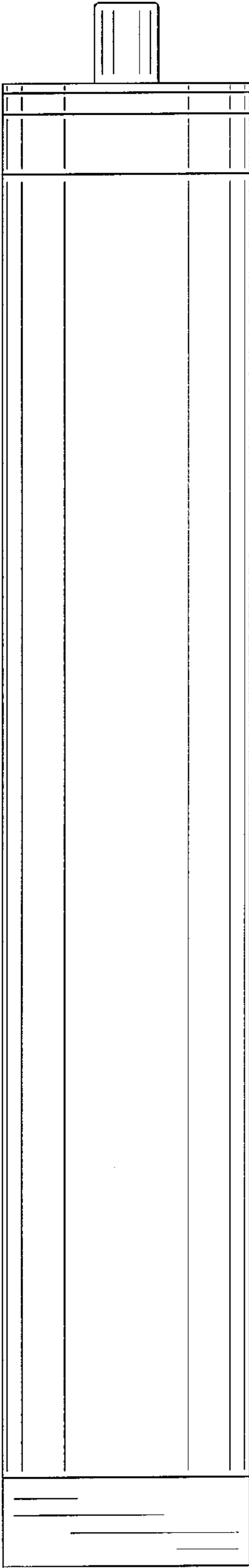


FIG. 7

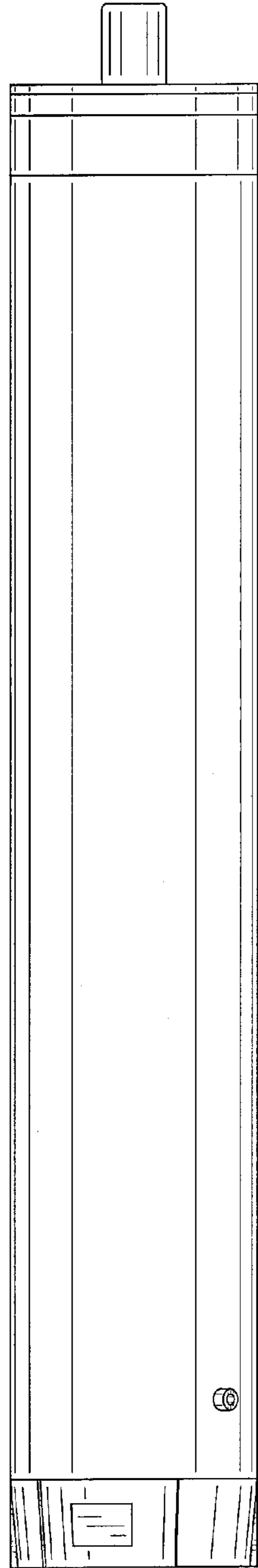


FIG. 8