



US00D715352S

(12) **United States Design Patent**  
**Zhou et al.**

(10) **Patent No.:** **US D715,352 S**  
(45) **Date of Patent:** **\*\* Oct. 14, 2014**

(54) **SHREDDER**

(71) Applicant: **New United Office Equipment,**  
Changzhou (CN)

(72) Inventors: **Licheng Zhou,** Changzhou (CN);  
**Binbin Yu,** Changzhou (CN); **Qing Li,**  
Changzhou (CN); **Haiting Chen,** Suzhou  
(CN); **Ziqiang Ding,** Changzhou (CN)

(73) Assignee: **New United Office Equipment,**  
Changzhou (CN)

(\*\*) Term: **14 Years**

(21) Appl. No.: **29/444,025**

(22) Filed: **Jan. 25, 2013**

(51) **LOC (10) Cl.** ..... **18-04**

(52) **U.S. Cl.**  
USPC ..... **D18/34.5**

(58) **Field of Classification Search**  
CPC ..... B02C 18/00; B02C 18/0007; B02C  
2018/164; B02C 2018/168; B02C 2018/0015  
USPC ..... D18/34.3, 34.4, 34.5, 34.6, 34.9;  
D23/356, 359, 360, 364; 241/100, 236,  
241/30, 36

See application file for complete search history.

(56) **References Cited**

**U.S. PATENT DOCUMENTS**

D477,016	S	*	7/2003	Lee	.....	D18/34.6
D502,961	S	*	3/2005	Lo	.....	D18/34.6
D532,444	S	*	11/2006	Kao et al.	.....	D18/34.4
D611,525	S	*	3/2010	Sued et al.	.....	D18/34.5
8,146,845	B2	*	4/2012	Chen	.....	241/100
D679,319	S	*	4/2013	Romanovich	.....	D18/34.5
D705,858	S	*	5/2014	Zhou et al.	.....	D18/34.5
D705,859	S	*	5/2014	Zhou et al.	.....	D18/34.5
2002/0100827	A1	*	8/2002	Ho	.....	241/100
2007/0034723	A1	*	2/2007	Joachim et al.	.....	241/100

2008/0210794	A1	*	9/2008	Schwelling et al.	.....	241/225
2010/0044484	A1	*	2/2010	Chen	.....	241/101.5
2010/0181398	A1	*	7/2010	Davis et al.	.....	241/36

\* cited by examiner

*Primary Examiner* — Bridget L Eland

(74) *Attorney, Agent, or Firm* — Lowe Graham Jones PLLC

(57) **CLAIM**

We claim the ornamental design for a shredder, as shown and described.

**DESCRIPTION**

FIG. 1 is a front isometric view of the shredder, showing my new design;

FIG. 2 is a front-elevational view of the shredder;

FIG. 3 is a rear-elevational view of the shredder;

FIG. 4 is a left side-elevational view of the shredder;

FIG. 5 is a right side-elevational view of the shredder;

FIG. 6 is a top view of the shredder;

FIG. 7 is a bottom view of the shredder;

FIG. 8 is a front isometric view of the shredder in an open configuration;

FIG. 9 is a front-elevational view of the shredder in an open configuration;

FIG. 10 is a rear-elevational view of the shredder in an open configuration;

FIG. 11 is a left side-elevational view of the shredder in an open configuration;

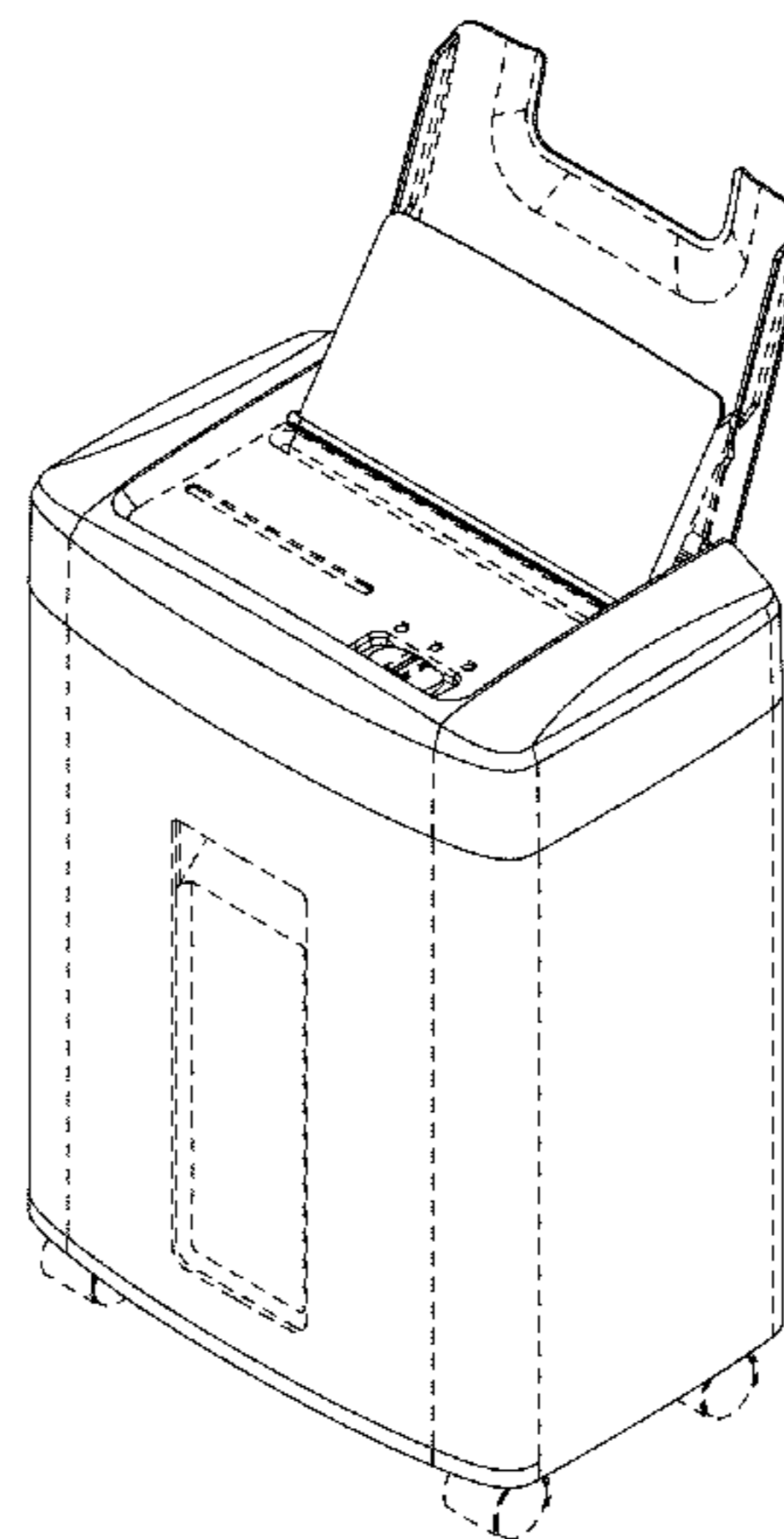
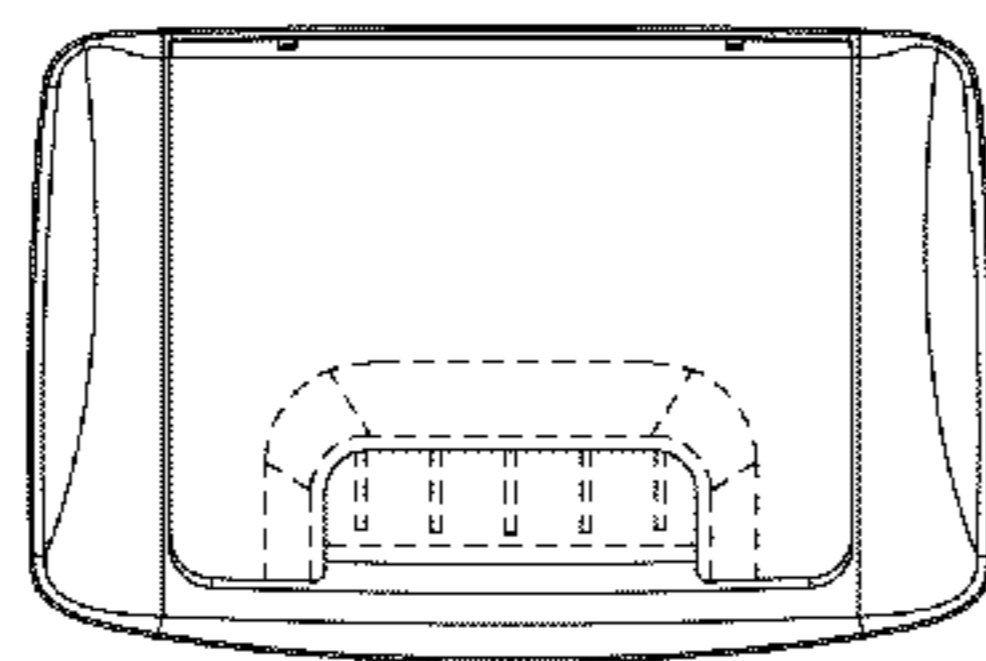
FIG. 12 is a right side-elevational view of the shredder in an open configuration;

FIG. 13 is a top view of the shredder in an open configuration; and,

FIG. 14 is a bottom view of the shredder in an open configuration.

All broken lines are directed to environment and are for illustrative purposes only; the broken lines form no part of the claimed design.

**1 Claim, 12 Drawing Sheets**



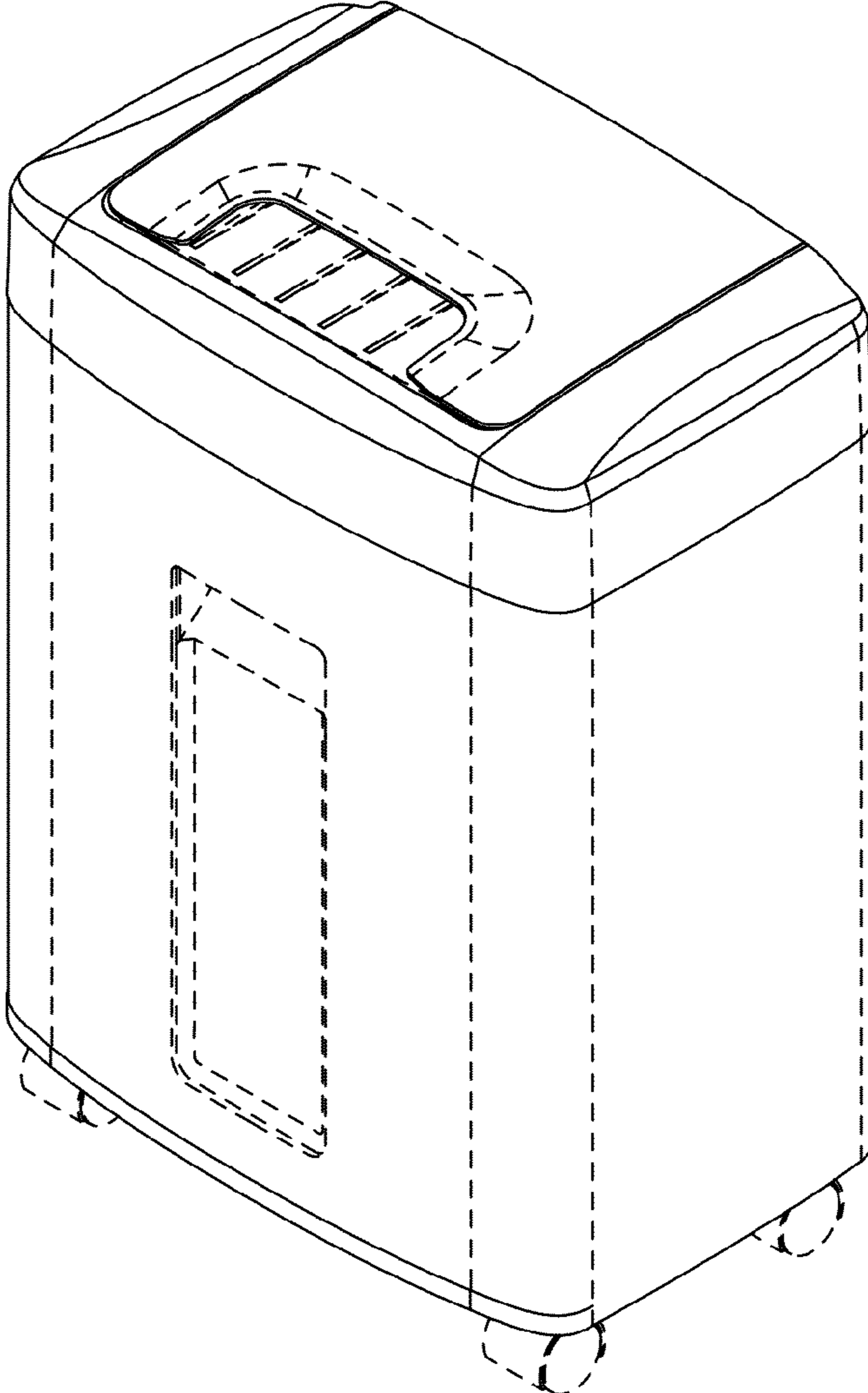


FIGURE1

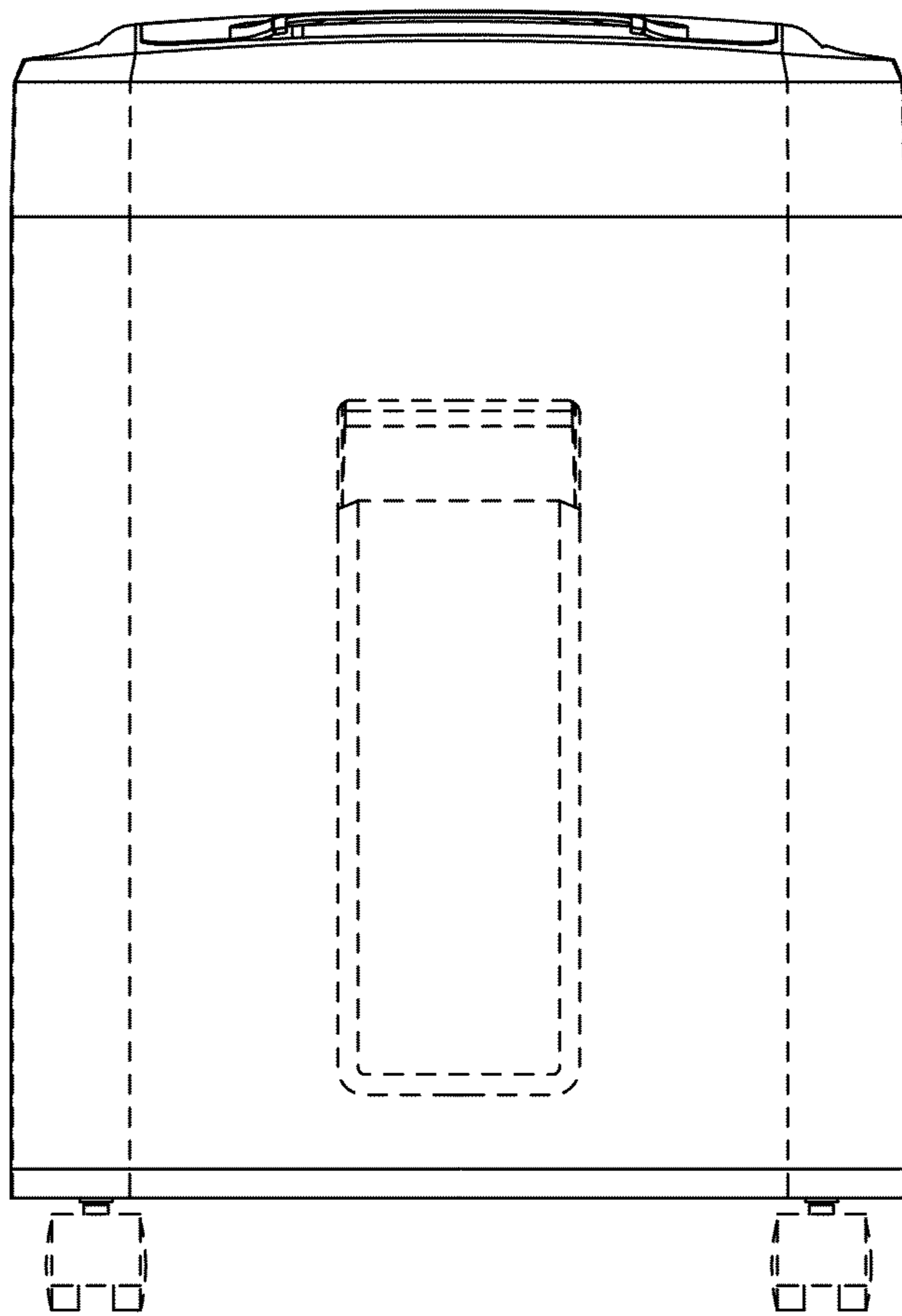


FIGURE 2

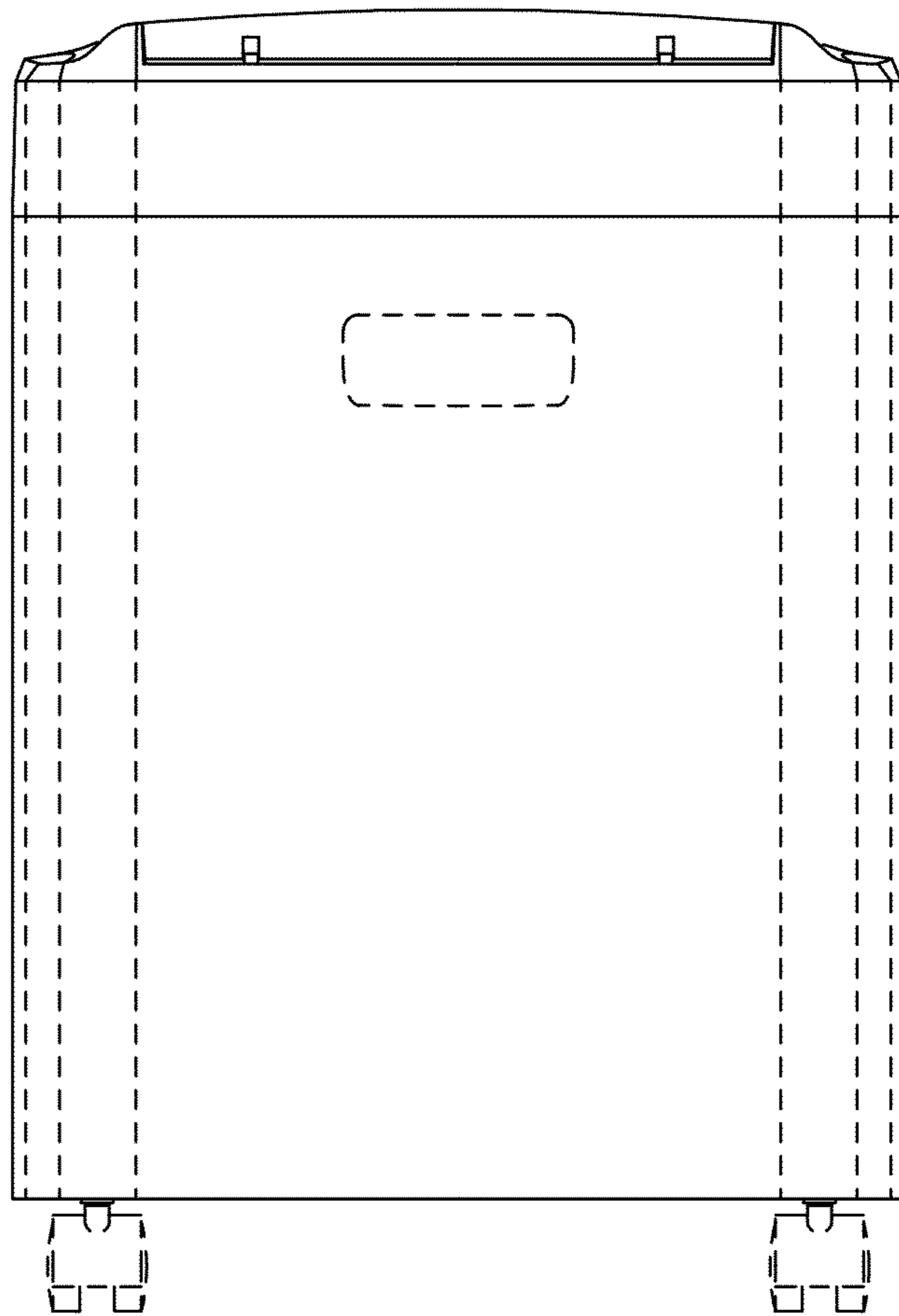


FIGURE 3

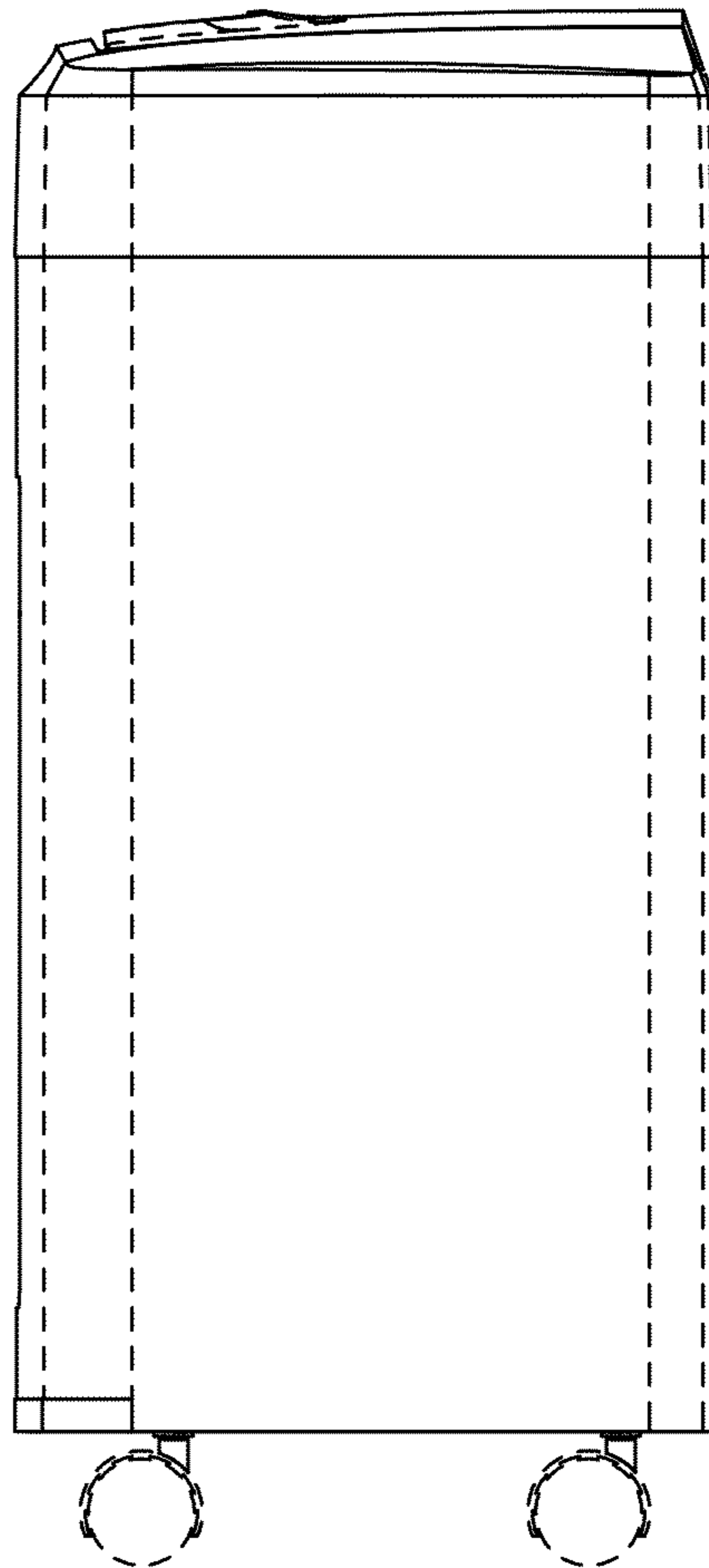


FIGURE 4

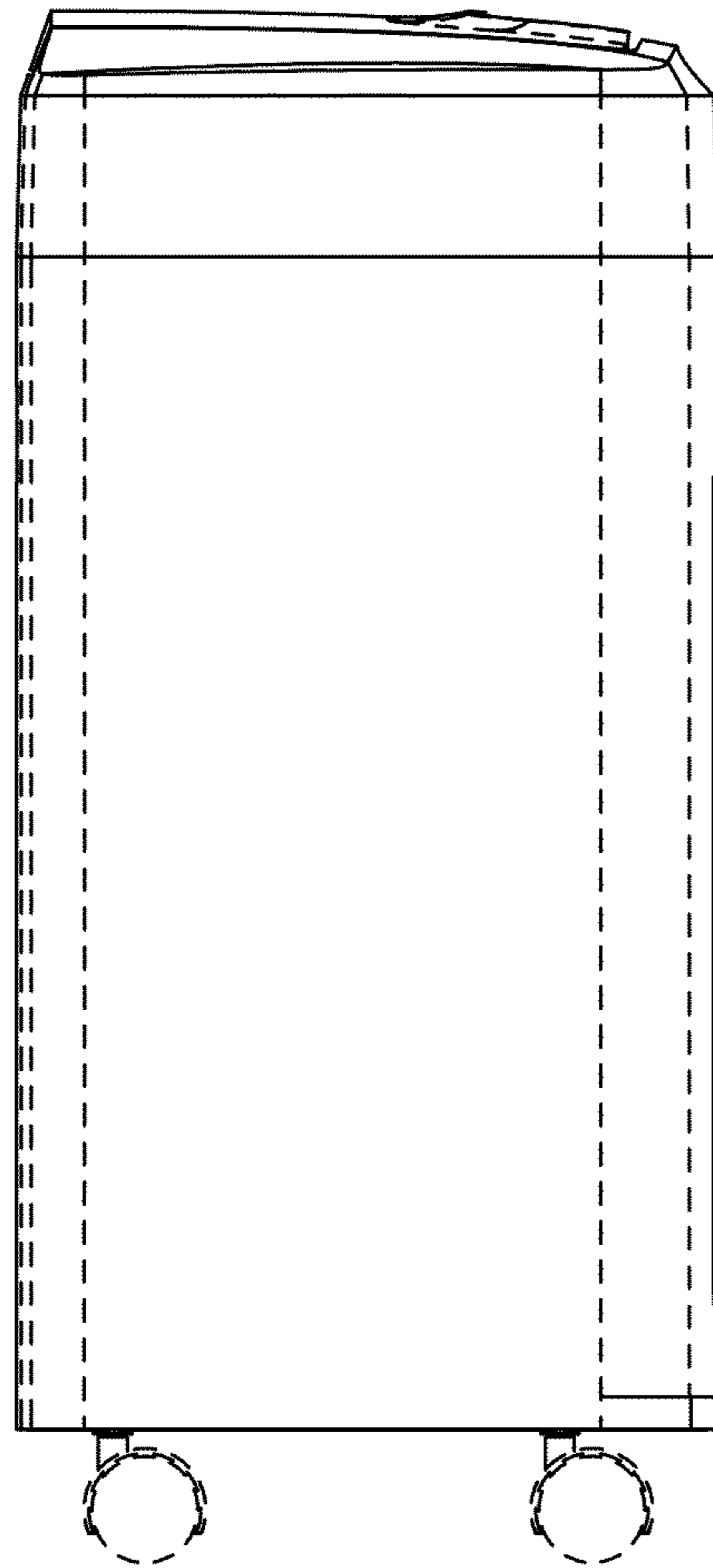


FIGURE 5

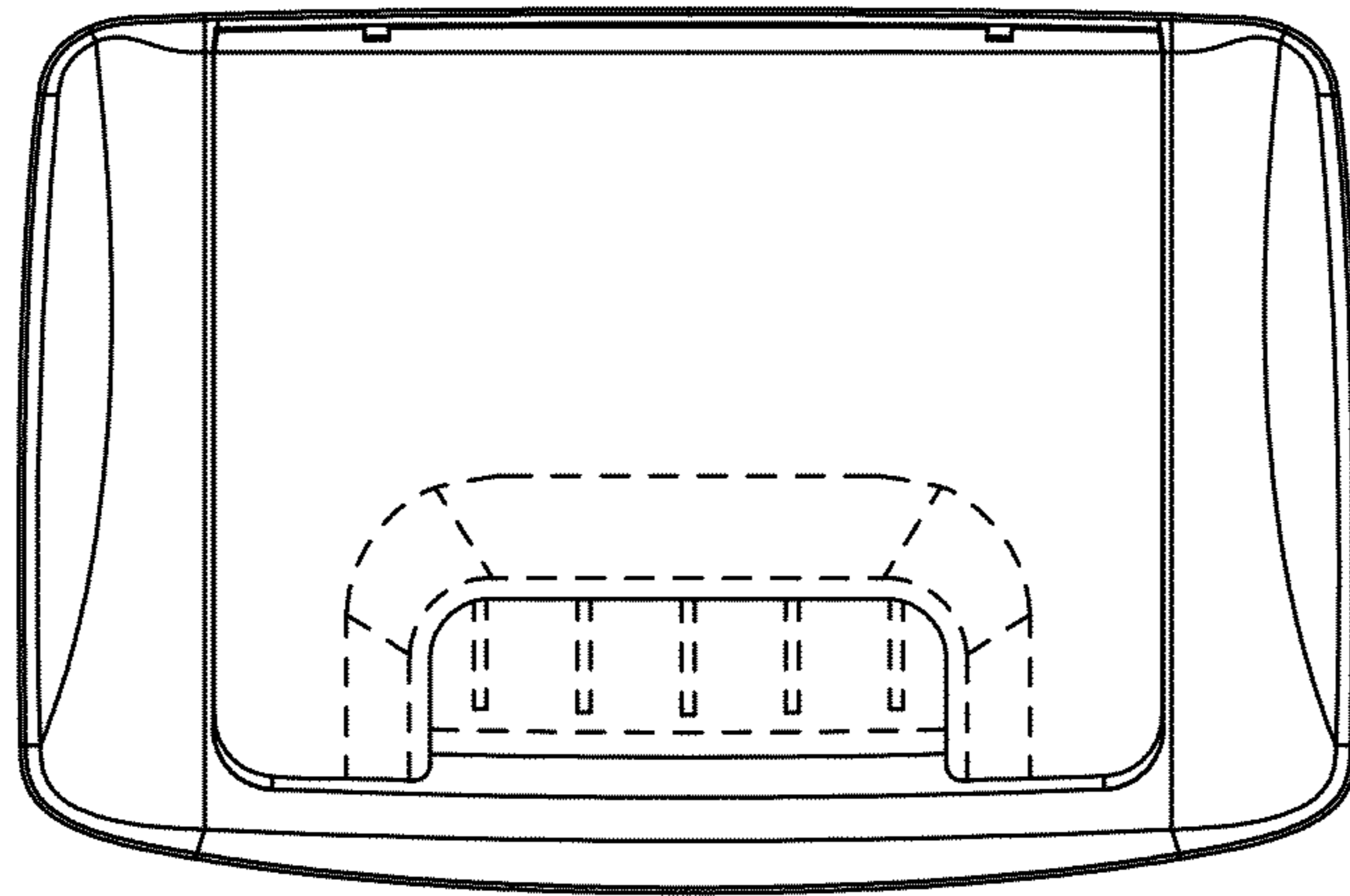


FIGURE 6

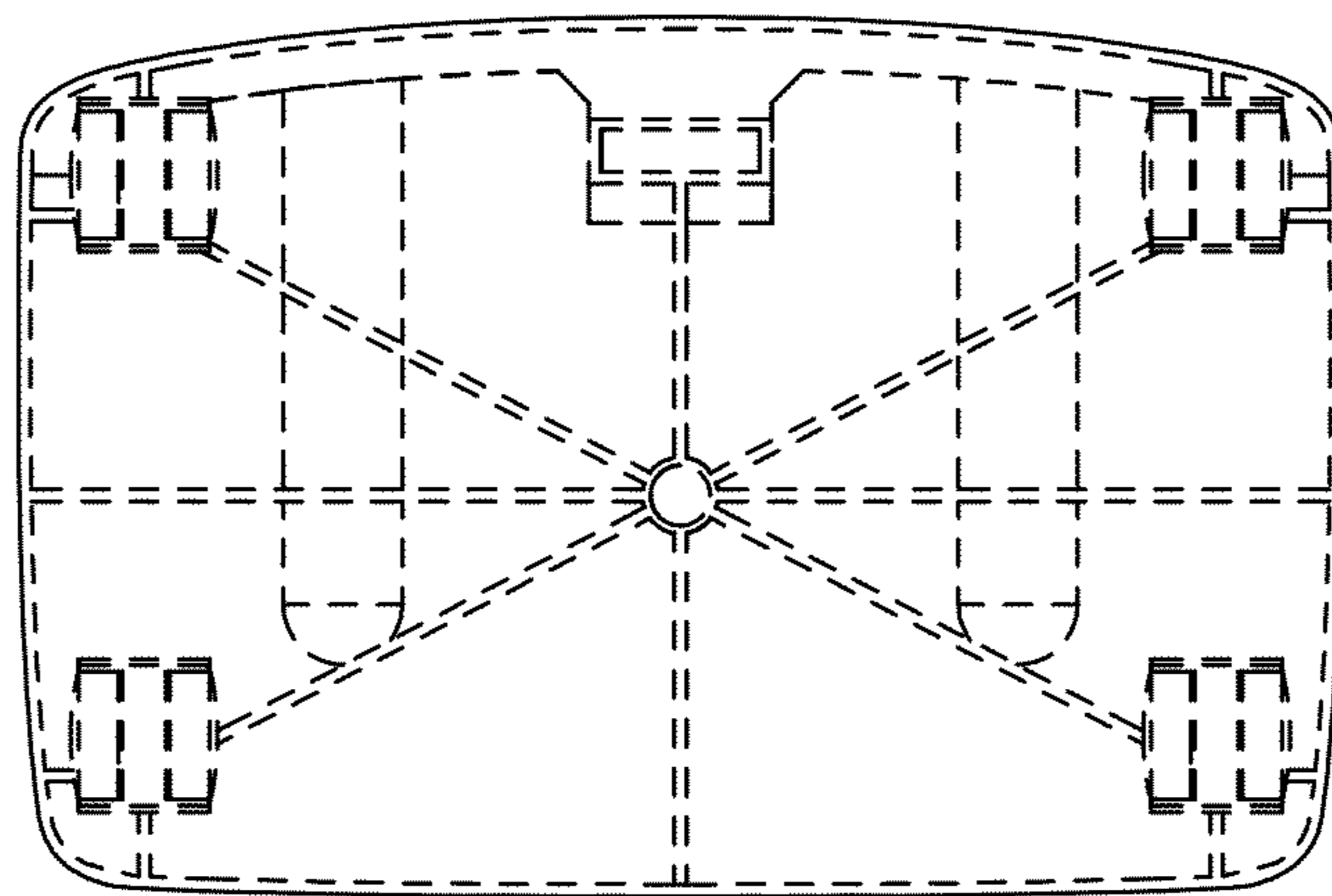


FIGURE 7

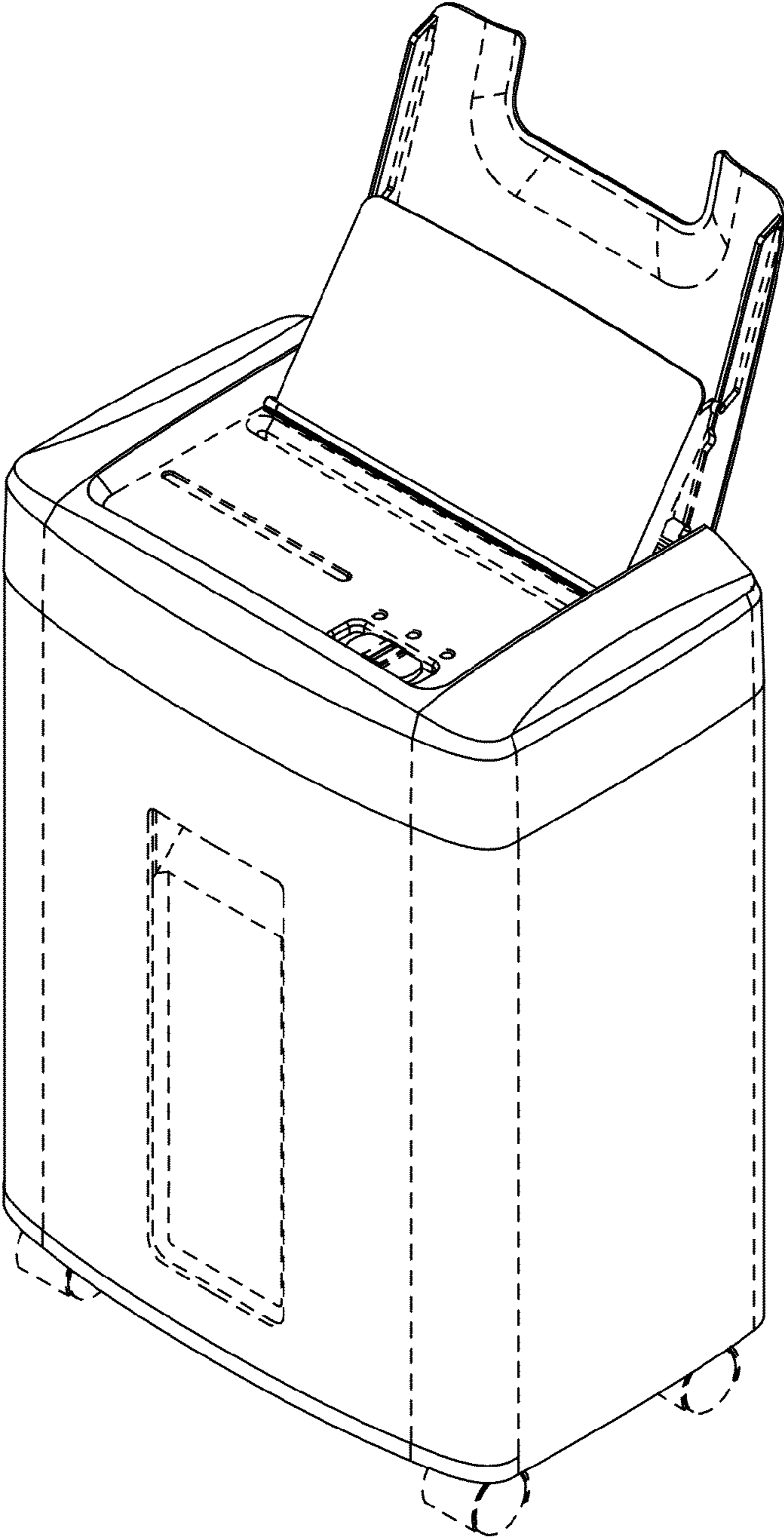


FIGURE 8



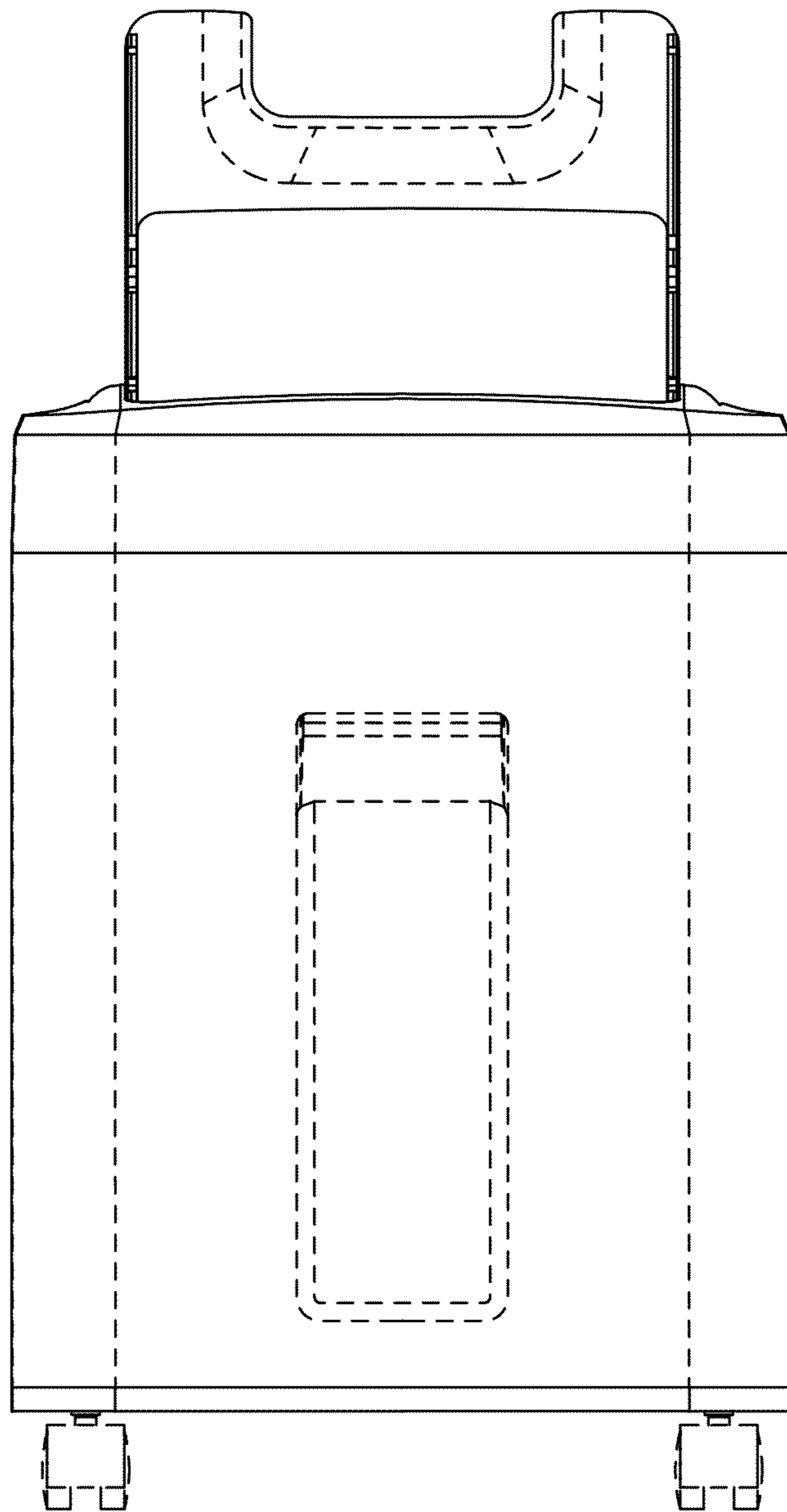


FIGURE9

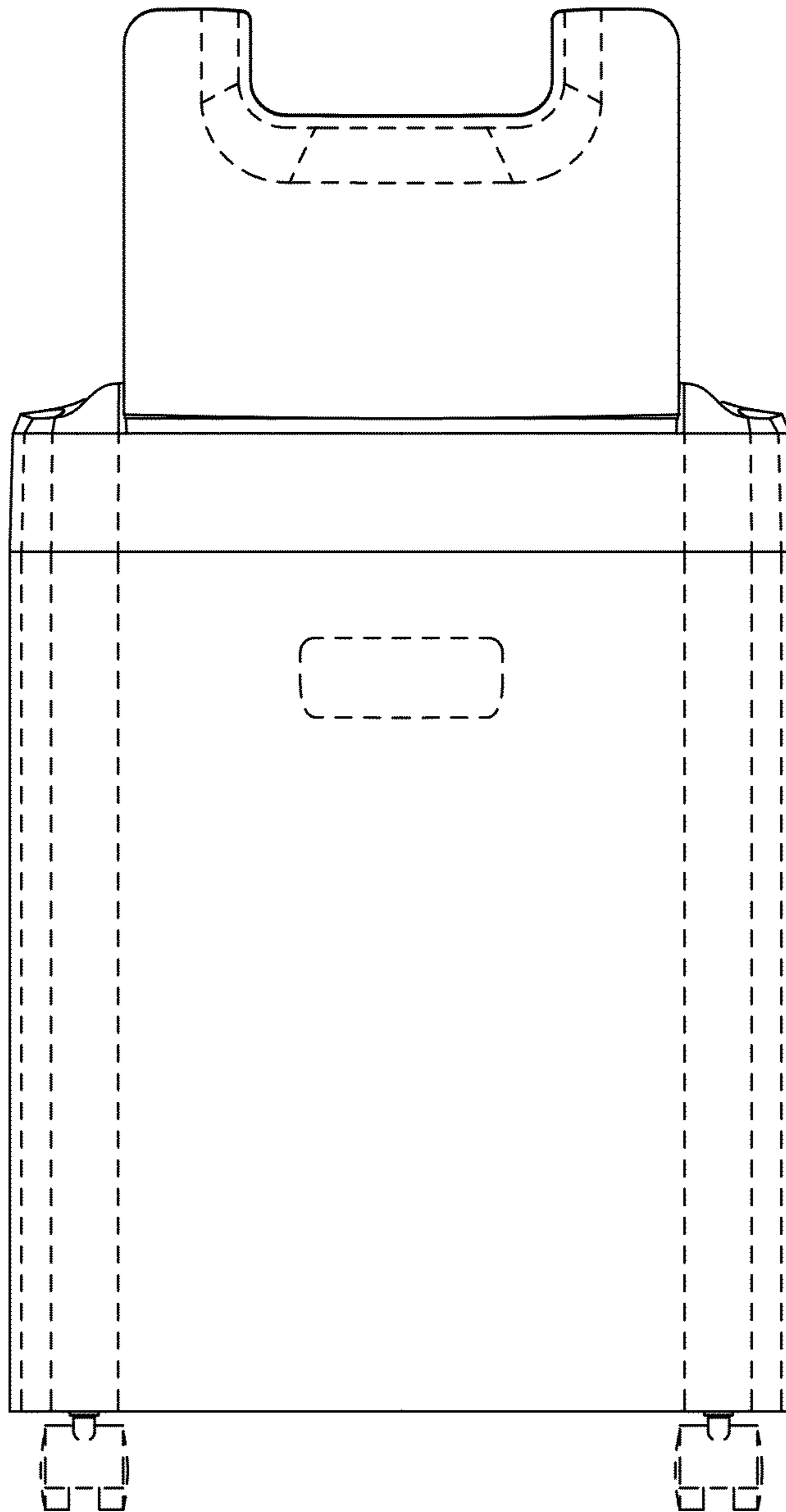


FIGURE10

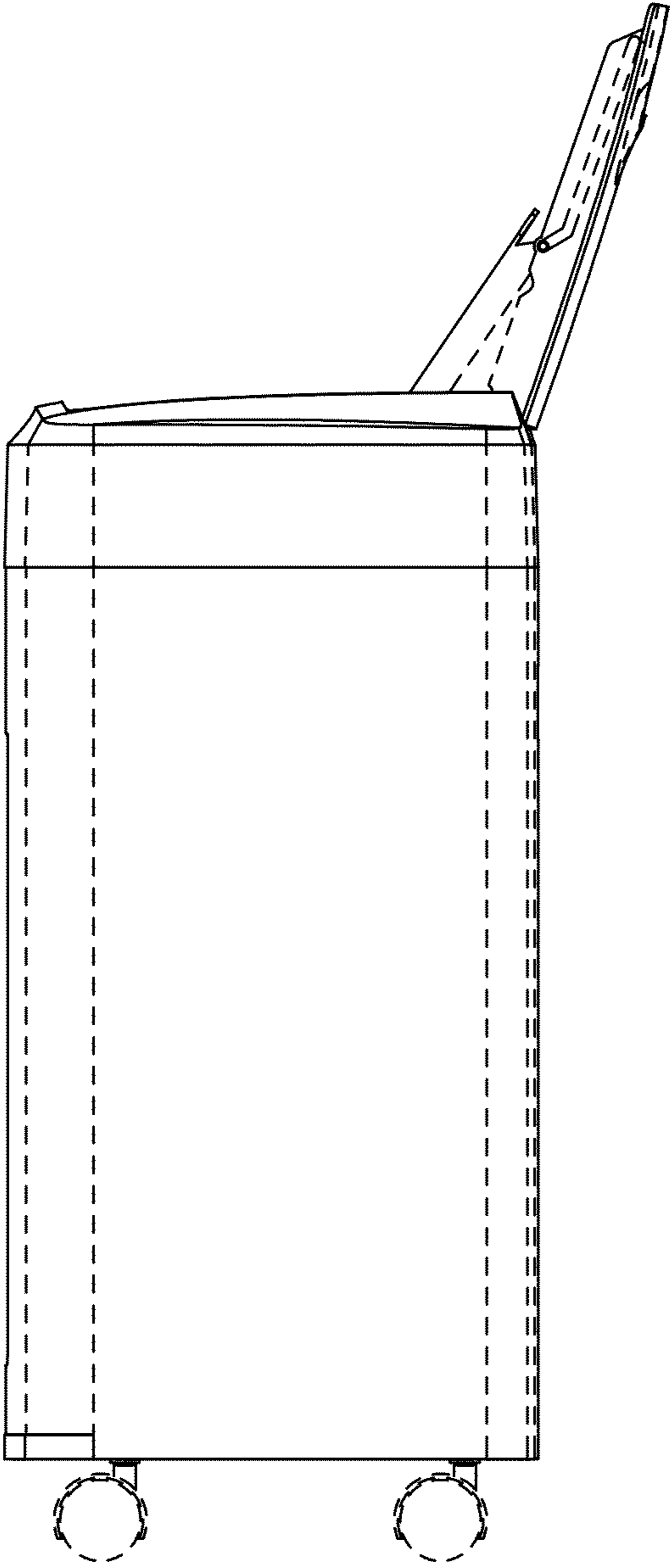


FIGURE 11

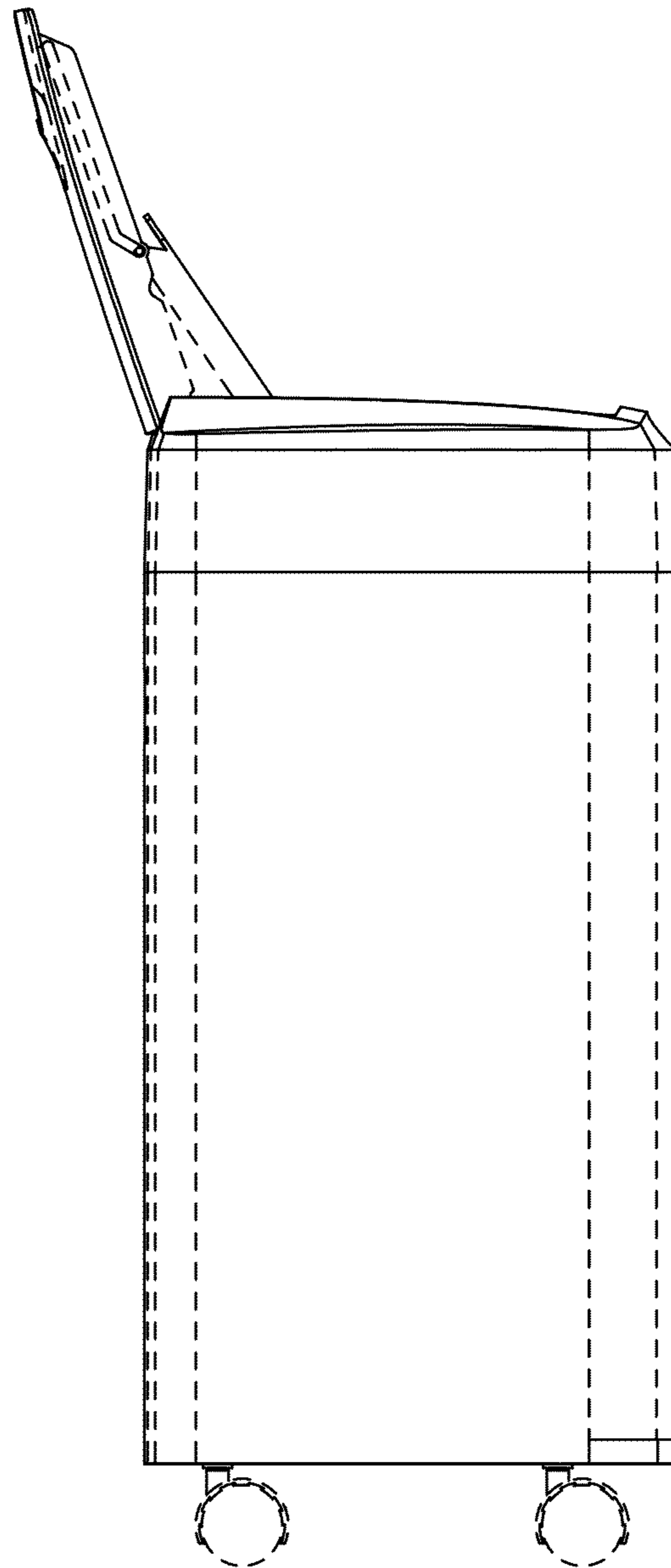


FIGURE 12

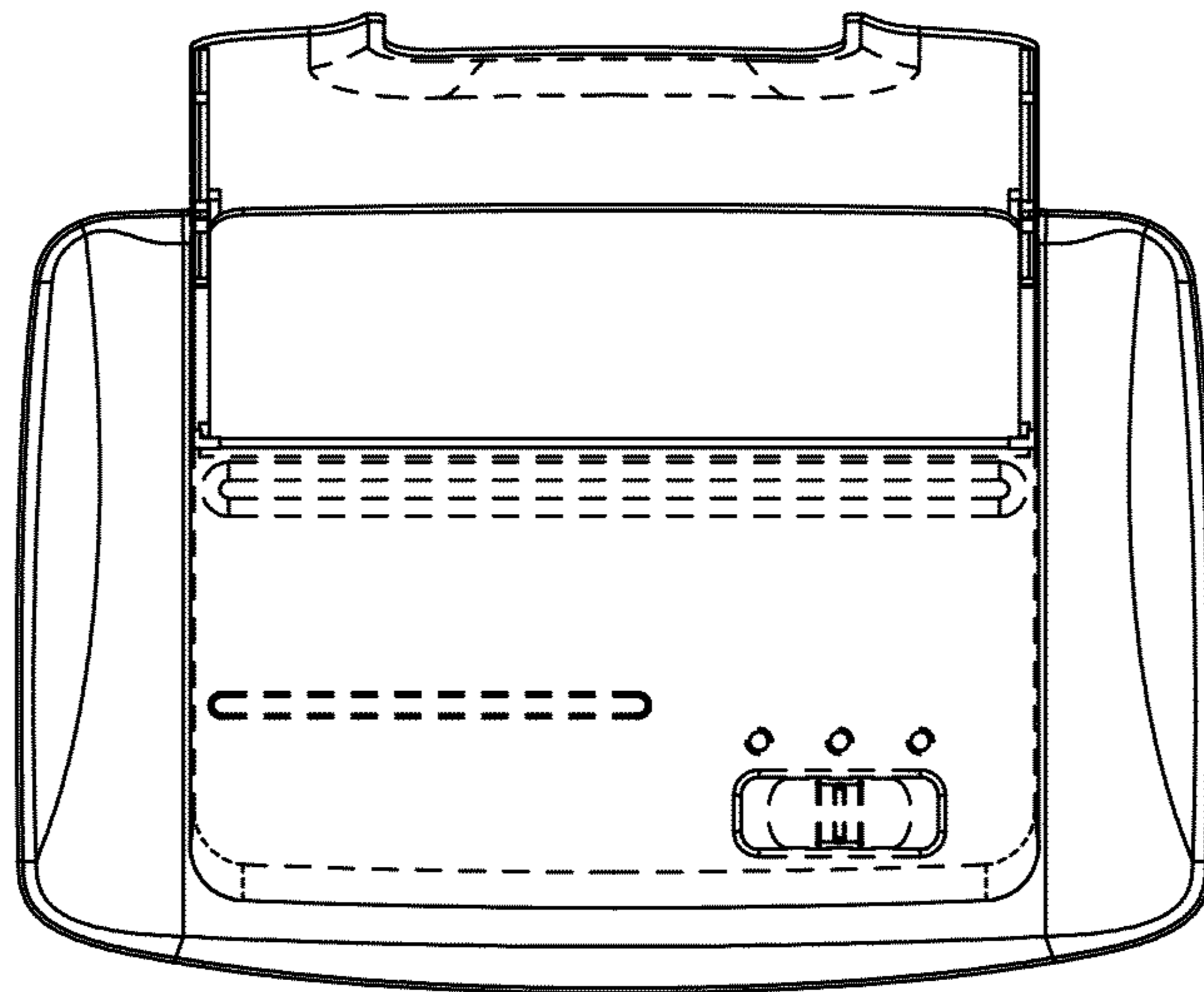


FIGURE 13

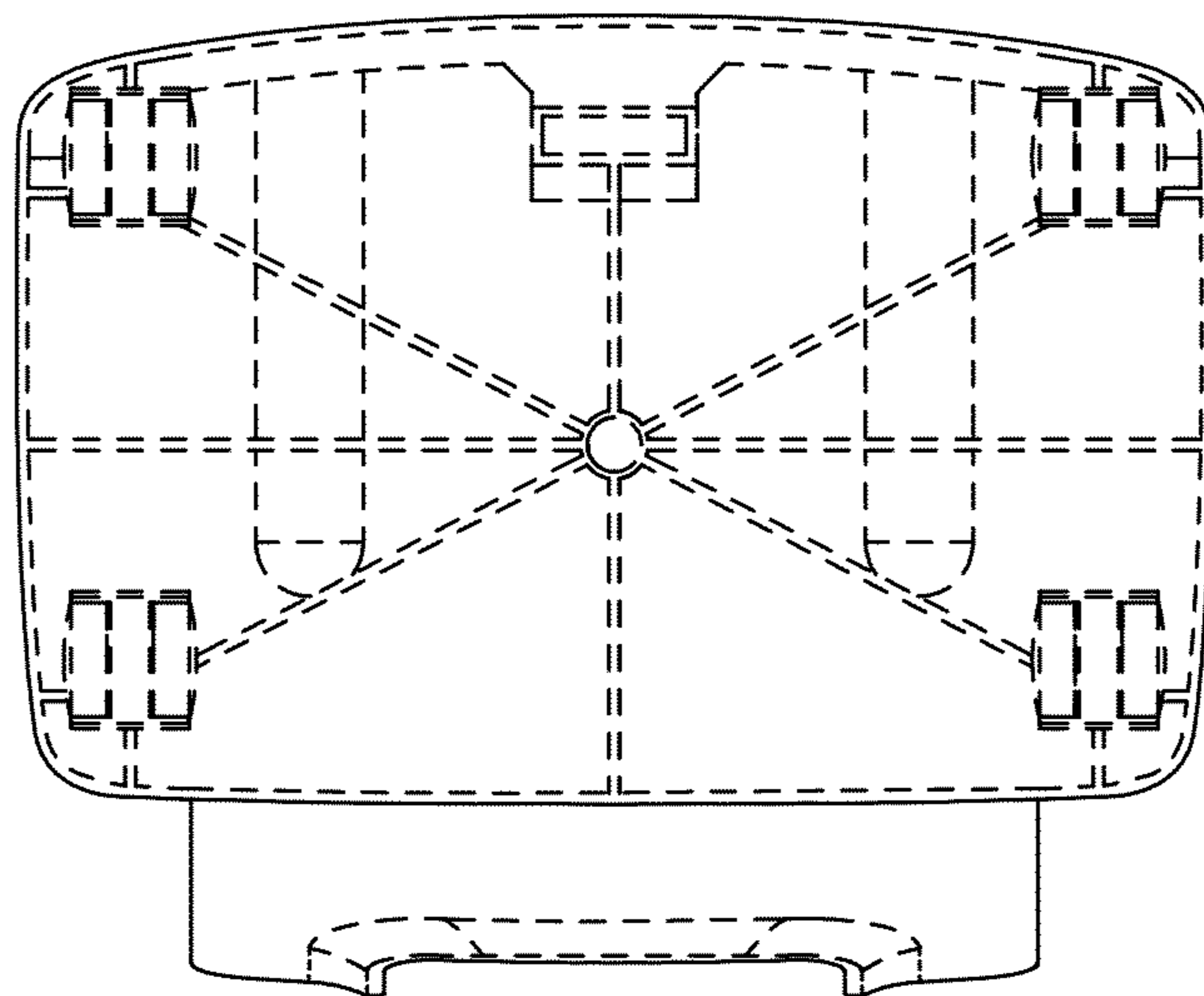


FIGURE 14