



US00D715349S

(12) **United States Design Patent**
Boerup

(10) **Patent No.:** **US D715,349 S**

(45) **Date of Patent:** **** Oct. 14, 2014**

(54) **CAMERA ACCESSORY MOUNTING DEVICE**

(71) Applicant: **Spencer Boerup**, Tucson, AZ (US)

(72) Inventor: **Spencer Boerup**, Tucson, AZ (US)

(73) Assignee: **Spencer Boerup**, Tucson, AZ (US)

(**) Term: **14 Years**

(21) Appl. No.: **29/477,997**

(22) Filed: **Dec. 30, 2013**

(51) **LOC (10) Cl.** **16-05**

(52) **U.S. Cl.**
USPC **D16/237**

(58) **Field of Classification Search**
CPC G03B 15/041-15/0436; G03B
17/561-17/568; G03B 21/20-21/2066
USPC D16/205, 211, 214, 218-220, 237-250,
D16/302, 303; D19/9-10; D14/448-450;
D8/354, 394-396

See application file for complete search history.

(56) **References Cited**

U.S. PATENT DOCUMENTS

4,109,301	A *	8/1978	Wakimura	362/7
4,190,880	A *	2/1980	Esaki	362/18
4,380,787	A *	4/1983	Stone	362/16
4,539,624	A *	9/1985	Stone	362/16
D578,151	S *	10/2008	Fong	D16/237
7,670,032	B2 *	3/2010	Lau	362/322

FOREIGN PATENT DOCUMENTS

EP	2542939	A2	1/2013
GB	2448508		10/2008
WO	WO 2012038726	A1	3/2012

OTHER PUBLICATIONS

MagGrip. [online] Retrieved Jul. 21, 2014 from URL: <http://magnetmod.com/shop/maggrip/>.*

Lastolite Strobot Kit—Pro Direct To Flashgun Mount. [online] Retrieved Jul. 23, 2014 from URL: <http://www.adorama.com/LSPD2616.html>.*

Flash Gun CA-4 Adapter Canon 580EX / 550EX Flex-Mount Flash. [online] Retrieved Jul. 23, 2014 from URL: <http://www.linkdelight.com/E8J-Flash-Gun-CA-4-Adapter-Canon-580EX-550EX-Flex-Mount-Flash.html>.*

* cited by examiner

Primary Examiner — Susan Bennett Hattan

Assistant Examiner — Vy Koenig

(74) *Attorney, Agent, or Firm* — Merchant & Gould P.C.

(57) **CLAIM**

The ornamental design for a camera accessory mounting device, as shown and described.

DESCRIPTION

FIG. 1 is a perspective view of a camera accessory mounting device in a perspective view with environment.

FIG. 2 is a perspective view of the camera accessory mounting device of FIG. 1.

FIG. 3 is a front view of the camera accessory mounting device of FIG. 1.

FIG. 4 is a back view of the camera accessory mounting device of FIG. 1.

FIG. 5 is a right side view of the camera accessory mounting device of FIG. 1.

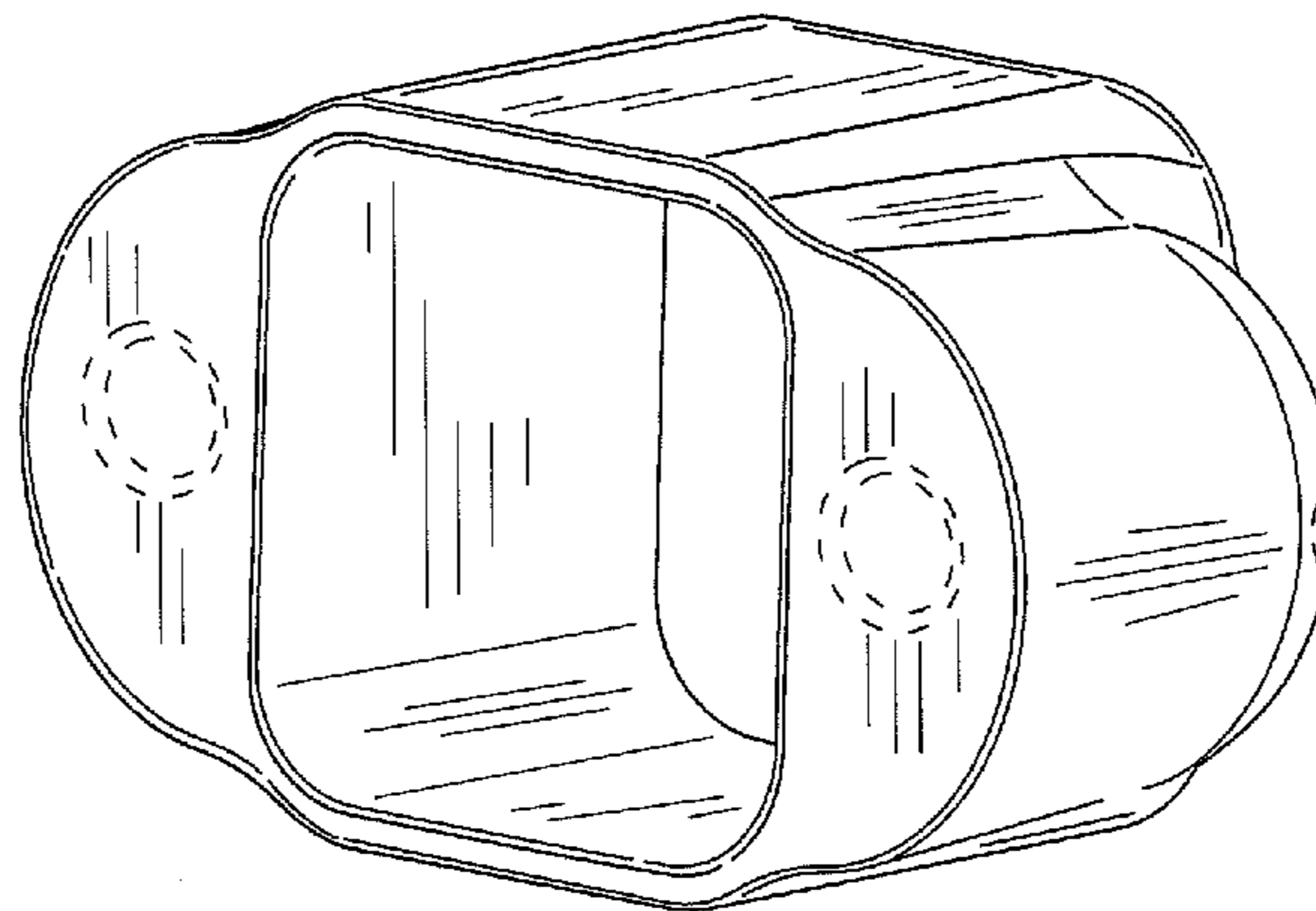
FIG. 6 is a left side view of the camera accessory mounting device of FIG. 1.

FIG. 7 is a top view of the camera accessory mounting device of FIG. 1; and,

FIG. 8 is a bottom view of the camera accessory mounting device of FIG. 1.

The dashed lines depict portions of the camera accessory mounting device or environment that form no part of the claimed design.

1 Claim, 5 Drawing Sheets



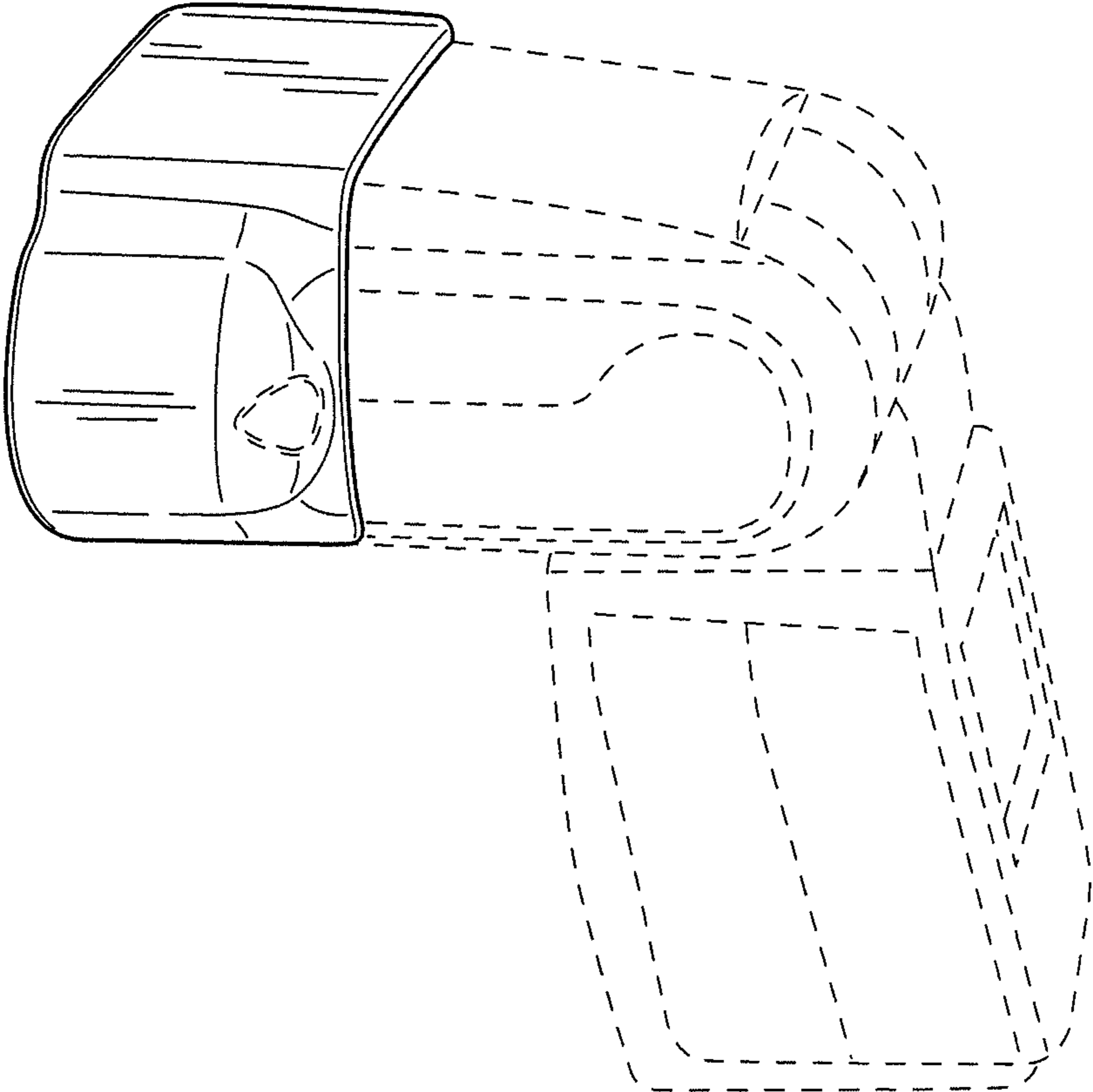


FIG.1

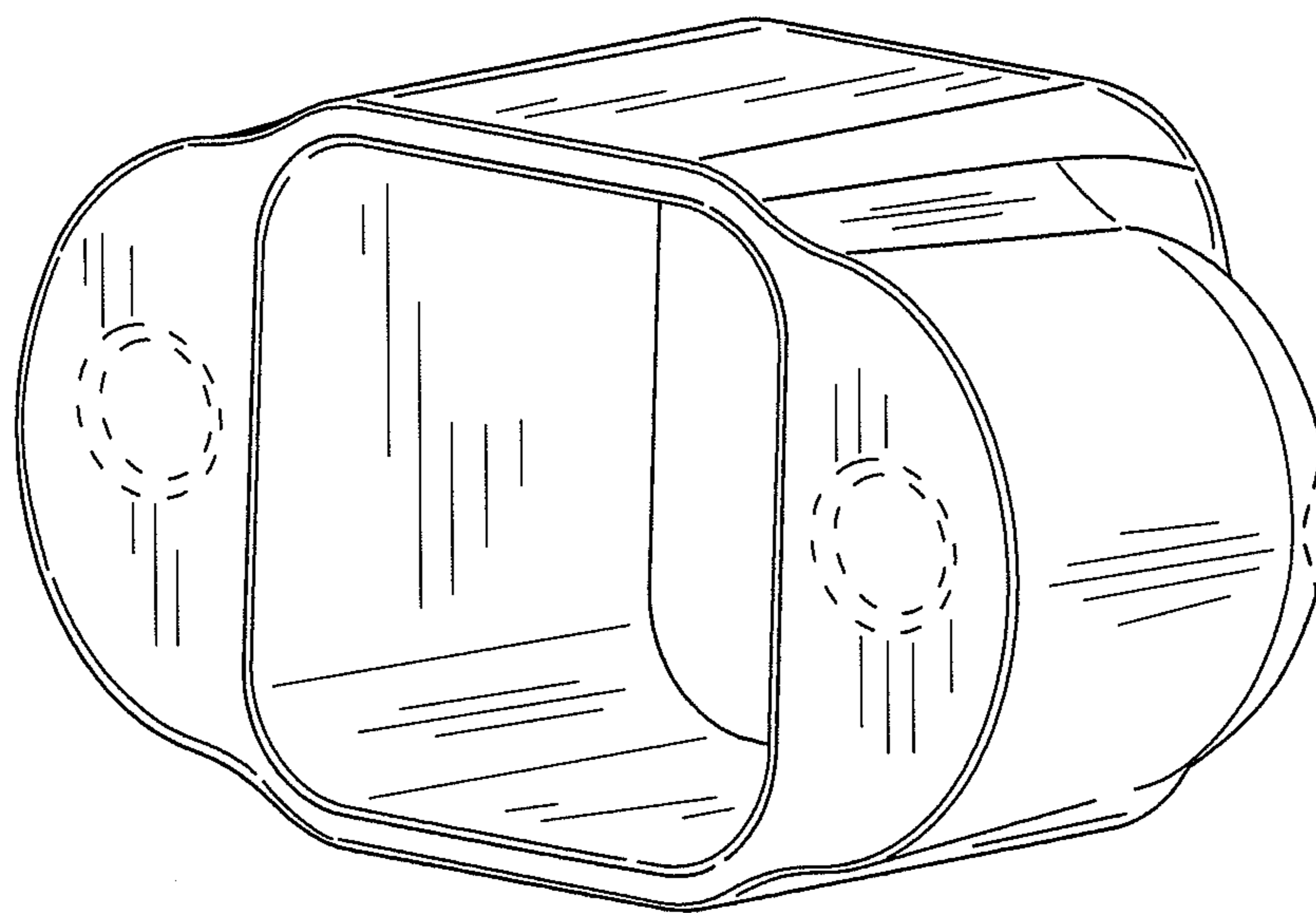


FIG.2

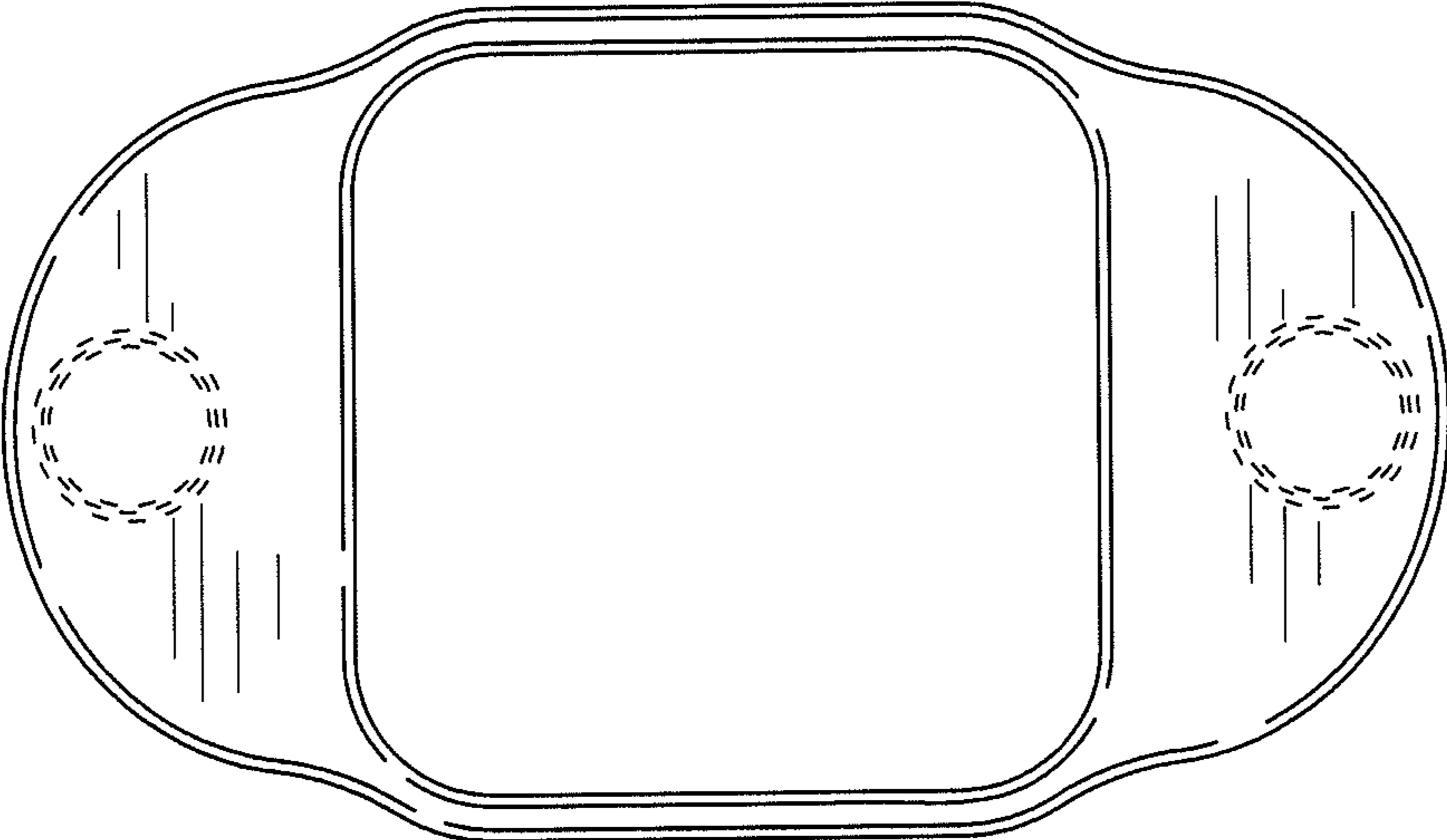


FIG.3

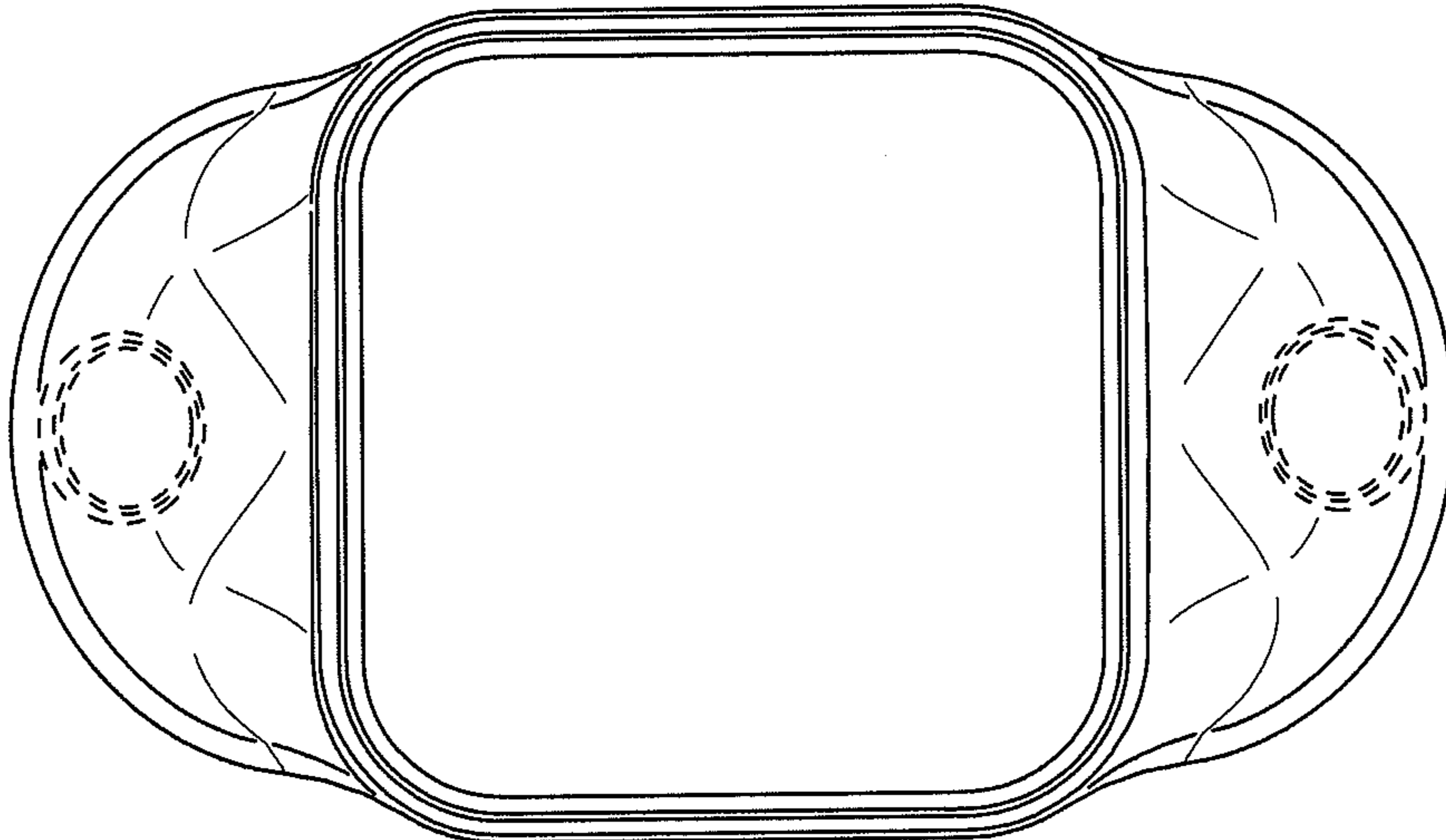


FIG.4

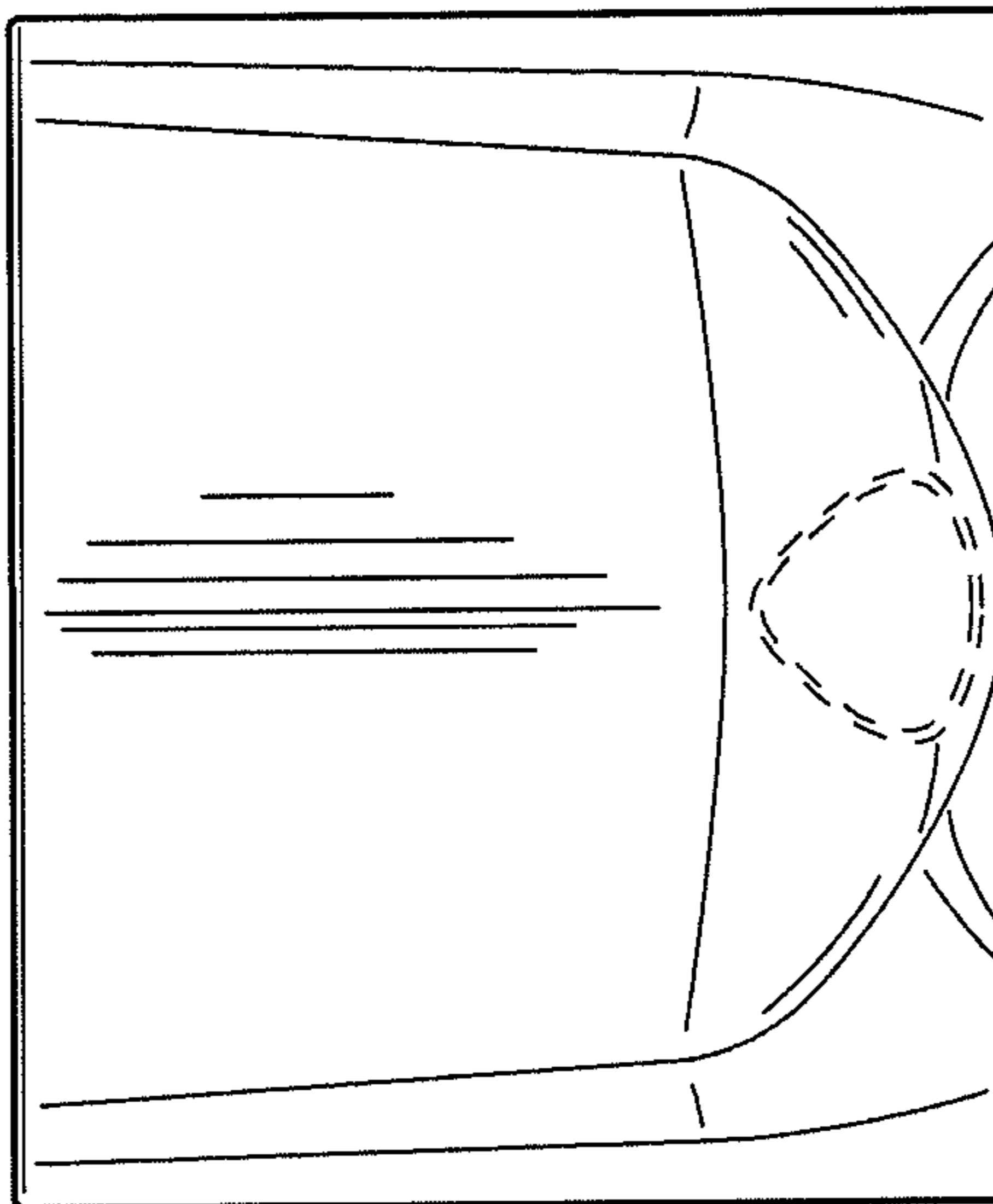


FIG. 5

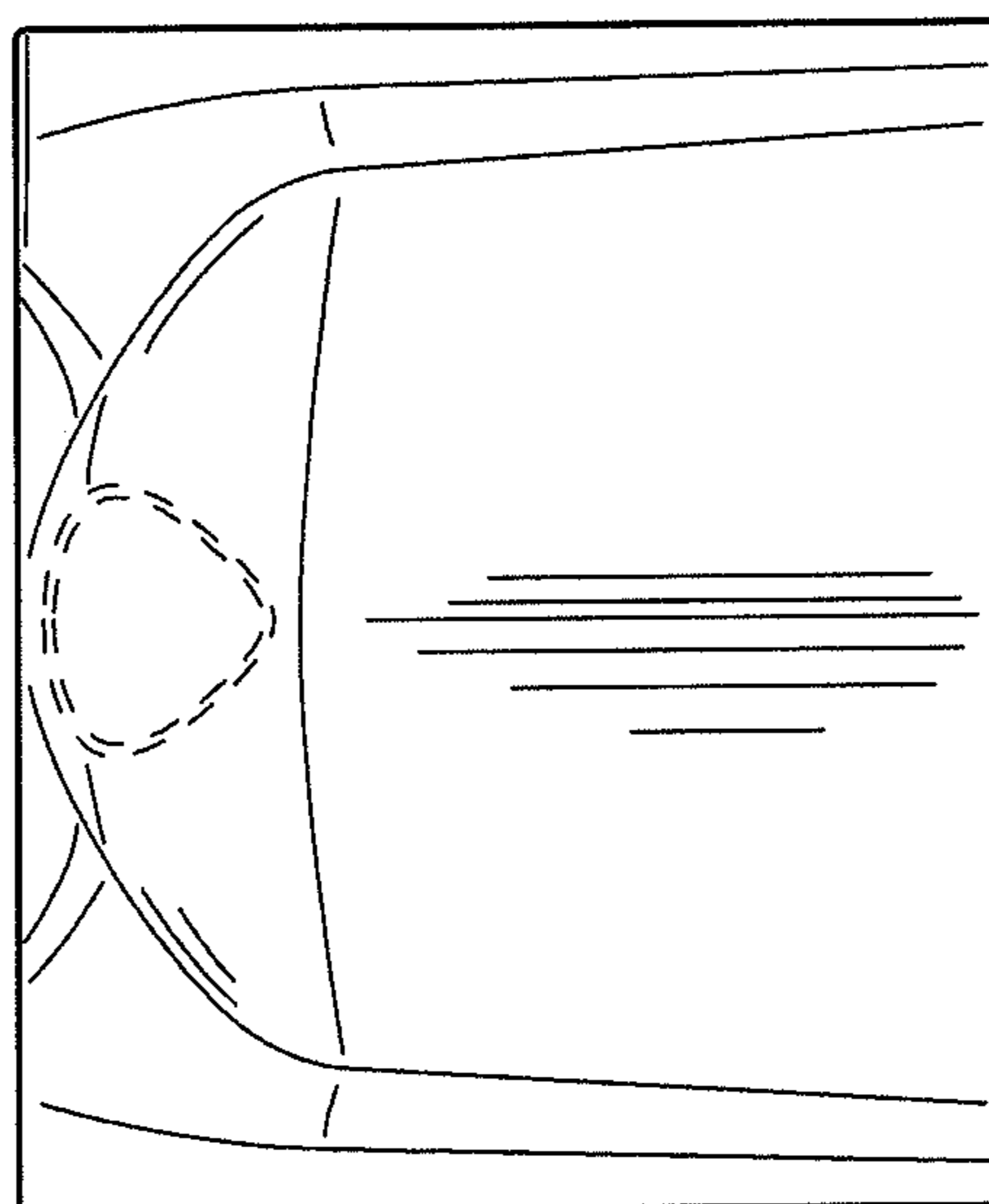


FIG. 6

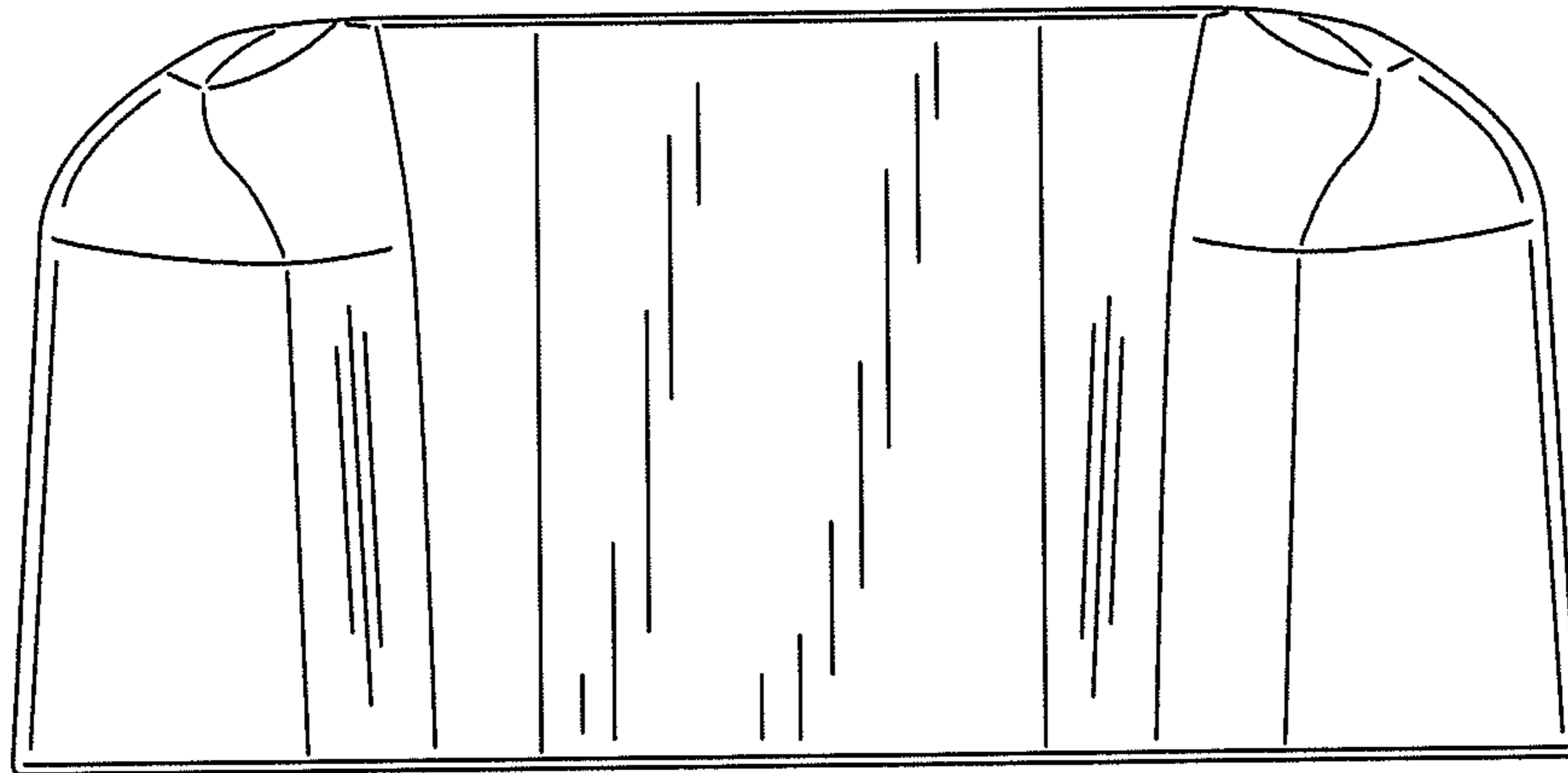


FIG. 7

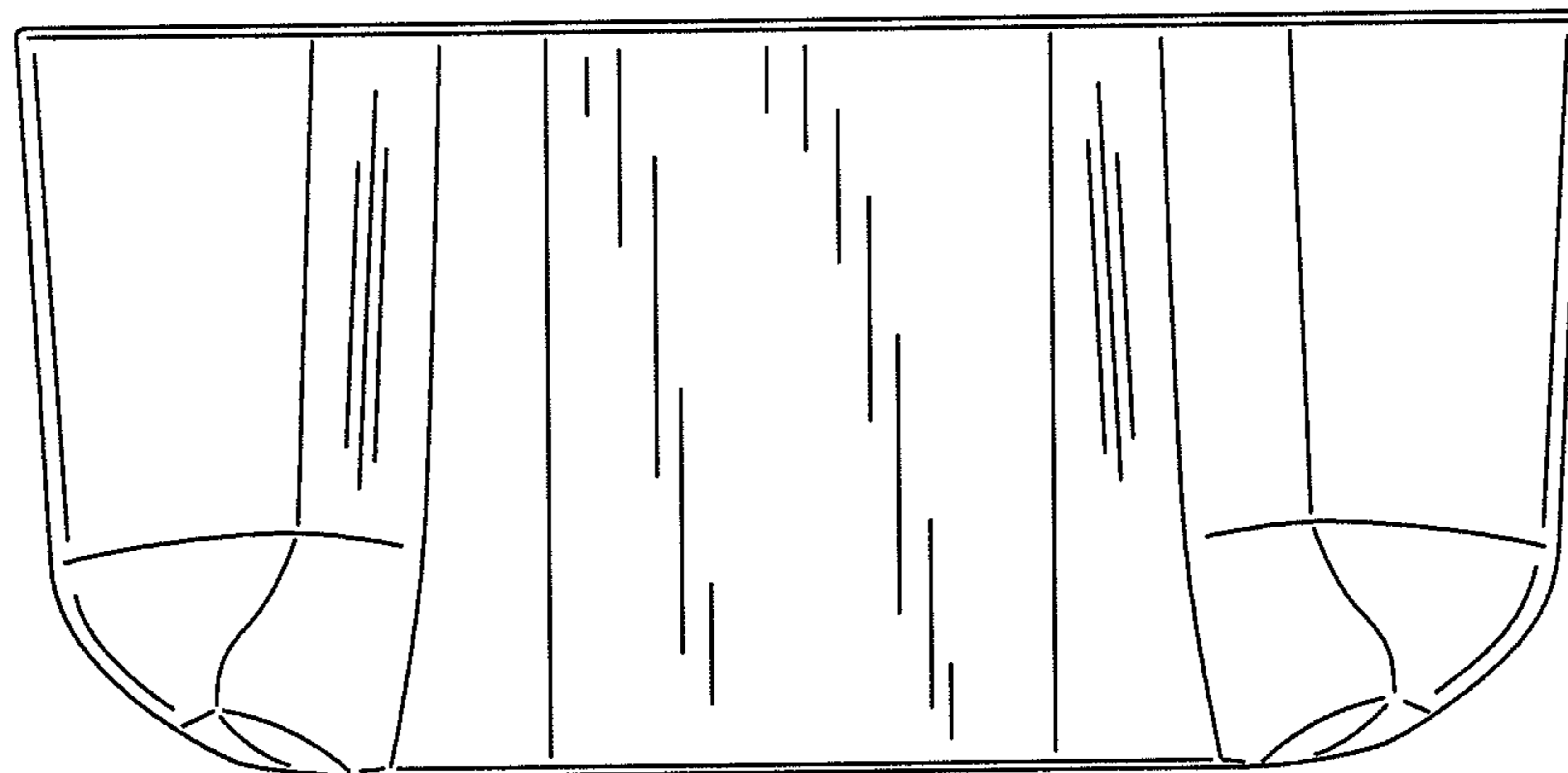


FIG. 8