



US00D715348S

(12) **United States Design Patent**
Peacock et al.

(10) **Patent No.:** **US D715,348 S**

(45) **Date of Patent:** **** Oct. 14, 2014**

(54) **MICRO CAMERA**

(75) Inventors: **Stephen Thomas Peacock**, Kentwood, MI (US); **Elizabeth Jane Peacock**, Kentwood, MI (US)

(73) Assignee: **PRO-VISION, Inc.**, Byron Center, MI (US)

(**) Term: **14 Years**

(21) Appl. No.: **29/395,378**

(22) Filed: **Jan. 11, 2012**

Related U.S. Application Data

(63) Continuation of application No. 29/344,087, filed on Sep. 23, 2009, now abandoned.

(51) **LOC (10) Cl.** **16-01**

(52) **U.S. Cl.**
USPC **D16/203**

(58) **Field of Classification Search**
USPC D16/200–205, 218, 242, 243;
348/373–376; 396/427, 535–541

See application file for complete search history.

(56) **References Cited**

U.S. PATENT DOCUMENTS

D319,068 S *	8/1991	Shinano	D16/243
D378,095 S *	2/1997	Hasegawa	D16/203
D392,300 S	3/1998	Chow	
5,966,176 A	10/1999	Chow	
D496,312 S	9/2004	Sybilrud	
D500,511 S	1/2005	Sybilrud	
D510,589 S	10/2005	Andre	
D515,607 S *	2/2006	Cheng	D16/203
D614,221 S	4/2010	Park	
D616,006 S *	5/2010	Green et al.	D16/202
D635,173 S *	3/2011	Yamakawa	D16/203

* cited by examiner

Primary Examiner — Adir Aronovich

(74) *Attorney, Agent, or Firm* — Varnum, Riddering, Schmidt & Howlett LLP

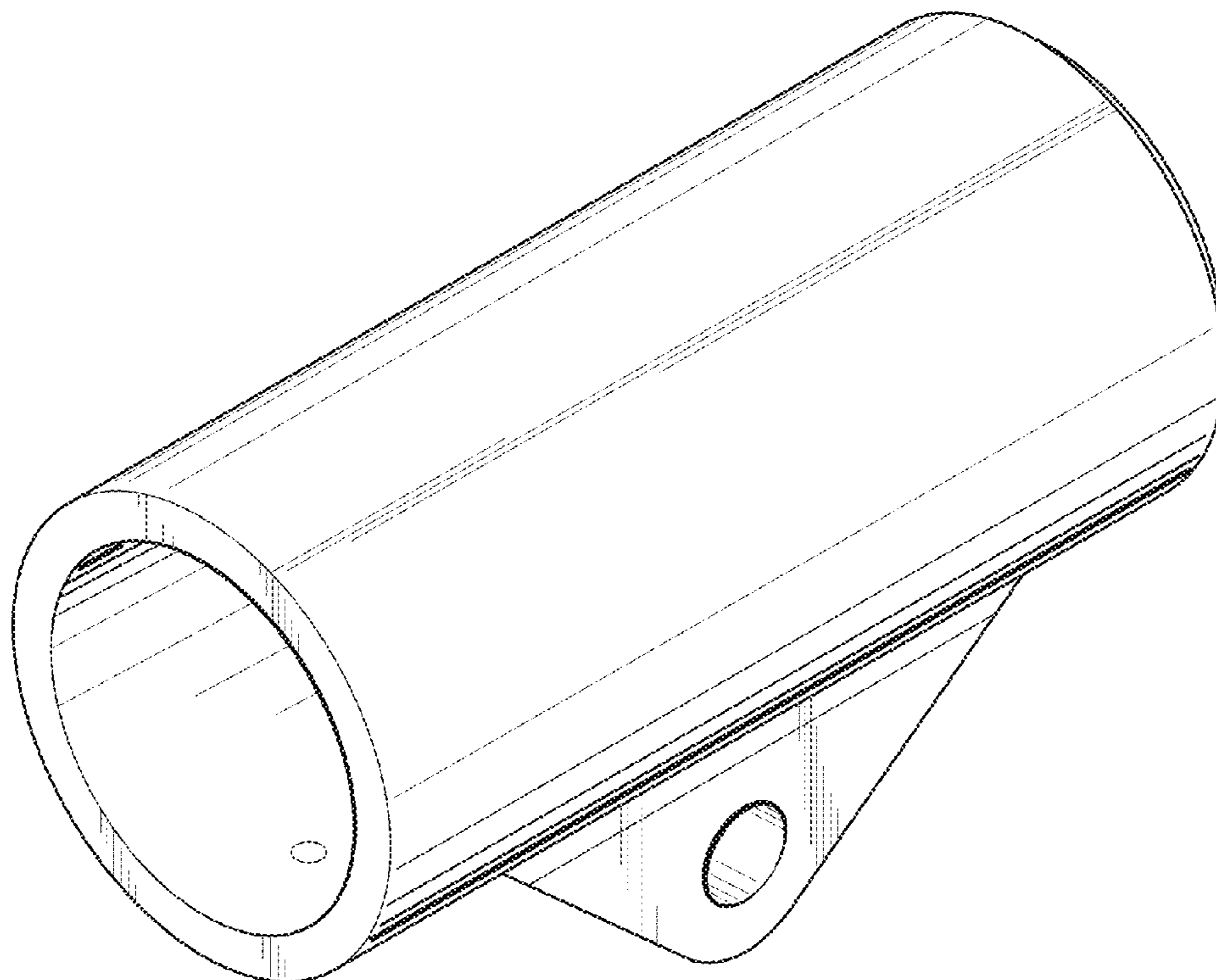
(57) **CLAIM**

The ornamental design for a micro camera, as shown and described.

DESCRIPTION

FIG. 1 is a front, top and right side perspective view of a micro camera in accordance with our invention; FIG. 2 is a right side elevational view thereof; FIG. 3 is a front elevational view thereof; FIG. 4 is a rear elevational view thereof; and, FIG. 5 is a bottom plan view thereof.

1 Claim, 5 Drawing Sheets



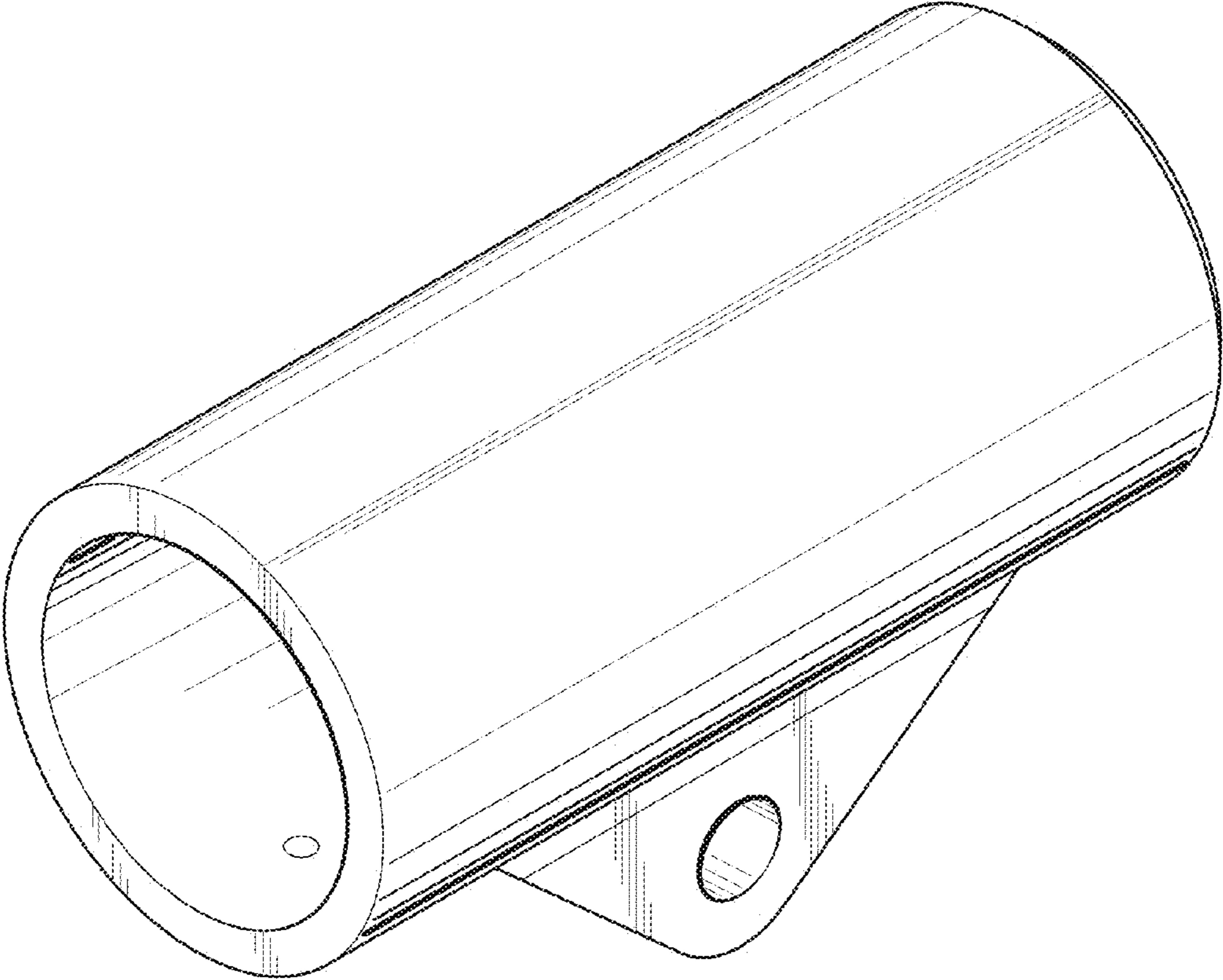


Fig. 1

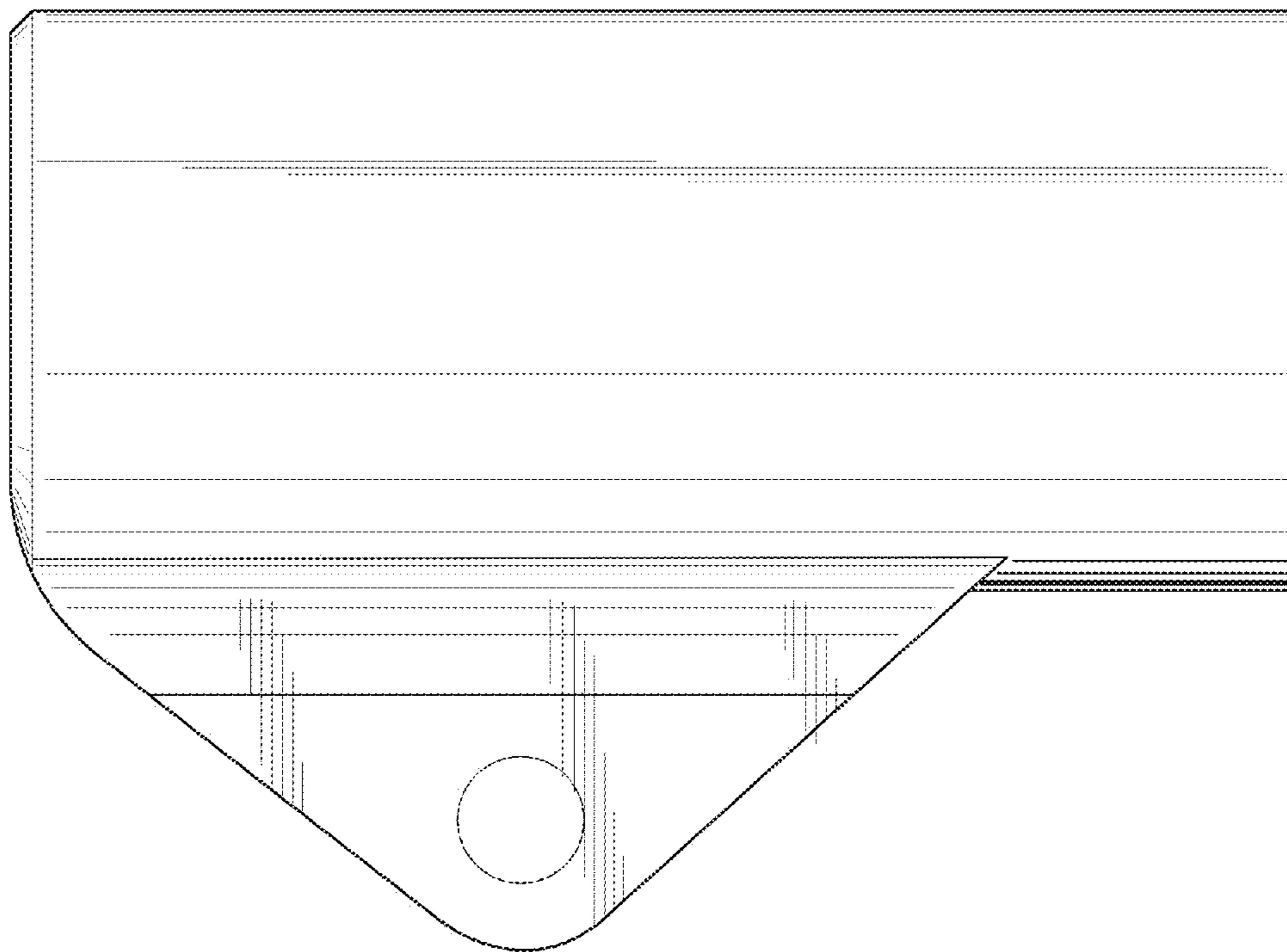


Fig. 2

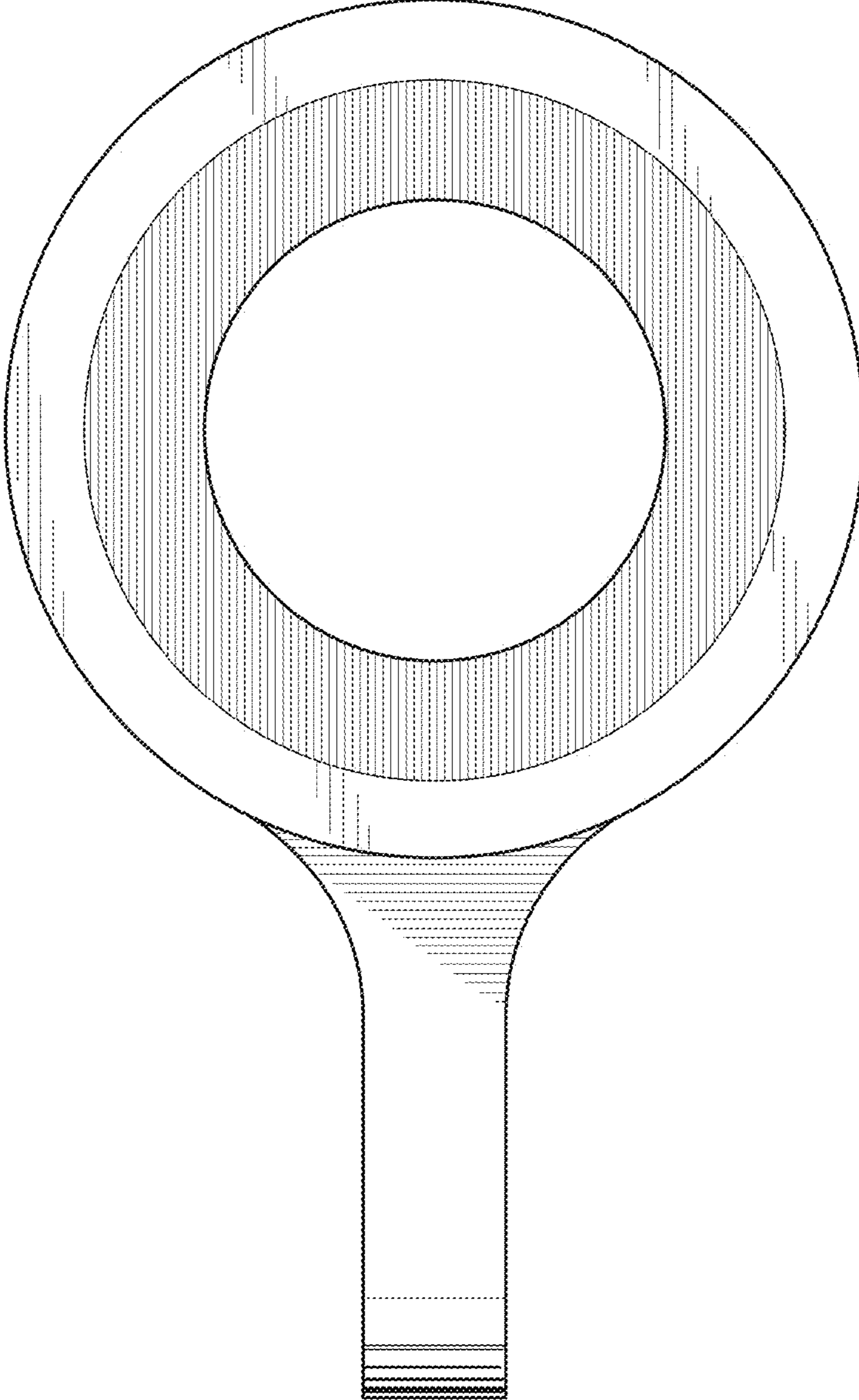


Fig.3

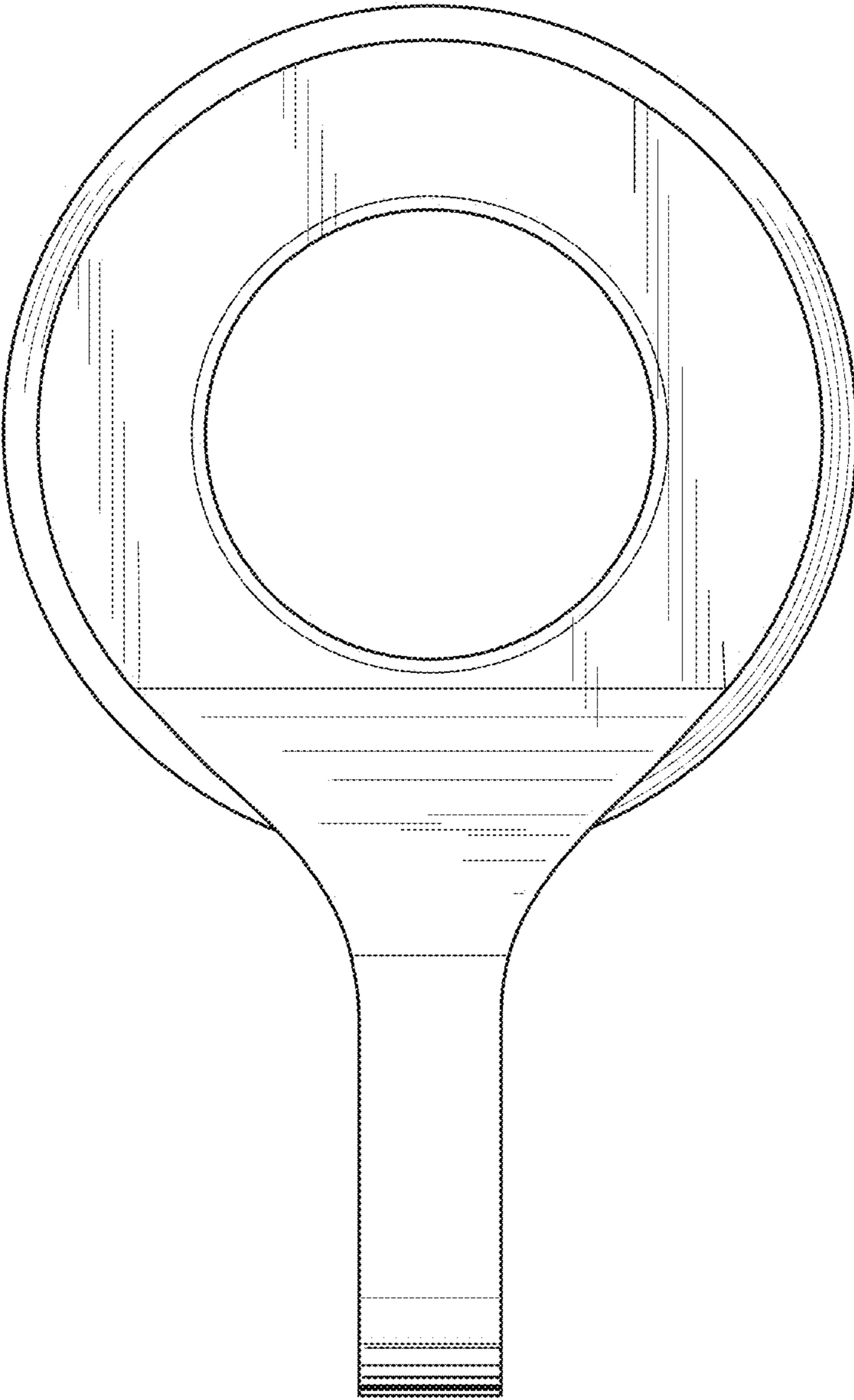


Fig. 4

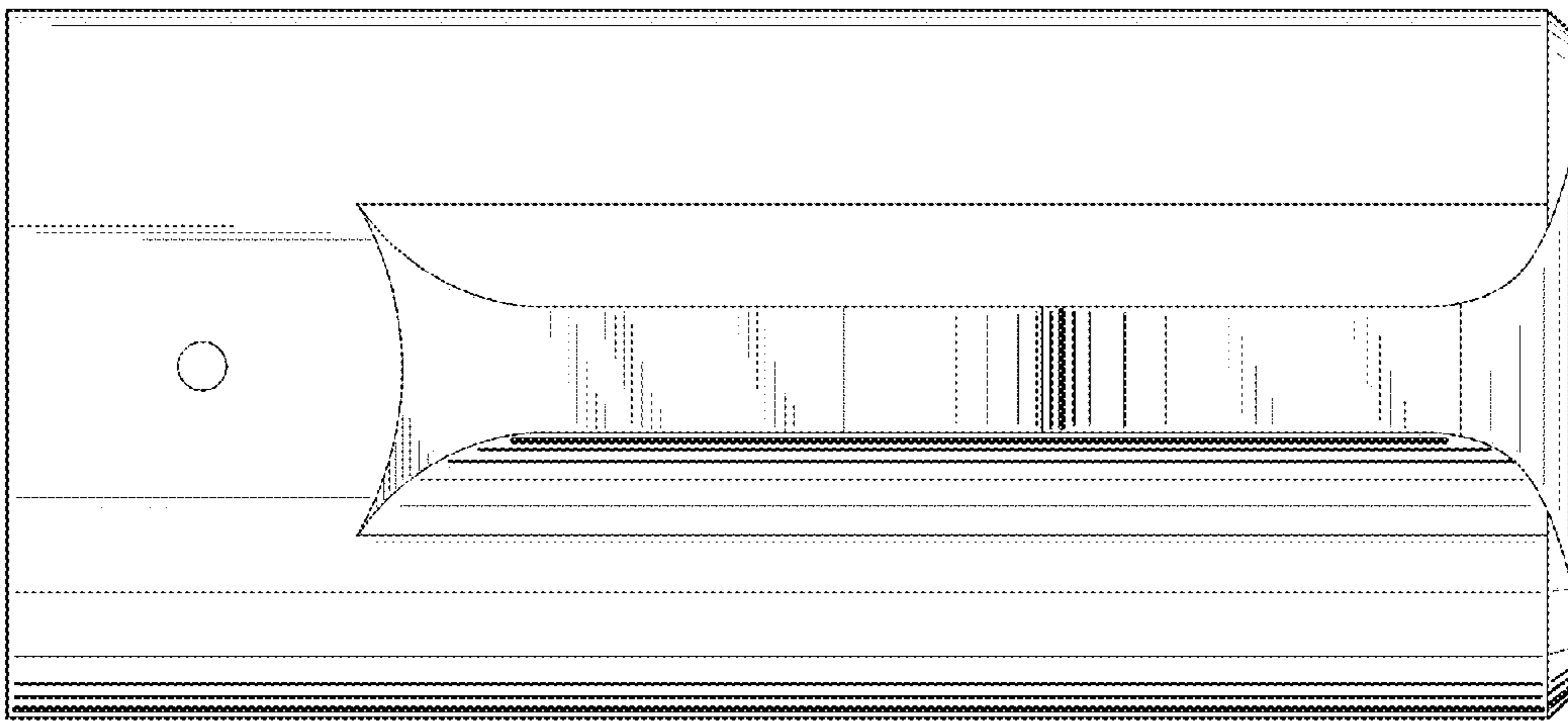


Fig. 5