



US00D715347S

(12) **United States Design Patent**  
**Troxel**

(10) **Patent No.:** **US D715,347 S**  
(45) **Date of Patent:** **\*\* Oct. 14, 2014**

(54) **DATA RECORDING DEVICE**

(71) Applicant: **Digital Ally, Inc.**, Lenexa, KS (US)

(72) Inventor: **Jason R. Troxel**, Lee's Summit, MO (US)

(73) Assignee: **Digital Ally, Inc.**, Lenexa, KS (US)

(\*\*) Term: **14 Years**

(21) Appl. No.: **29/467,962**

(22) Filed: **Sep. 25, 2013**

(51) **LOC (10) Cl.** ..... **16-01**

(52) **U.S. Cl.**  
USPC ..... **D16/202**

(58) **Field of Classification Search**

CPC ..... G03B 15/03; G03B 17/02; G03B 17/04;  
G03B 17/56; G03B 19/04; H04N 5/2251;  
H04N 5/2252; H04N 5/2253; H04N 5/2254;  
H04N 2101/00  
USPC ..... D16/200, 202–205, 208, 209, 218, 219;  
D14/125, 496, 507; 348/373–376;  
396/535, 539–541

See application file for complete search history.

(56) **References Cited**

**U.S. PATENT DOCUMENTS**

D493,184 S *	7/2004	Senda	.....	D16/202
D501,494 S *	2/2005	Ogura	.....	D16/202
D534,939 S *	1/2007	Sheehan et al.	.....	D16/208
D542,820 S *	5/2007	Depay	.....	D16/202
D564,006 S *	3/2008	Stephens et al.	.....	D16/208
D564,559 S *	3/2008	Stephens et al.	.....	D16/208
7,471,334 B1 *	12/2008	Stenger	.....	348/373
D616,901 S *	6/2010	Ward et al.	.....	D14/507
D618,265 S *	6/2010	Wozniak	.....	D16/202
D636,424 S *	4/2011	Lin	.....	D16/203
D643,056 S *	8/2011	Zaliauskas et al.	.....	D16/203
D655,736 S *	3/2012	Barley et al.	.....	D16/203

8,503,972 B2	8/2013	Haler et al.	
8,520,069 B2	8/2013	Haler	
2007/0064108 A1	3/2007	Haler	
2010/0208068 A1*	8/2010	Elsemore	..... 348/143

**OTHER PUBLICATIONS**

Zepcam Wearable Video Technology, <http://www.zepcam.com/product.aspx>, Sep. 26, 2013, Date Posted: Unknown, pp. 1-2.

(Continued)

*Primary Examiner* — Adir Aronovich  
*Assistant Examiner* — Ramzi Almatrahi

(74) *Attorney, Agent, or Firm* — Erise IP, P.A.

(57) **CLAIM**

The ornamental design for a data recording device, as shown and described.

**DESCRIPTION**

FIG. 1 is a front and right perspective view of a data recording device showing my new design;

FIG. 2 is a rear and left perspective view of the data recording device of FIG. 1;

FIG. 3 is a front elevation view of the data recording device of FIG. 1;

FIG. 4 is a rear elevation view of the data recording device of FIG. 1;

FIG. 5 is a top plan view of the data recording device of FIG. 1;

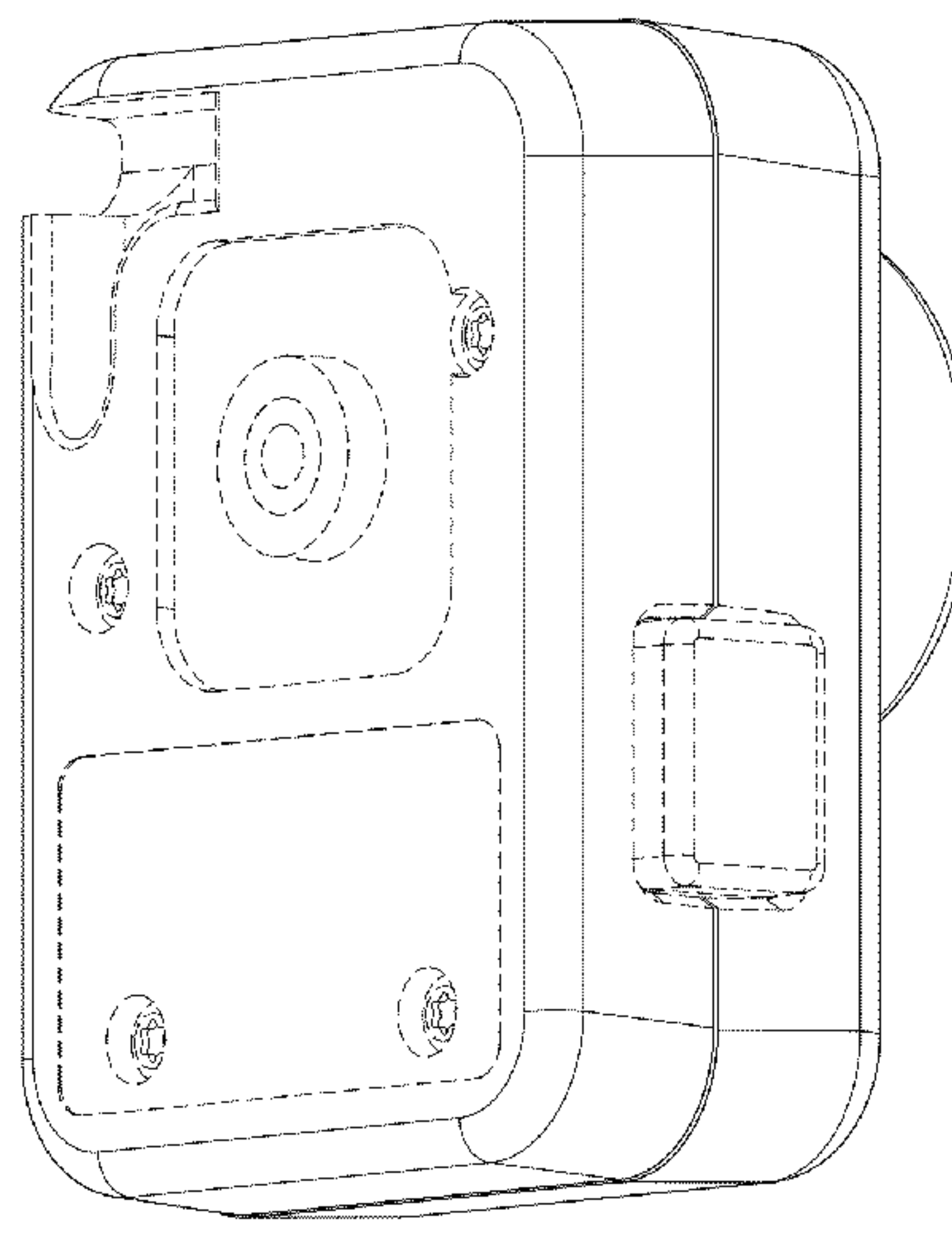
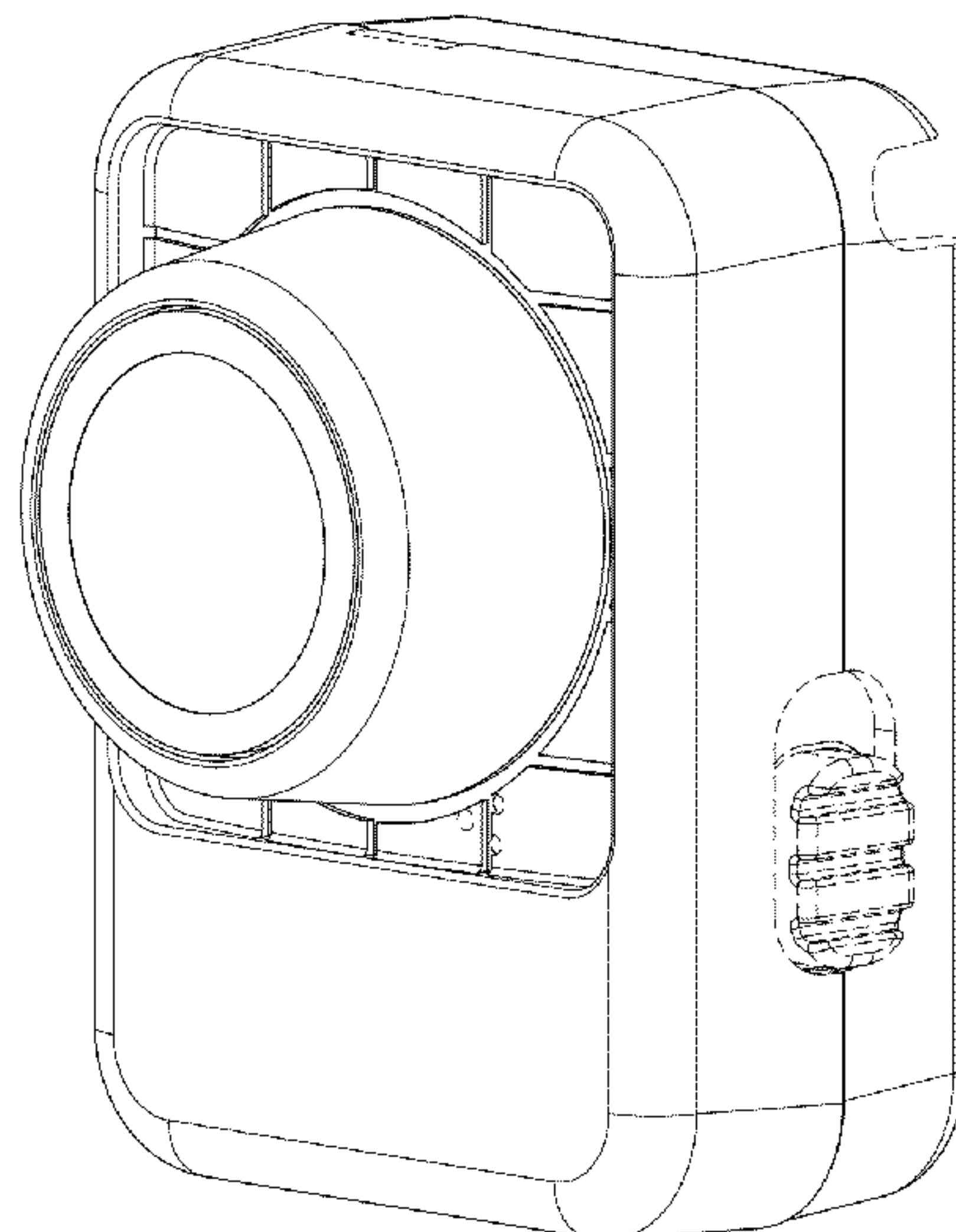
FIG. 6 is a bottom plan view of the data recording device of FIG. 1; and

FIG. 7 is a left side elevation view of the data recording device of FIG. 1; and,

FIG. 8 is a right side elevation view of the data recording device of FIG. 1.

The broken lines depict portions of the data recording device in which the design is embodied and form no part of the claimed design.

**1 Claim, 4 Drawing Sheets**



(56)

**References Cited**

## OTHER PUBLICATIONS

Witness Cam headset, <http://www.secgru.com/DVR-Witness-Cam-Headset-Video-Recorder-SG-DVR-1-COP.html>, Sep. 26, 2013, Date Posted: Unknown, pp. 1-2.

SUV Cam, <http://www.elmo.co.jp/suv-cam/en/product/index.html>, Sep. 26, 2013, Date Posted: Unknown, p. 1.

Asian Wolf High Quality Angel Eye Body Video Spy Camera Recorder System, <http://www.asianwolf.com/covert-bodycam-hq-angeleye.html>, Sep. 26, 2013, Date Posted: Unknown, pp. 1-3.

Panasonic Handheld AVCCAM HD Recorder/Player, <http://www.panasonic.com/business/provideo/ag-hmr10.asp>, Sep. 26, 2013, Date Posted: Unknown, pp. 1-2.

POV.HD System Digital Video Camera, <http://www.vio-pov.com/index.php>, Sep. 26, 2013, Date Posted: Unknown, pp. 1-3.

Eclplaza HY-001HD law enforcement DVR, <http://fireeye.en.ecplaza.net/law-enforcement-dvr--238185-1619696.html>, Sep. 26, 2013, Date Posted: Unknown, pp. 1-3.

Edesix VideoBadge, <http://www.edesix.com/edesix-products>, Sep. 26, 2013, Date Posted: Unknown, pp. 1-3.

Tide Leader police body worn camera, <http://tideleader.en.gongchang.com/product/14899076>, Sep. 26, 2013, Date Posted: Unknown, pp. 1-3.

Stalker VUE Law Enforcement Grade Body Worn Video Camera/Recorder, [http://www.stalkerradar.com/law\\_vue\\_shtml](http://www.stalkerradar.com/law_vue_shtml), Sep. 26, 2013, Date Posted: Unknown, pp. 1-2.

Vidmic Officer Worn Video & Radio Accessories, <http://www.vidmic.com/>, Sep. 26, 2013, Date Posted: Unknown, p. 1.

WatchGuard CopVu Wearable Video Camera System, <http://watchguardvideo.com/copvu/overview>, Sep. 26, 2013, Date Posted: Unknown, pp. 1-2.

Kustom Signals VieVu, <http://www.kustomsignals.com/index.php/mvideo/vievu>, Sep. 26, 2013, Date Posted: Unknown, pp. 1-4.

WolfCom 3rd Eye, X1 A/V Recorder for Police and Military, <http://wolfcomusa.com/Products/Products.html>, Sep. 26, 2013, Date Posted: Unknown, pp. 1-3.

Reveal Media RS3-SX high definition video recorder, <http://www.revealmedia.com/buy-t166/cameras/rs3-sx.aspx>, Sep. 26, 2013, Date Posted: Unknown, pp. 1-2.

Spy Chest Mini Spy Camera / Self Contained Mini camcorder / Audio & Video Recorder, [http://www.spytechs.com/spy\\_cameras/mini-spy-camera.htm](http://www.spytechs.com/spy_cameras/mini-spy-camera.htm), Sep. 26, 2013, Date Posted: Unknown, pp. 1-3.

Lea-Aid Scorpion Micro Recorder Patrol kit, <http://www.leacorp.com/products/SCORPION-Micro-Recorder-Patrol-kit.html>, Sep. 26, 2013, Date Posted: Unknown, pp. 1-2.

Veho Muvi portable wireless speaker with dock, <http://veho-uk.fastnet.co.uk/main/shop.aspx?category=camcorder>, Sep. 26, 2013, Date Posted: Unknown, p. 1.

Veho Muvi HD, <http://veho-uk.fastnet.co.uk/main/shop.aspx?category=CAMMUVIHD>, Sep. 26, 2013, Date Posted: Unknown, pp. 1-5.

SIV Security in Vehicle Driving Partner, <http://www.siv.co.kr/>, Sep. 26, 2013, Date Posted: Unknown, p. 1.

Midland XTC HD Video Camera, <http://midlandradio.com/Company/xtc100-signup>, Sep. 26, 2013, Date Posted: Unknown, pp. 1-3.

Drift X170, <http://driftinnovation.com/support/firmware-update/x170/>, Sep. 26, 2013, Date Posted: Unknown, p. 1.

uCorder Pockito Wearabel Mini Pcket Camcorder, <http://www.ucorder.com/>, Sep. 26, 2013, Date Posted: Unknown, p. 1.

isaw Advance Hull HD EXtreme, [www.isawcam.co.kr](http://www.isawcam.co.kr), Sep. 26, 2013, Date Posted: Unknown, p. 1.

Scorpion Micro DV Video Audio Recorder, <http://www.leacorp.com/scorpion-micro-dv-video-audio-recorder/>, Sep. 26, 2013, Date Posted: Unknown, pp. 1-3.

Looxcie Wearable & mountable streaming video cams, <http://www.looxcie.com/overview?gclid=CPbDyv6piq8CFWeFQAodlhXC-w>, Sep. 26, 2013, Date Posted: Unknown, pp. 1-4.

Point of View Cameras Military & Police, <http://pointofviewcameras.com/military-police>, Sep. 26, 2013, Date Posted: Unknown, pp. 1-2.

Dyna Spy Inc. hidden cameras, <https://www.dynaspy.com/hidden-cameras/spy-cameras/body-worn-wearable-spy-cameras>, Sep. 26, 2013, Date Posted: Unknown, pp. 1-3.

Brick House Security Body Worn Cameras / Hidden Cameras / Covert Spy Cameras, [http://www.brickhousesecurity.com/body-worn-covert-spy-cameras.html?sf=0#sortblock&CMPID=PD\\_Google\\_%22body+camera%22&utm\\_source=google&utm\\_medium=cpc&utm\\_term=%22body+camera%22&mm\\_campaign=876a94ea5dd198a8c5dc3d1e67eccb34](http://www.brickhousesecurity.com/body-worn-covert-spy-cameras.html?sf=0#sortblock&CMPID=PD_Google_%22body+camera%22&utm_source=google&utm_medium=cpc&utm_term=%22body+camera%22&mm_campaign=876a94ea5dd198a8c5dc3d1e67eccb34)

&keyword=%22body+camera%22&utm\_source=google&utm\_medium=cpc&utm\_campaign=Cameras++Body+Worn+Cameras&c1=323-29840300-1.

Amazon.com wearable camcorders, [http://www.amazon.com/s/ref=nb\\_sb\\_ss\\_i\\_0\\_4?url=search-alias%3Dphoto&field-keywords=wearable+camcorder&x=0&y=0&srefix=wear](http://www.amazon.com/s/ref=nb_sb_ss_i_0_4?url=search-alias%3Dphoto&field-keywords=wearable+camcorder&x=0&y=0&srefix=wear), Sep. 26, 2013, Date Posted: Unknown, pp. 1-4.

Taser Axon Body On Officer Video/Police Body Camera, <http://www.taser.com/products/on-officer-video/axon-body-on-officer-video>, Sep. 23, 2013, Date Posted: Unknown, pp. 1-8.

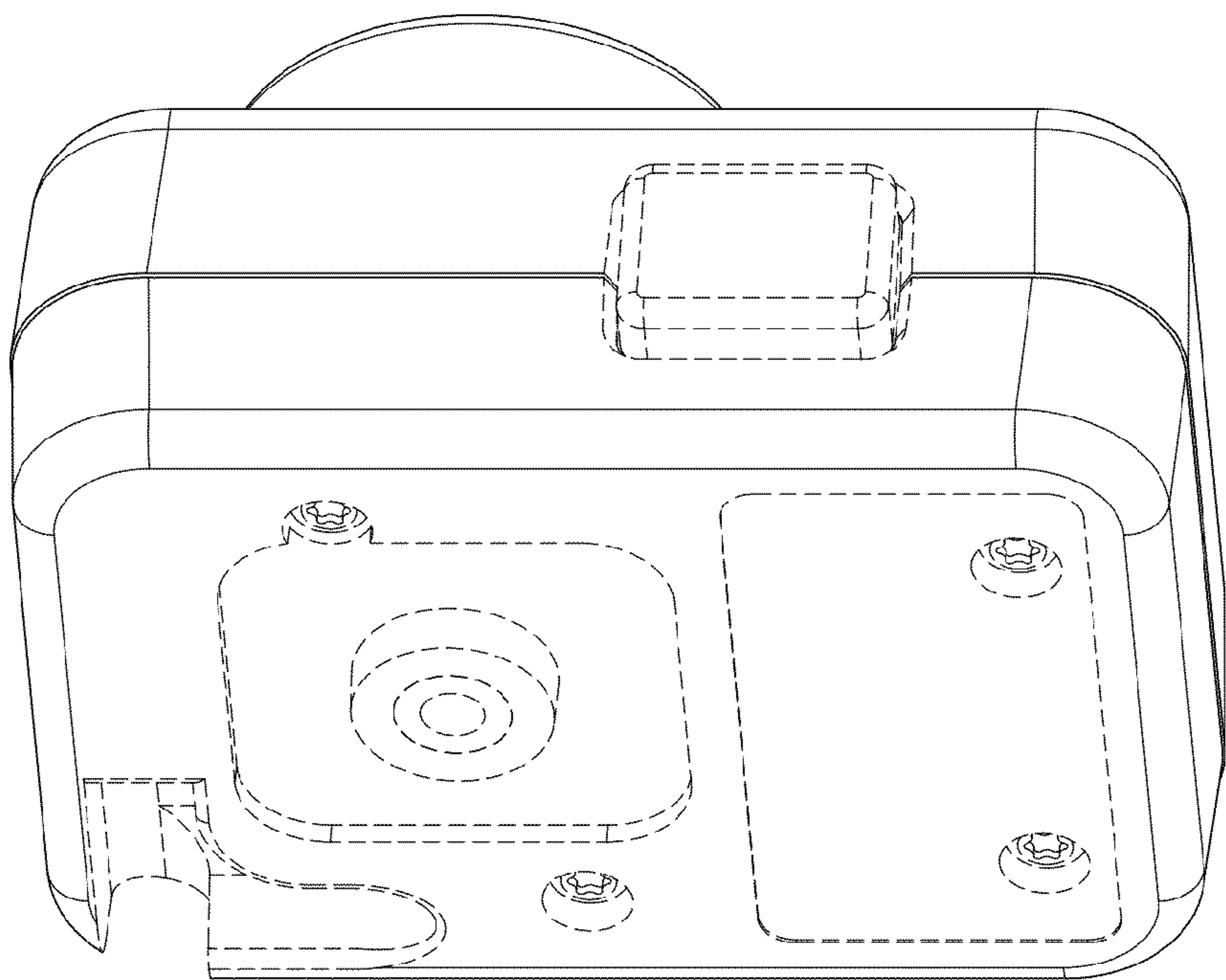
GoPro Official Website: The World's Most Versatile Camera, <http://gopro.com/products/?gclid=CKqHv9jT4rkCFWZk7AodyiAAaQ>, Sep. 23, 2013, Date Posted: Unknown, pp. 4-9.

Vievu Products, <http://www.vievu.com/vievu-products/vievu-squared/>, Sep. 25, 2013, Date Posted: Unknown, pp. 1-2.

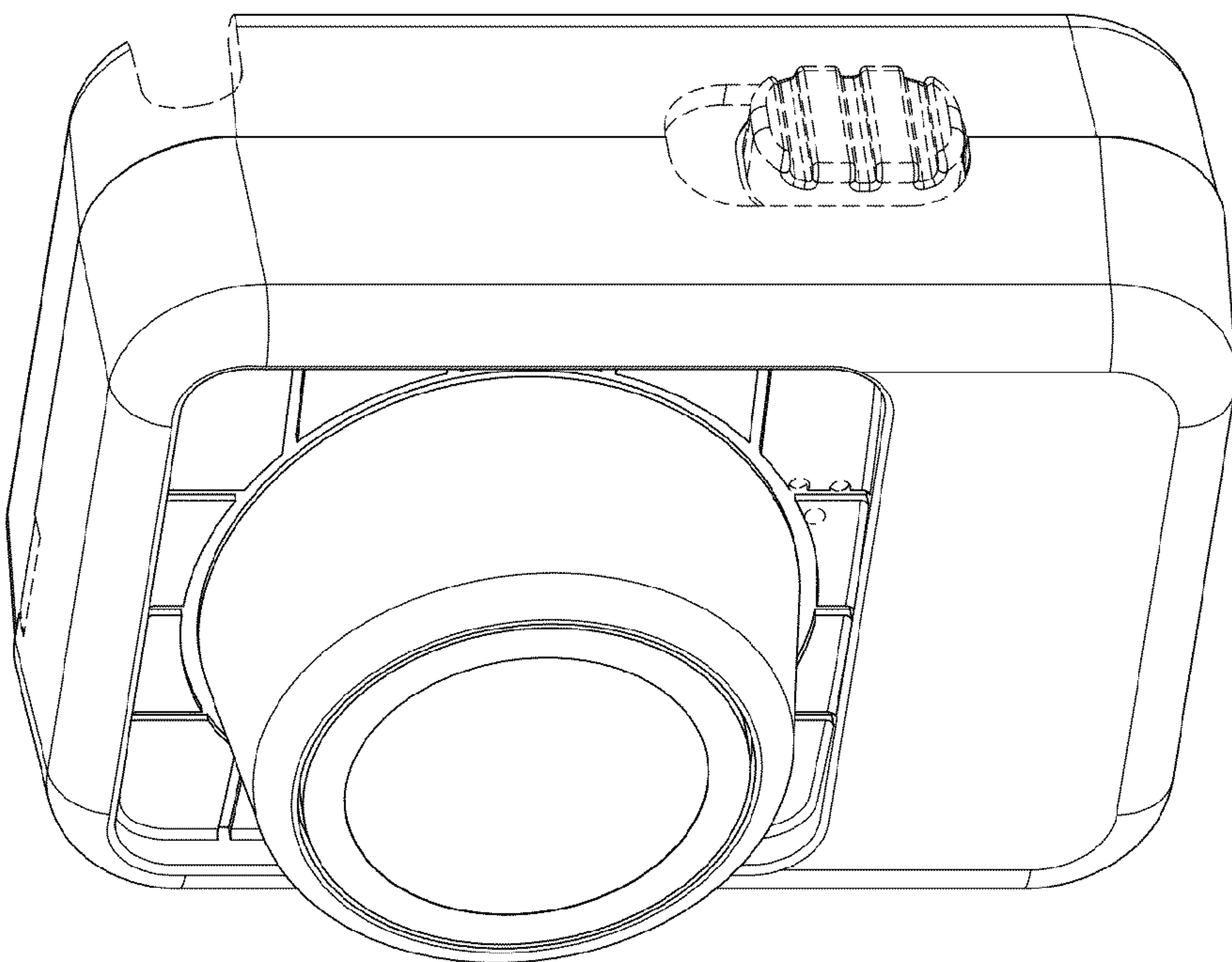
Digital Ally First Vu Mountable Digital Camera Video Recorder, [http://www.opticsplanet.com/digital-ally-first-vu-mountable-digital-camera-video-recorder.html?gclid=CIKohcX05rkCFsIo7AodU0IA0g&ef\\_id=UjCGEAAAawGGEjrQF:20130925155534:s](http://www.opticsplanet.com/digital-ally-first-vu-mountable-digital-camera-video-recorder.html?gclid=CIKohcX05rkCFsIo7AodU0IA0g&ef_id=UjCGEAAAawGGEjrQF:20130925155534:s), Sep. 25, 2013, Date Posted: Unknown, pp. 1-4.

\* cited by examiner

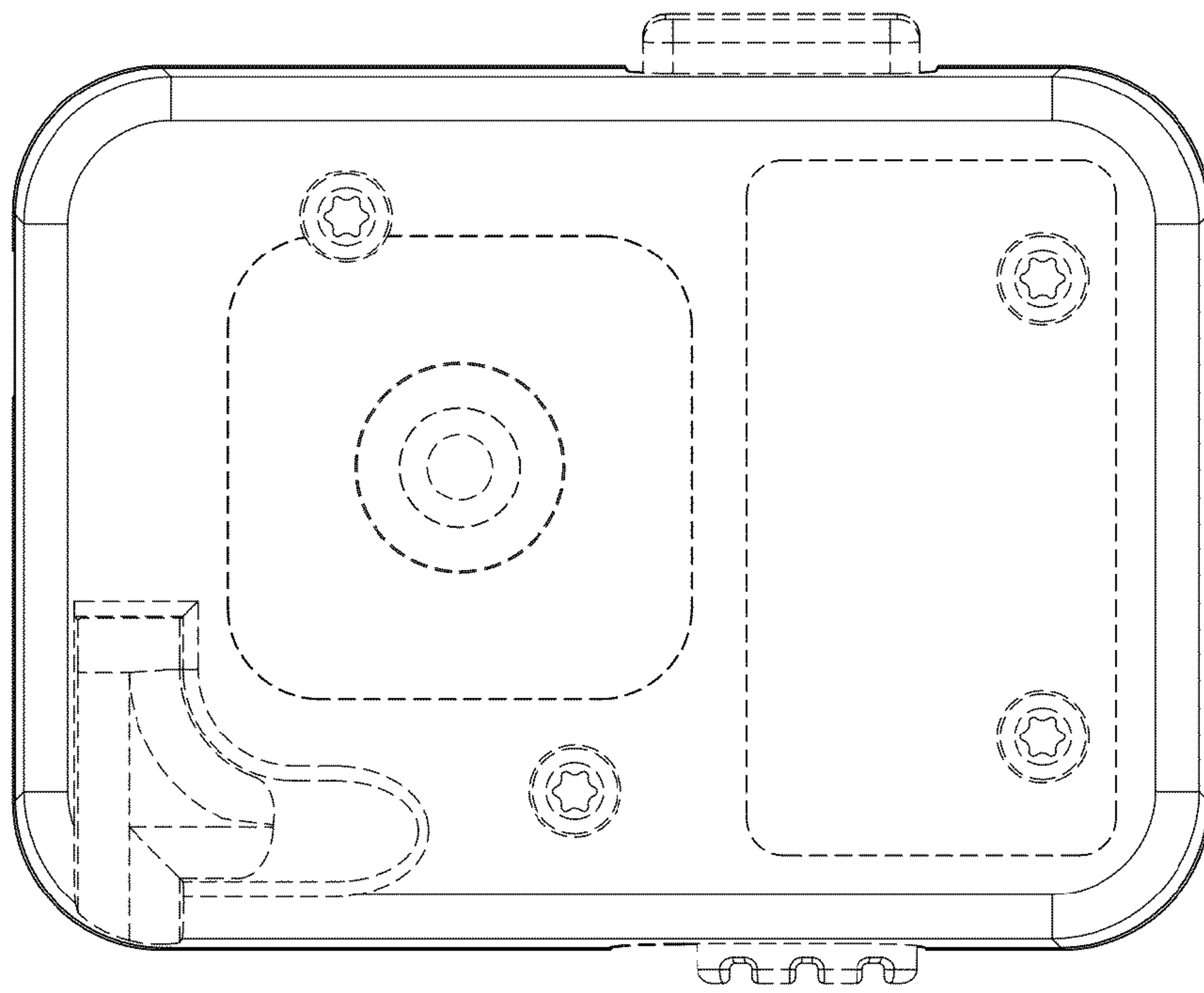




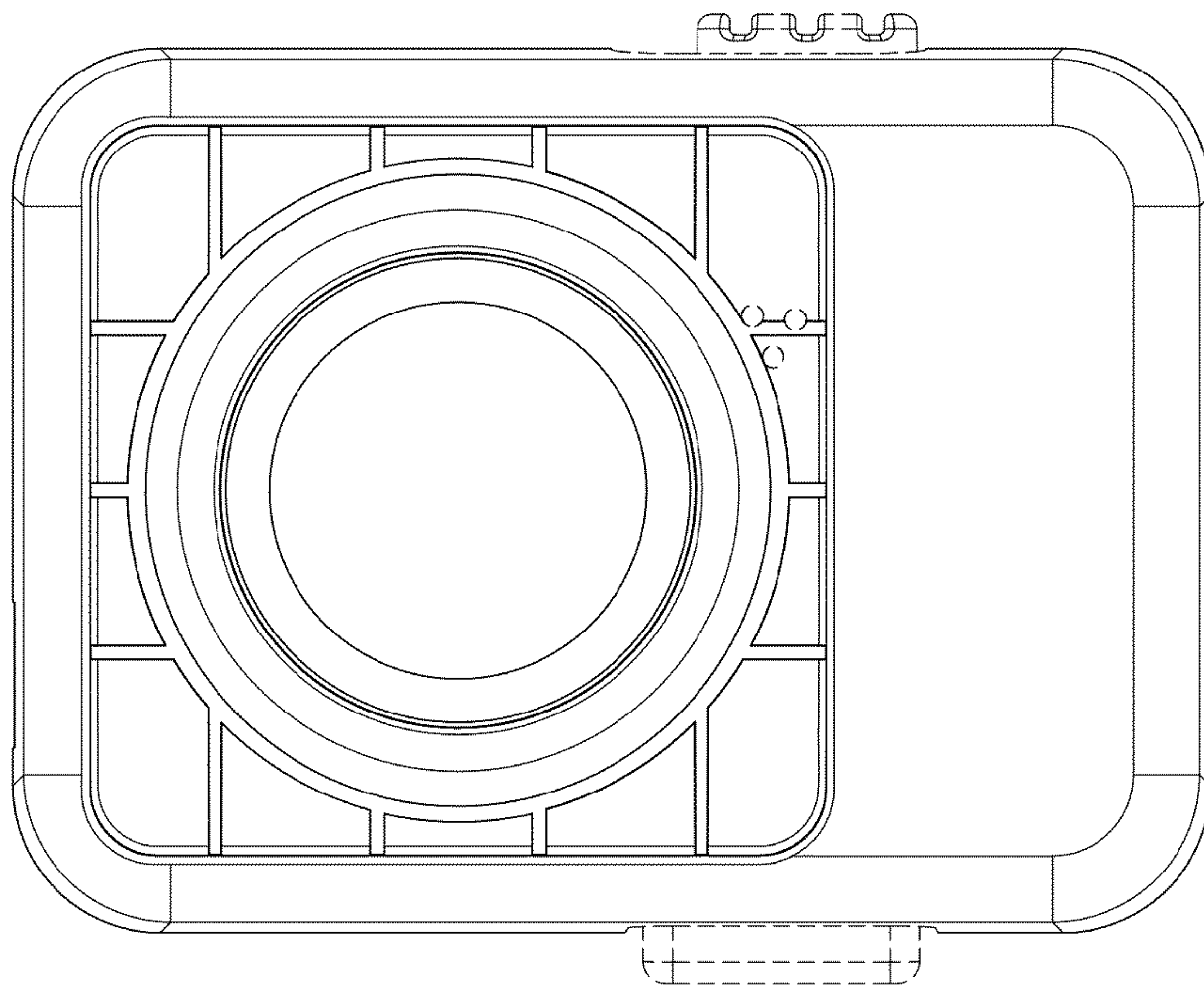
*Fig. 2.*



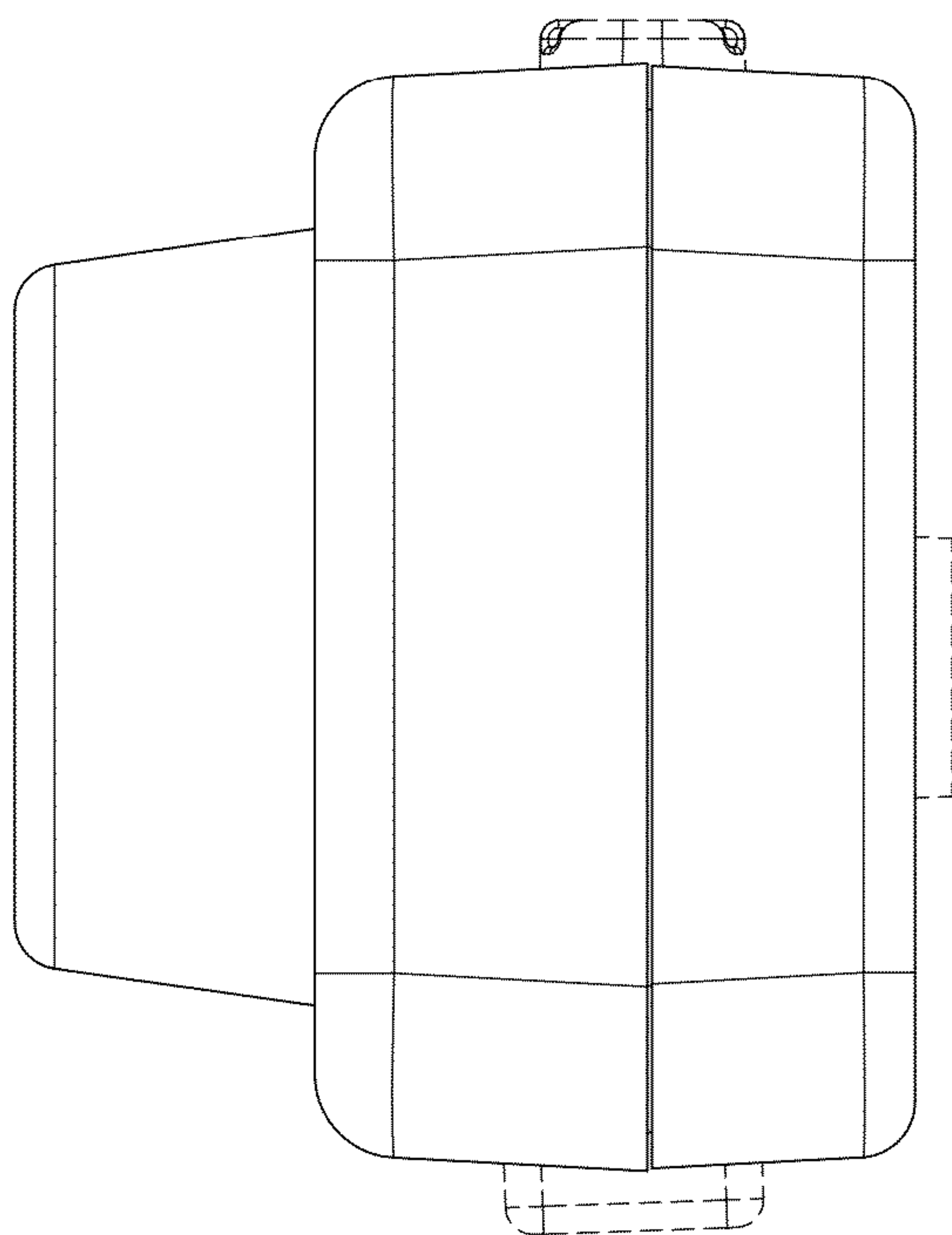
*Fig. 1.*



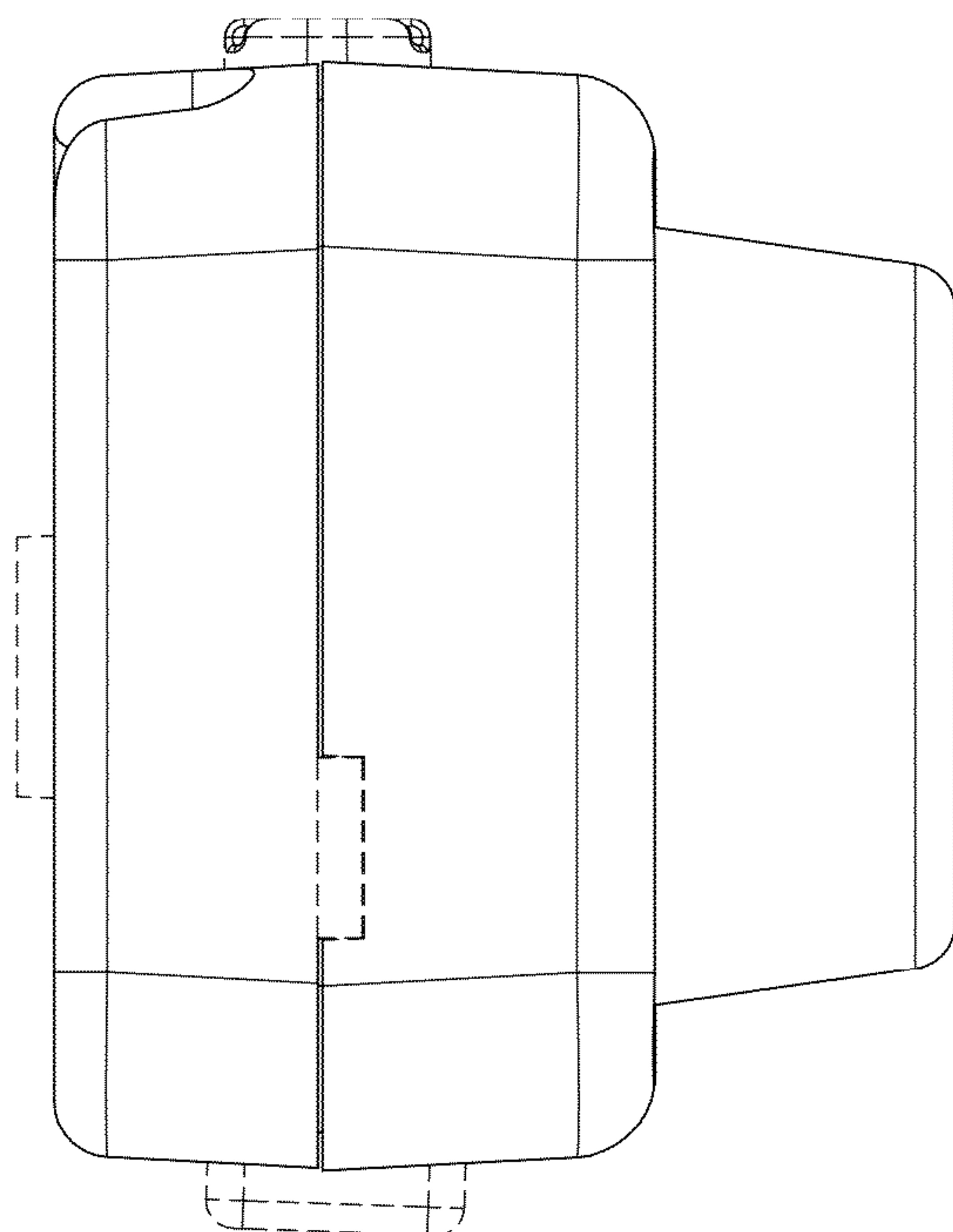
*Fig. 4.*



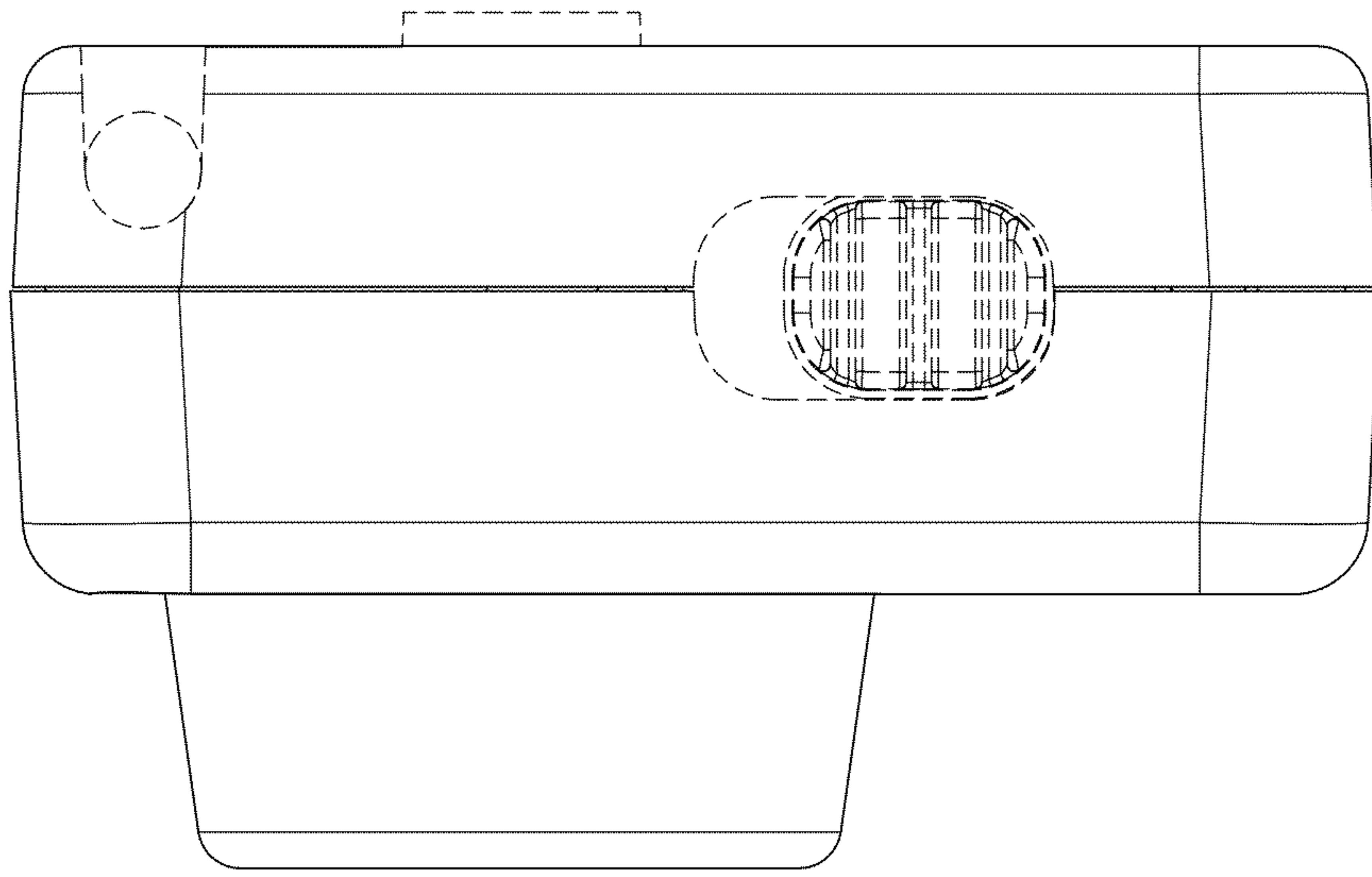
*Fig. 3.*



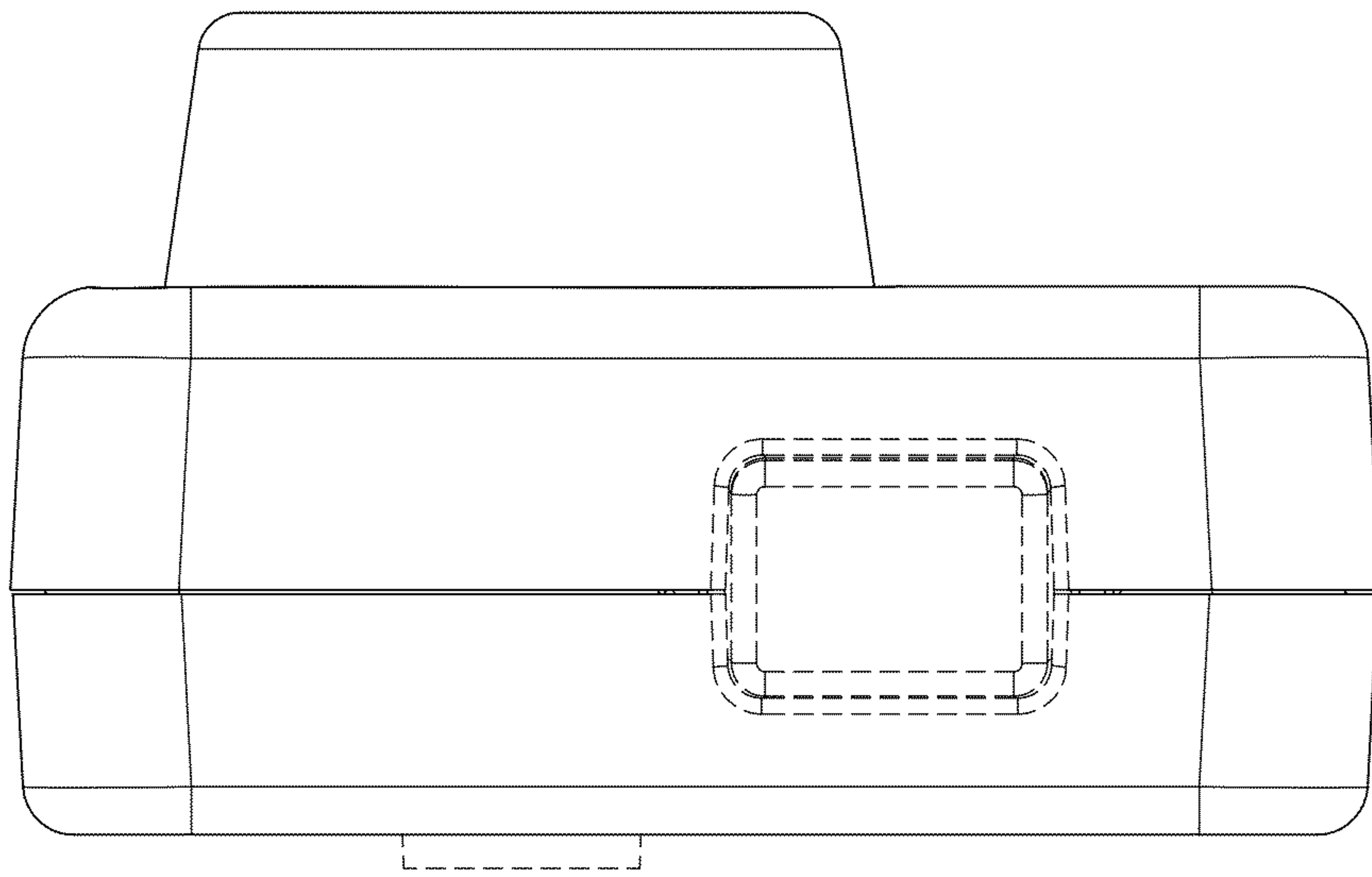
*Fig. 6.*



*Fig. 5.*



*Fig. 8.*



*Fig. 7.*