



US00D715346S

(12) **United States Design Patent**
Noumi et al.

(10) **Patent No.:** **US D715,346 S**
(45) **Date of Patent:** **** Oct. 14, 2014**

(54) **CONTAINER FOR MIXER**
(71) Applicant: **Nitto Denko Corporation**, Osaka (JP)
(72) Inventors: **Shunsuke Noumi**, Osaka (JP); **Masaya Yano**, Osaka (JP); **Youzou Yano**, Osaka (JP)
(73) Assignee: **Nitto Denko Corporation**, Osaka (JP)

(**) Term: **14 Years**

(21) Appl. No.: **29/441,901**

(22) Filed: **Jan. 10, 2013**

(51) **LOC (10) Cl.** **15-99**

(52) **U.S. Cl.**
USPC **D15/147**

(58) **Field of Classification Search**
USPC D7/376, 384; D15/135, 136, 137, 199;
277/95; 366/47, 48, 57, 60, 63, 65,
366/76.7, 143, 149, 168.1, 181.3, 185, 192,
366/193, 217, 219, 228, 232, 241-260, 309,
366/326.1, 601, 604, 605
See application file for complete search history.

(56) **References Cited**

U.S. PATENT DOCUMENTS

D205,416 S *	8/1966	Gulotta	D24/220
D239,864 S *	5/1976	Szkaradek	D15/123
D260,650 S *	9/1981	Alviti	D15/147
4,347,004 A *	8/1982	Platts	366/137
4,422,771 A *	12/1983	Earhart et al.	366/251

D343,003 S *	1/1994	Mechler et al.	D24/220
D346,223 S *	4/1994	Mechler et al.	D24/220
5,769,536 A *	6/1998	Kotylak	366/136
6,280,077 B1 *	8/2001	Sullivan, Jr.	366/247
D510,497 S *	10/2005	Hou	D7/300.1
8,104,611 B2 *	1/2012	Helou, Jr.	206/219
D705,287 S *	5/2014	Schmid et al.	D15/147
2011/0104737 A1 *	5/2011	Bonecker	435/29
2011/0249527 A1 *	10/2011	Seiler et al.	366/222
2012/0160718 A1 *	6/2012	Yamaguchi et al.	206/219

* cited by examiner

Primary Examiner — Patricia Palasik

(74) *Attorney, Agent, or Firm* — Dennis R. Haszko

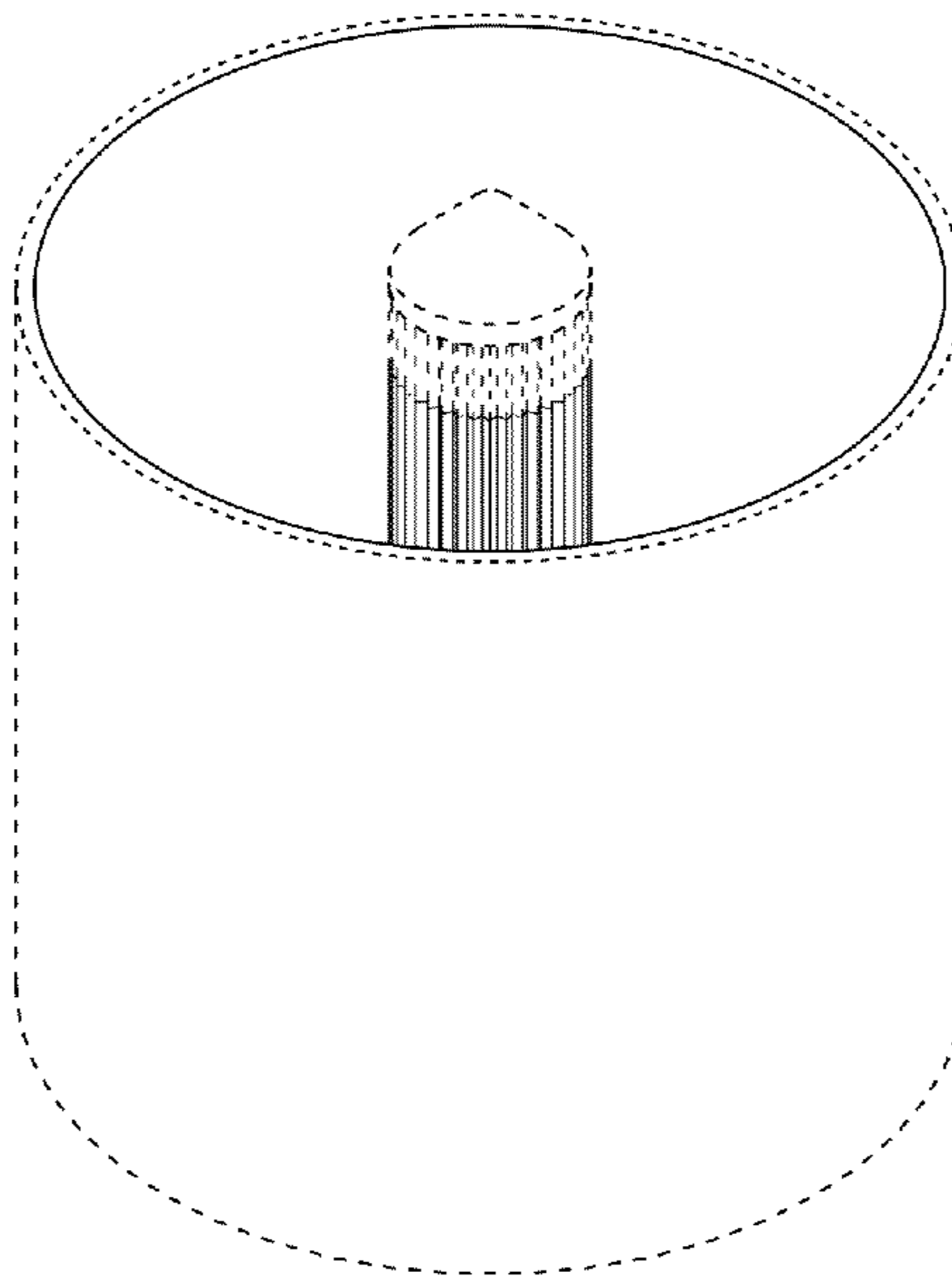
(57) **CLAIM**

The ornamental design for a container for mixer, as shown and described.

DESCRIPTION

FIG. 1 is a perspective view of the container for mixer;
FIG. 2 is a front view thereof;
FIG. 3 is a top view thereof;
FIG. 4 is a bottom view thereof;
FIG. 5 is a right side view thereof;
FIG. 6 is a cross-sectional view thereof along line 6-6 of FIG. 2;
FIG. 7 is a cross-sectional view thereof along line 7-7 of FIG. 2; and,
FIG. 8 is a cross-sectional view thereof along lines 8-8 of FIG. 3.
The portions shown in broken lines do not form part of the design.

1 Claim, 4 Drawing Sheets



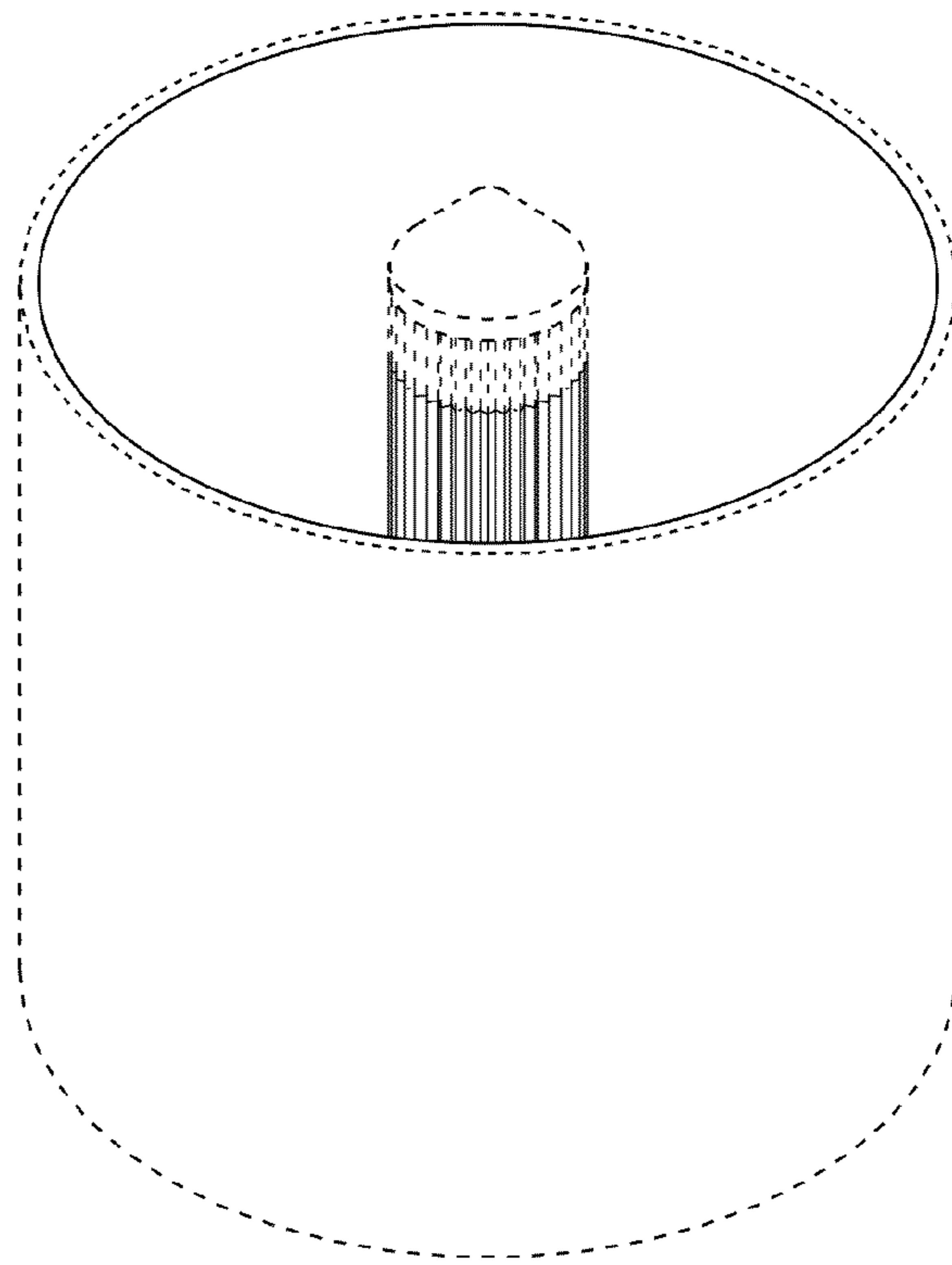


FIG. 1

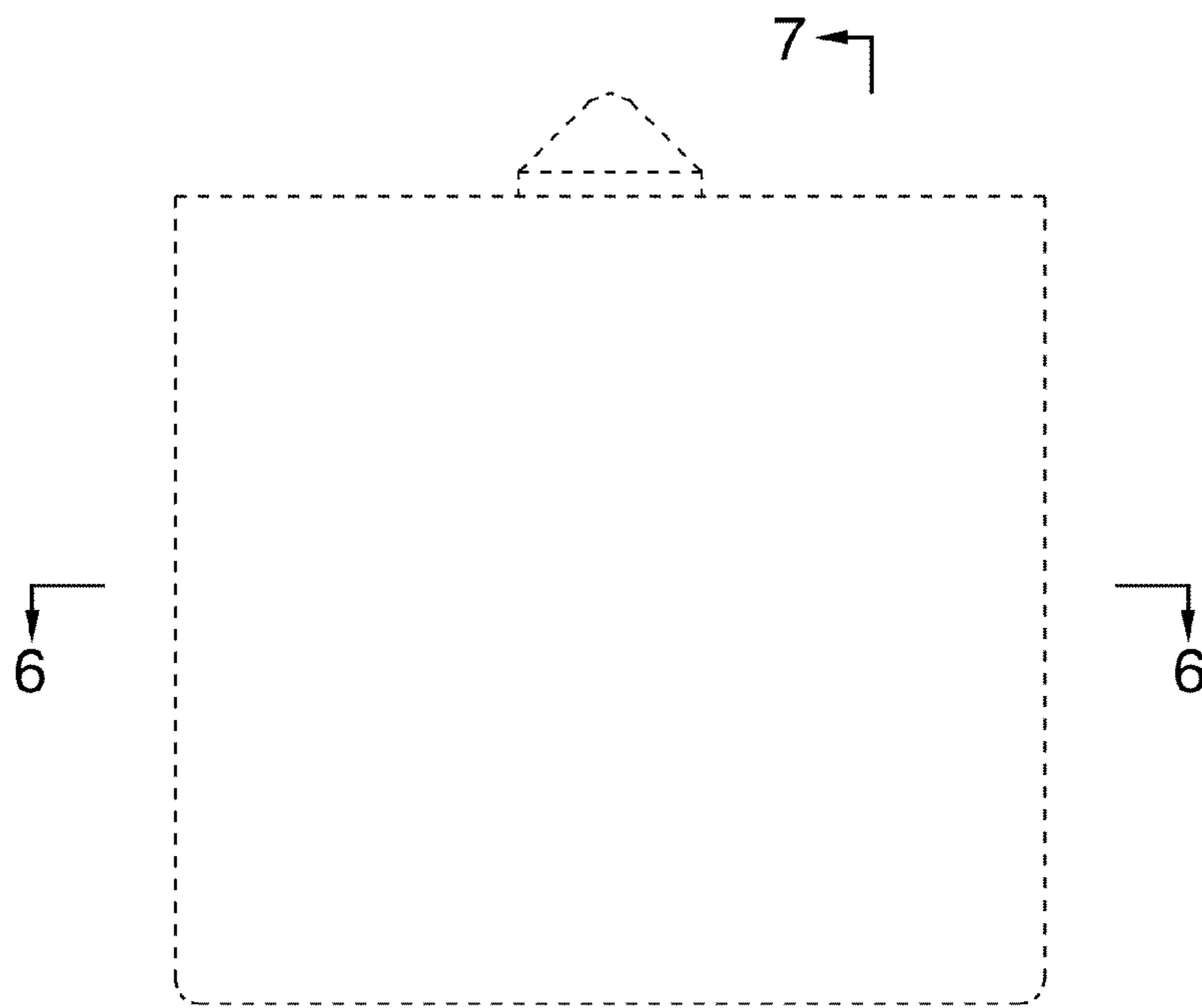


FIG. 2

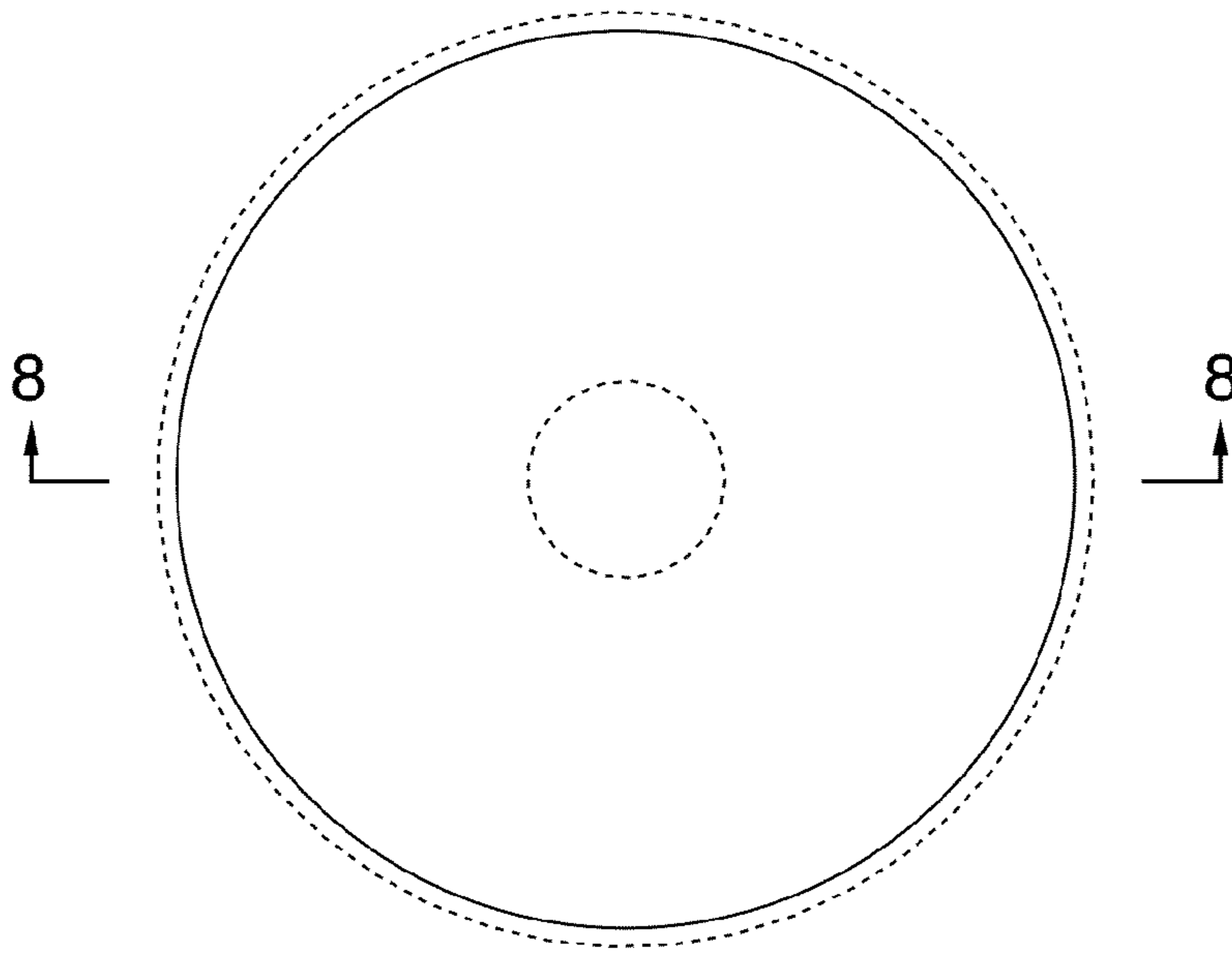


FIG.3

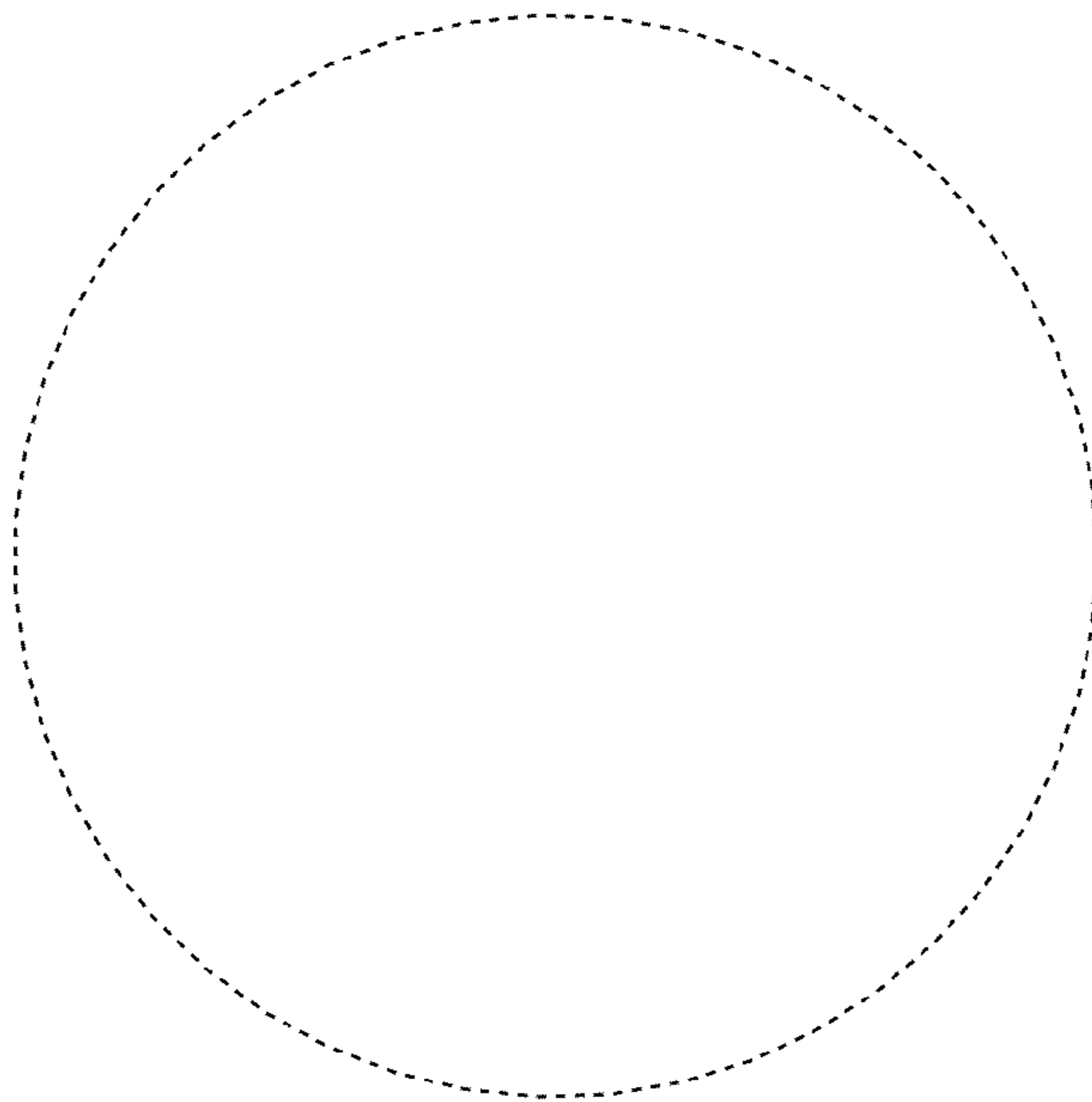


FIG.4

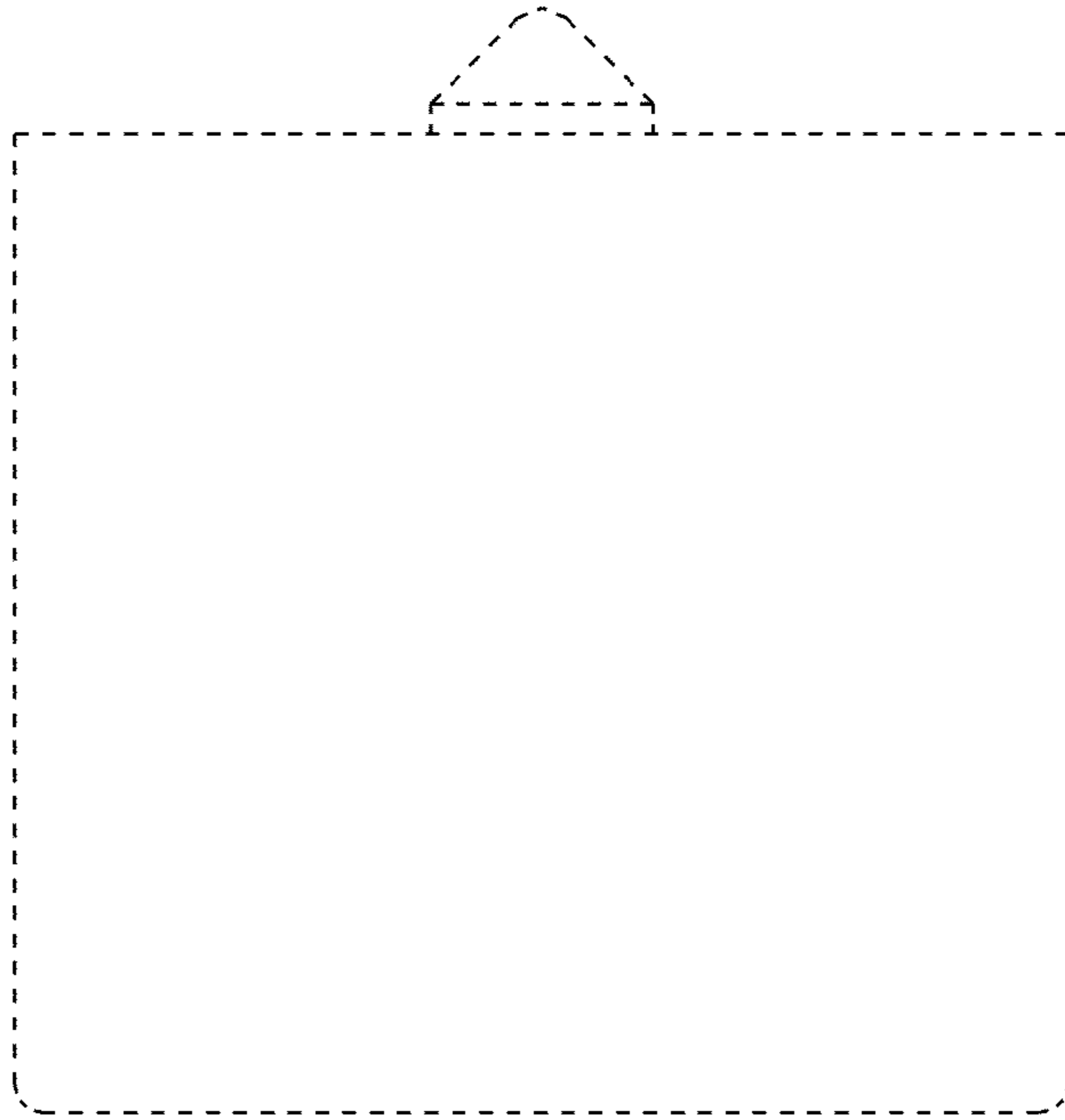


FIG. 5

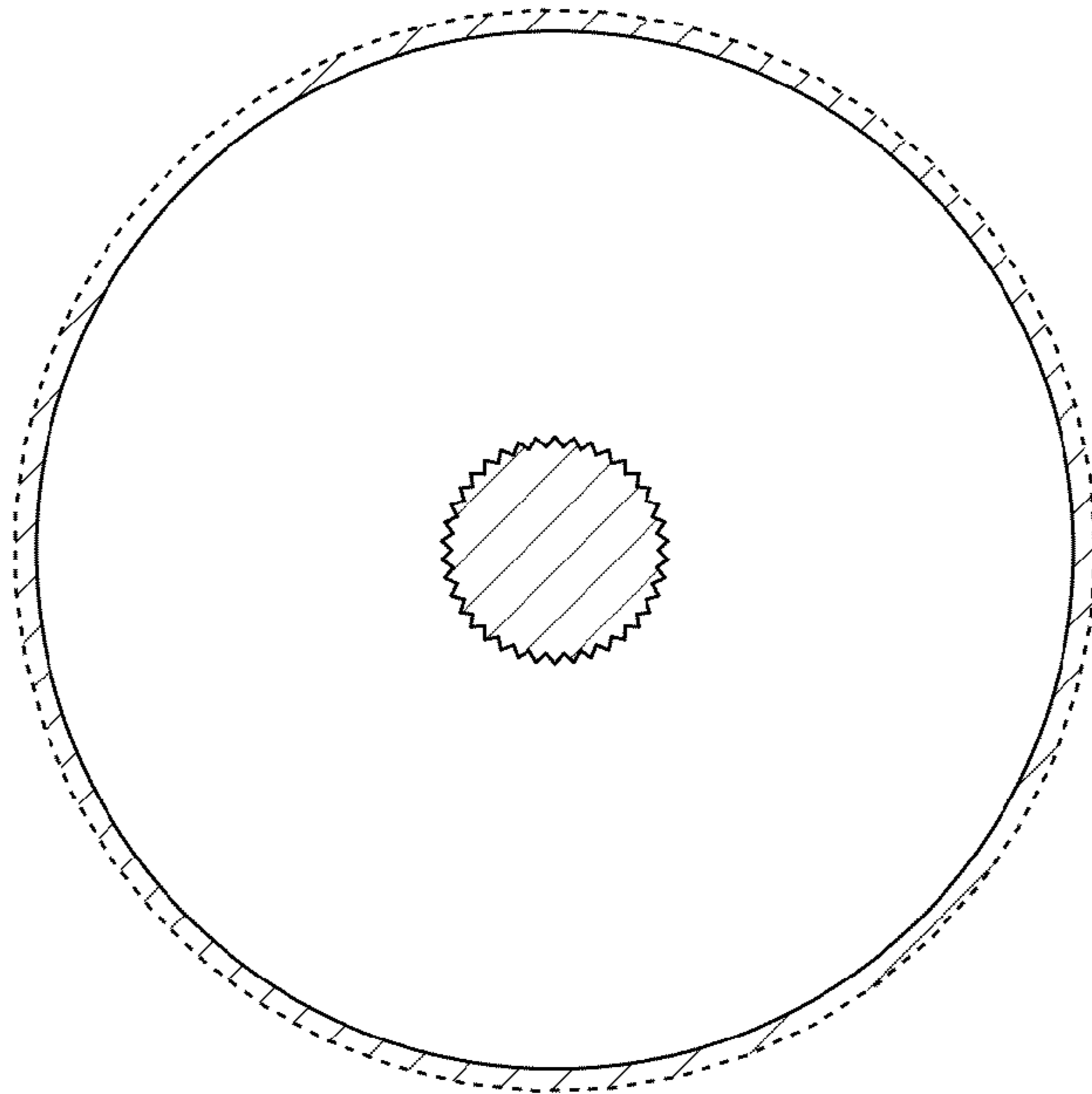


FIG. 6

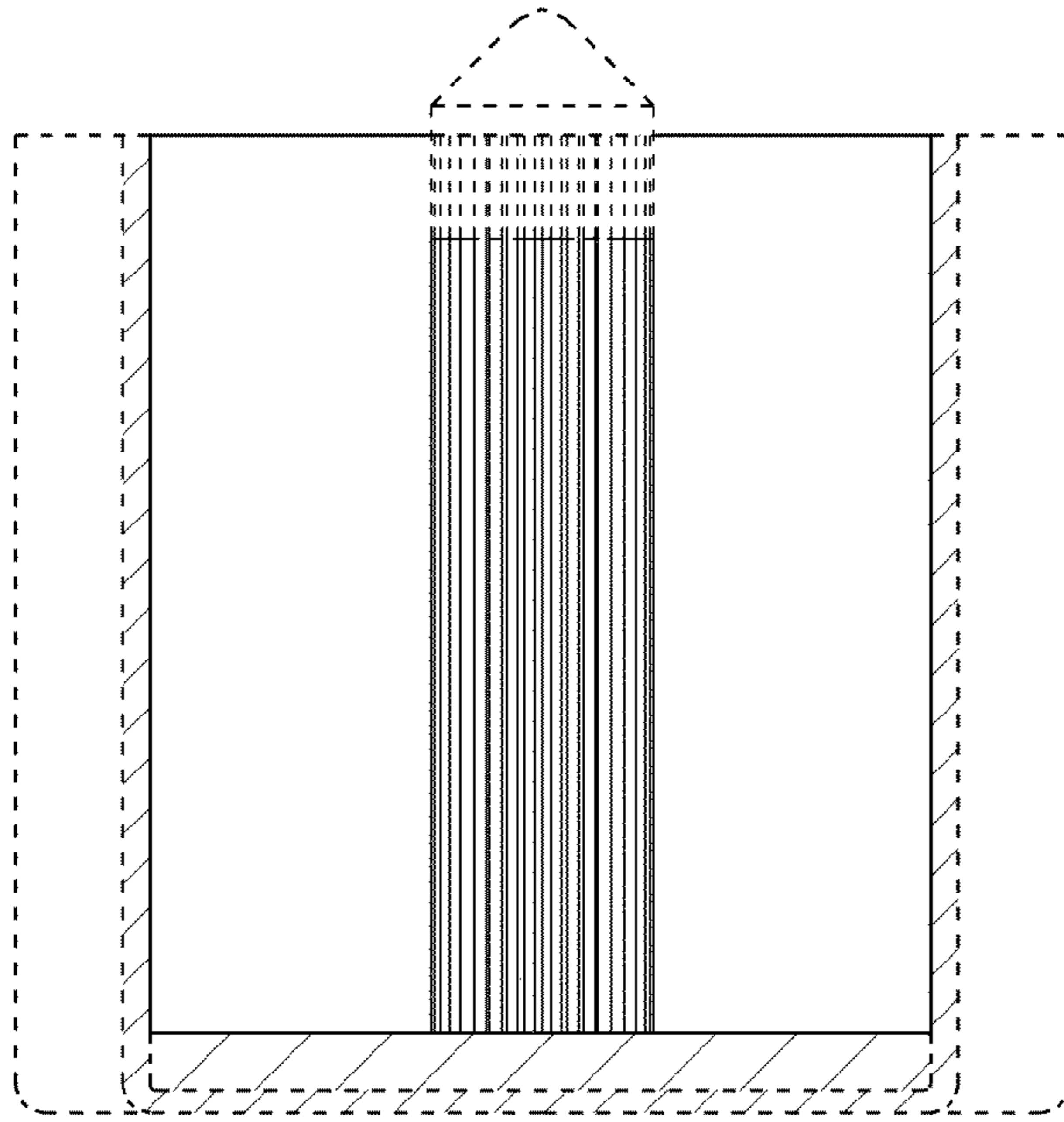


FIG. 7

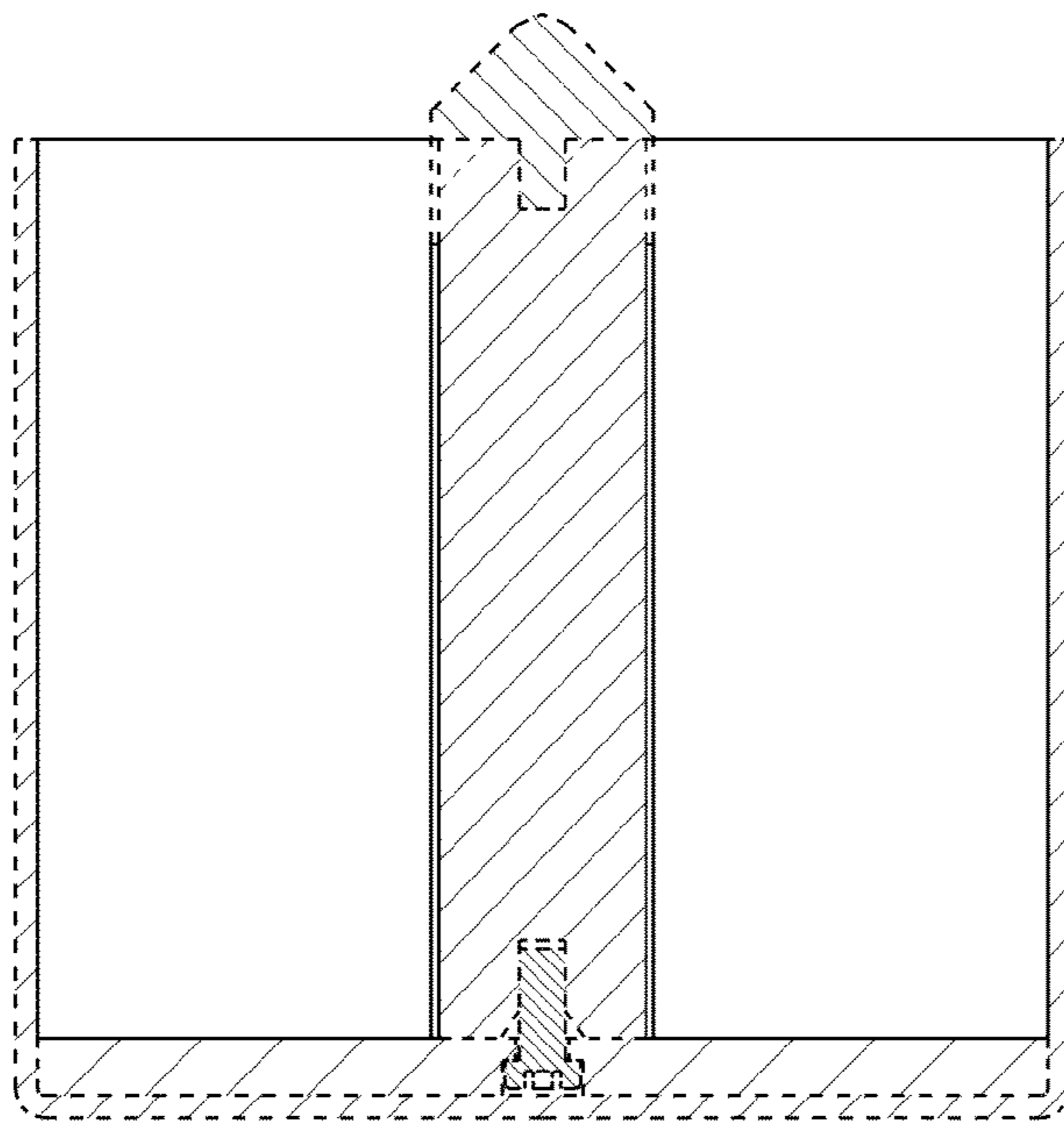


FIG. 8