



US00D715342S

(12) **United States Design Patent**
Fundakowski et al.

(10) **Patent No.:** **US D715,342 S**
(45) **Date of Patent:** **** Oct. 14, 2014**

(54) **BIT HOLDER**

(75) Inventors: **Anne K. Fundakowski**, Roseville, MN (US); **Benjamin T. Schafer**, Elk River, MN (US); **David N. Peterson**, Brooklyn Park, MN (US)

(73) Assignee: **Caterpillar Paving Product Inc.**, Minneapolis, MN (US)

(**) Term: **14 Years**

(21) Appl. No.: **29/428,495**

(22) Filed: **Jul. 31, 2012**

(51) **LOC (10) Cl.** **15-09**

(52) **U.S. Cl.**
USPC **D15/140**

(58) **Field of Classification Search**
USPC D8/70, 71; D15/138, 139, 140; 37/456;
299/102-103, 106-110; 403/362;
411/82.2, 82.5, 257, 258, 901-903,
411/914, 916, 930

See application file for complete search history.

(56) **References Cited**

U.S. PATENT DOCUMENTS

D167,473	S	*	8/1952	Muller-munk	D15/140
4,262,917	A	*	4/1981	Ottestad	279/4.01
D293,798	S	*	1/1988	Johnson	D15/140
D429,262	S	*	8/2000	Streich	D15/140
D488,170	S	*	4/2004	Sollami	D15/21
D558,241	S	*	12/2007	Chiang	D15/139
7,455,303	B2	*	11/2008	Draudt et al.	279/63
D635,429	S	*	4/2011	Hakki	D8/70
D638,453	S	*	5/2011	Buhr et al.	D15/140
D684,833	S	*	6/2013	Baumann	D8/70

D693,390	S	*	11/2013	Wachsmann et al.	D15/140
8,622,483	B2	*	1/2014	Sollami	299/102
2003/0193235	A1	*	10/2003	Sollami	299/106
2014/0027987	A1	*	1/2014	Wienhold	279/74

* cited by examiner

Primary Examiner — Patricia Palasik

(74) *Attorney, Agent, or Firm* — Finnegan, Henderson, Farabow, Garrett & Dunner LLP

(57) **CLAIM**

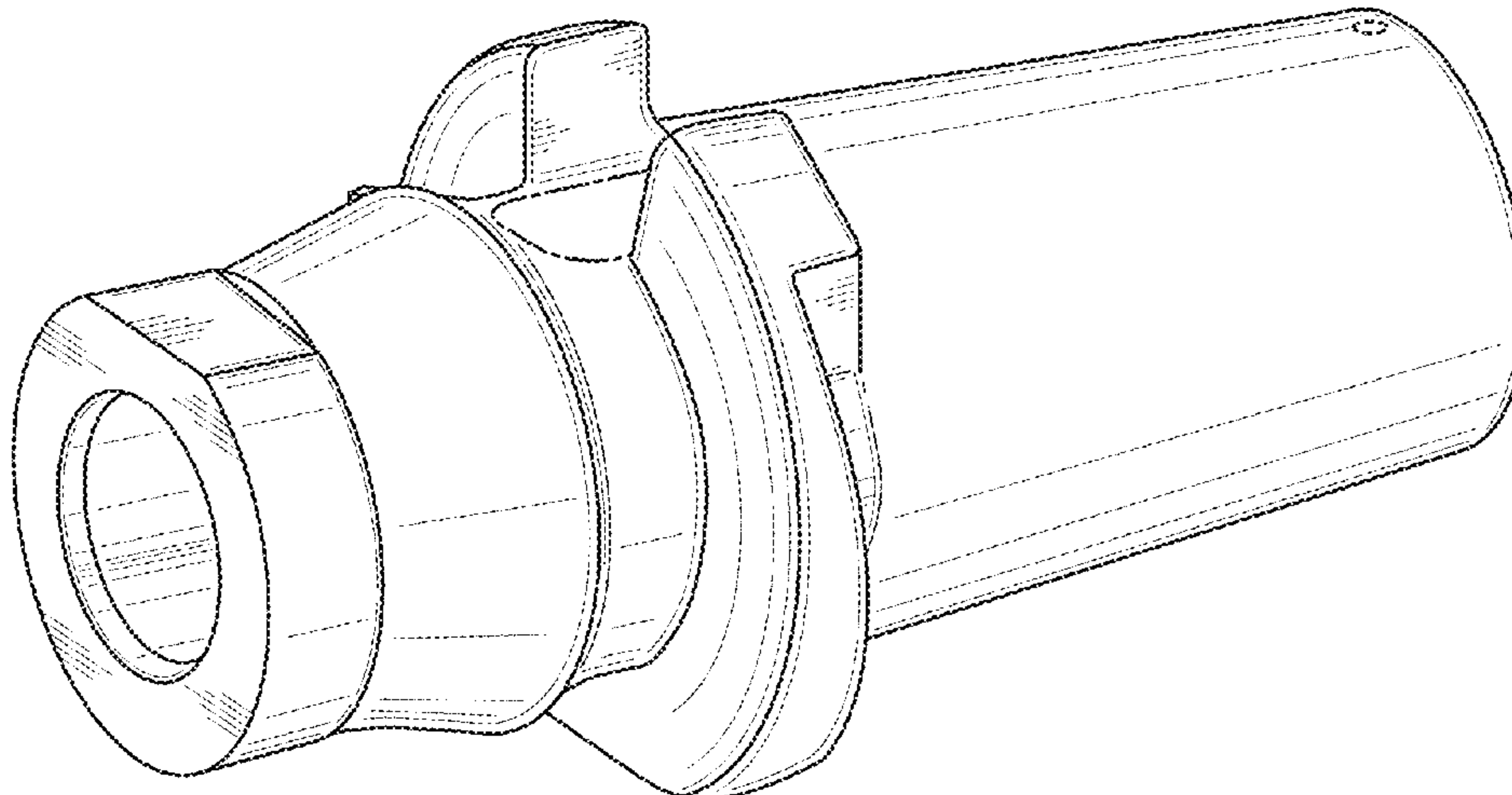
The ornamental design for a bit holder, as shown and described.

DESCRIPTION

FIG. 1 is a perspective view of a first embodiment of a bit holder showing our new design; FIG. 2 is right side view thereof; FIG. 3 is a top plan view thereof; FIG. 4 is a left side view thereof; FIG. 5 is a bottom view thereof; FIG. 6 is a rear end view thereof; FIG. 7 is a front end view thereof; FIG. 8 a perspective view of a second embodiment of a bit holder showing our new design; FIG. 9 is a right side view thereof; FIG. 10 is a top plan view thereof; FIG. 11 is a left side view thereof; FIG. 12 is a bottom view thereof; FIG. 13 is a rear view thereof; and, FIG. 14 is a front view thereof.

The broken lines of even length shown in the drawings illustrate portions of the bit holder that form no part of the claimed design. The broken lines of uneven length set out the outer boundary of the claimed design.

1 Claim, 8 Drawing Sheets



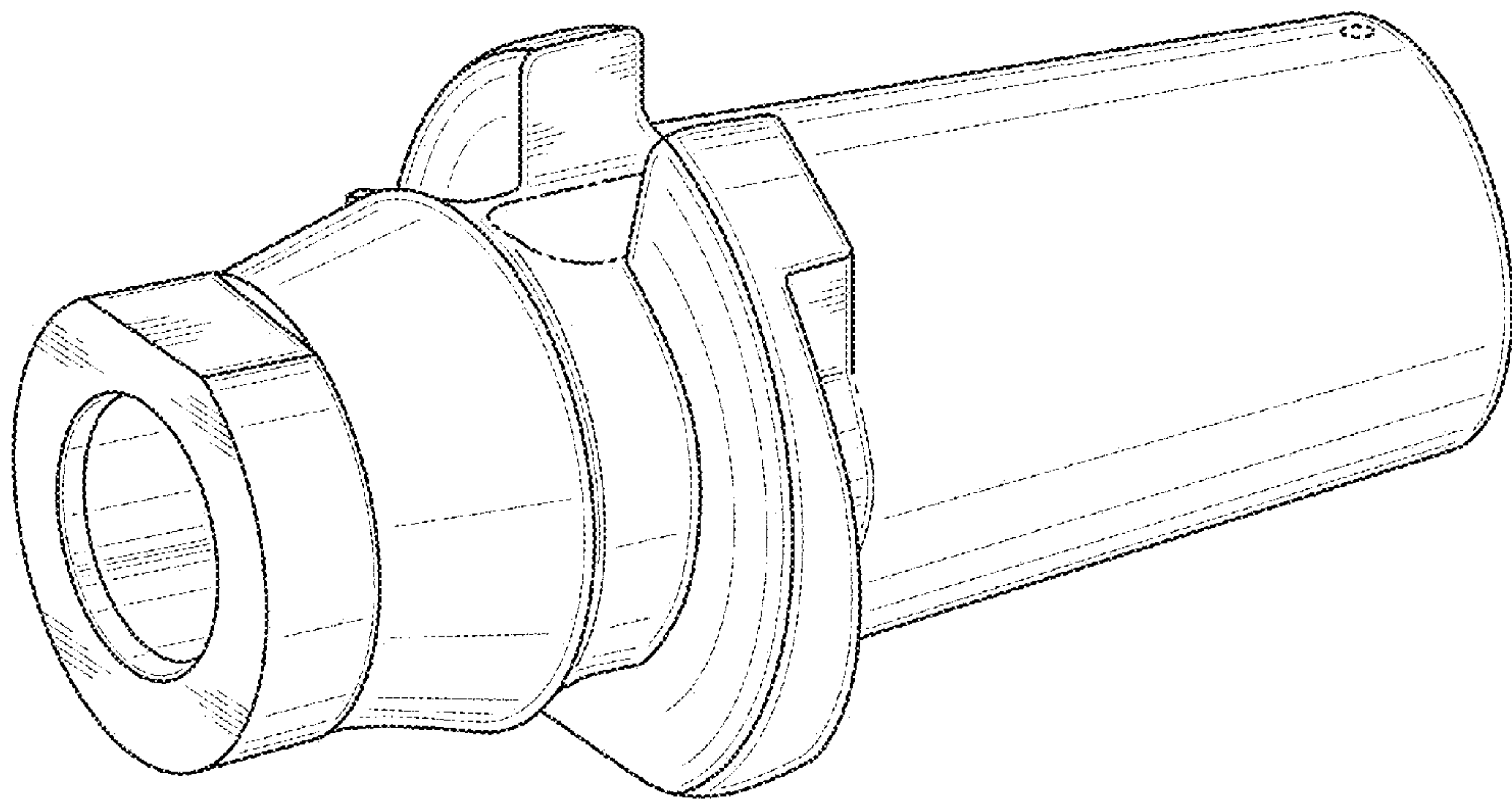


FIG. 1

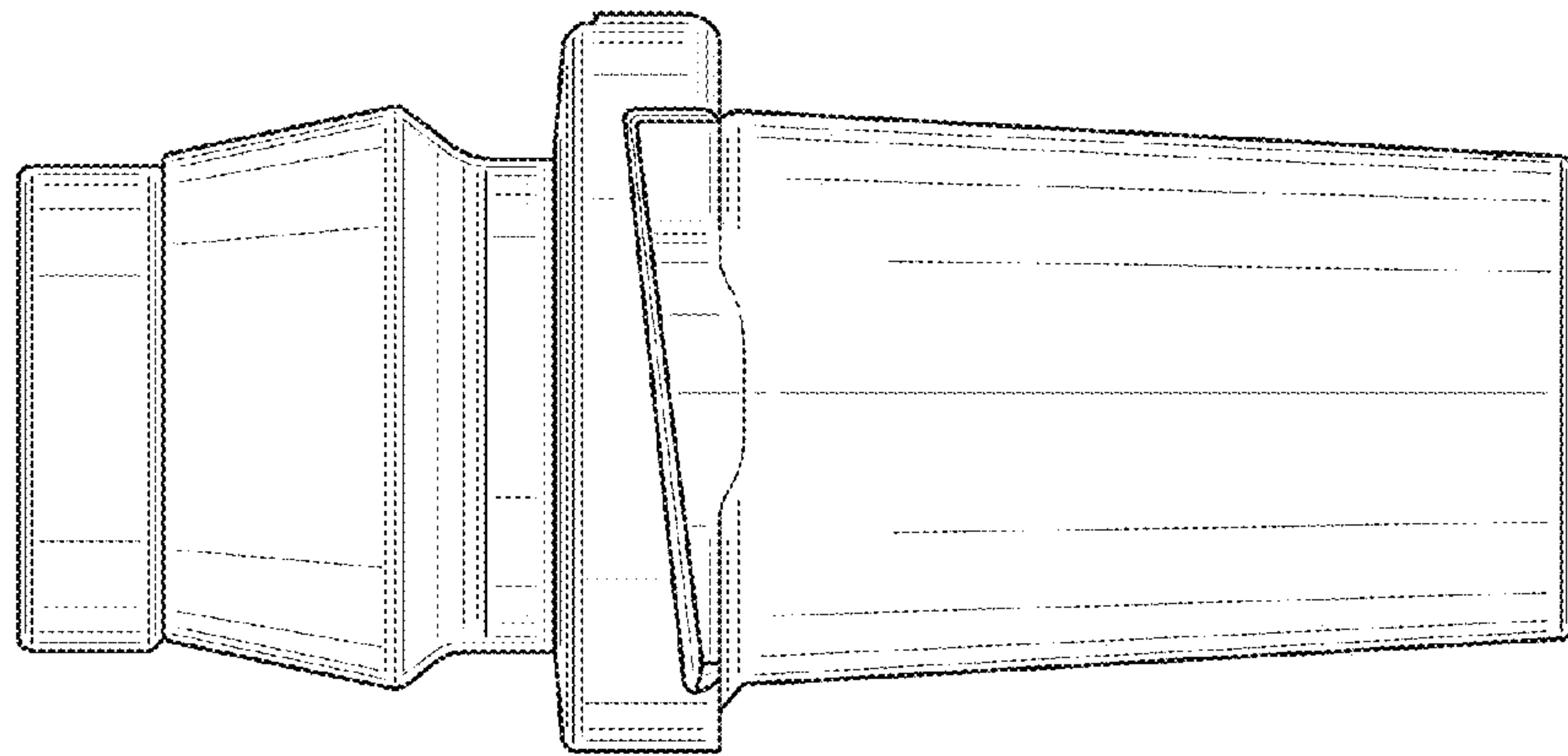


FIG. 2

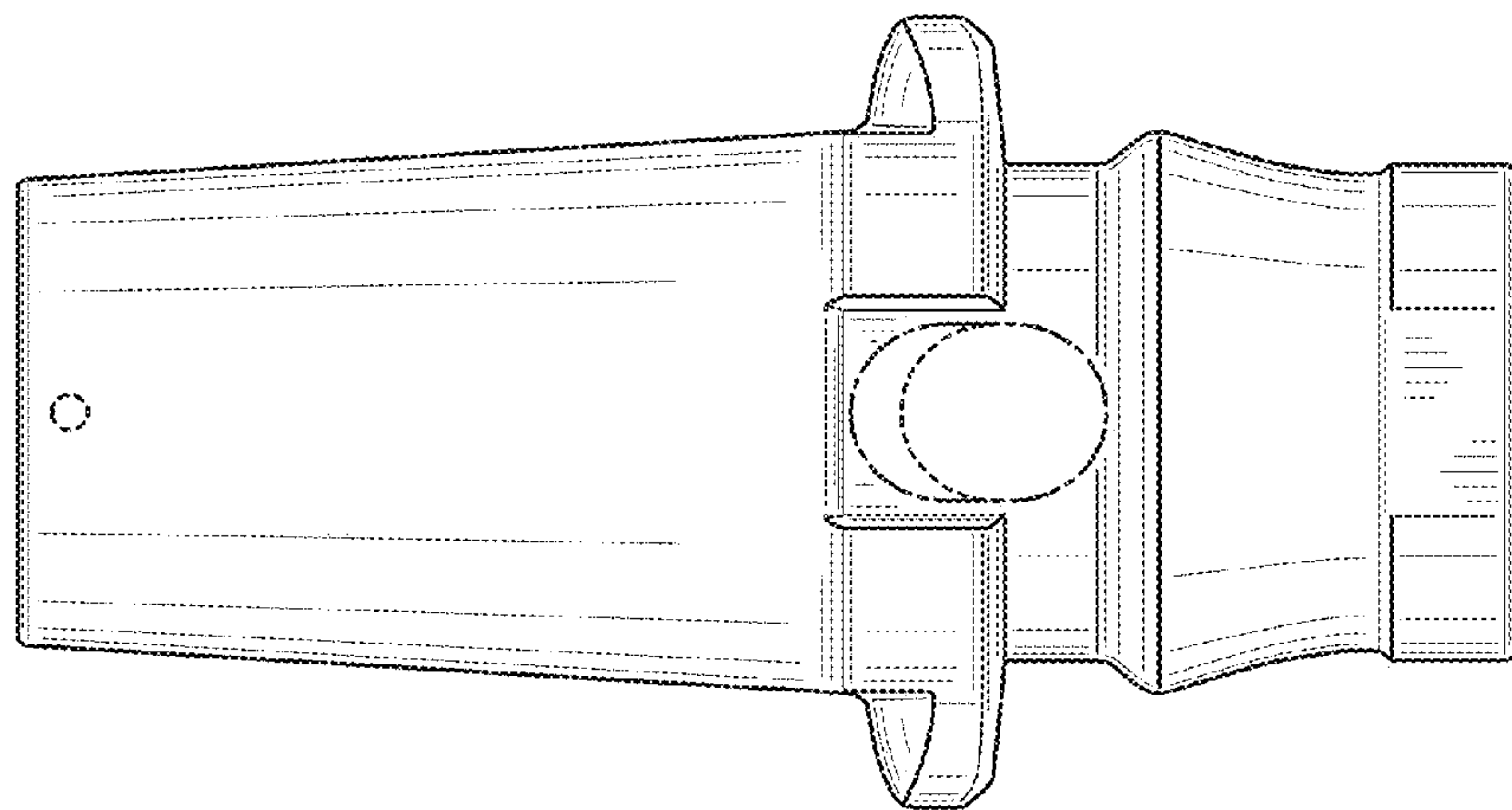


FIG. 3

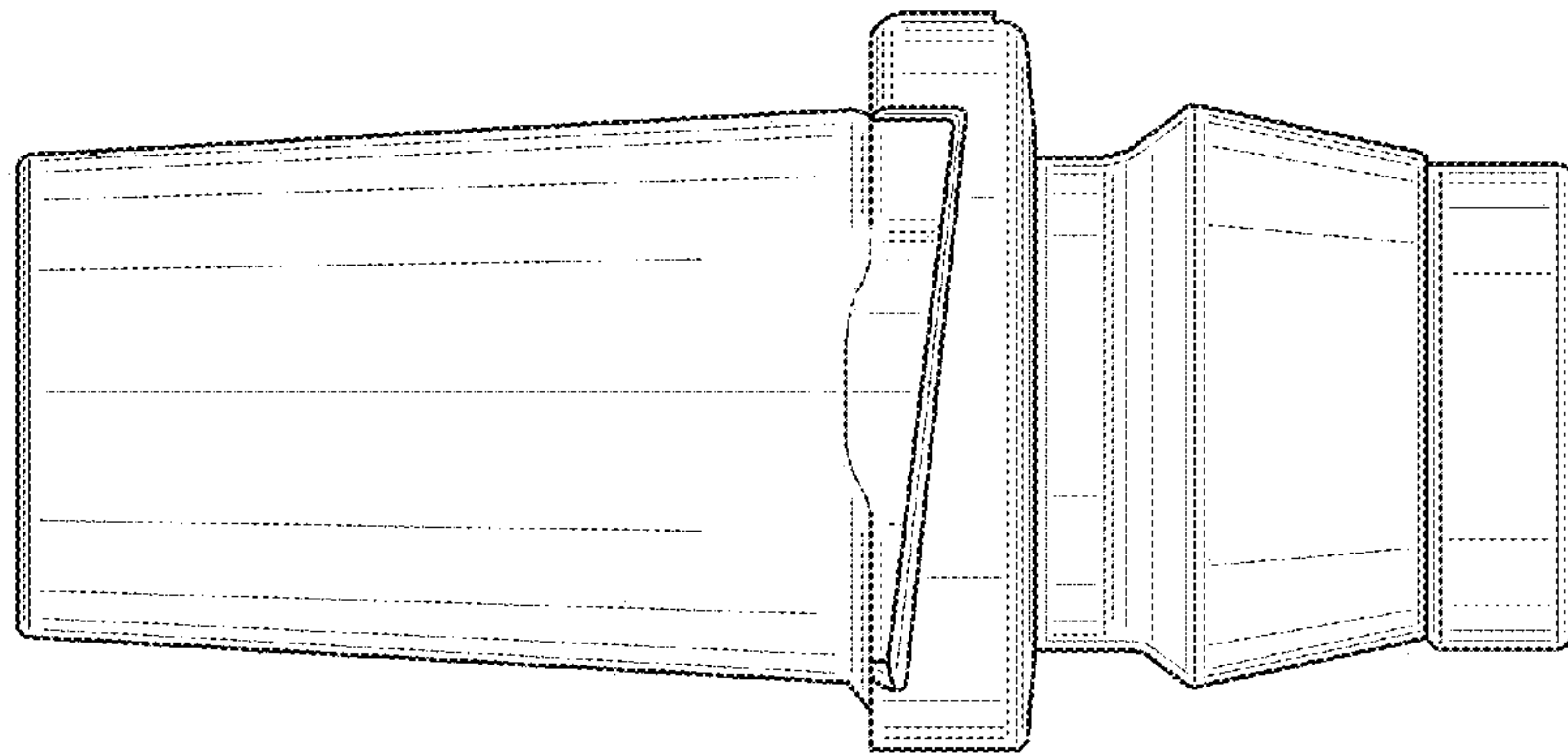


FIG. 4

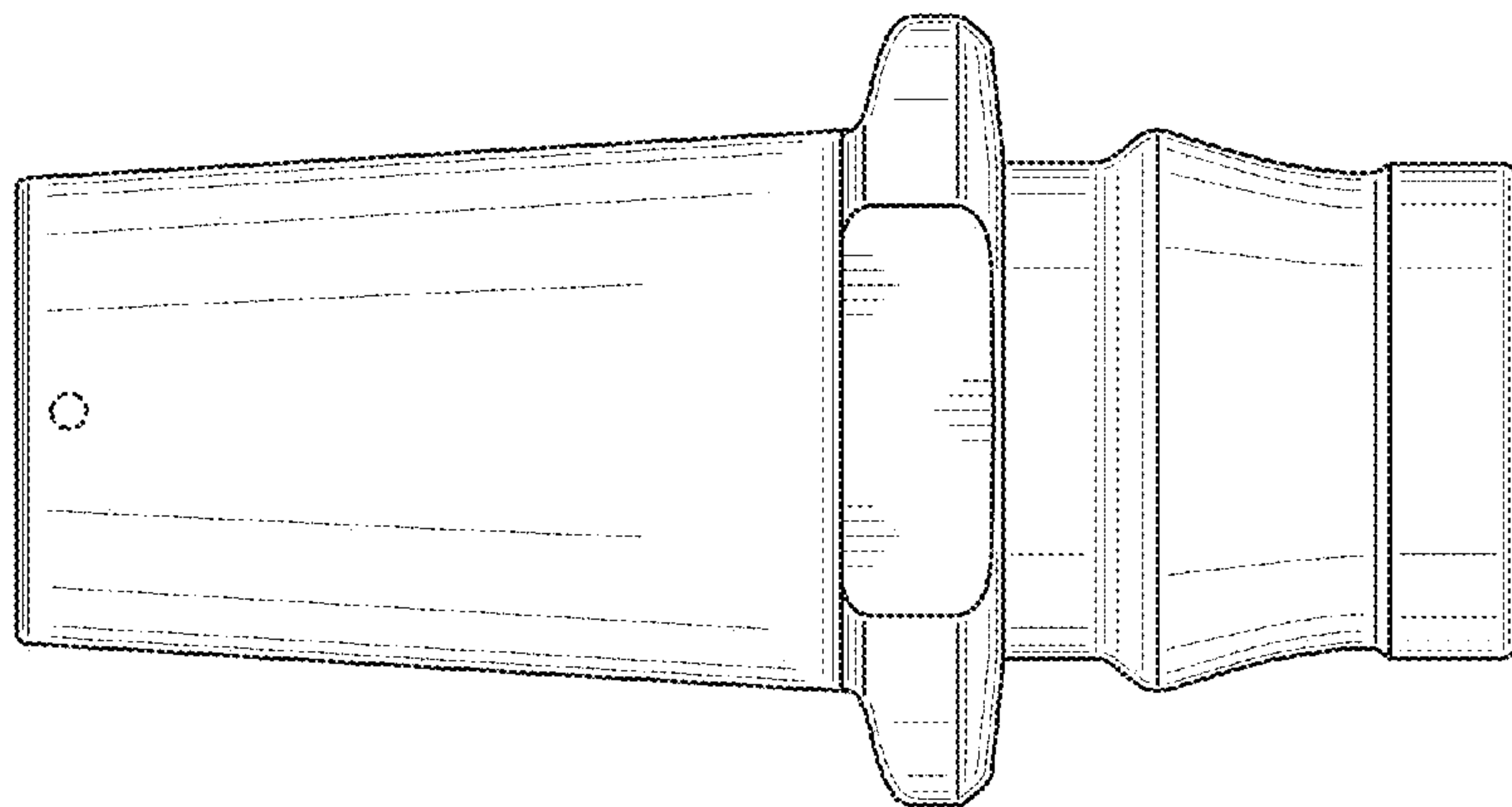


FIG. 5

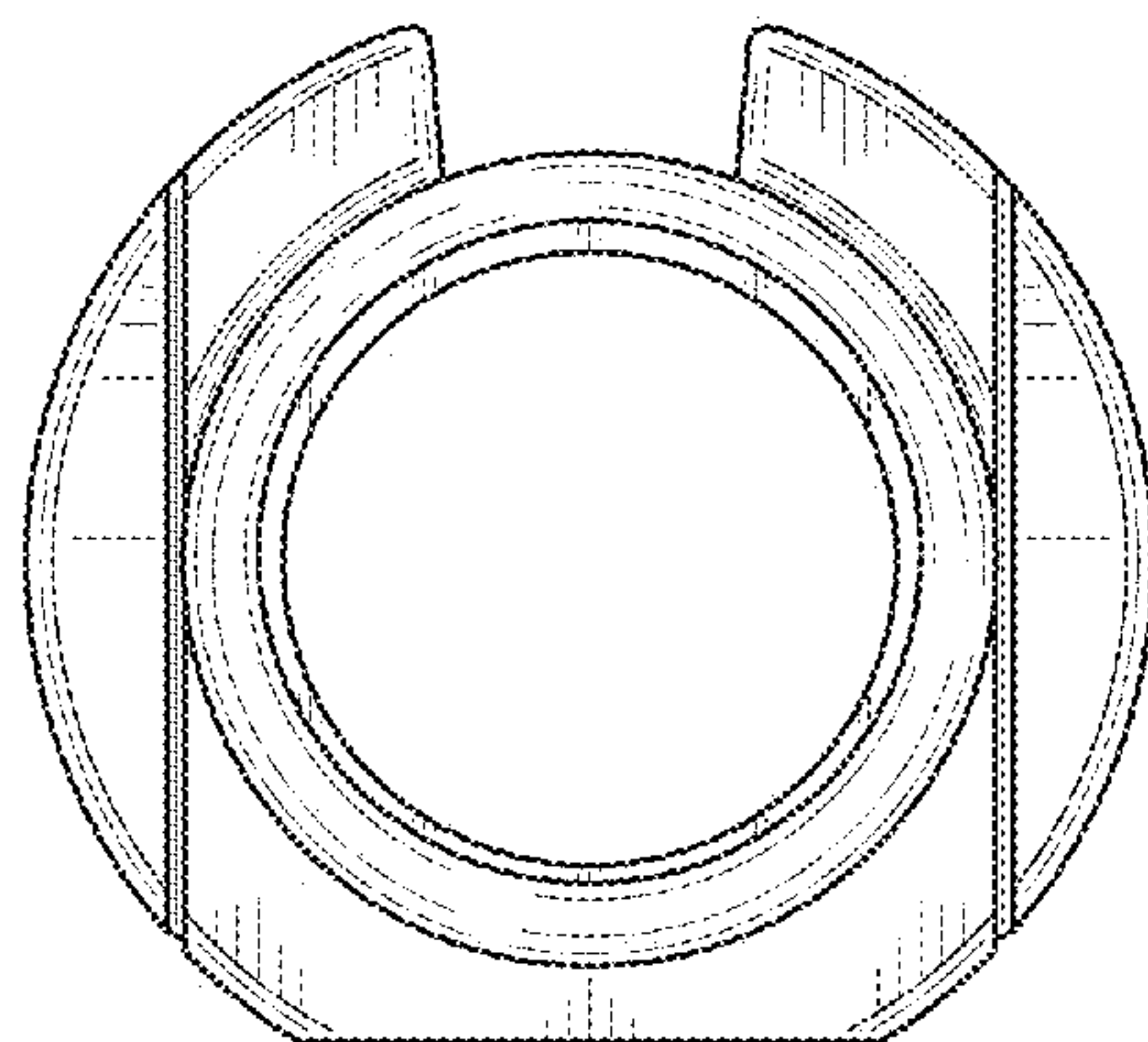


FIG. 6

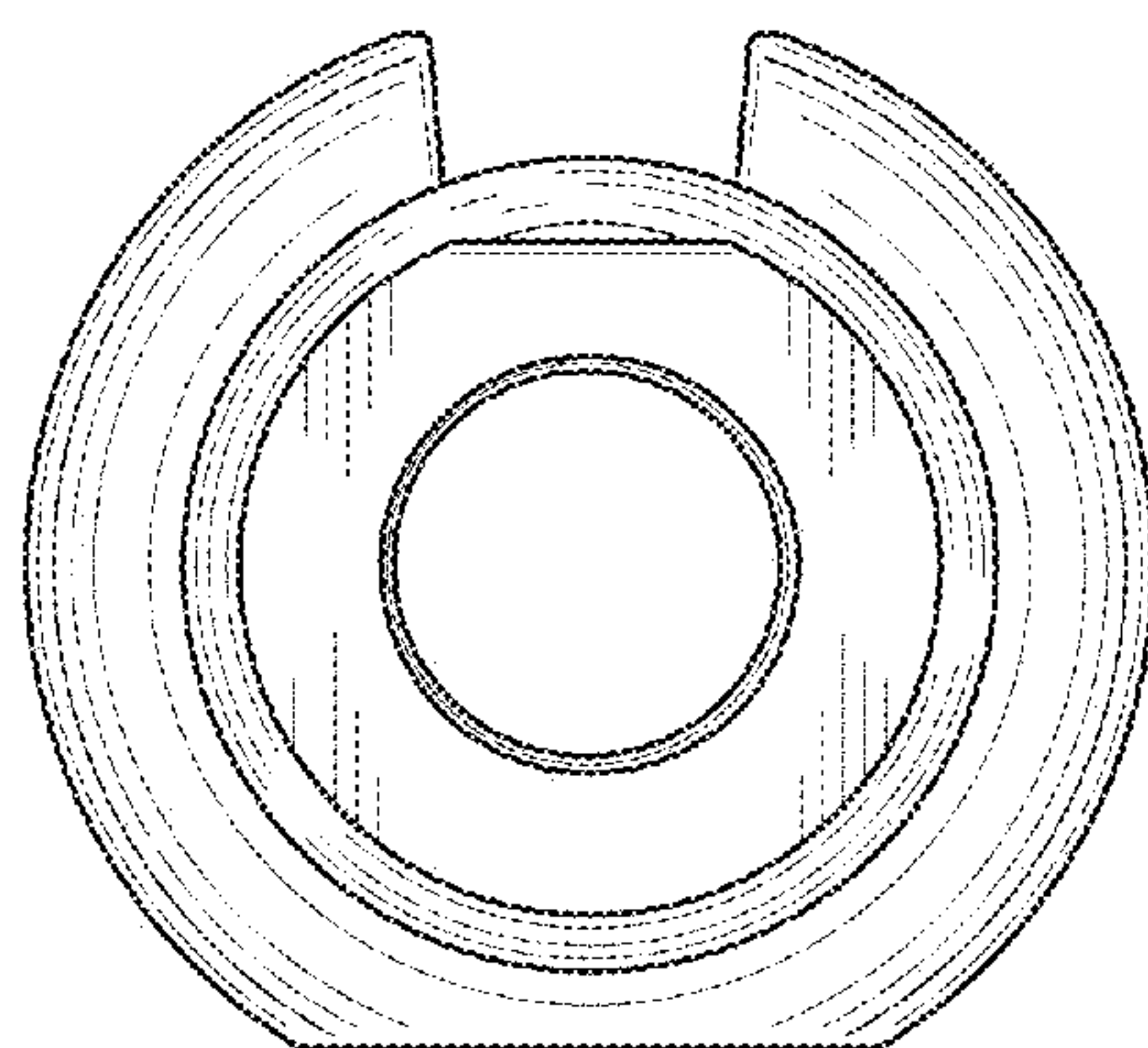


FIG. 7

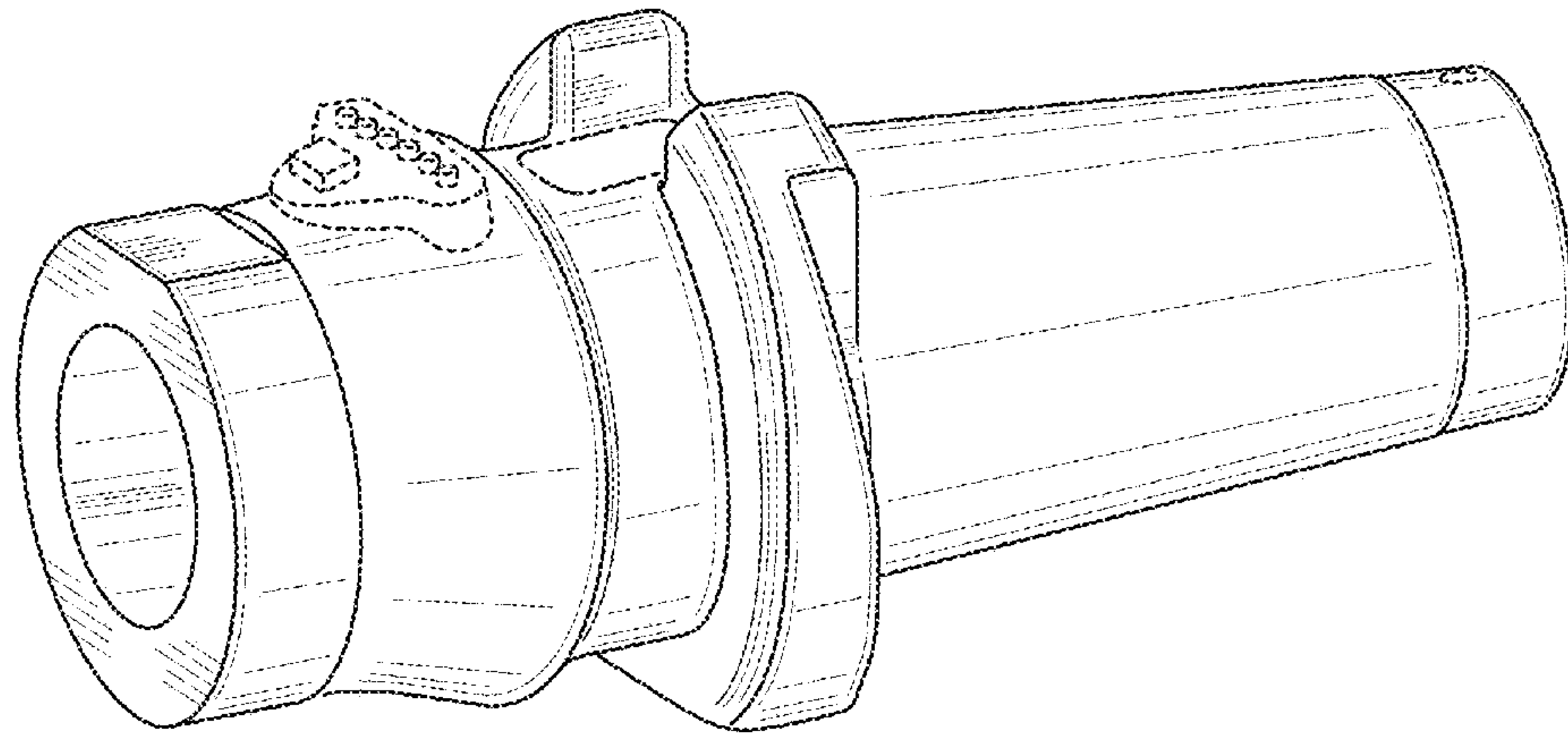


FIG. 8

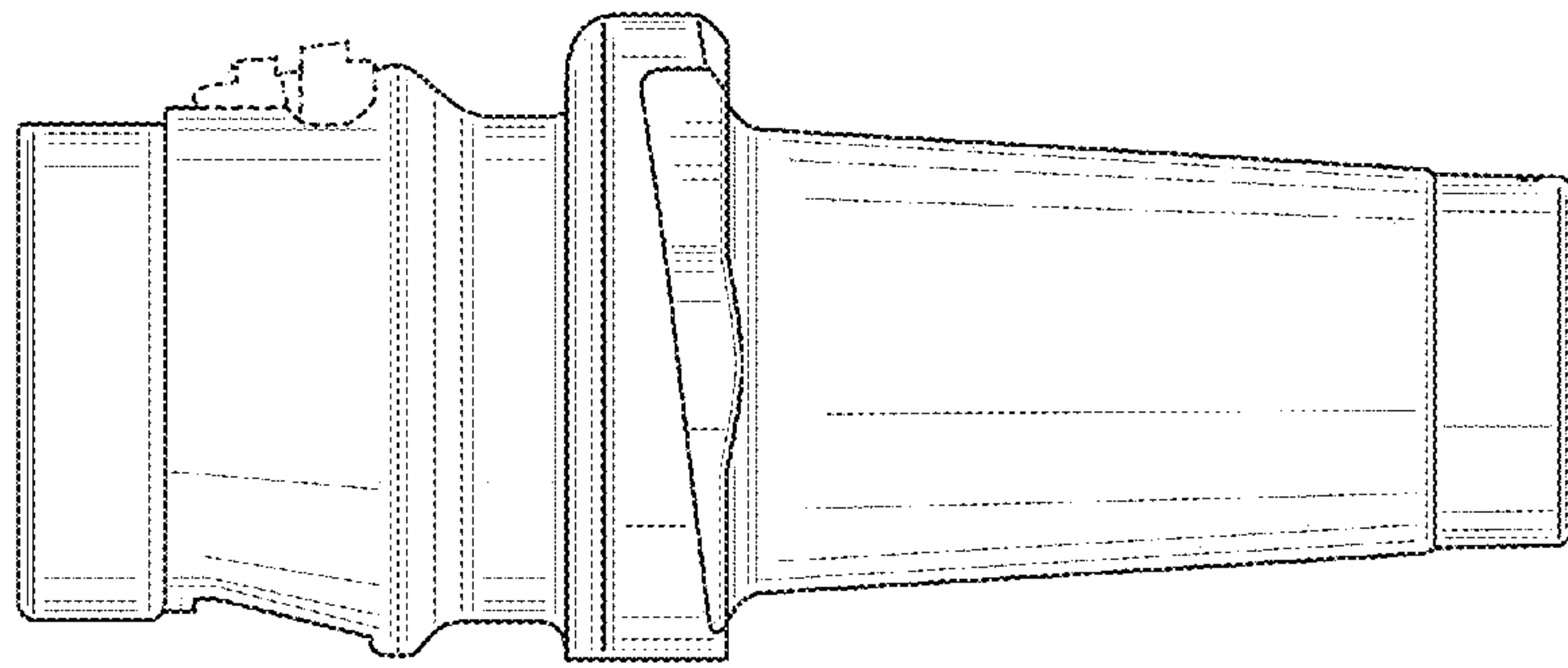


FIG. 9

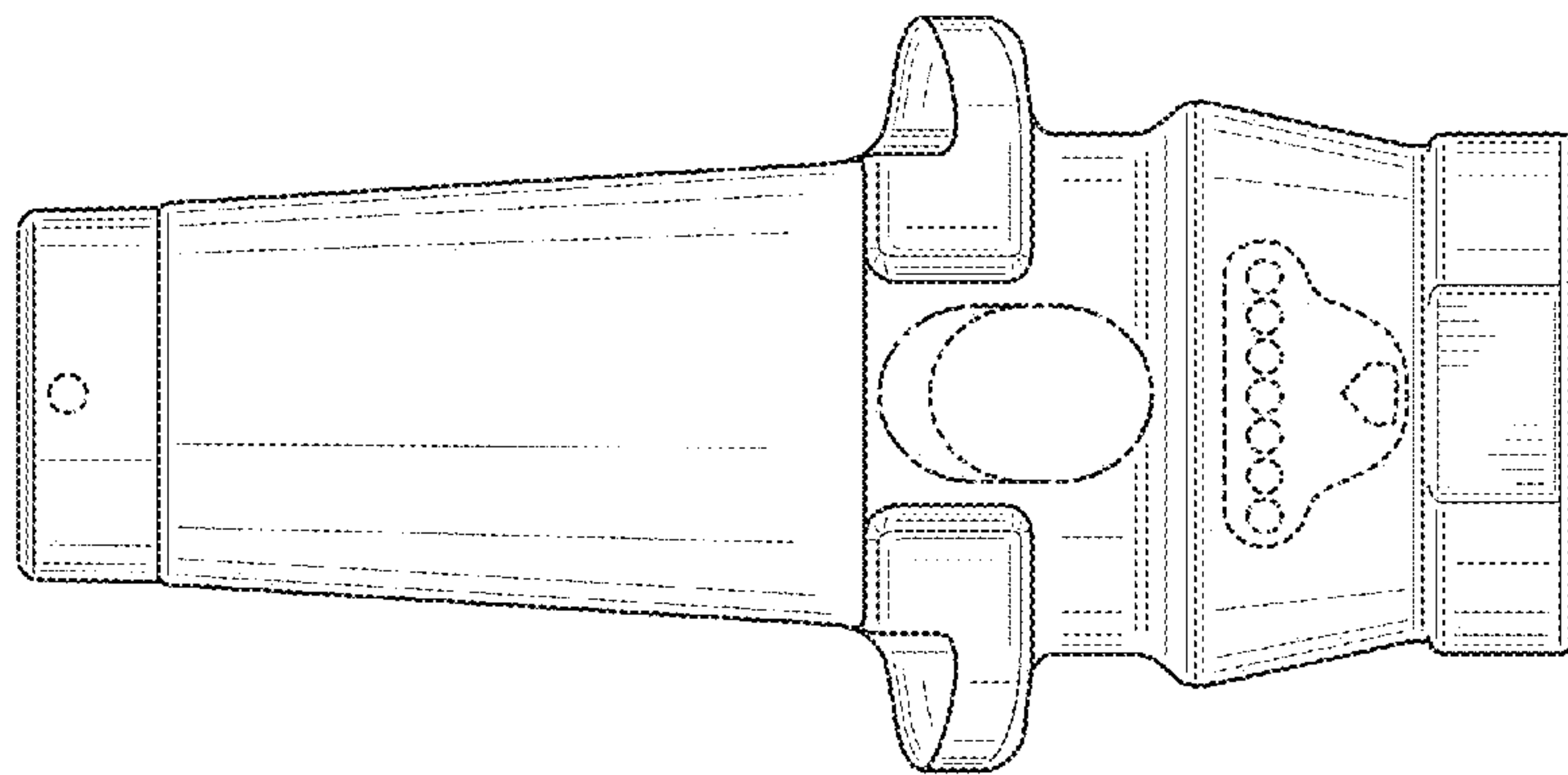


FIG. 10

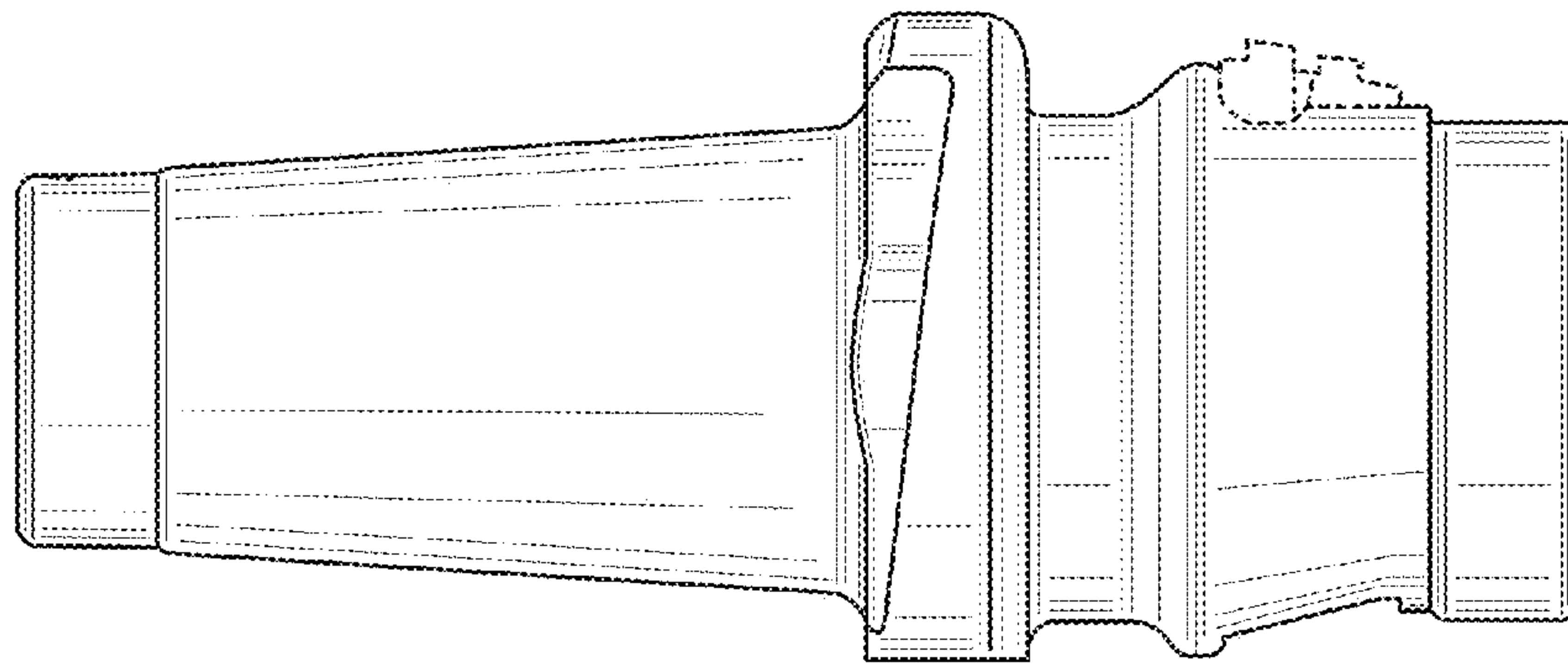


FIG. 11

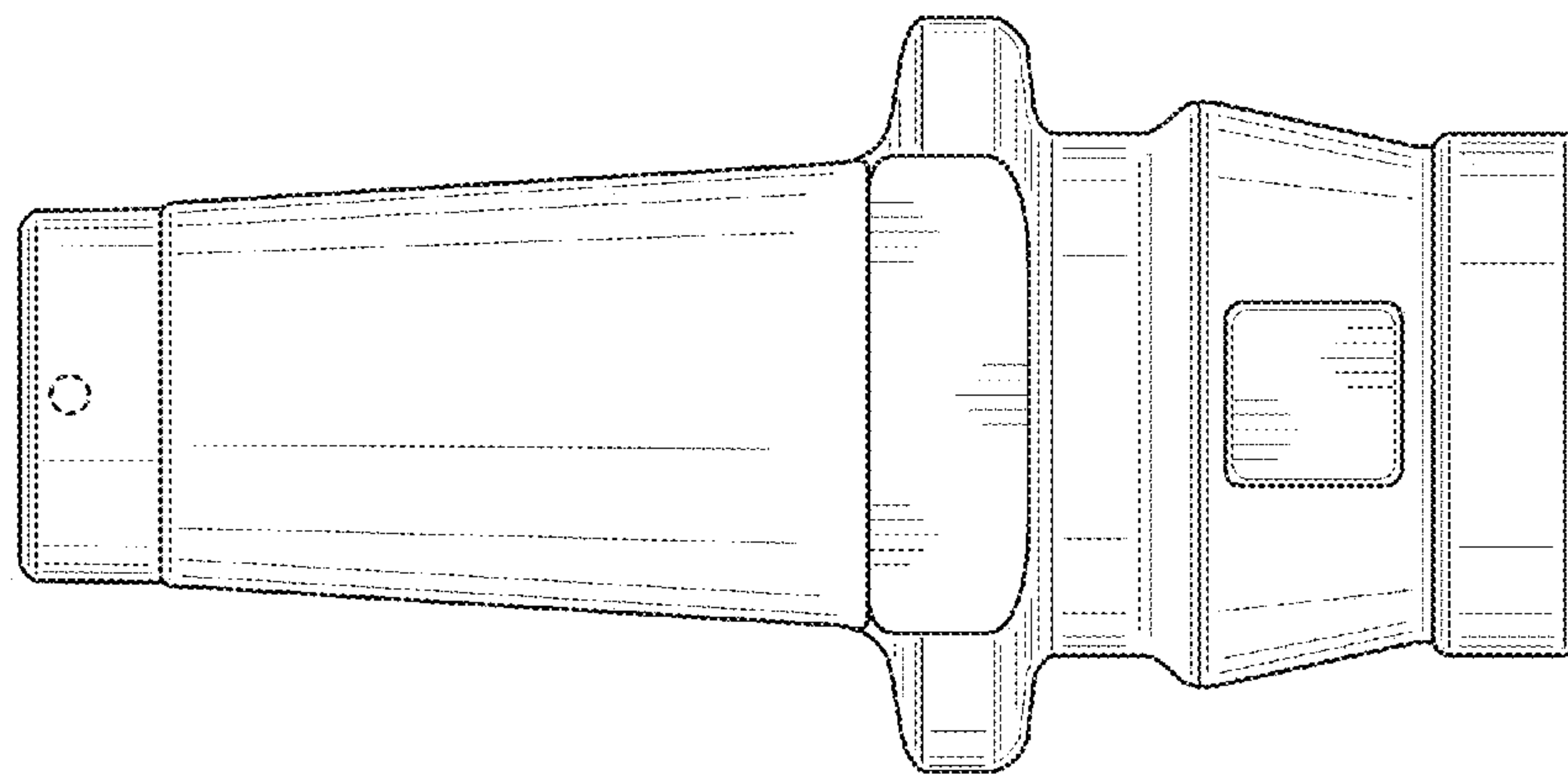


FIG. 12

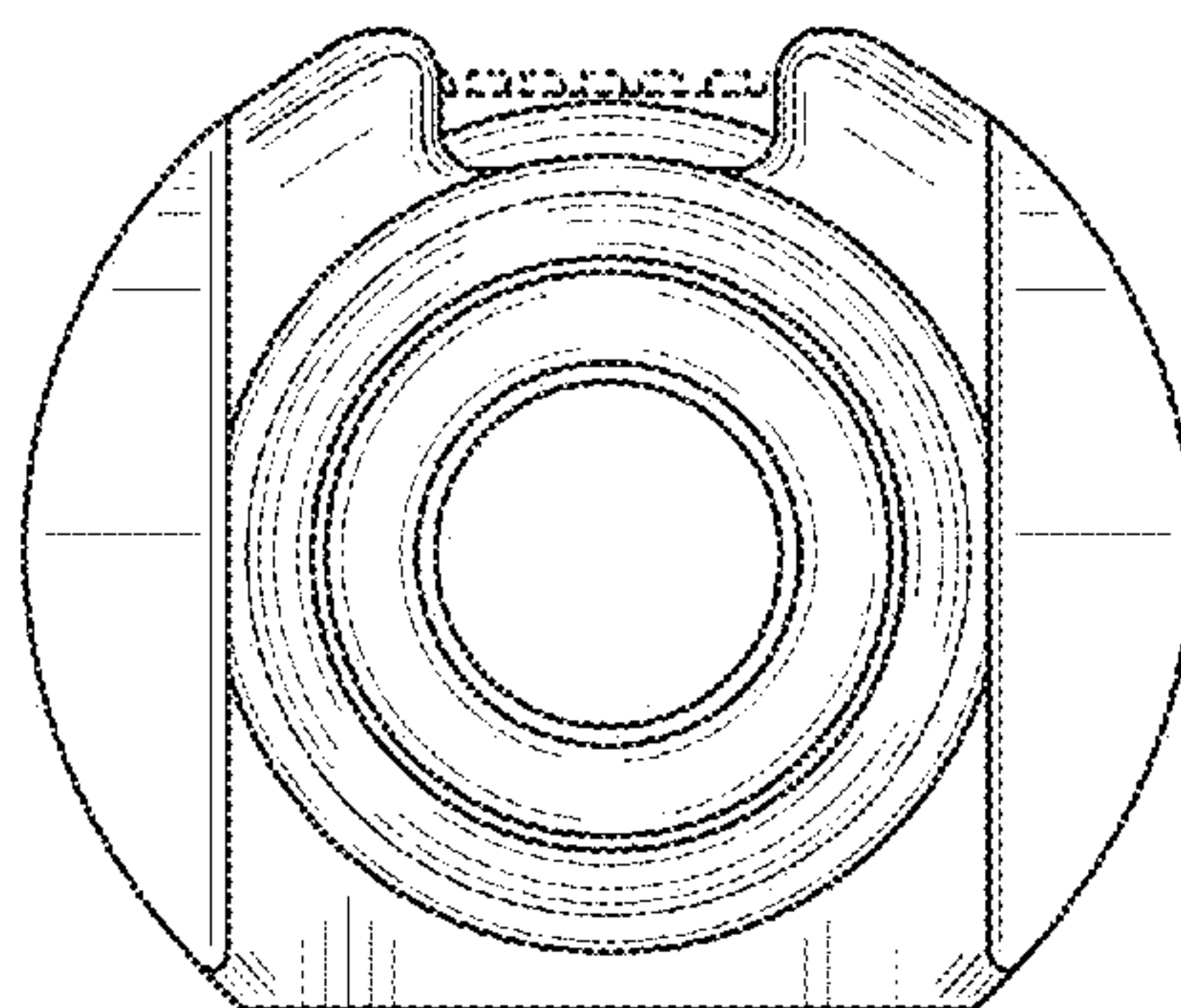


FIG. 13

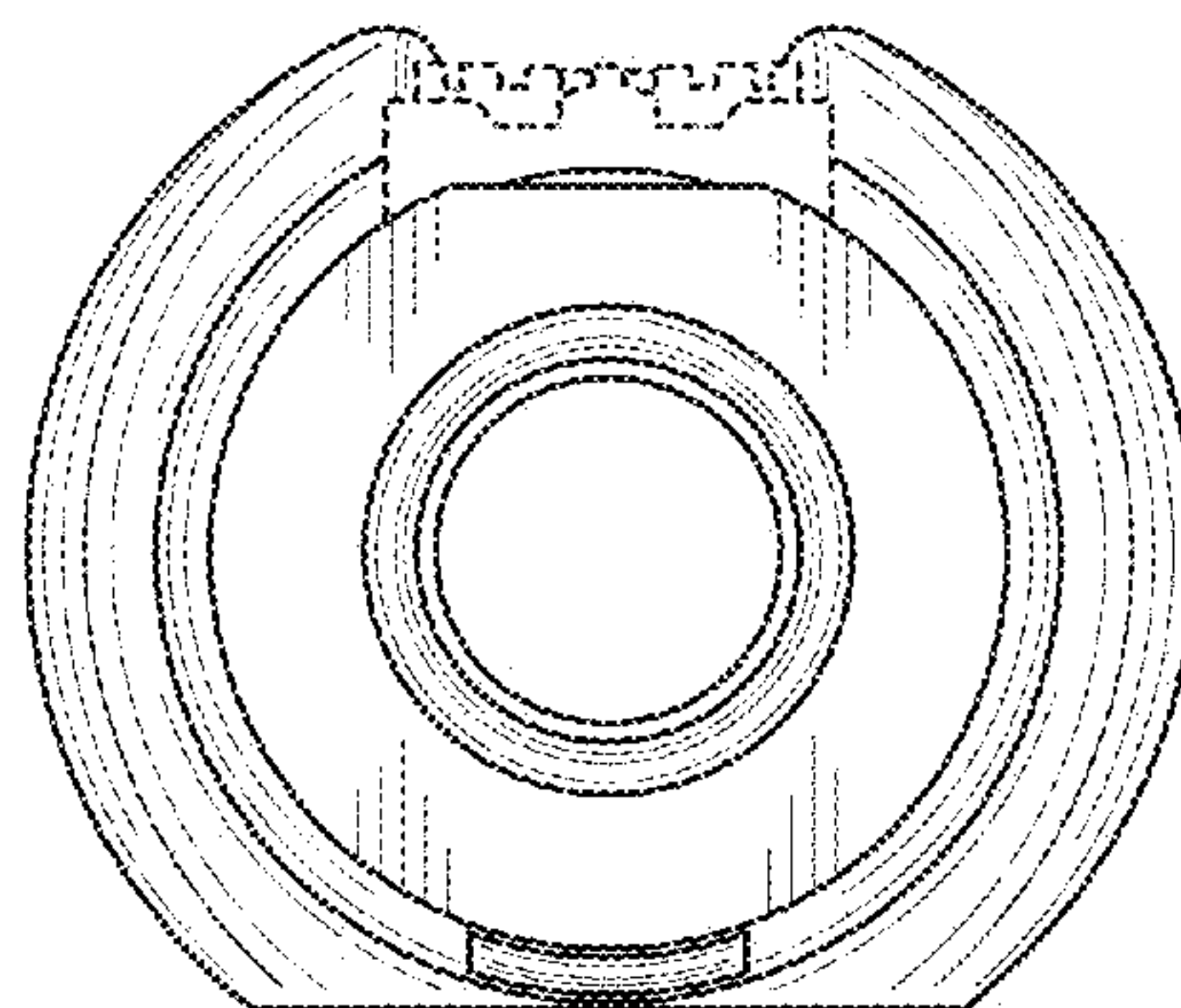


FIG. 14