



US00D715341S

(12) **United States Design Patent**
Schell

(10) **Patent No.:** **US D715,341 S**

(45) **Date of Patent:** **** Oct. 14, 2014**

(54) **CUTTER CHAIN**

(71) Applicant: **Andreas Stihl AG & Co. KG,**
Waiblingen (DE)

(72) Inventor: **Berthold Schell,** Backnang (DE)

(73) Assignee: **Andreas Stihl AG & Co. KG,**
Waiblingen (DE)

(**) Term: **14 Years**

(21) Appl. No.: **29/485,882**

(22) Filed: **Mar. 24, 2014**

(30) **Foreign Application Priority Data**

Sep. 24, 2013 (EM) 002314252-0001

(51) **LOC (10) Cl.** **15-09**

(52) **U.S. Cl.**
USPC **D15/139**

(58) **Field of Classification Search**
USPC D8/70, 71; D15/131, 138, 139, 140;
407/35, 42, 112-119
See application file for complete search history.

(56) **References Cited**

U.S. PATENT DOCUMENTS

4,643,065 A * 2/1987 MacGavin 83/830
5,215,072 A * 6/1993 Scott 125/21

D416,567 S * 11/1999 Vogelsanger D15/139
D442,459 S * 5/2001 Wilkinson D8/98
D491,205 S * 6/2004 Bailey D15/139
D509,519 S * 9/2005 Sollami D15/139
D514,144 S * 1/2006 Sollami D15/139
D514,145 S * 1/2006 Sollami D15/139
D605,209 S * 12/2009 Jonsson et al. D15/139
D605,672 S * 12/2009 Allen et al. D15/139
7,661,911 B2 * 2/2010 Zeiler et al. 408/1 R
D643,448 S * 8/2011 Barnes et al. D15/139
8,651,005 B2 * 2/2014 Yancey et al. 83/853

* cited by examiner

Primary Examiner — Patricia Palasik

(74) *Attorney, Agent, or Firm* — McGuireWoods LLP

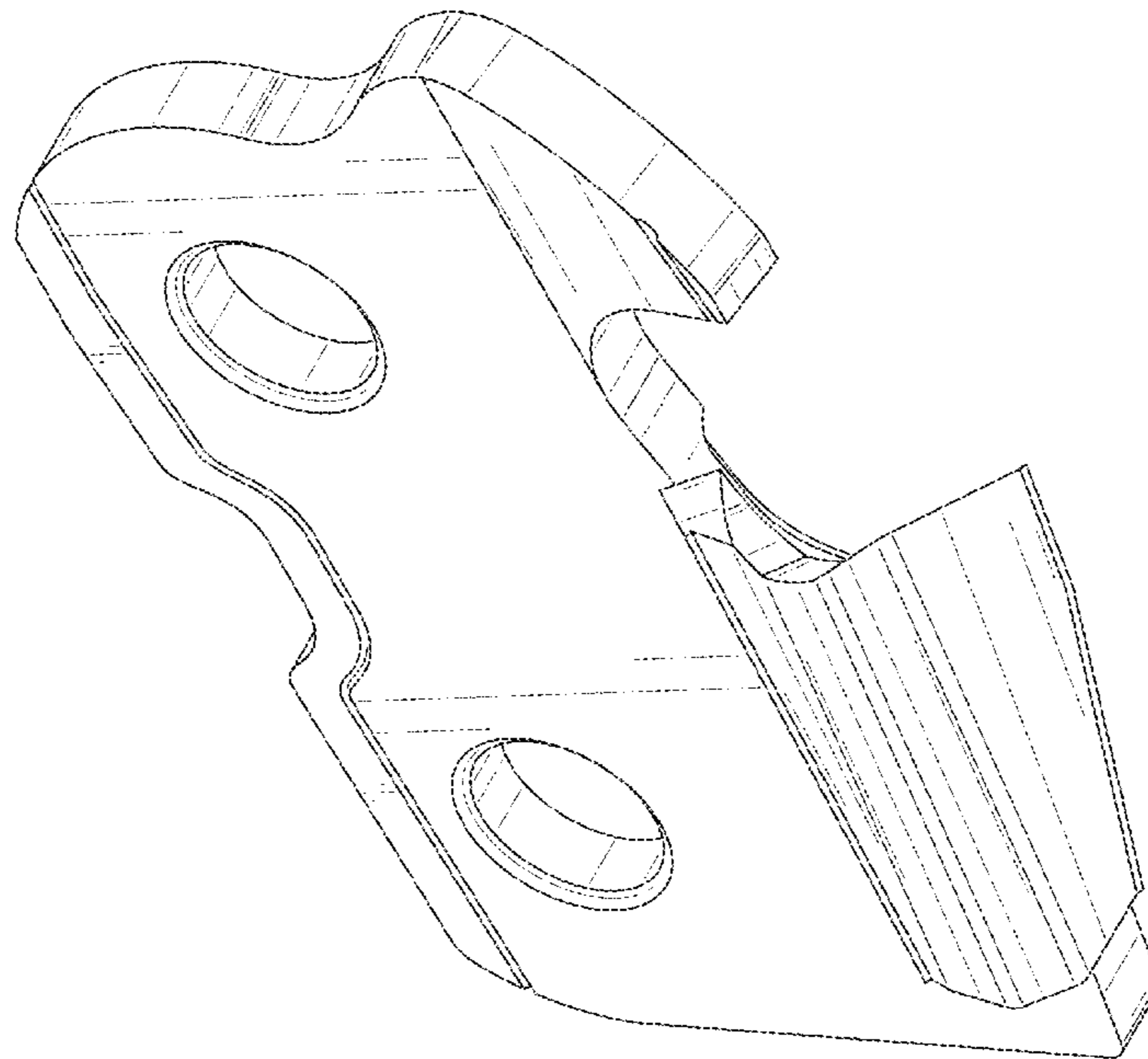
(57) **CLAIM**

I claim the ornamental design for a cutter chain, as shown and described.

DESCRIPTION

FIG. 1 is a right-front perspective view of the cutter chain; FIG. 2 is a right side view of the cutter chain shown in FIG. 1; FIG. 3 is a bottom view of the cutter chain shown in FIG. 1; FIG. 4 is a top view of the cutter chain shown in FIG. 1; FIG. 5 is a left side view of the cutter chain shown in FIG. 1; FIG. 6 is a front view of the cutter chain shown in FIG. 1; and, FIG. 7 is a rear view of the cutter chain shown in FIG. 1. The subject matter shown in dashed lines, and any surfaces of the design not shown, including interior surfaces, form no part of the claimed invention.

1 Claim, 5 Drawing Sheets



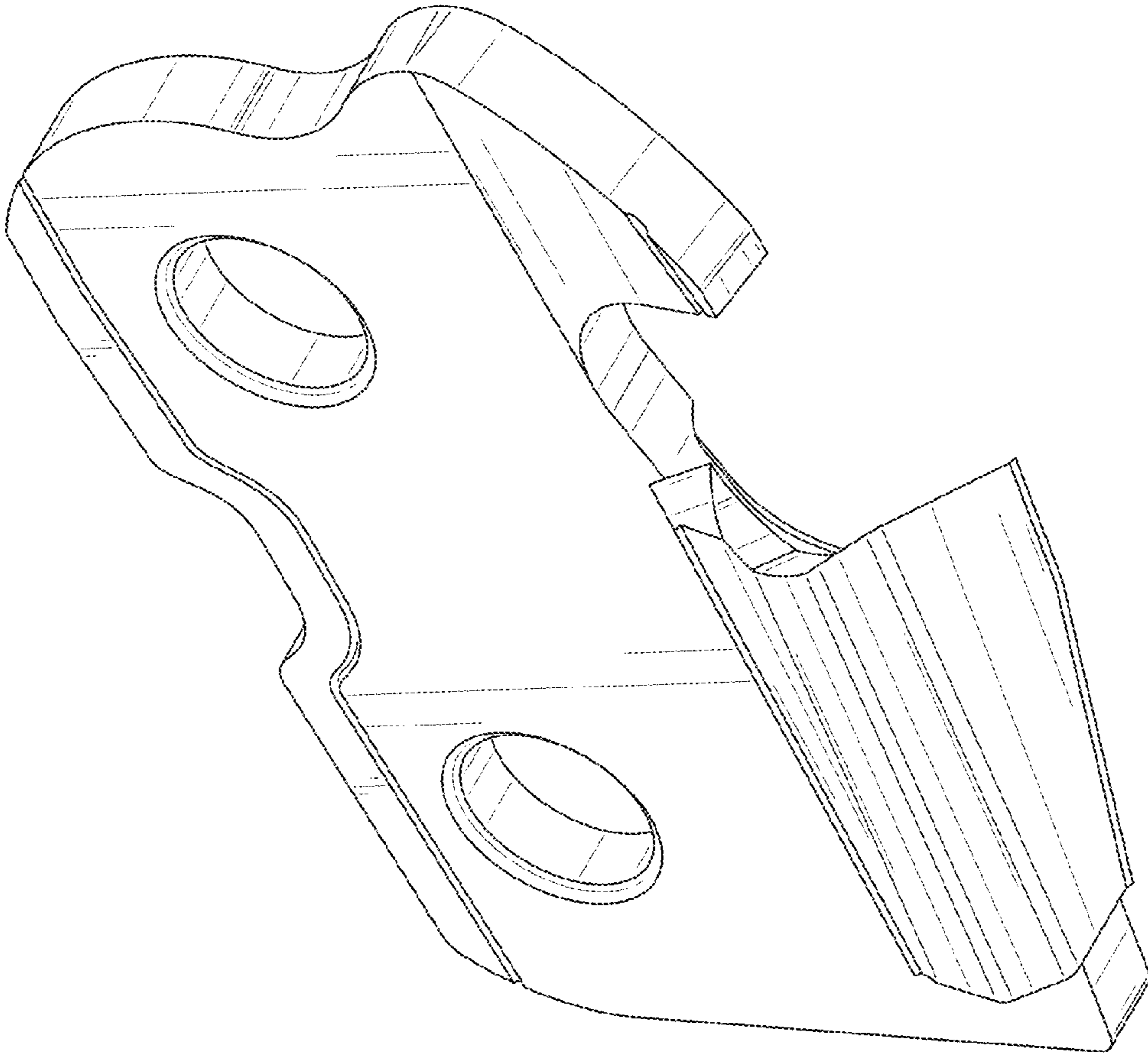


FIG. 1

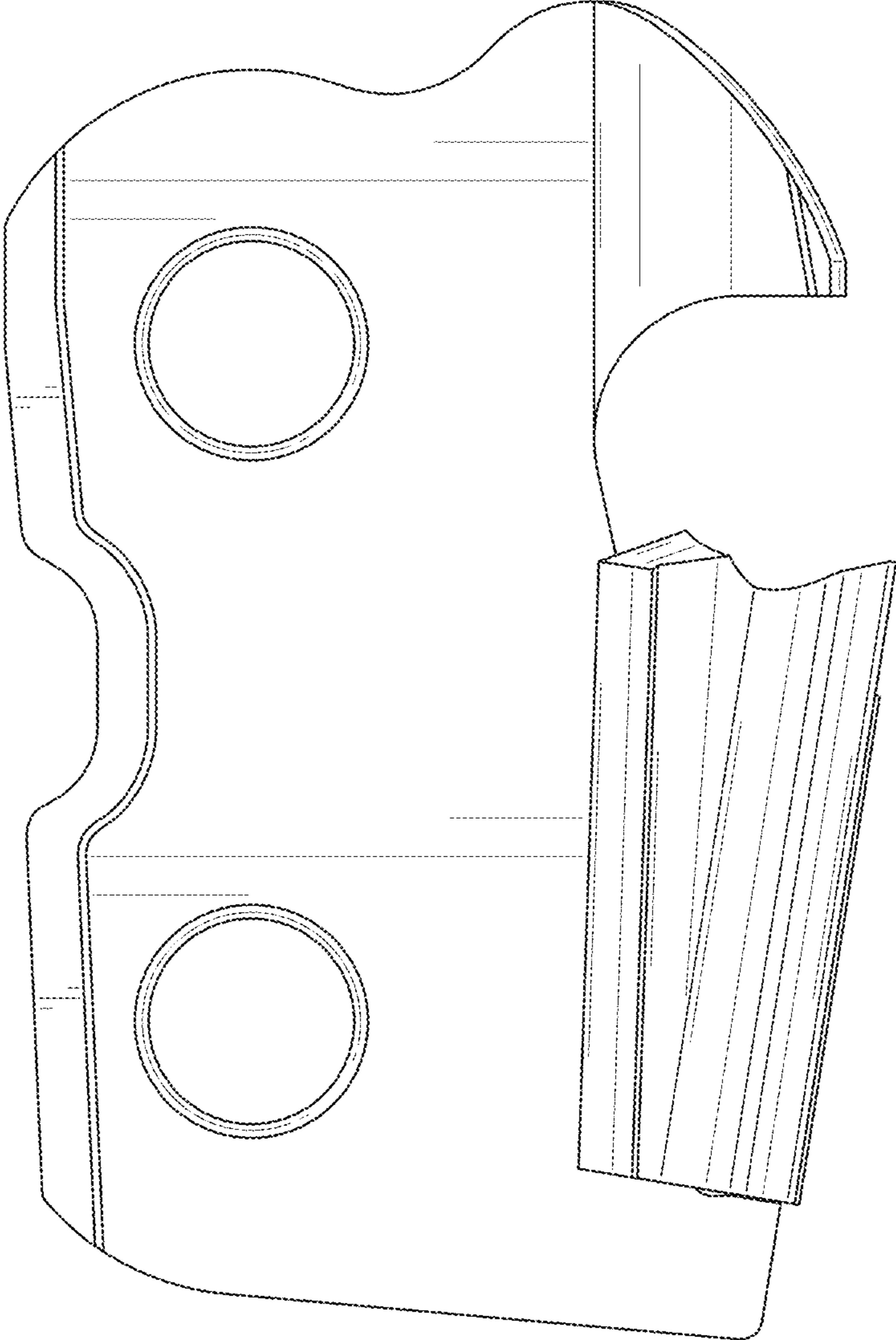


FIG. 2

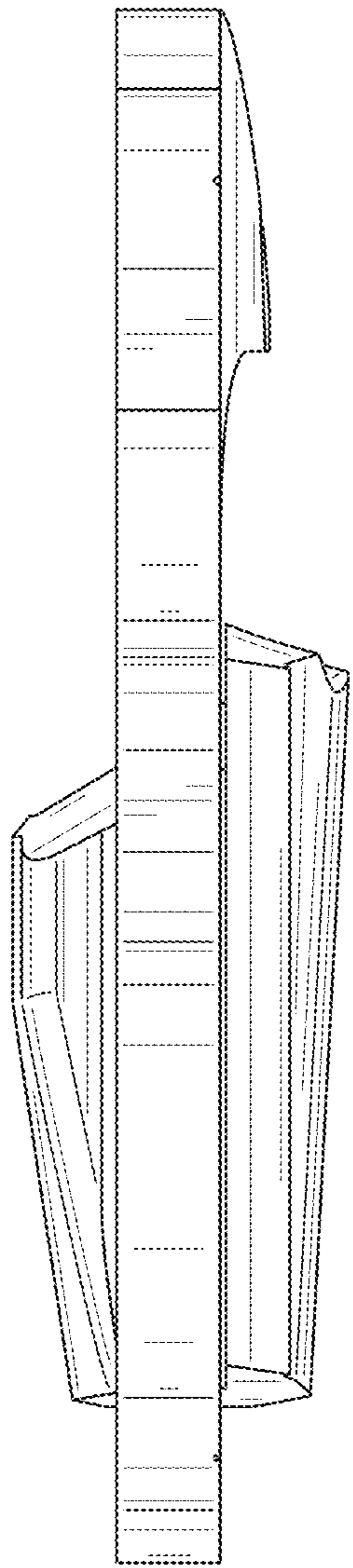


FIG. 3

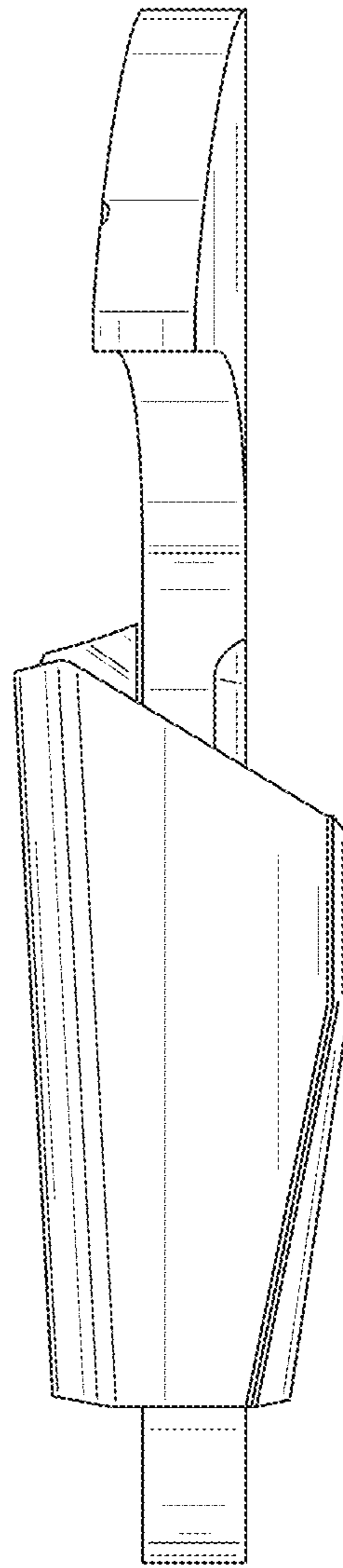


FIG. 4

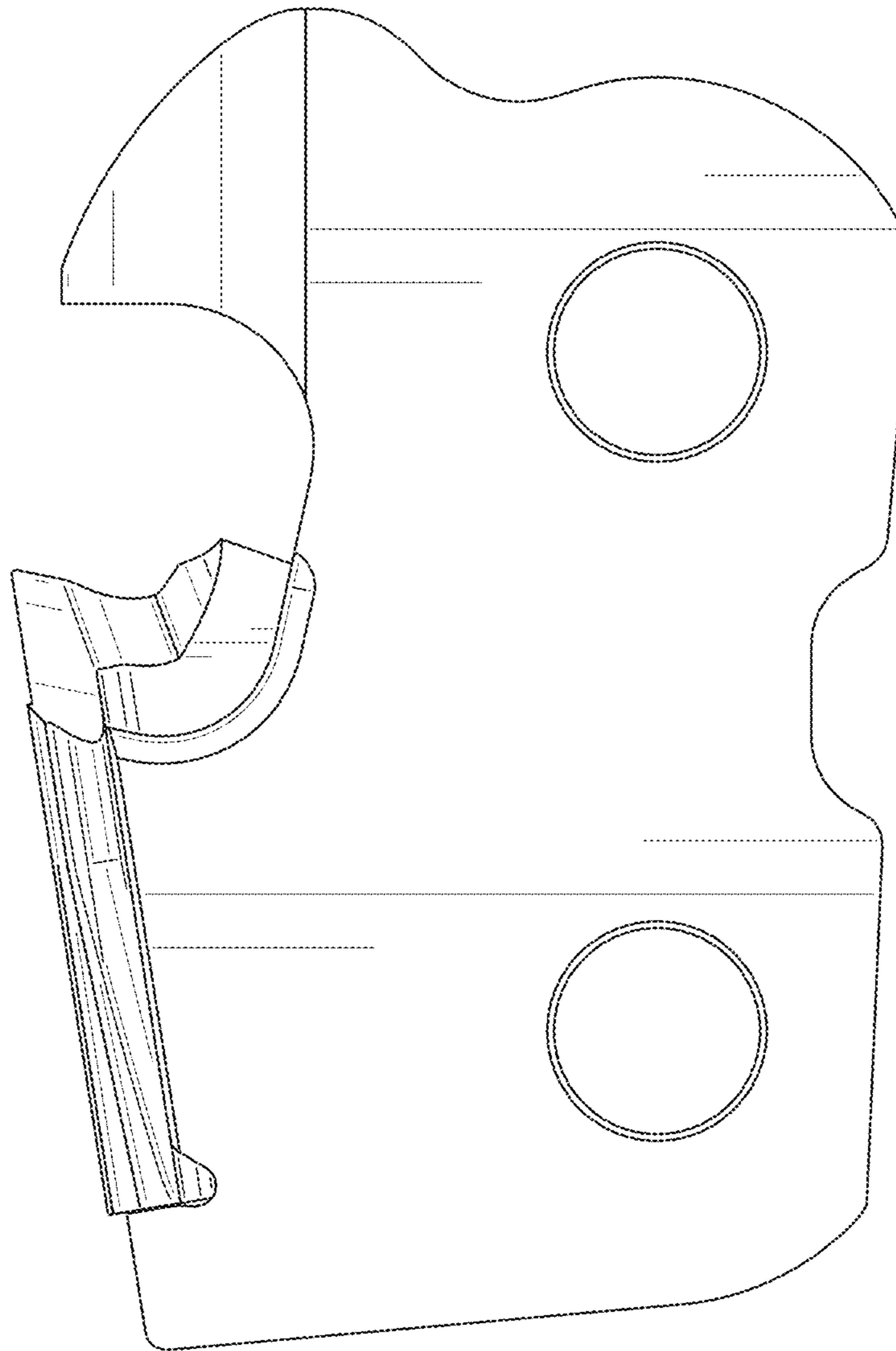


FIG. 5

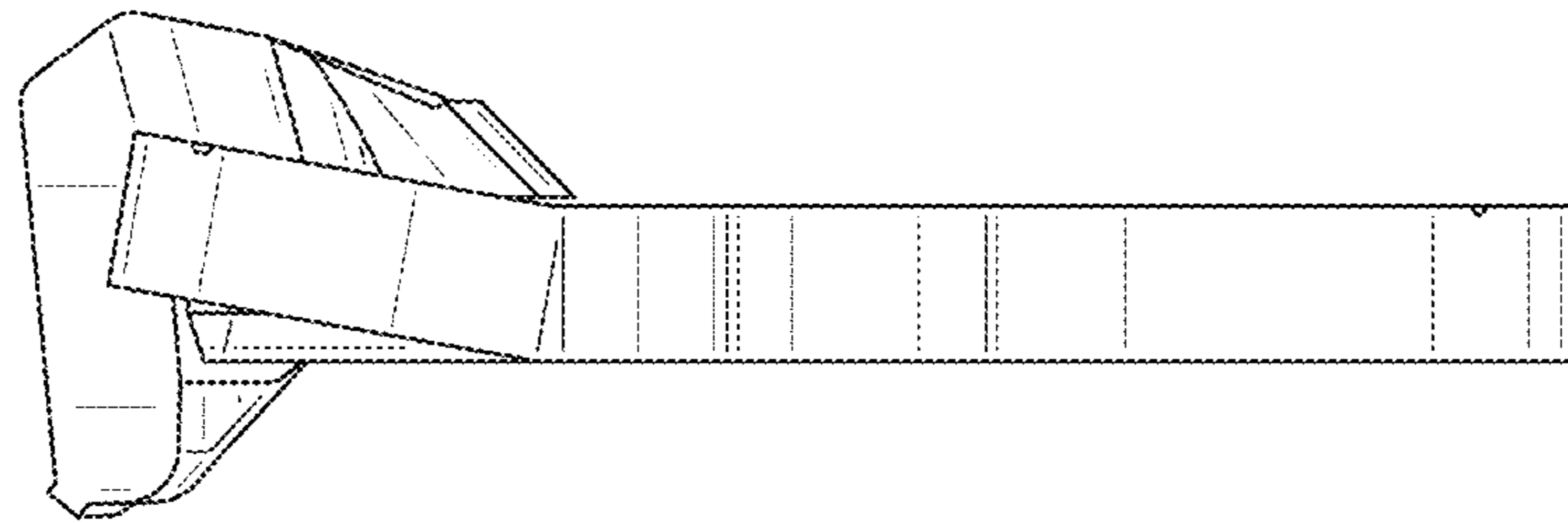


FIG. 6

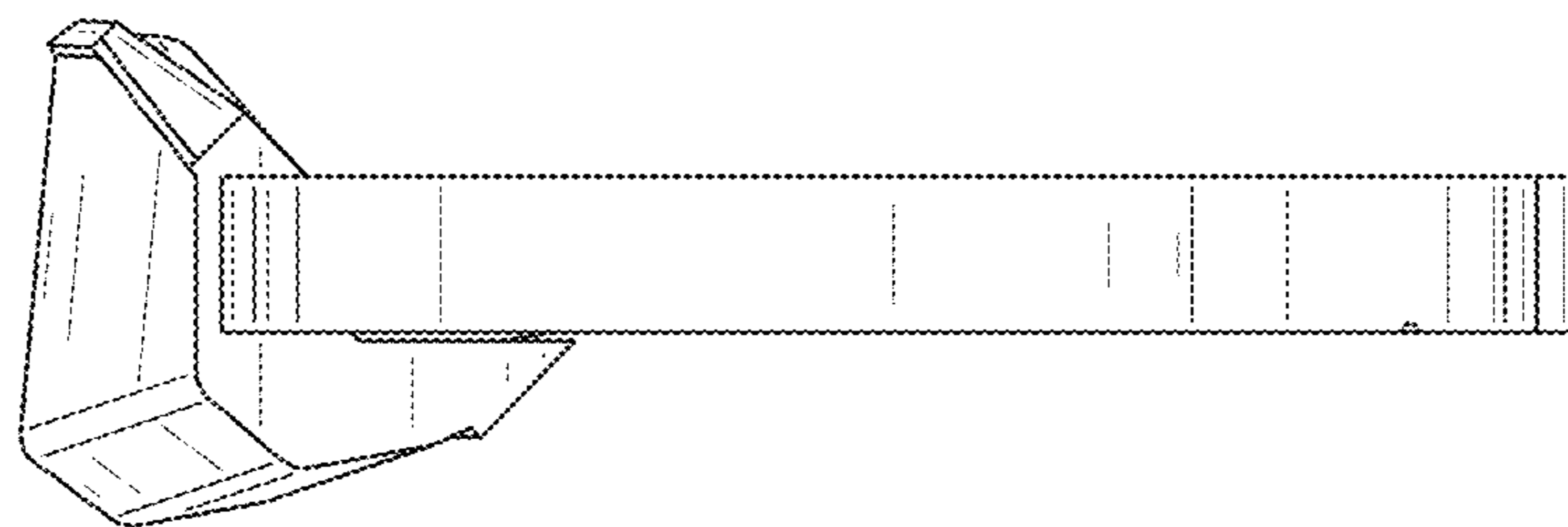


FIG. 7