



US00D715340S

(12) **United States Design Patent**
Hynek et al.

(10) **Patent No.:** **US D715,340 S**

(45) **Date of Patent:** **** Oct. 14, 2014**

(54) **PRESS SIDE PLATE**

(56) **References Cited**

(71) Applicant: **Zapadoceska Univerzita V Plzni**, Plzen (CZ)

U.S. PATENT DOCUMENTS

(72) Inventors: **Martin Hynek**, Plzen (CZ); **Miroslav Grach**, Bilina (CZ); **Petr Votapek**, Utechovicky (CZ); **Zdenek Raab**, Ceske Budejovice (CZ); **Eduard Muller**, Most (CZ); **Jan Klepacek**, Kraslice (CZ)

4,502,379	A *	3/1985	Sato	100/214
4,653,311	A *	3/1987	Tack, Jr.	72/443
5,323,634	A *	6/1994	Wolfe et al.	72/446
D350,141	S *	8/1994	Imanishi et al.	D15/123
6,101,861	A *	8/2000	VanderZee et al.	72/405.01
D449,320	S *	10/2001	Johnson	D15/141
D697,386	S *	1/2014	Dooley	D8/343
2002/0046661	A1 *	4/2002	Hawkins	100/269.17
2002/0069770	A1 *	6/2002	Faitel et al.	100/289
2003/0074948	A1 *	4/2003	Kanamaru et al.	72/455
2009/0126545	A1 *	5/2009	Luebke	83/72
2010/0132428	A1 *	6/2010	Braun	72/455
2013/0186160	A1 *	7/2013	Frangenberg	72/248

(73) Assignee: **Zapadoceska Univerzita V Plzni**, Plzen (CZ)

* cited by examiner

(**) Term: **14 Years**

Primary Examiner — Patricia Palasik

(21) Appl. No.: **29/433,666**

(57) **CLAIM**

The ornamental design for a press side plate, as shown and described.

(22) Filed: **Oct. 3, 2012**

DESCRIPTION

(51) **LOC (10) Cl.** **15-09**

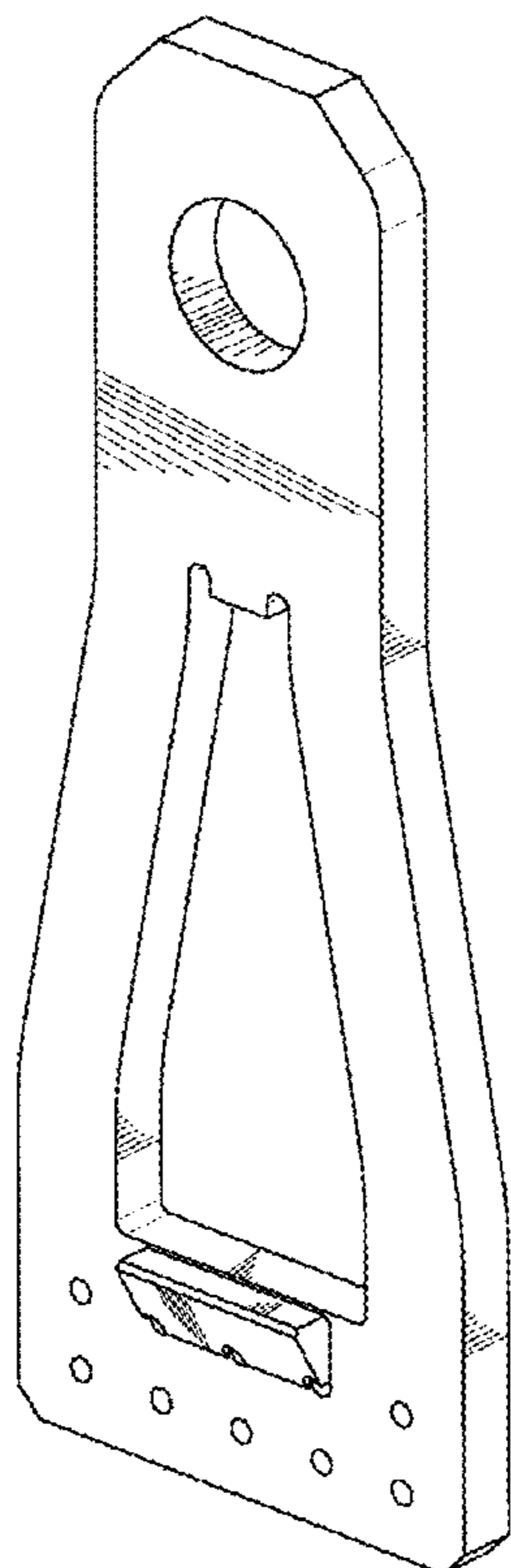
(52) **U.S. Cl.**
USPC **D15/138**

(58) **Field of Classification Search**
USPC D8/343; D15/122, 123, 138, 141;
72/448, 455, 465; 100/207, 208, 282,
100/268, 292, 214; 435/86, 135, 347, 348,
435/349, 350, 353, 354, 355, 360

FIG. 1 is a perspective view of press side plate's positions in a tire press assembly;
FIG. 2 is a perspective front view of a press side plate showing my new design;
FIG. 3 is a front elevational view thereof;
FIG. 4 is a perspective back view thereof; and,
FIG. 5 is a side elevational view, the opposite side being a mirror image thereof.

See application file for complete search history.

1 Claim, 5 Drawing Sheets



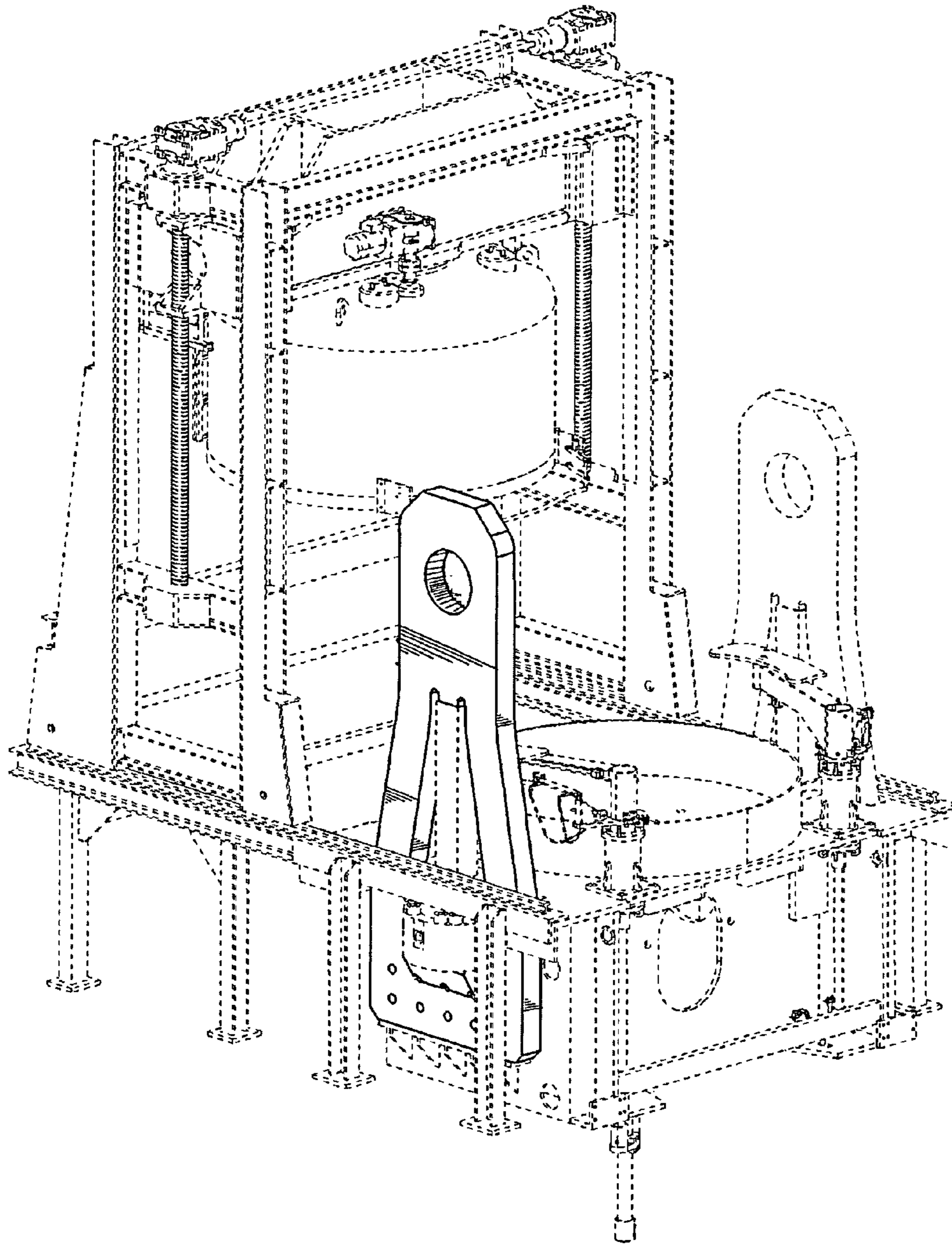


FIGURE 1

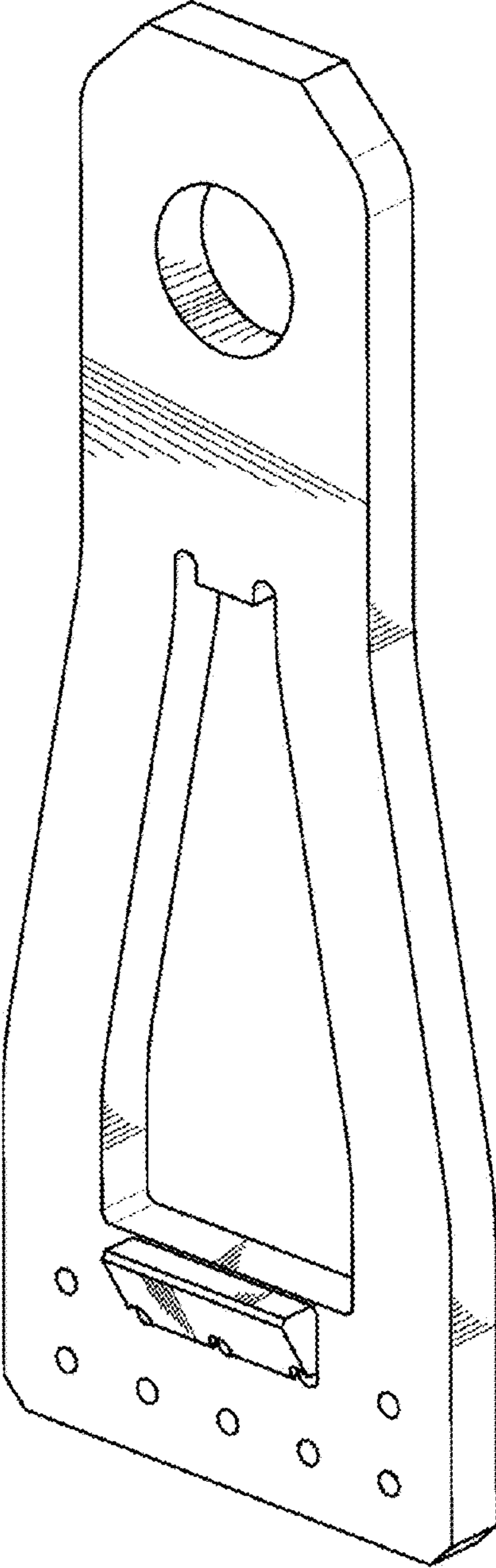


FIGURE 2

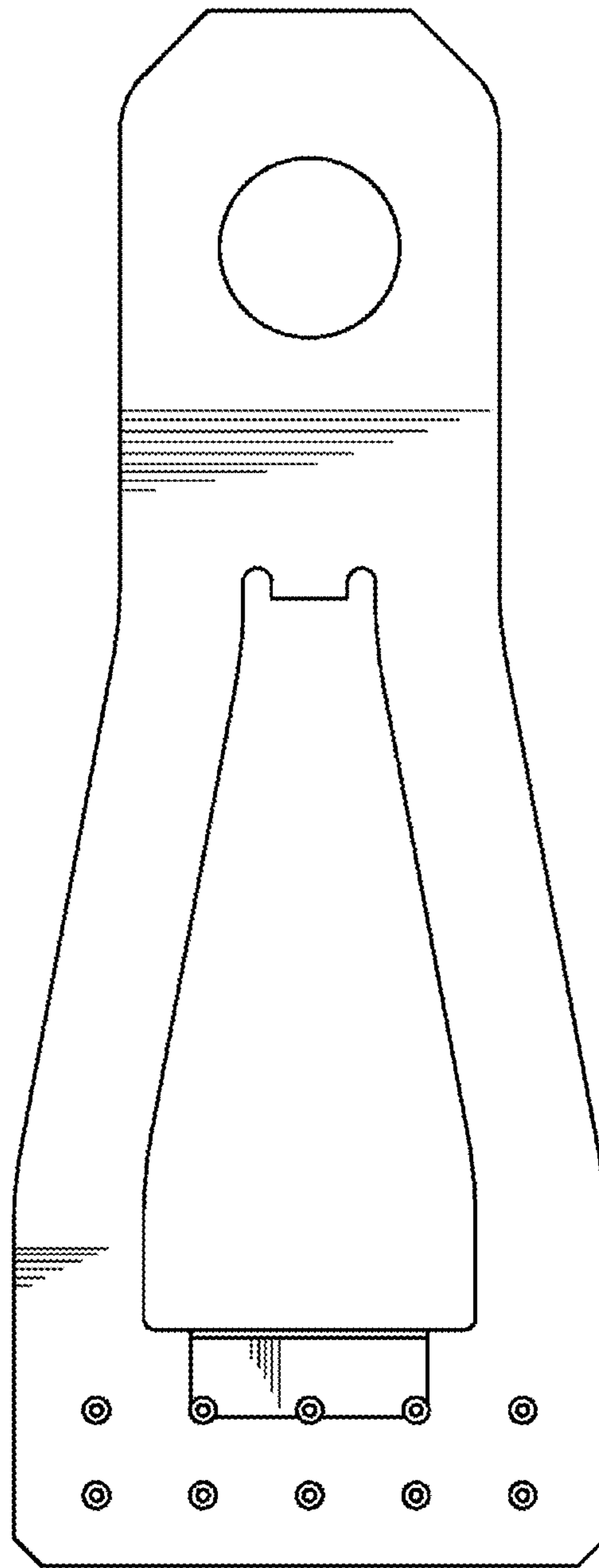


FIGURE 3

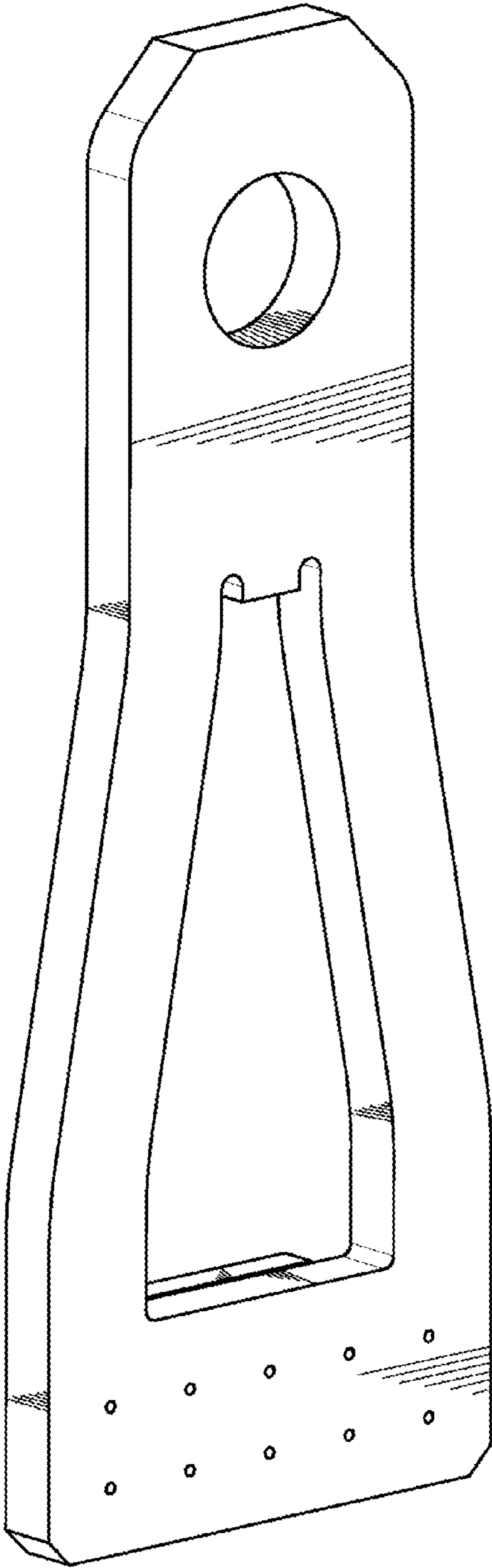


FIGURE 4

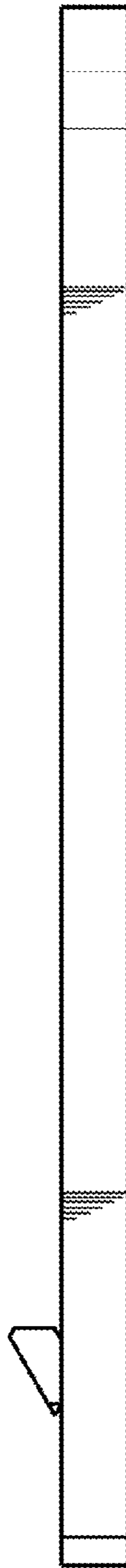


FIGURE 5