



US00D715338S

(12) **United States Design Patent**
Elder et al.

(10) **Patent No.:** **US D715,338 S**

(45) **Date of Patent:** **** Oct. 14, 2014**

(54) **TABLE SAW**

(56) **References Cited**

(71) Applicant: **Black & Decker Inc.**, Newark, DE (US)

U.S. PATENT DOCUMENTS

(72) Inventors: **Christian V. Elder**, Baltimore, MD (US); **John E. Buck**, Cockeysville, MD (US); **Floyd E. Moreland**, York, PA (US); **Ross A. Billings**, Baltimore, MD (US); **Warren A. Ceroll**, Owings Mills, MD (US); **James D. Schroeder**, Dallastown, PA (US); **Peter Chaikowsky**, Forest Hill, MD (US)

D394,071	S	*	5/1998	Ceroll et al.	D15/133
D411,090	S	*	6/1999	Chang	D8/66
D425,529	S	*	5/2000	Svetlik	D15/133
D442,190	S	*	5/2001	Chen	D15/133
D458,947	S	*	6/2002	Svetlik et al.	D15/133
D461,833	S	*	8/2002	Gist et al.	D15/133
6,986,370	B1	*	1/2006	Schoene et al.	144/287
D537,853	S	*	3/2007	Liu et al.	D15/133
D626,158	S	*	10/2010	Jebb	D15/133
D663,328	S	*	7/2012	Taylor et al.	D15/133
2002/0092397	A1	*	7/2002	Liu	83/471
2009/0165624	A1	*	7/2009	Brown et al.	83/477

(73) Assignee: **Black & Decker Inc.**, Newark, DE (US)

* cited by examiner

(**) Term: **14 Years**

Primary Examiner — Patricia Palasik

(21) Appl. No.: **29/479,269**

(74) *Attorney, Agent, or Firm* — Adan Ayala

(22) Filed: **Jan. 14, 2014**

(57) **CLAIM**

The ornamental design for a table saw, as shown and described.

Related U.S. Application Data

DESCRIPTION

(63) Continuation of application No. 29/464,218, filed on Aug. 14, 2013, now abandoned.

(51) **LOC (10) Cl.** **15-09**

(52) **U.S. Cl.**
USPC **D15/133**

(58) **Field of Classification Search**
USPC D8/61, 64-69; D15/133, 134;
30/377-378, 388-391; 83/377, 378,
83/388, 397, 468.3, 469

FIG. 1 is a perspective view of a table saw according to the invention.

FIG. 2 is a front view of the table saw of FIG. 1.

FIG. 3 is a rear view of the table saw of FIG. 1.

FIG. 4 is a left side view of the table saw of FIG. 1.

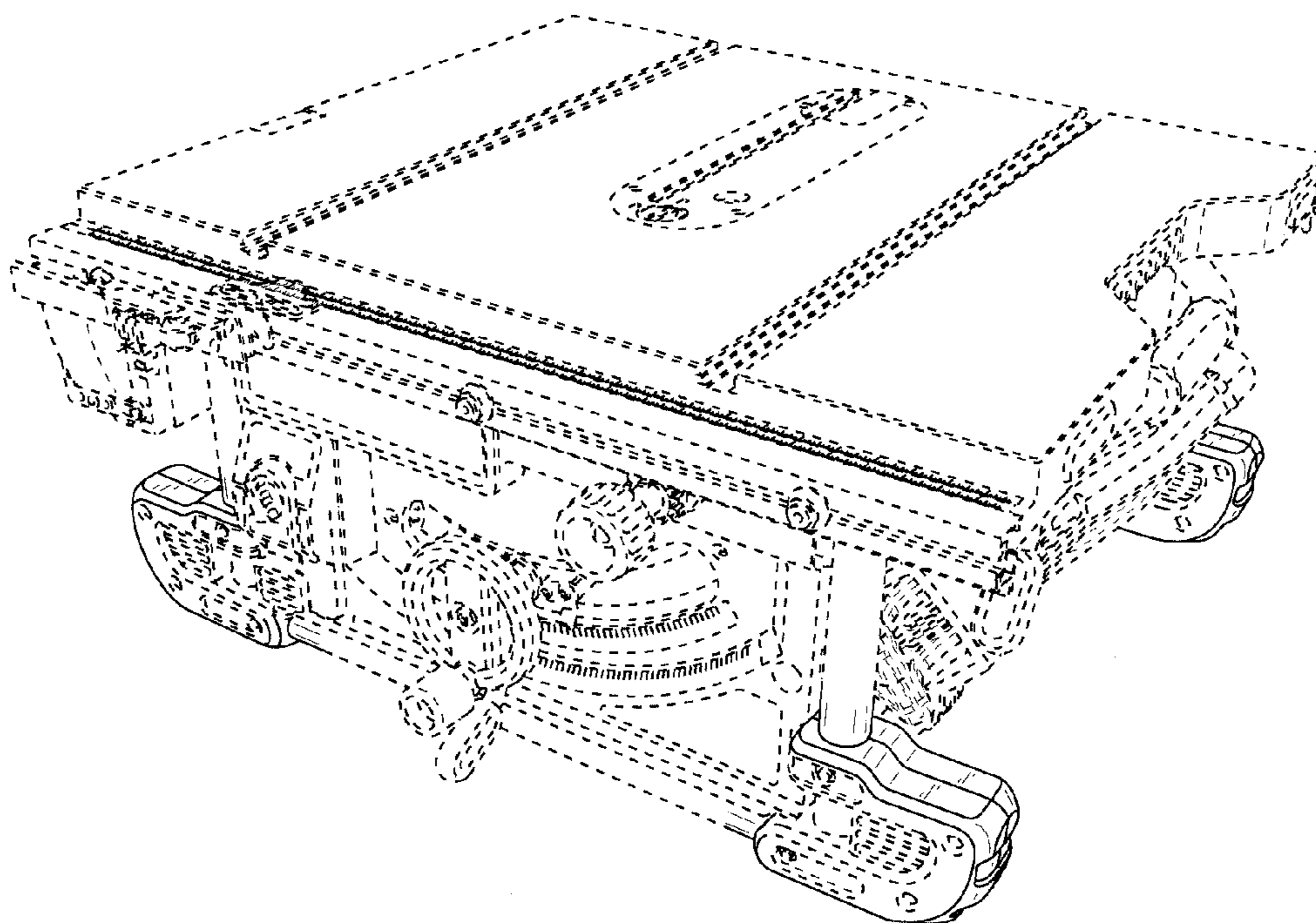
FIG. 5 is a right side view of the table saw of FIG. 1.

FIG. 6 is a top plan view of the table saw of FIG. 1; and,

FIG. 7 is a bottom plan view of the table saw of FIG. 1.

See application file for complete search history.

1 Claim, 7 Drawing Sheets



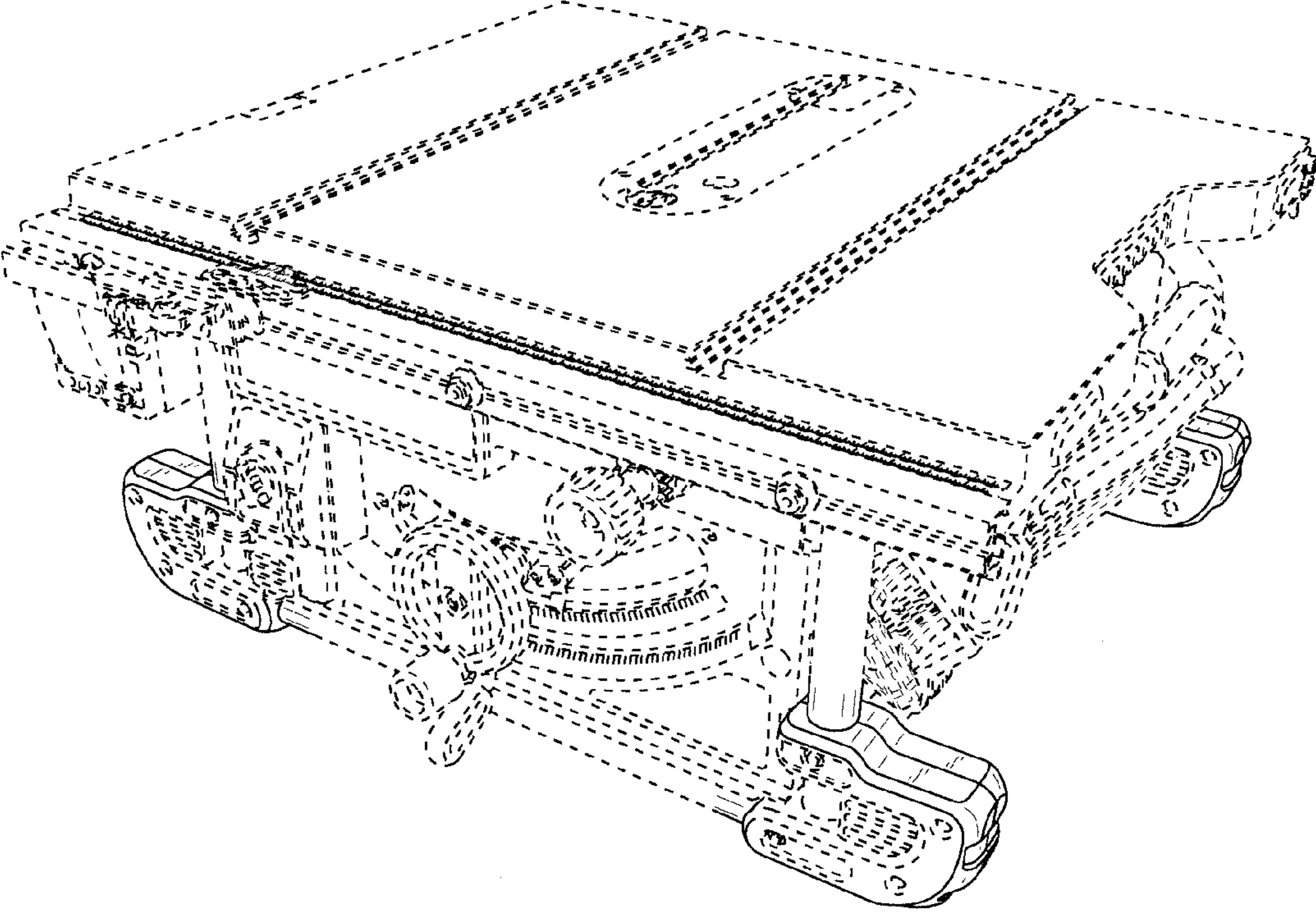


FIG. 1

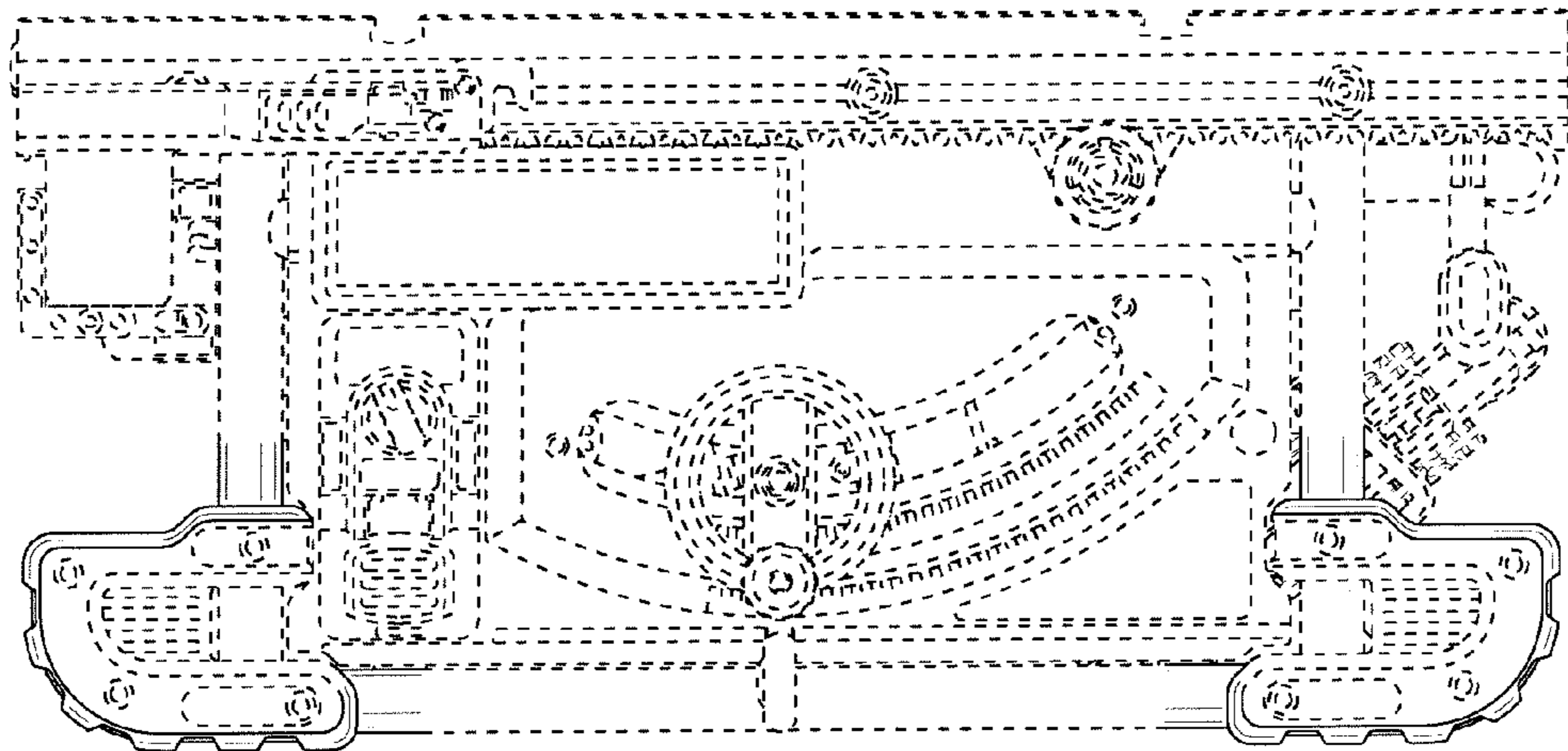


FIG. 2

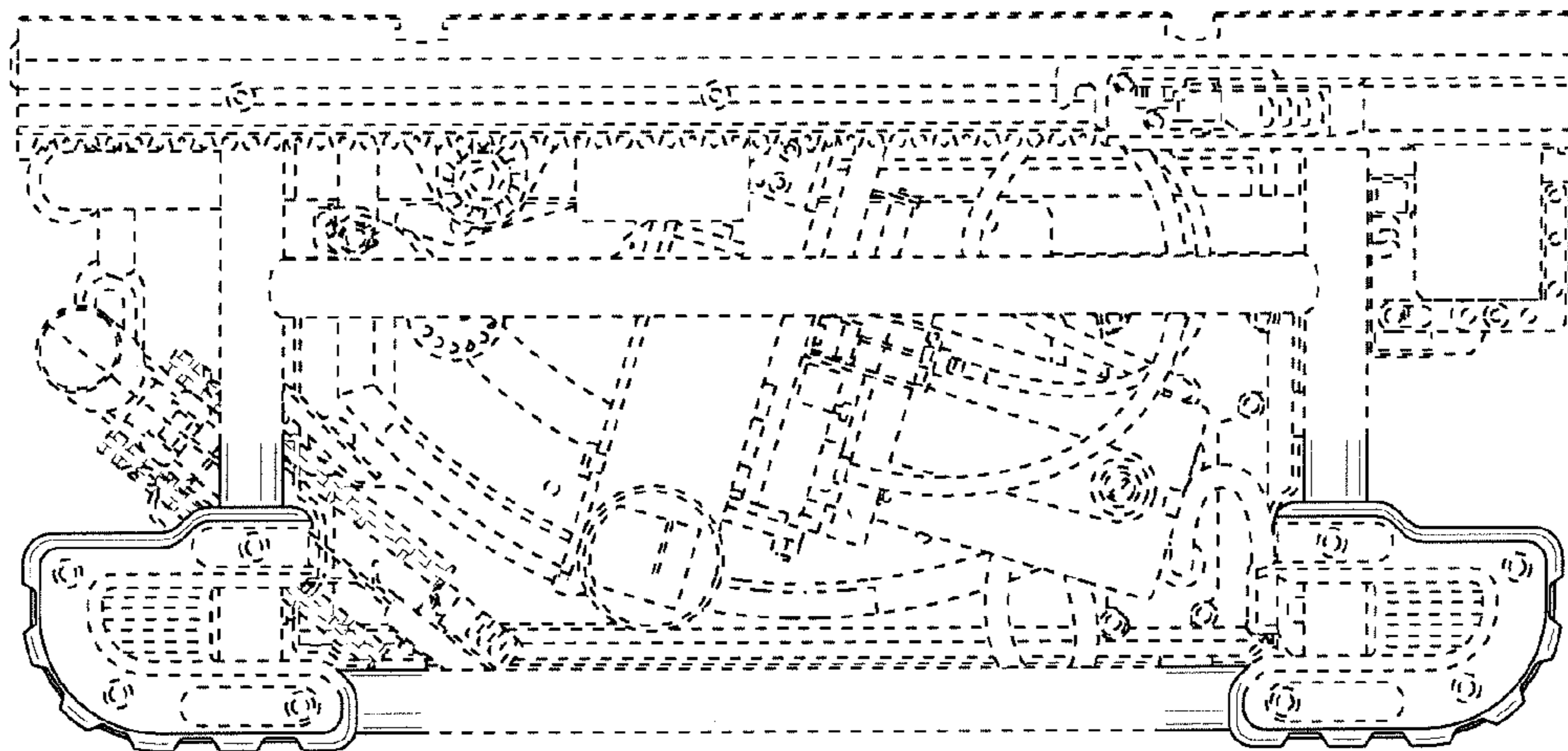


FIG. 3

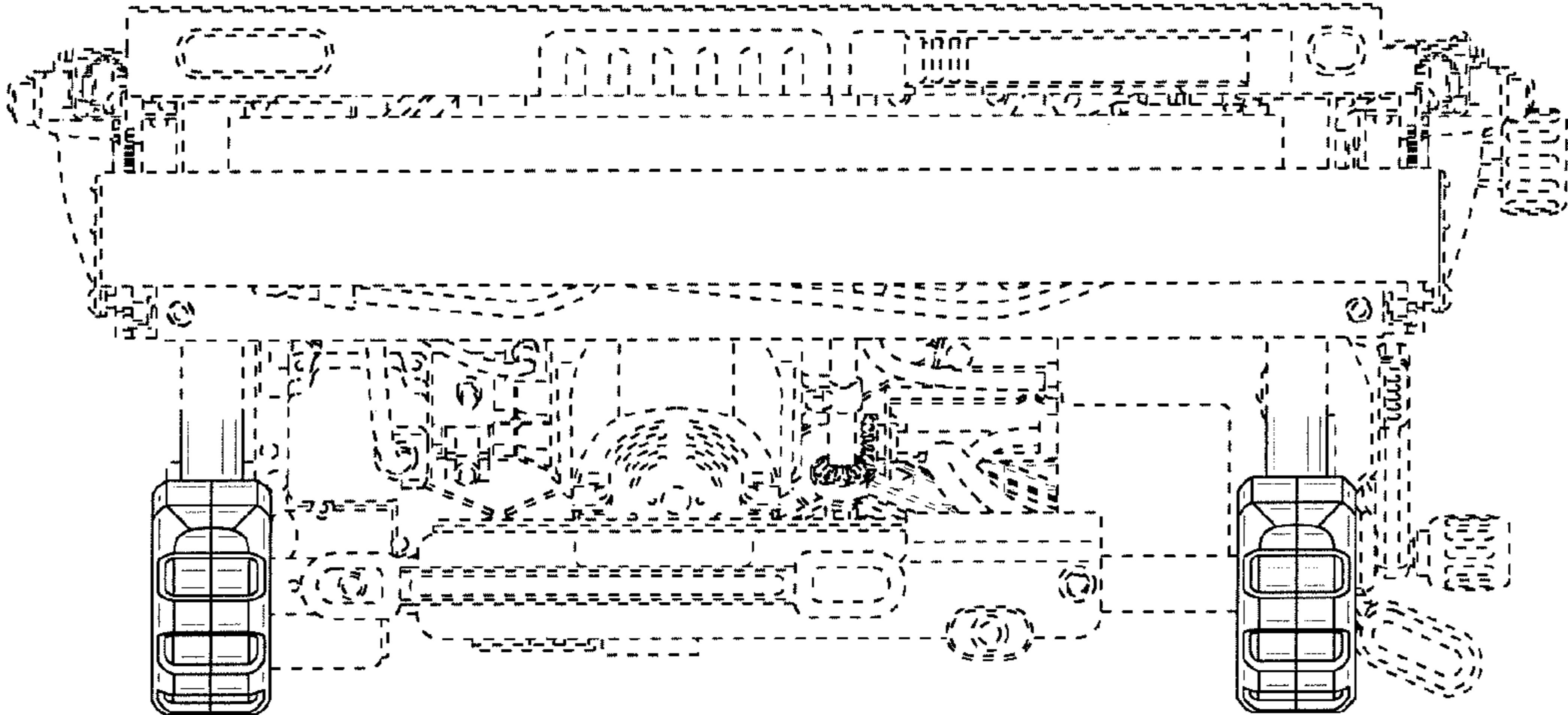


FIG. 4

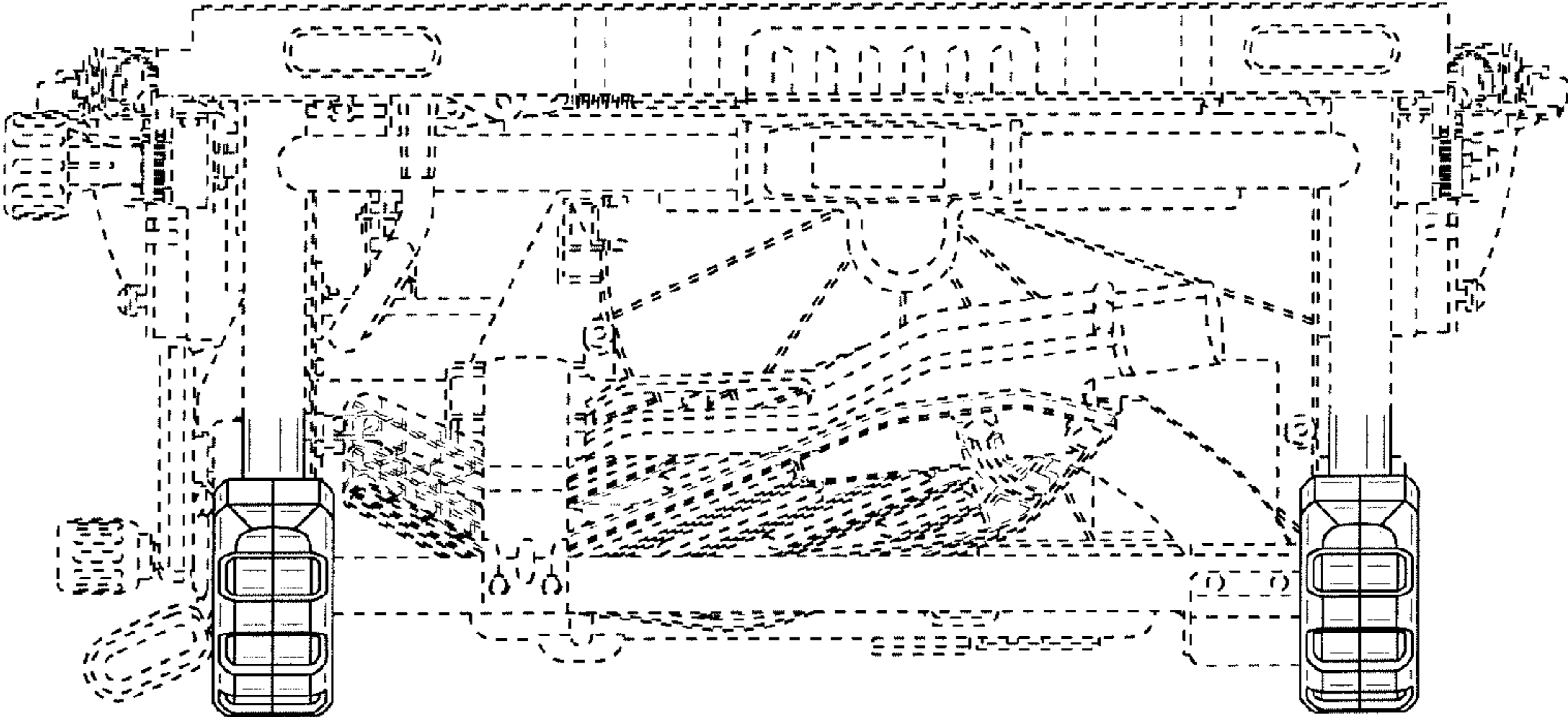


FIG. 5

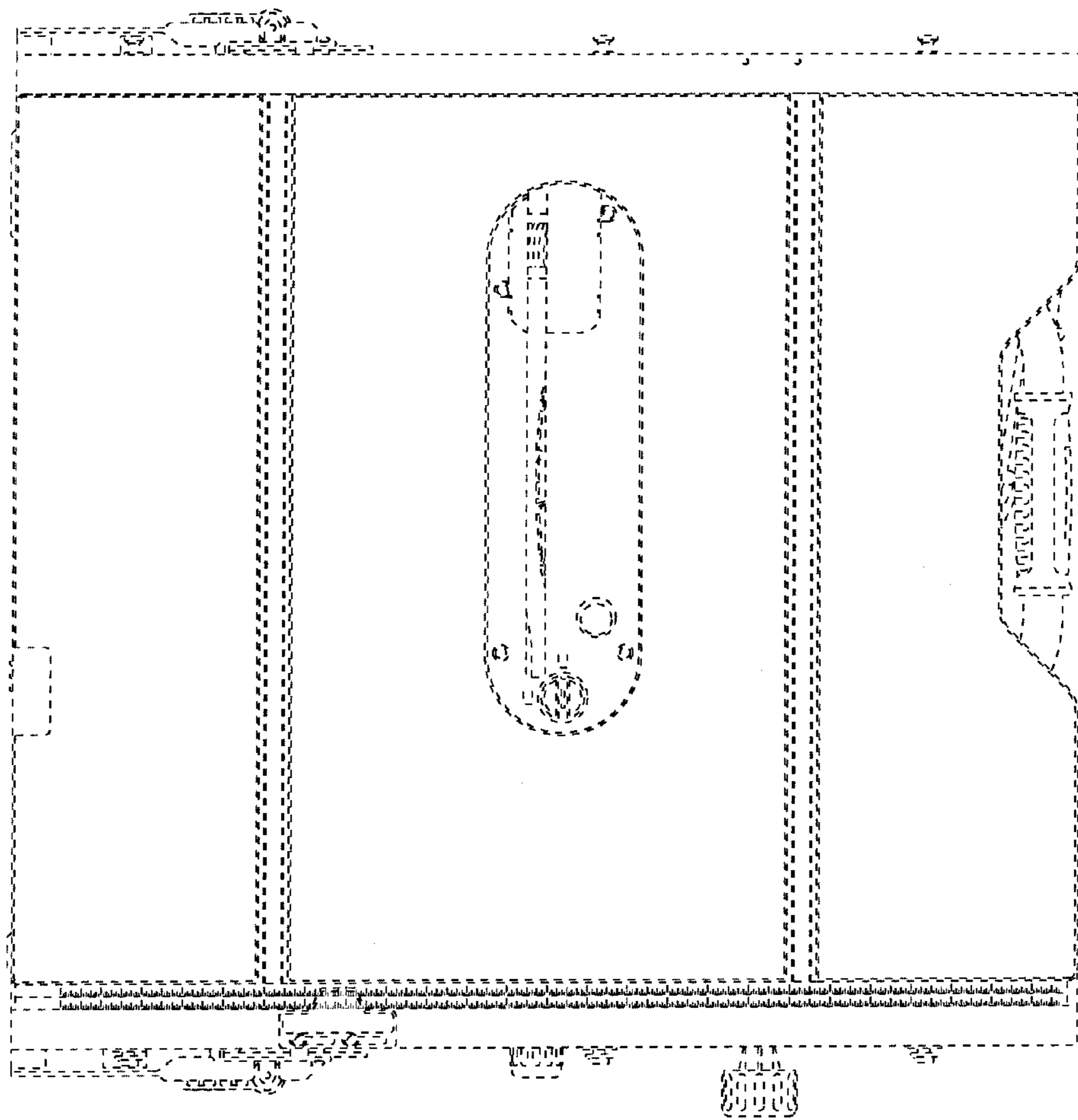


FIG. 6

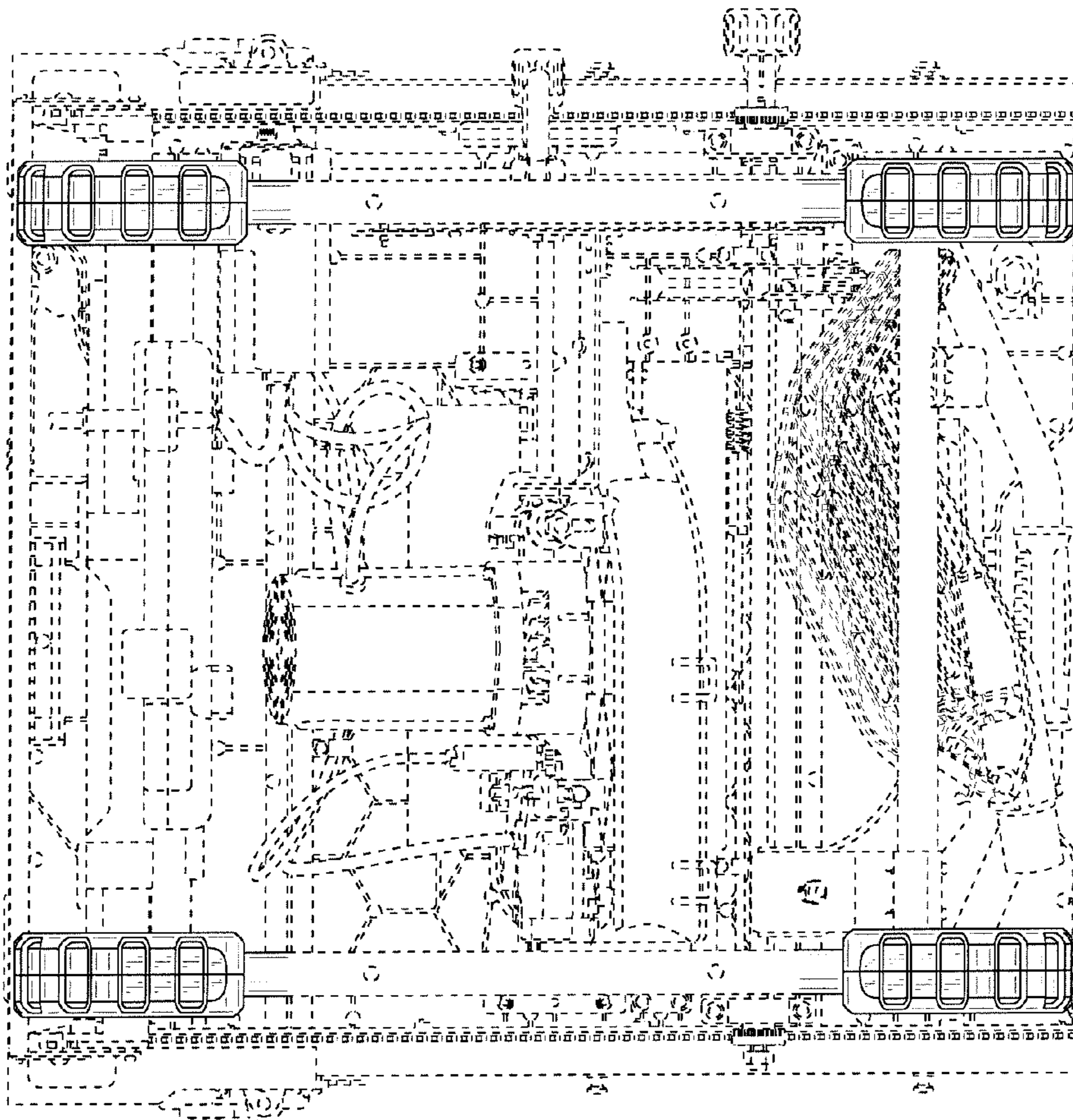


FIG. 7