

US00D715337S

(12) **United States Design Patent**
Scherl

(10) **Patent No.:** **US D715,337 S**

(45) **Date of Patent:** **** Oct. 14, 2014**

(54) **TABLE SAW**

(75) **Inventor:** **Thomas Scherl, Ulm (DE)**

(73) **Assignee:** **Scheppach Fabrikation von
Holzbearbeitungsmaschinen GmbH,
Ichenhausen (DE)**

(**) **Term:** **14 Years**

(21) **Appl. No.:** **29/371,869**

(22) **Filed:** **Nov. 15, 2011**

(51) **LOC (10) Cl.** **15-09**

(52) **U.S. Cl.**
USPC **D15/133**

(58) **Field of Classification Search**
USPC D8/61, 64-69; D15/133, 134;
30/377-378, 388-391; 83/377, 378,
83/388, 397, 468.3, 469
See application file for complete search history.

(56) **References Cited**

U.S. PATENT DOCUMENTS

D394,071 S *	5/1998	Ceroll et al.	D15/133
D411,090 S *	6/1999	Chang	D8/66
D425,529 S *	5/2000	Svetlik	D15/133
D442,190 S *	5/2001	Chen	D15/133
D458,947 S *	6/2002	Svetlik et al.	D15/133
D461,833 S *	8/2002	Gist et al.	D15/133

6,986,370 B1 *	1/2006	Schoene et al.	144/287
D537,853 S *	3/2007	Liu et al.	D15/133
D626,158 S *	10/2010	Jebb	D15/133
D663,328 S *	7/2012	Taylor et al.	D15/133
2002/0092397 A1 *	7/2002	Liu	83/471
2009/0165624 A1 *	7/2009	Brown et al.	83/477

* cited by examiner

Primary Examiner — Patricia Palasik

(74) *Attorney, Agent, or Firm* — Bacon & Thomas, PLLC

(57) **CLAIM**

The ornamental design for a table saw, as shown and described.

DESCRIPTION

FIG. 1 is a front, left-side perspective view of a rectangularly shaped table saw according to the invention;
 FIG. 2 is a front, right-side perspective view of the table saw according to the invention;
 FIG. 3 is a right-side perspective view of the table saw according to the invention;
 FIG. 4 is a rear, right-side perspective view of the table saw according to the invention;
 FIG. 5 is a rear, left-side perspective view of the table saw according to the invention; and,
 FIG. 6 is a left-side view of the table saw according to the invention.

1 Claim, 6 Drawing Sheets

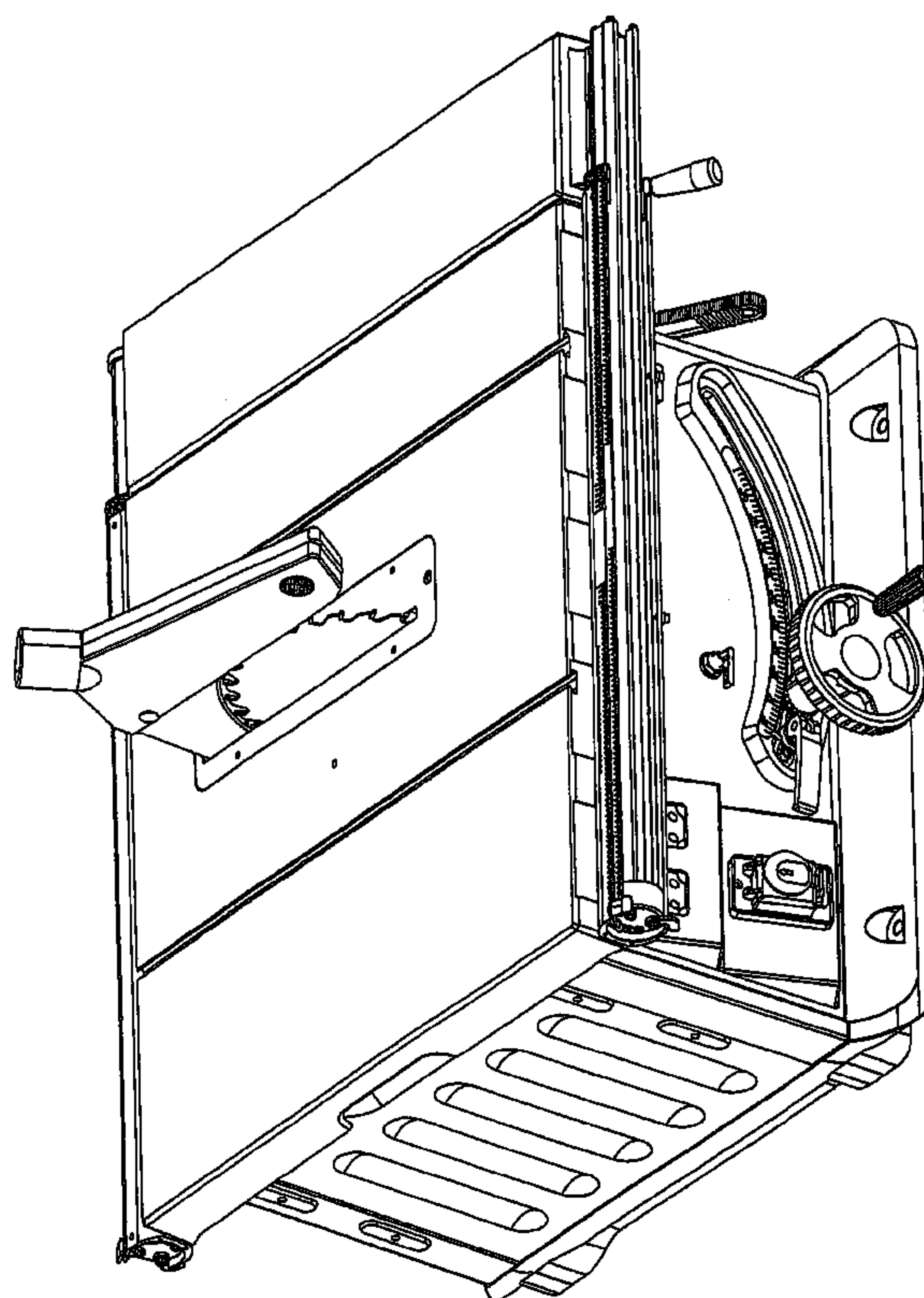


Fig. 1

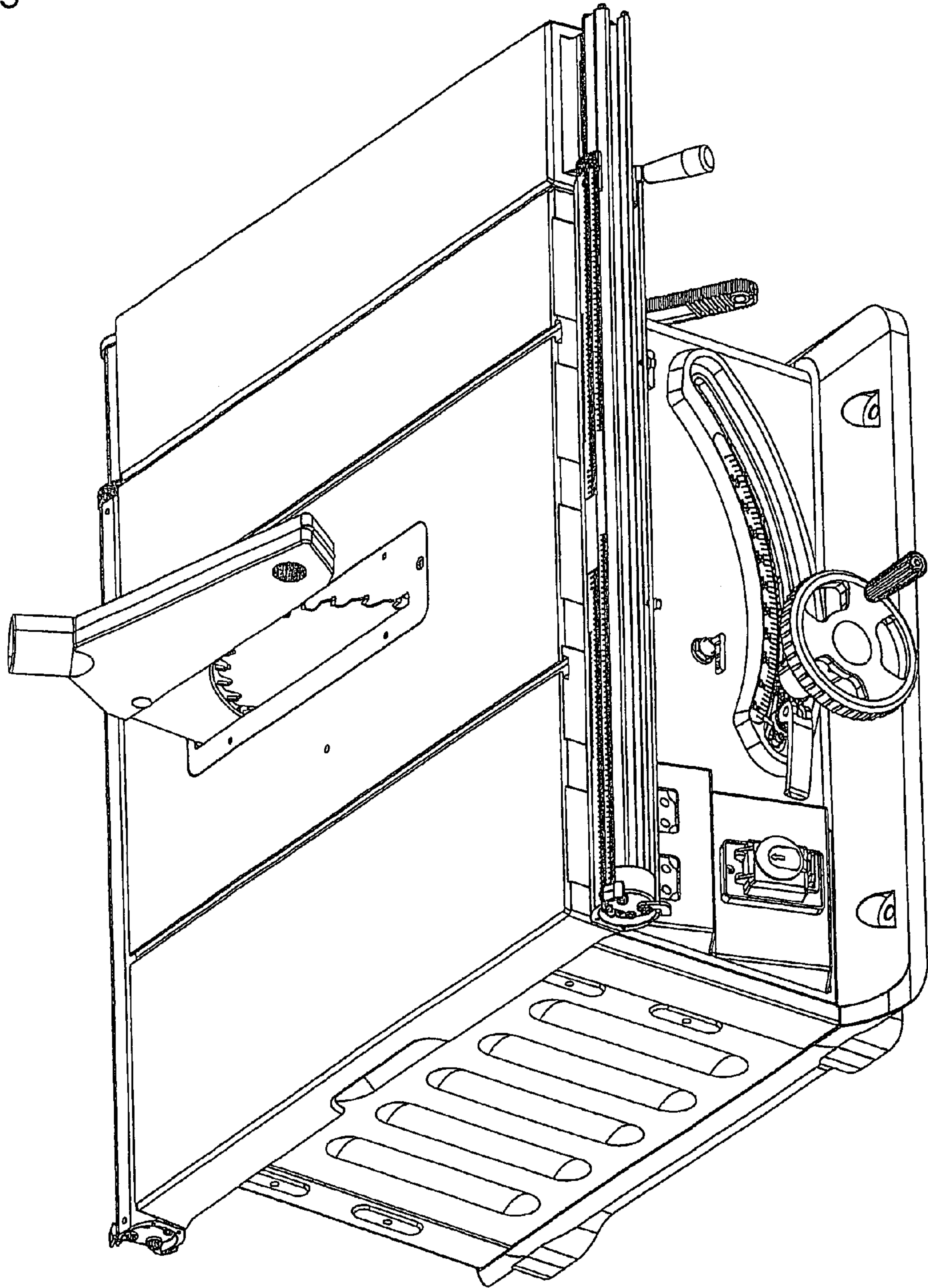


Fig. 2

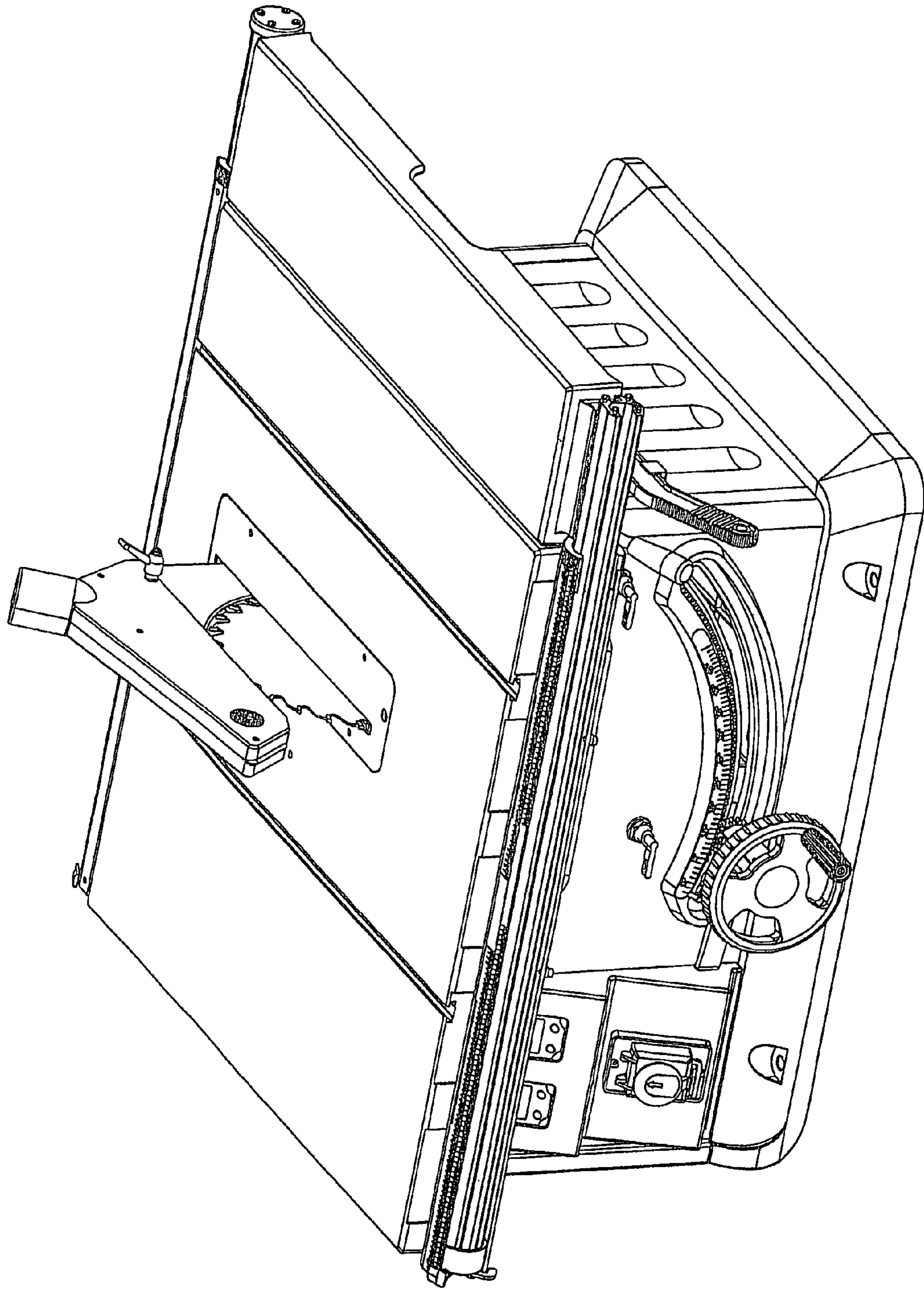


Fig. 3

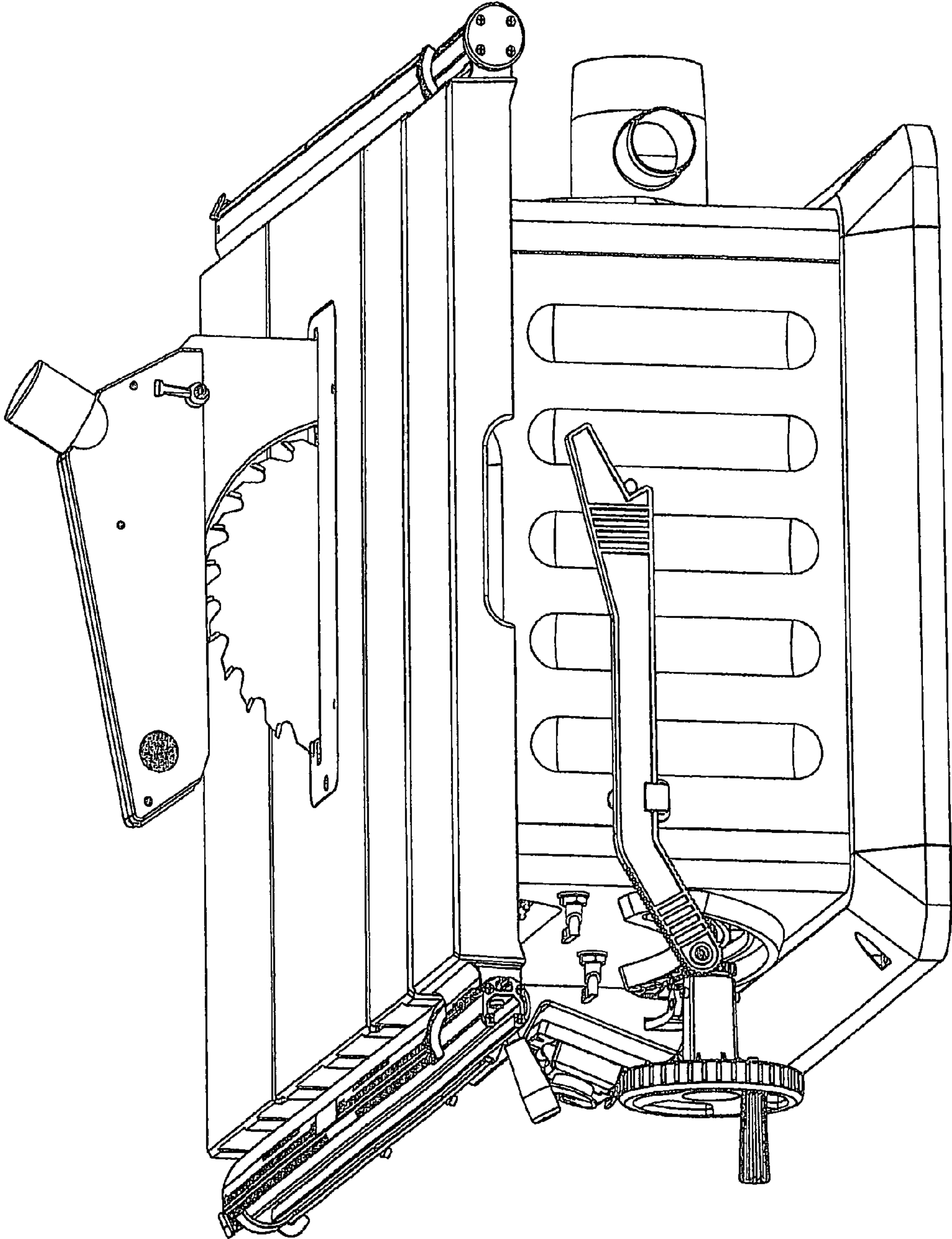


Fig. 4

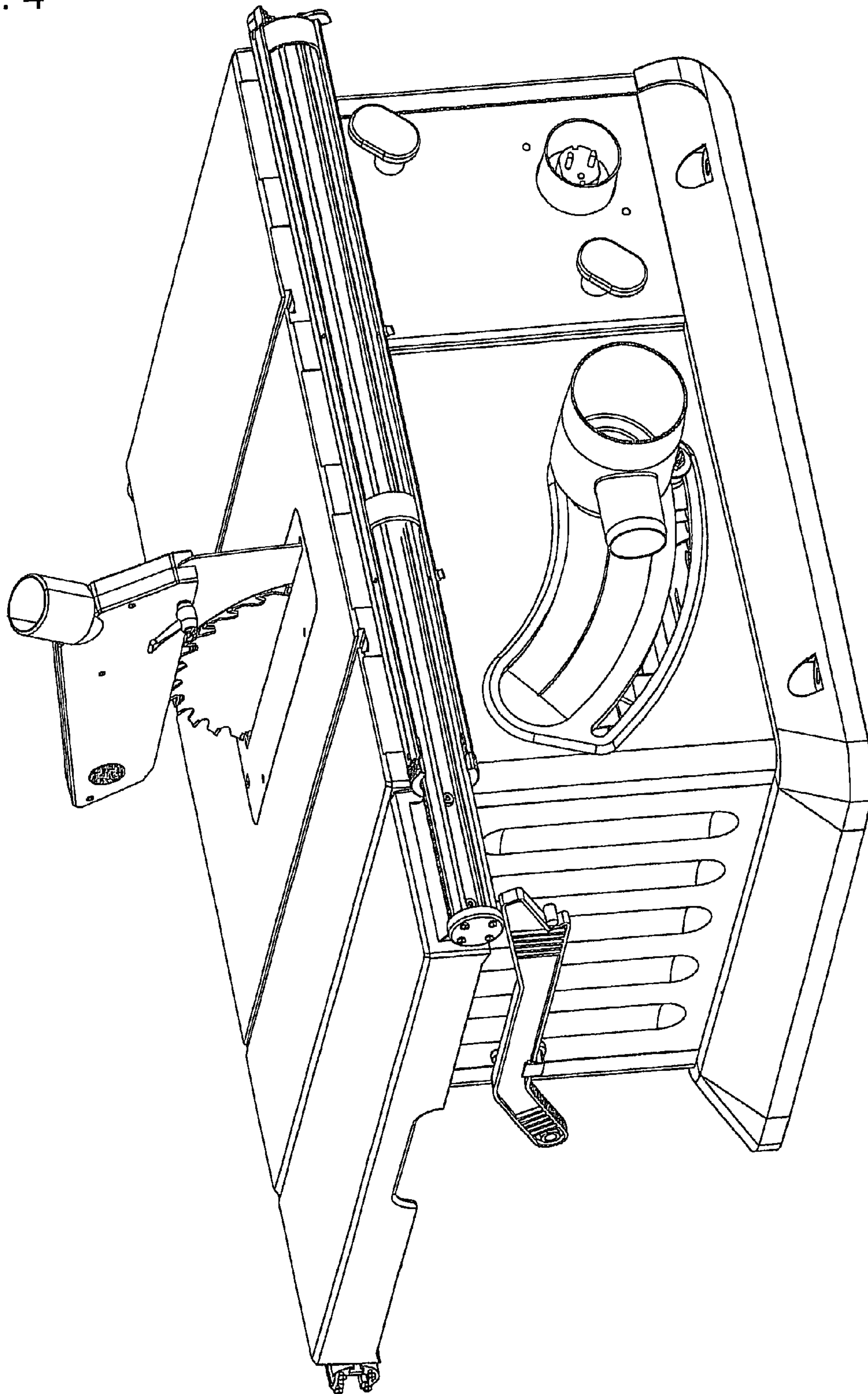


Fig. 5

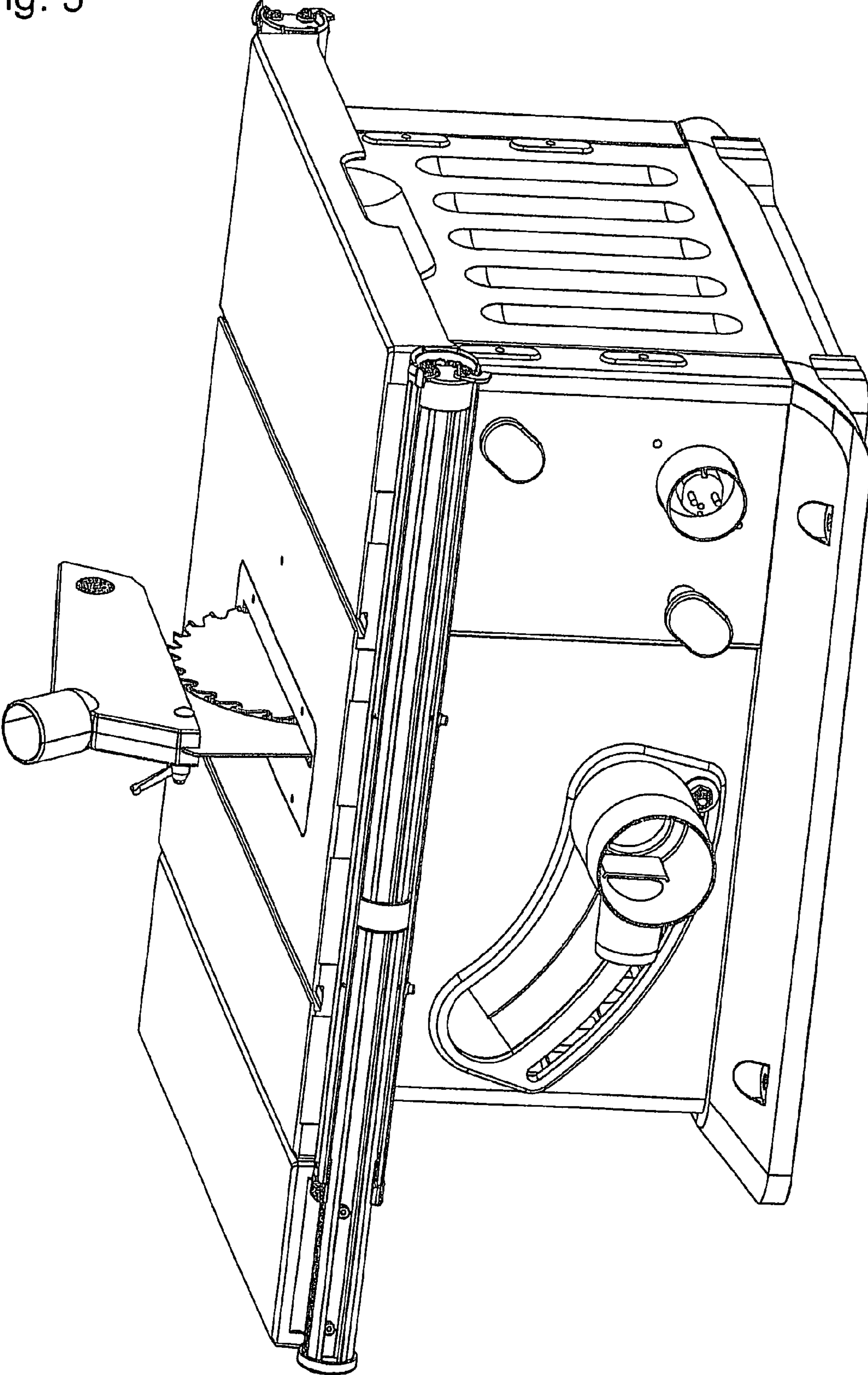


Fig. 6

