



US00D715333S

(12) **United States Design Patent**  
**Jacobsthal et al.**

(10) **Patent No.:** **US D715,333 S**

(45) **Date of Patent:** **\*\* Oct. 14, 2014**

(54) **WORK VEHICLE HOOD**

(71) Applicant: **CNH America LLC**, New Holland, PA (US)

(72) Inventors: **Eric M. Jacobsthal**, Elmhurst, IL (US);  
**Russell Meyer**, Crystal Lake, IL (US);  
**Dwayne St. George Jackson**, Plainfield, IL (US); **William Venth**, Chicago, IL (US); **Jonathan Eziquiel-Shriro**, Chicago, IL (US)

(73) Assignee: **CNH Industrial America LLC**, New Holland, PA (US)

(\*\*) Term: **14 Years**

(21) Appl. No.: **29/483,589**

(22) Filed: **Feb. 28, 2014**

(51) **LOC (10) Cl.** ..... **15-03**

(52) **U.S. Cl.**  
USPC ..... **D15/31**

(58) **Field of Classification Search**  
USPC ..... D15/10, 11, 28, 22-26, 30, 31, 33;  
D12/163, 166, 170-172; 56/13.3, 13.4,  
56/15.8, 15.9, 16.1, 16.7, 202; 180/89.1,  
180/89.12, 900, 68.4, 69.2; 293/115  
See application file for complete search history.

(56) **References Cited**

**U.S. PATENT DOCUMENTS**

D396,431 S \* 7/1998 Lindgren et al. .... D12/14  
D517,096 S \* 3/2006 Landers et al. .... D15/28

D589,067 S \* 3/2009 Yamamoto ..... D15/28  
D624,567 S \* 9/2010 Kelley ..... D15/33  
D626,153 S \* 10/2010 Gavin et al. .... D15/31  
D629,818 S \* 12/2010 Rummer et al. .... D15/31  
D632,313 S \* 2/2011 Kelley ..... D15/33  
D633,927 S \* 3/2011 Kelley ..... D15/33  
D635,154 S \* 3/2011 Rummer et al. .... D15/28  
D635,157 S \* 3/2011 Rummer et al. .... D15/31  
D668,694 S \* 10/2012 Tezuka et al. .... D15/31  
D676,466 S \* 2/2013 Ewringmann et al. .... D15/31

\* cited by examiner

*Primary Examiner* — Mark Goodwin

(74) *Attorney, Agent, or Firm* — Patrick M. Sheldrake;  
Sayed V. Sharifi T.

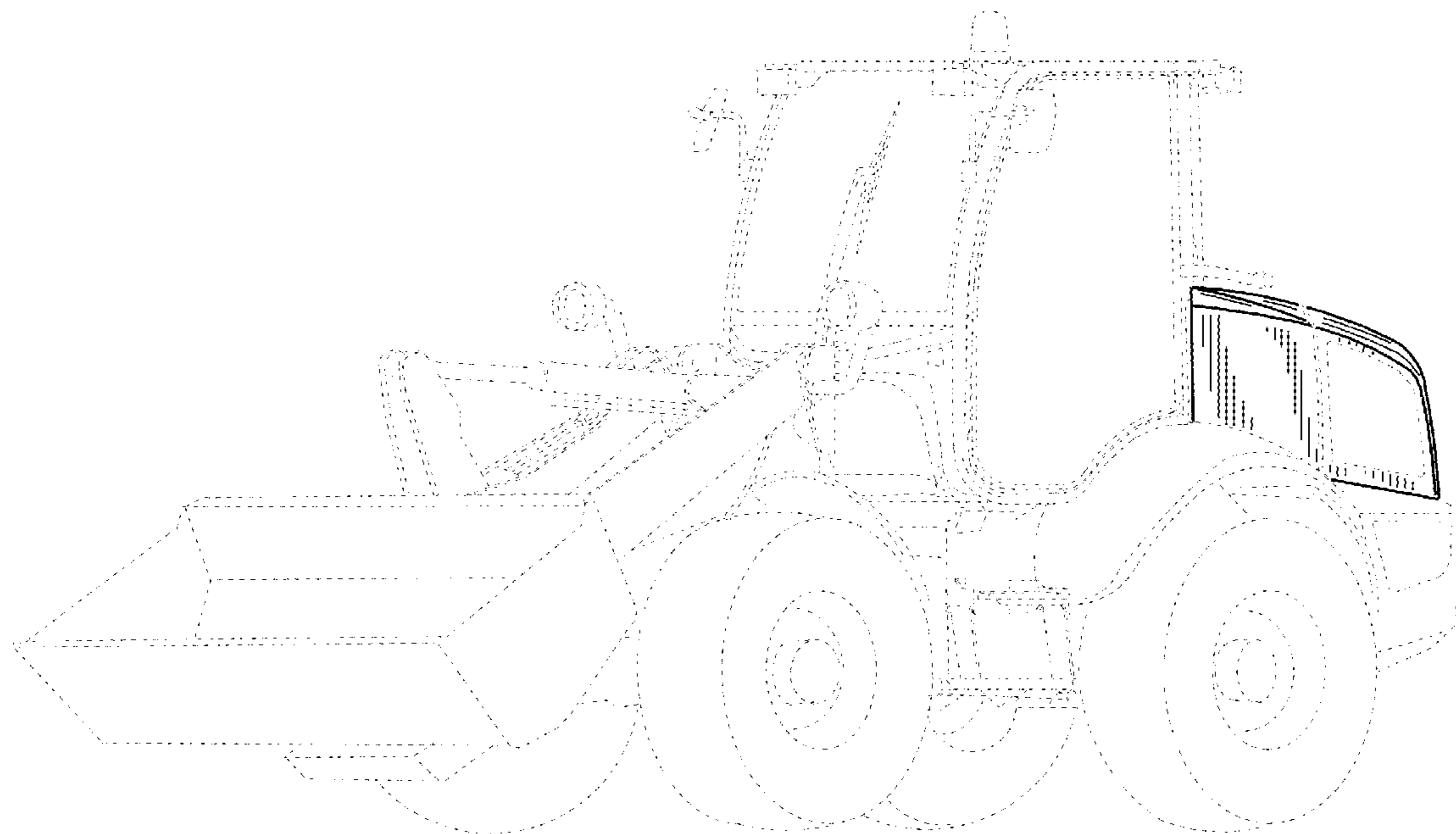
(57) **CLAIM**

We claim the ornamental design for the work vehicle hood, as shown and described.

**DESCRIPTION**

FIG. 1 is a front perspective view of a work vehicle hood showing an embodiment of our new design;  
FIG. 2 is a side view thereof;  
FIG. 3 is an opposite side view thereof;  
FIG. 4 is a rear view thereof;  
FIG. 5 is a front view thereof;  
FIG. 6 is a top view thereof; and,  
FIG. 7 is a bottom view thereof.  
The dashed portions of the drawings only show environment and form no part of the claimed design. The bottom view is also included for reference purposes and does not form part of the claimed design.

**1 Claim, 6 Drawing Sheets**



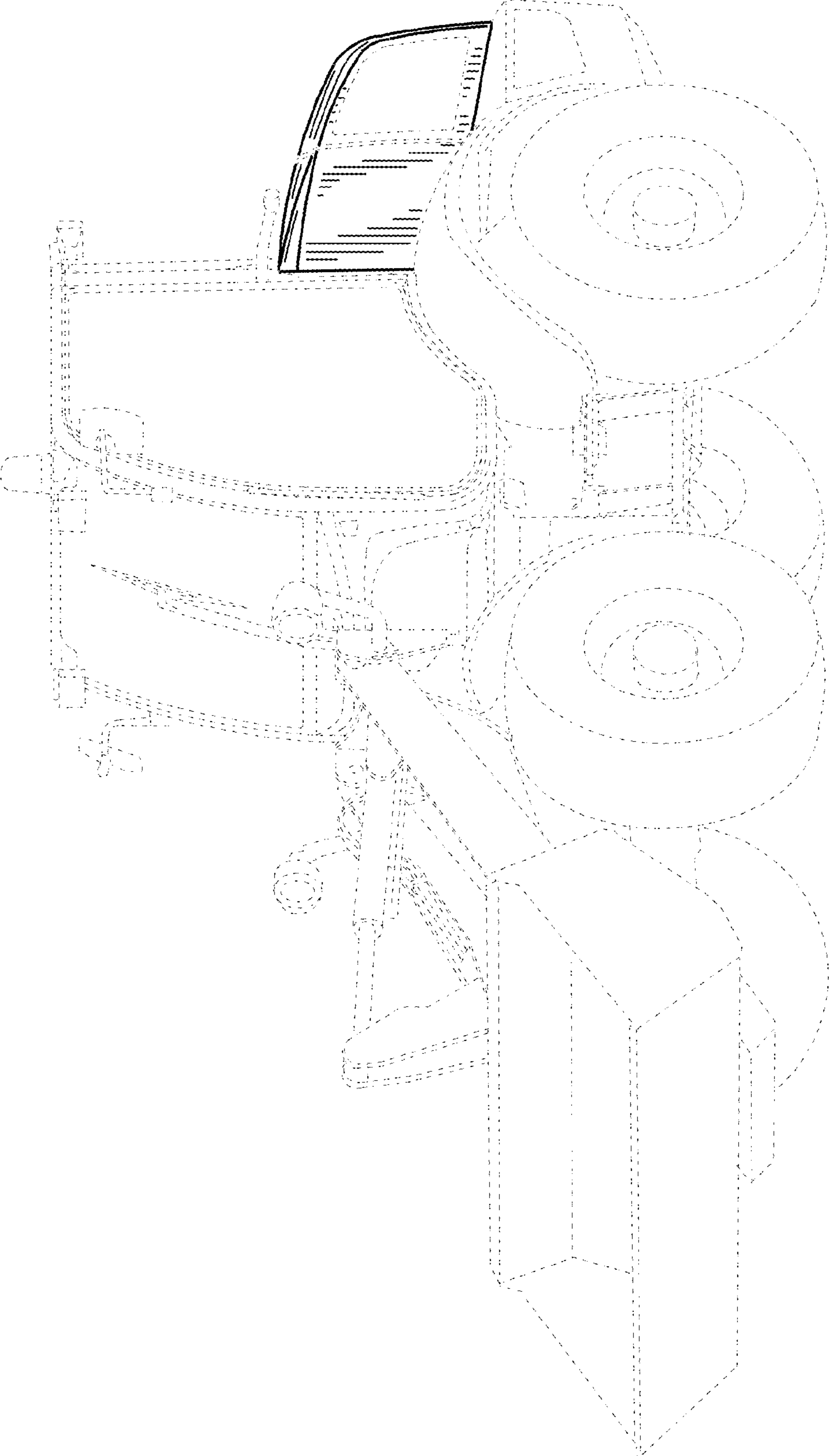


FIG. 1

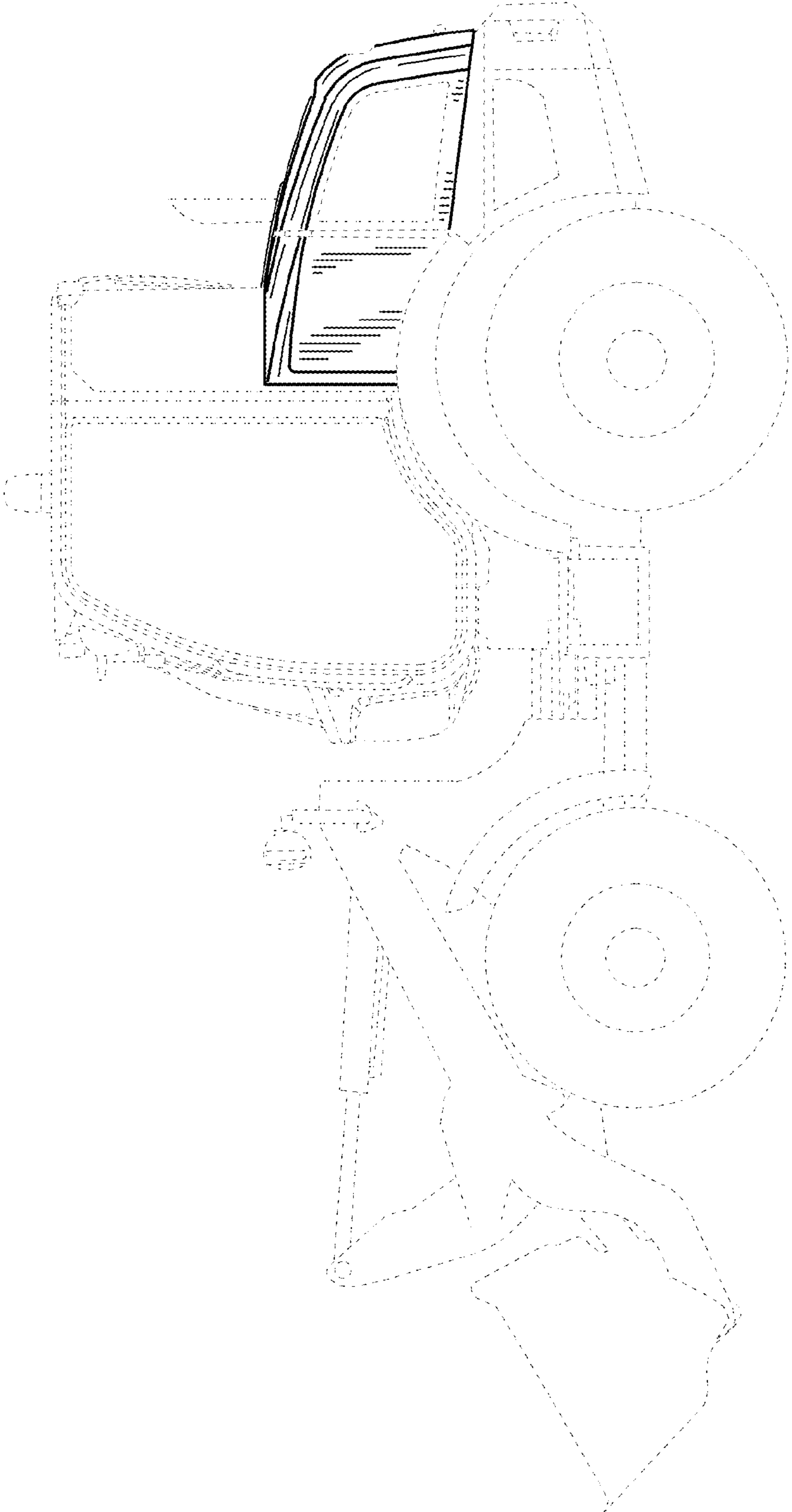


FIG. 2

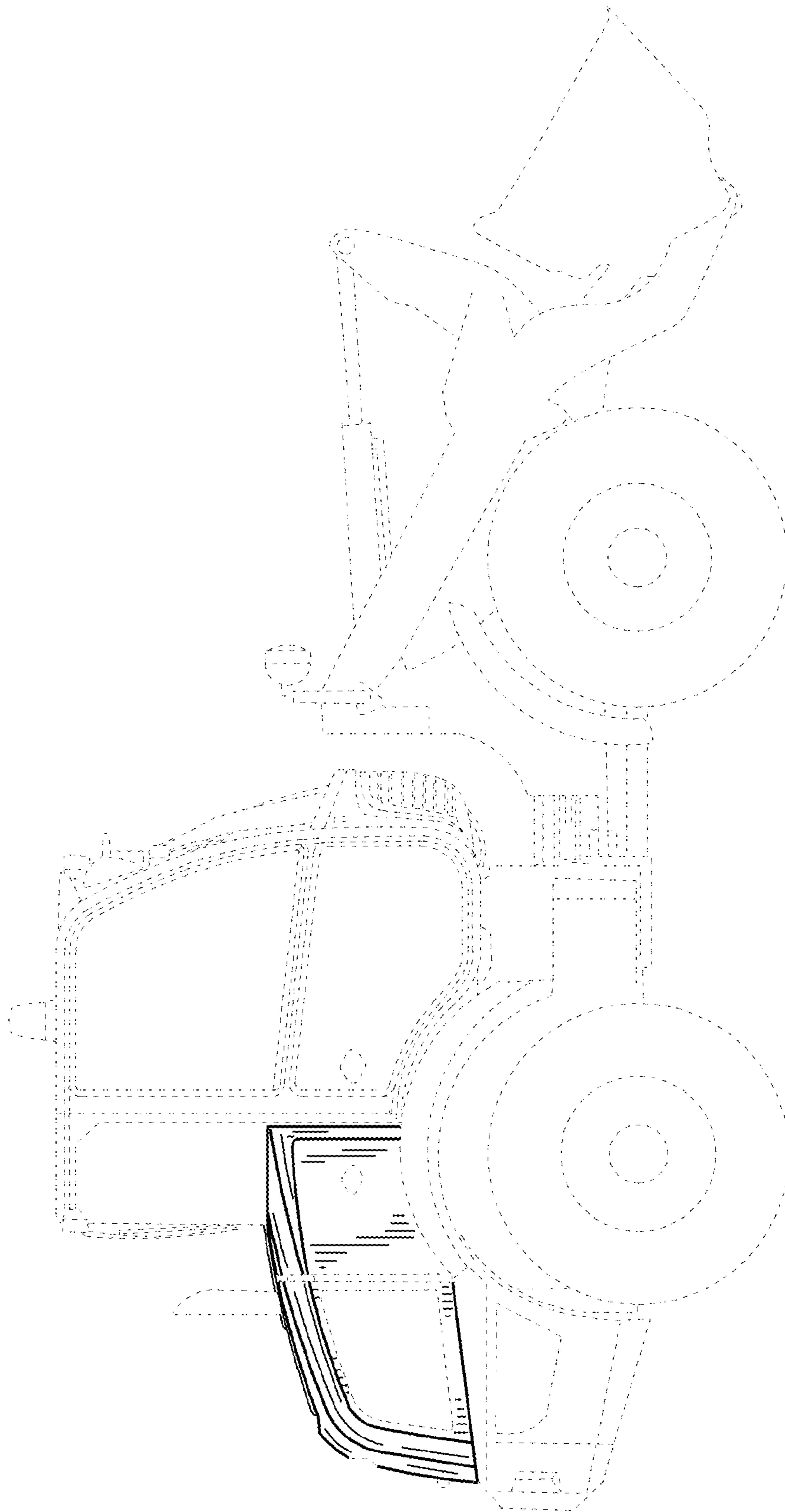


FIG. 3

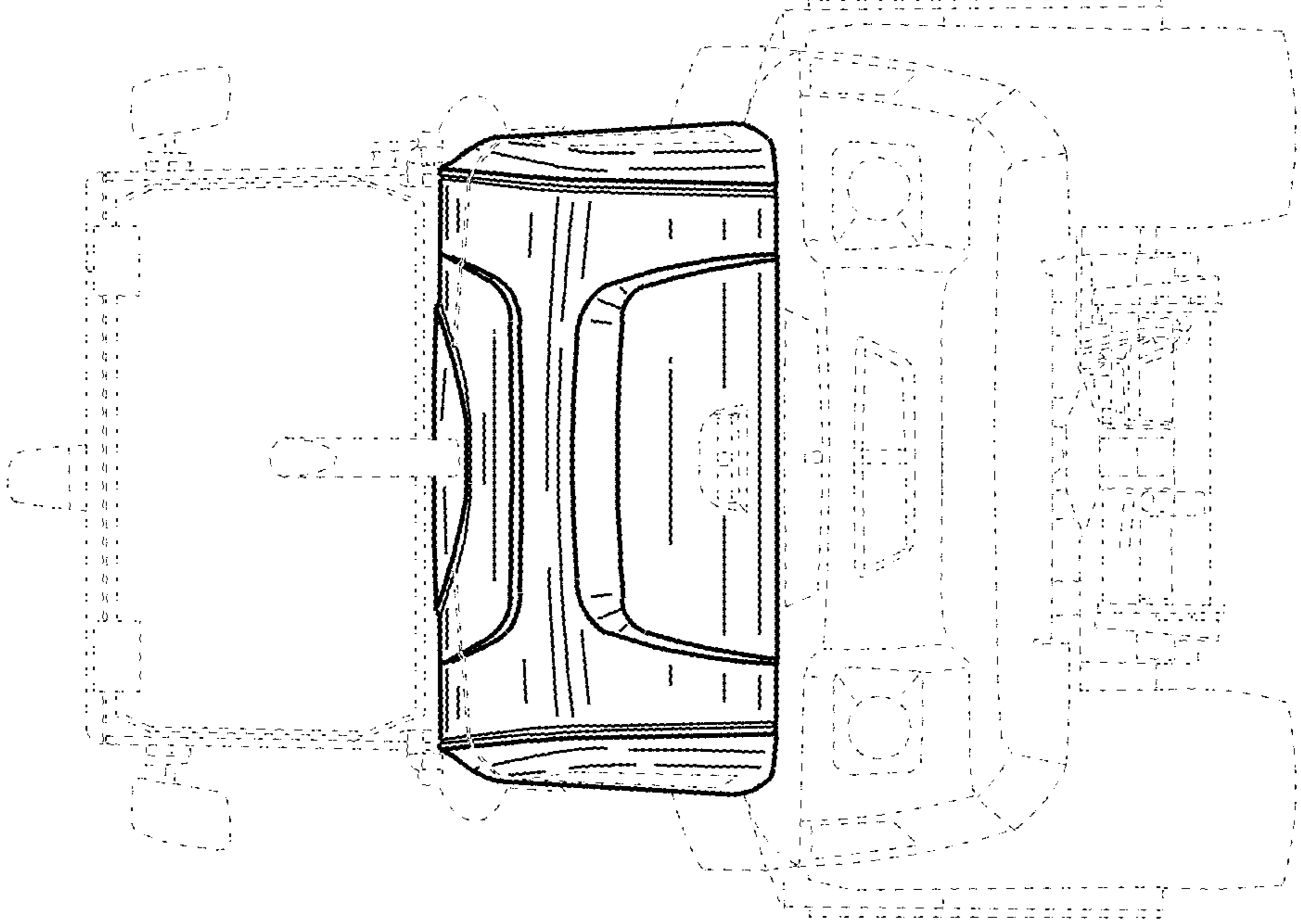


FIG. 5

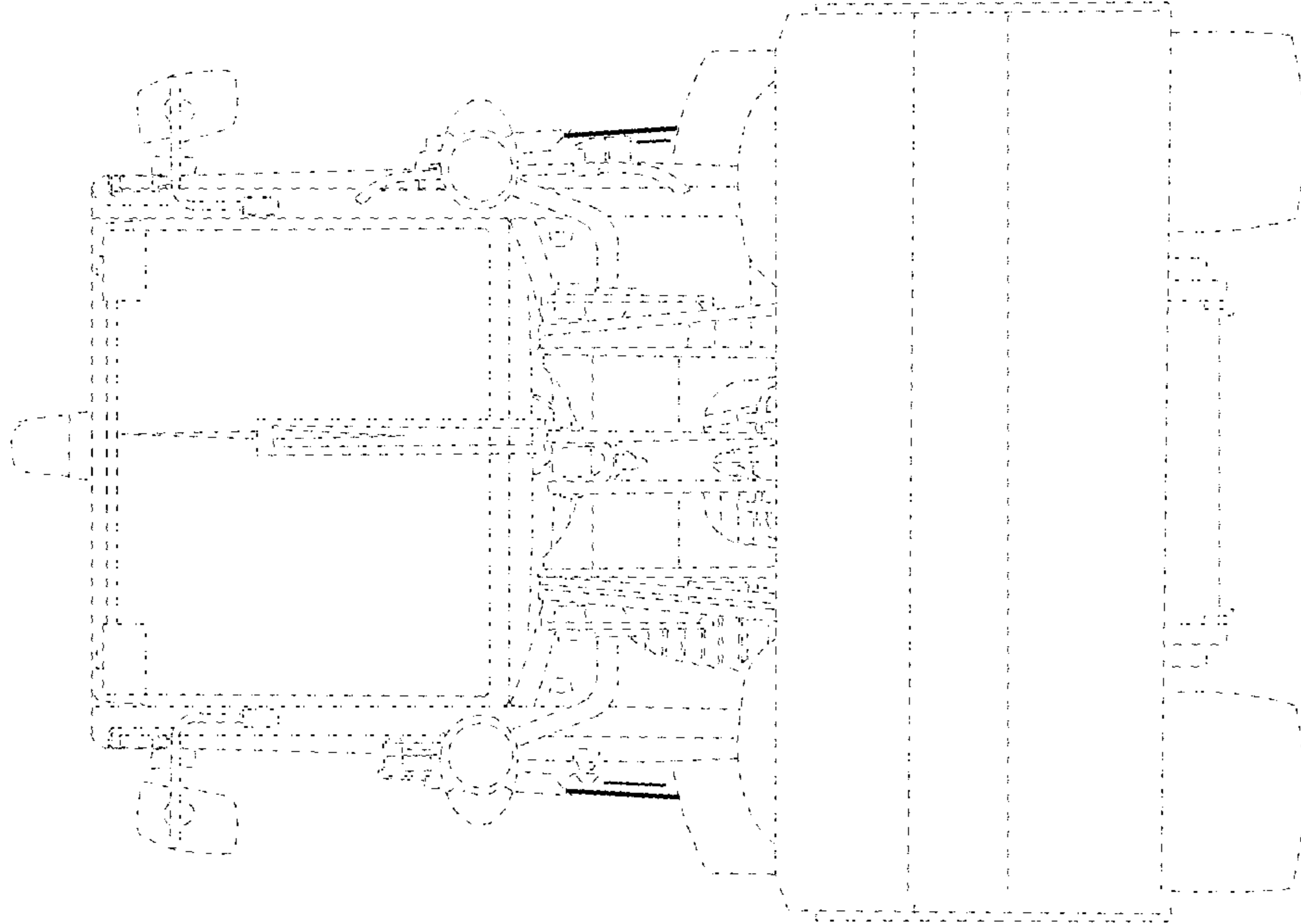


FIG. 4



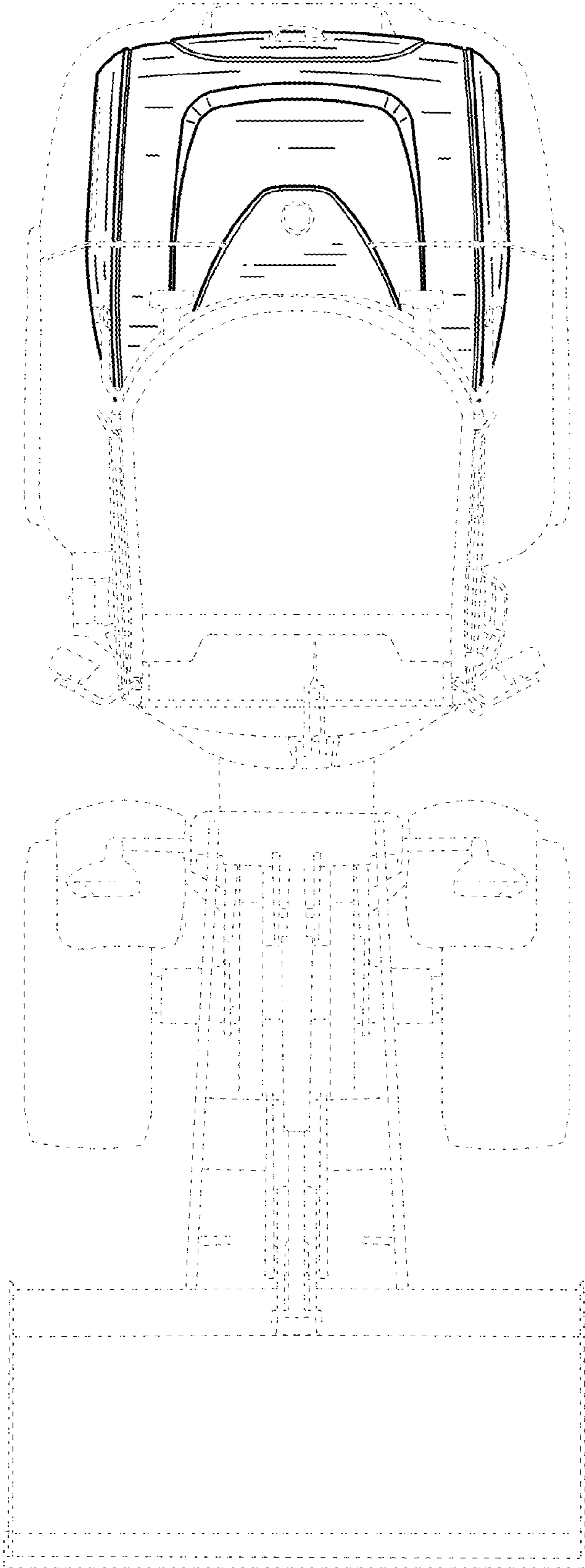


FIG. 6

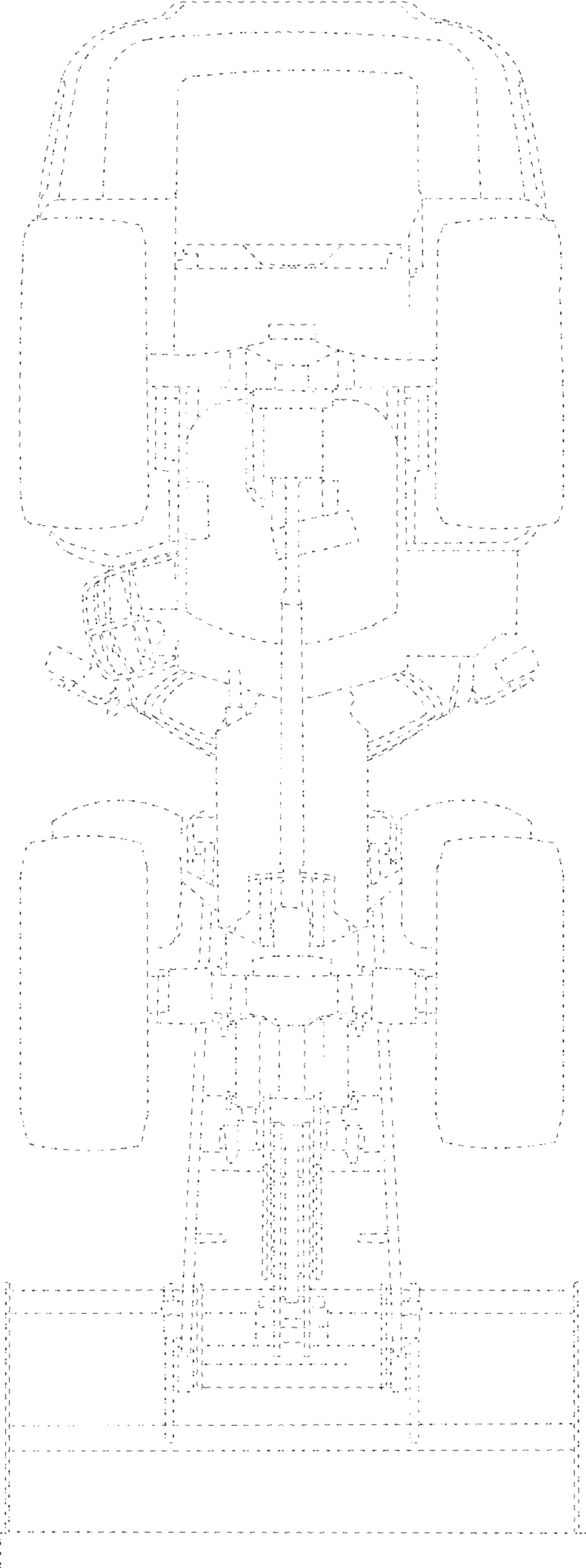


FIG. 7