



US00D715330S

(12) **United States Design Patent**
Hutchinson et al.

(10) **Patent No.:** **US D715,330 S**

(45) **Date of Patent:** **** Oct. 14, 2014**

(54) **AUXILIARY POWER UNIT EXCAVATOR**

(71) Applicant: **Company Wrench, Ltd.**, Carroll, OH (US)

(72) Inventors: **Brad Hutchinson**, Lancaster, OH (US);
Eric Thornton, Lancaster, OH (US)

(73) Assignee: **Company Wrench, Ltd.**, Carroll, OH (US)

(**) Term: **14 Years**

(21) Appl. No.: **29/481,977**

(22) Filed: **Feb. 12, 2014**

(51) **LOC (10) Cl.** **12-09**

(52) **U.S. Cl.**
USPC **D15/24; D15/22**

(58) **Field of Classification Search**
CPC E02F 3/966; E02F 3/2228; E02F 3/2296;
E02F 3/2292; E02F 3/2285; E04G 23/08
USPC D15/10, 22-26; 37/403, 411, 443, 414,
37/685, 686, 688; 180/89.13; 241/101.73,
241/266; 173/43
See application file for complete search history.

(56) **References Cited**

U.S. PATENT DOCUMENTS

D273,384	S	*	4/1984	Nasu et al.	D15/24
5,222,563	A	*	6/1993	Van Horlick	172/111
5,273,217	A	*	12/1993	Bartels et al.	241/30
D391,272	S	*	2/1998	Jin et al.	D15/25
D406,152	S	*	2/1999	Miyaoka et al.	D15/25
D409,629	S	*	5/1999	Miyaoka et al.	D15/25
D431,253	S	*	9/2000	Marchetta et al.	D15/25
D432,145	S	*	10/2000	Kraft et al.	D15/30
D433,689	S	*	11/2000	Kraft et al.	D15/30
D437,602	S	*	2/2001	Hiraoka et al.	D15/25
6,227,307	B1	*	5/2001	Lee	173/78
D450,331	S	*	11/2001	Murakami et al.	D15/25

D450,717	S	*	11/2001	Muraro	D15/25
6,321,854	B1	*	11/2001	Bisutti	173/206
6,430,849	B1	*	8/2002	Underwood	37/403
D462,973	S	*	9/2002	Tamaru et al.	D15/25
D462,974	S	*	9/2002	Yanagida et al.	D15/25
6,568,615	B2	*	5/2003	Klemm	241/101.73
D518,071	S	*	3/2006	Gwak et al.	D15/25
D538,304	S	*	3/2007	Uemura	D15/25
D540,828	S	*	4/2007	Johnson et al.	D15/25
7,257,910	B2	*	8/2007	Underwood	37/403
D609,252	S	*	2/2010	Shimada et al.	D15/25
D631,067	S	*	1/2011	Nishimura et al.	D15/24
D658,211	S	*	4/2012	Hiraoka et al.	D15/25

(Continued)

Primary Examiner — Mark Goodwin

(74) *Attorney, Agent, or Firm* — Roger A. Gilcrest

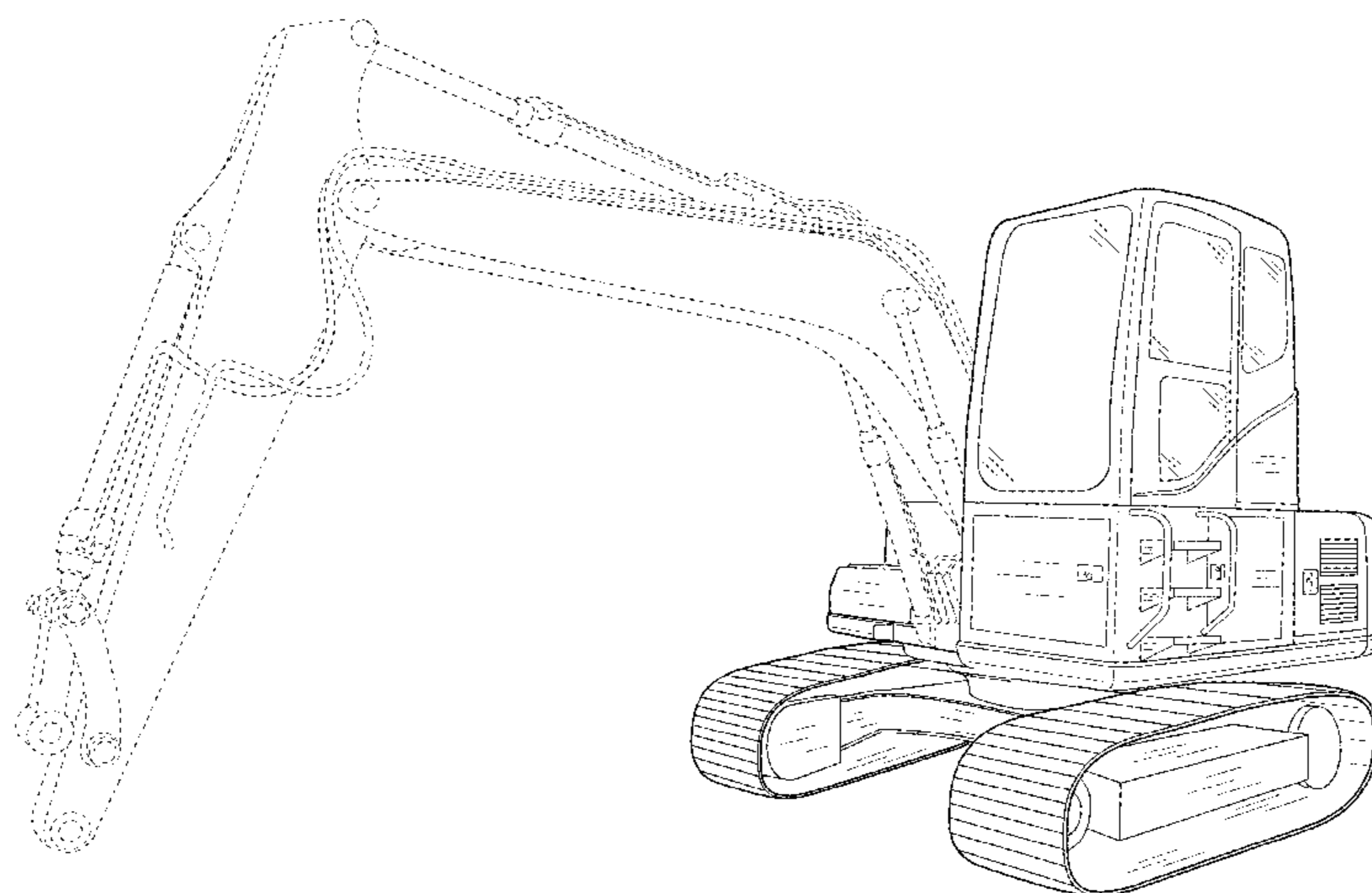
(57) **CLAIM**

The ornamental design for an auxiliary power unit excavator, as shown and described.

DESCRIPTION

FIG. 1 is a left side elevation view of the auxiliary power unit excavator;
 FIG. 2 is a right side elevation view of the auxiliary power unit excavator;
 FIG. 3 is a top side elevation view of the auxiliary power unit excavator;
 FIG. 4 is a bottom side elevation view of the auxiliary power unit excavator;
 FIG. 5 is a front side elevation view of the auxiliary power unit excavator;
 FIG. 6 is a back side elevation view of the auxiliary power unit excavator; and,
 FIG. 7 is a left front perspective view of the auxiliary power unit excavator.
 The broken line portions of the auxiliary power unit excavator shown in FIGS. 1-7 are for environment or application purposes only, and form no part of the claimed design.

1 Claim, 6 Drawing Sheets



US D715,330 S

Page 2

(56)

References Cited

U.S. PATENT DOCUMENTS

D663,324 S * 7/2012 Fuchita et al. D15/25
8,387,289 B2 * 3/2013 Hanakawa et al. 37/348
D681,689 S * 5/2013 Saito et al. D15/24

D682,322 S * 5/2013 Suzuki D15/25
D684,598 S * 6/2013 Hagura et al. D15/24
D684,599 S * 6/2013 Saito et al. D15/24

* cited by examiner

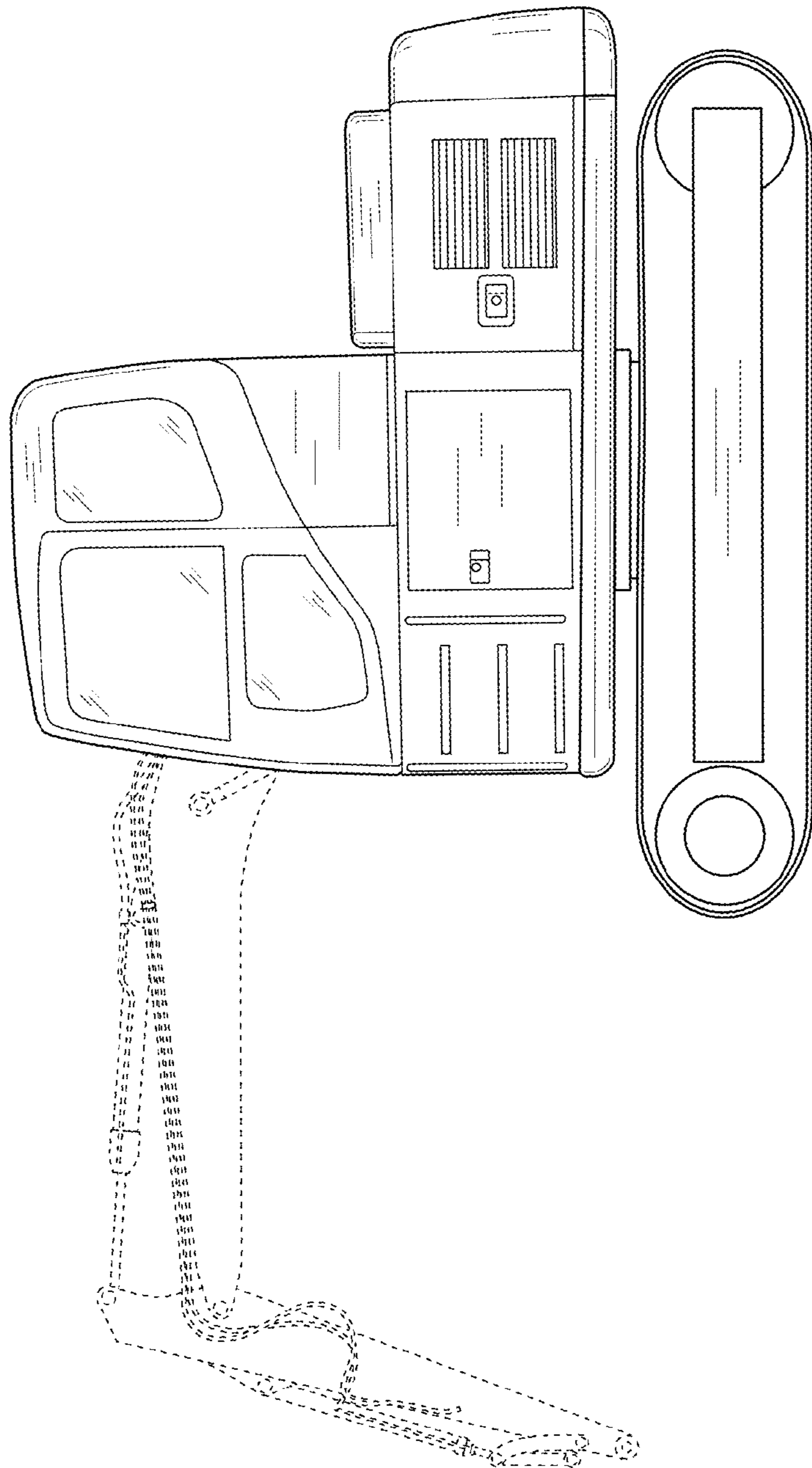


FIG. 1

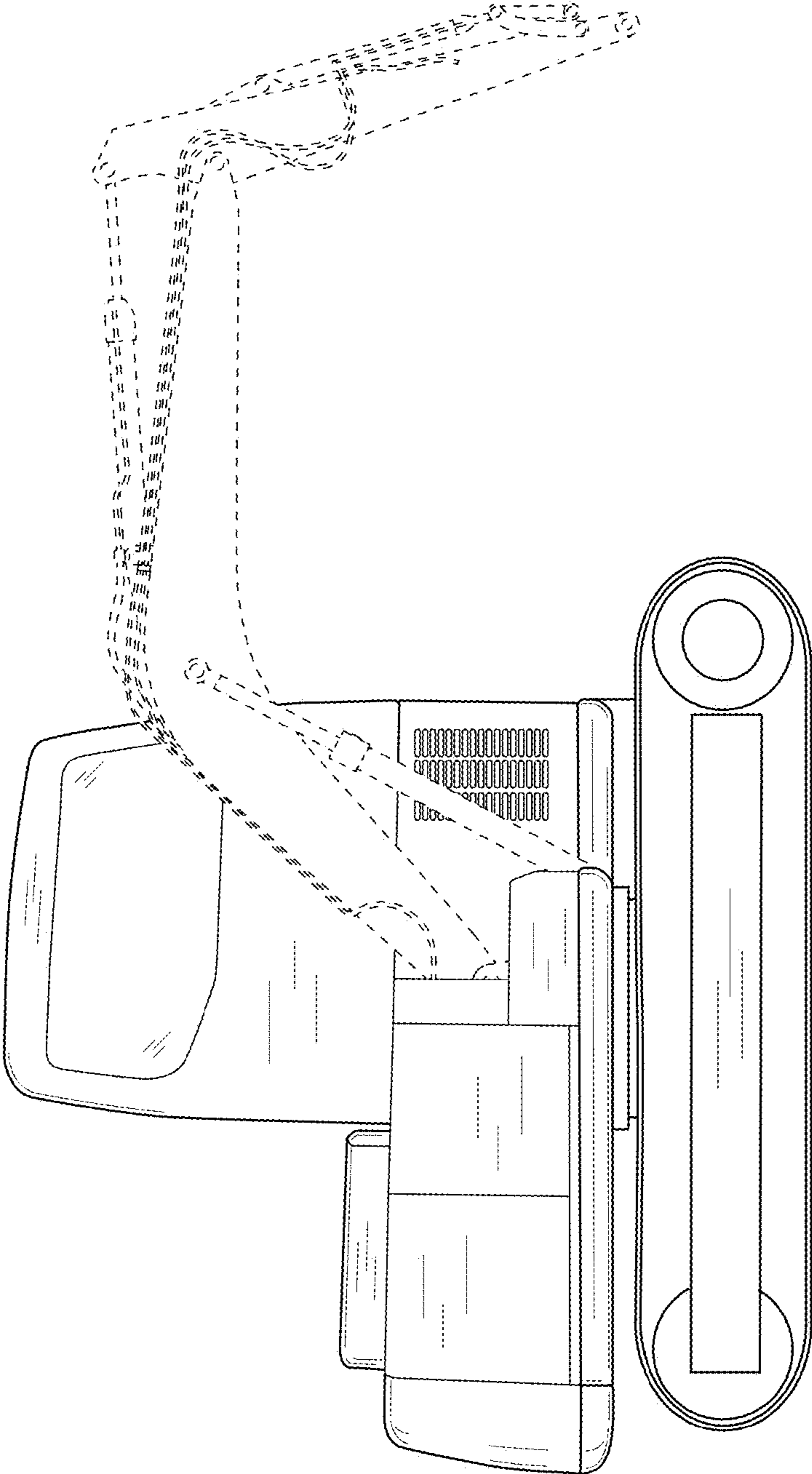


FIG. 2

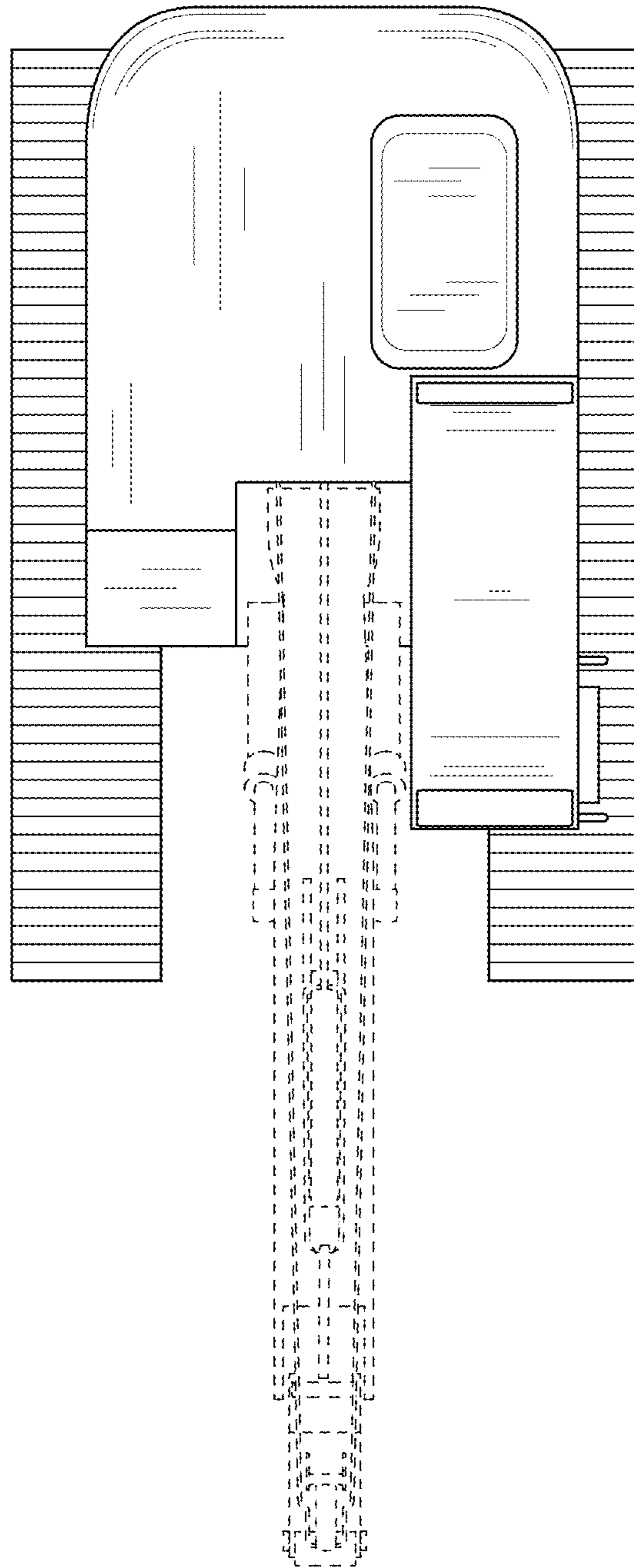


FIG. 3

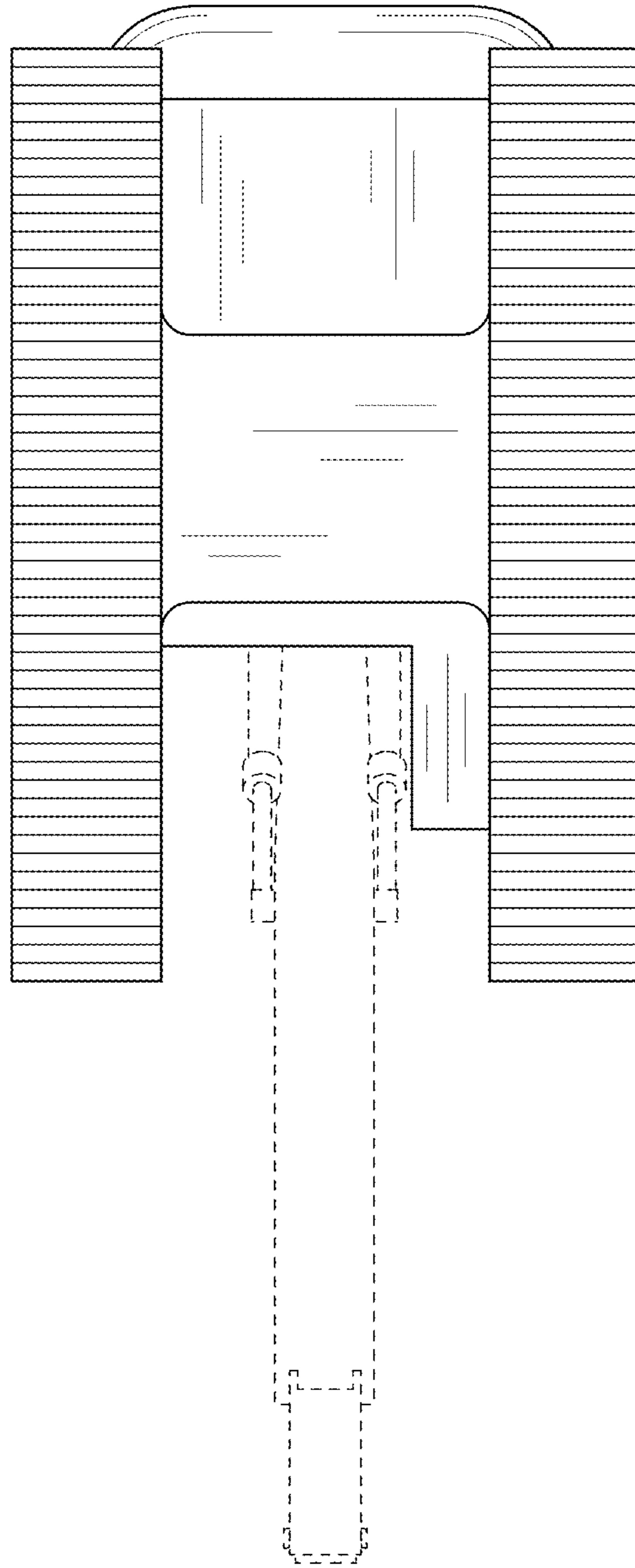


FIG. 4

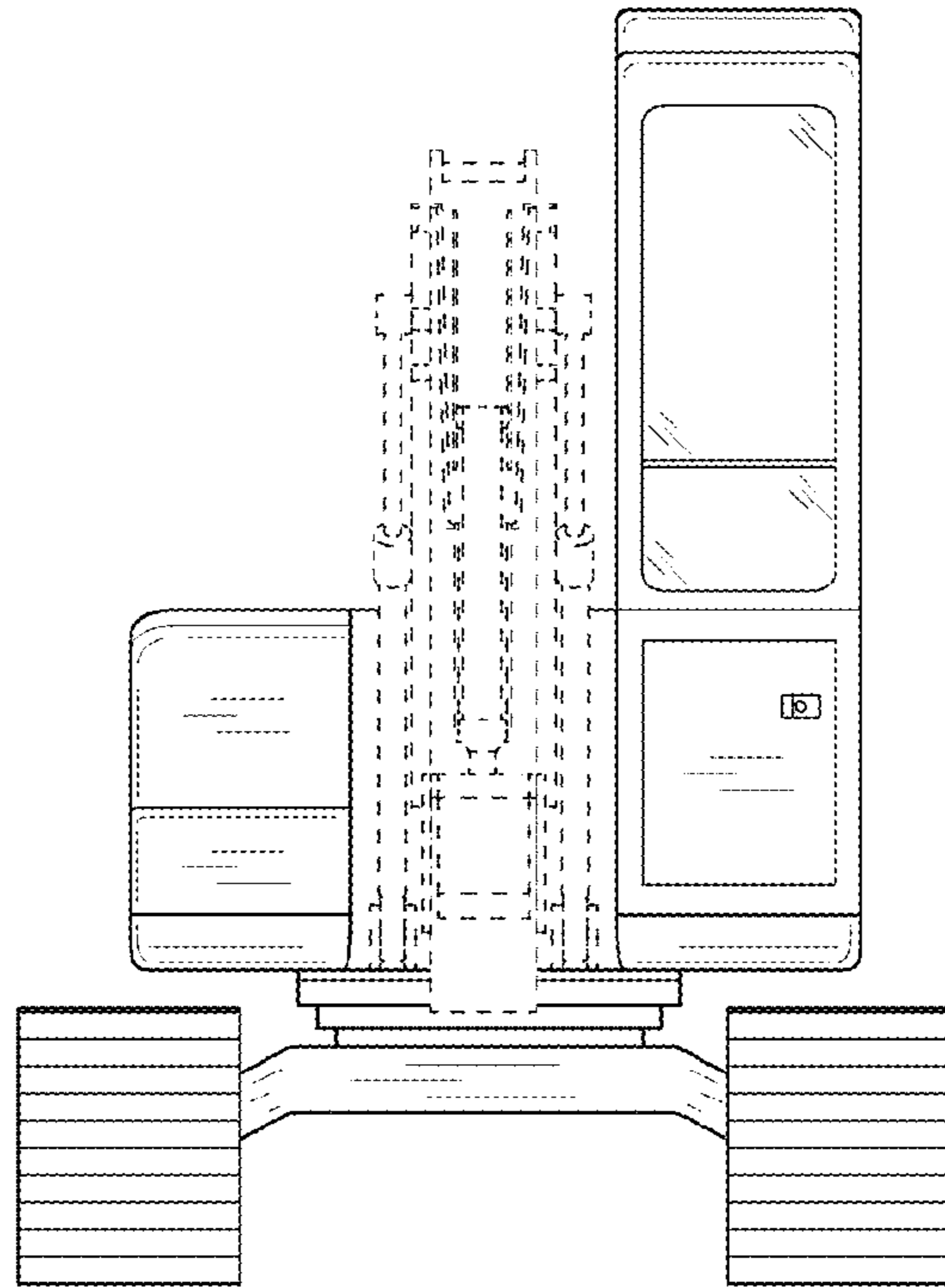


FIG. 5

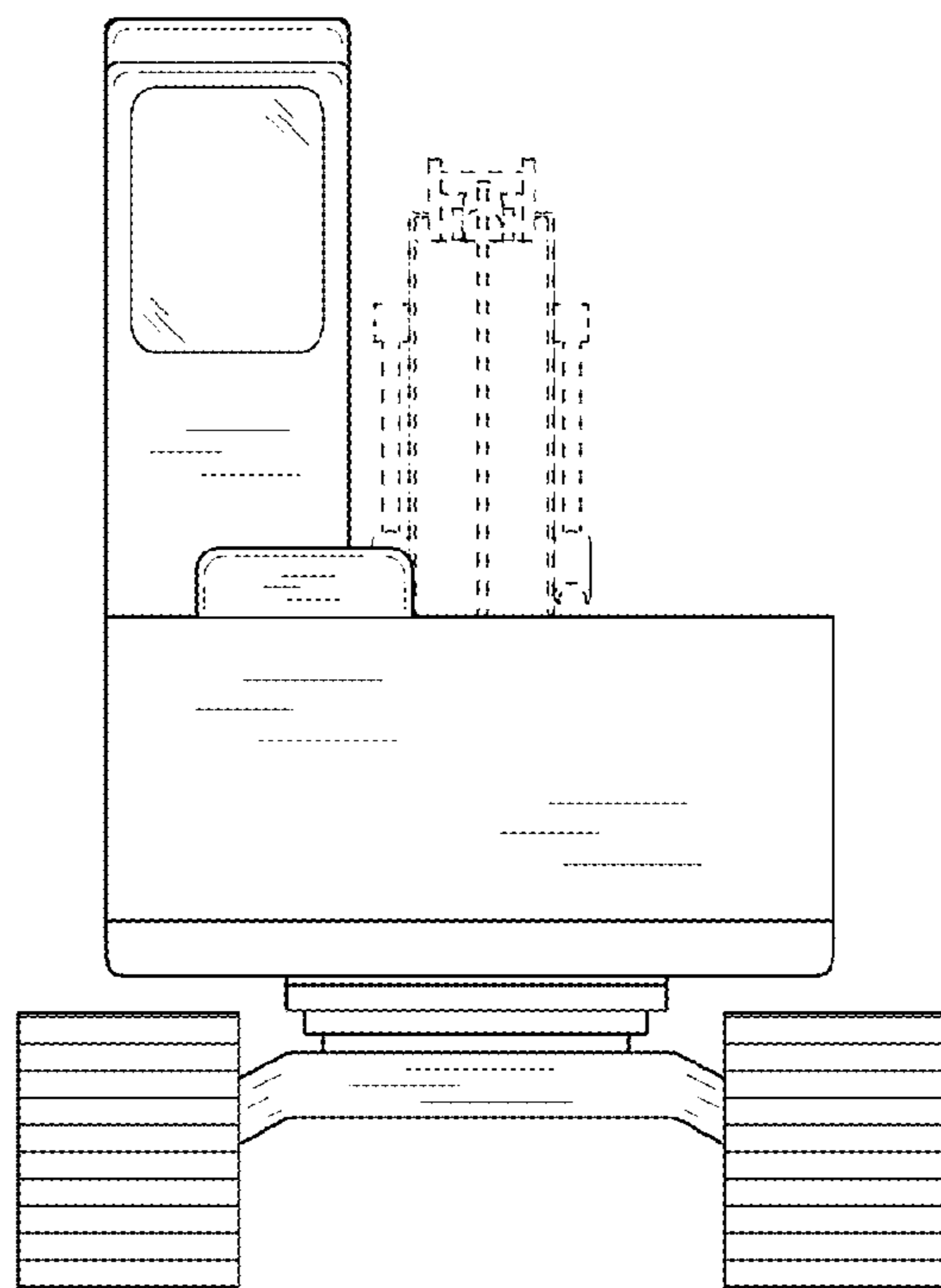


FIG. 6

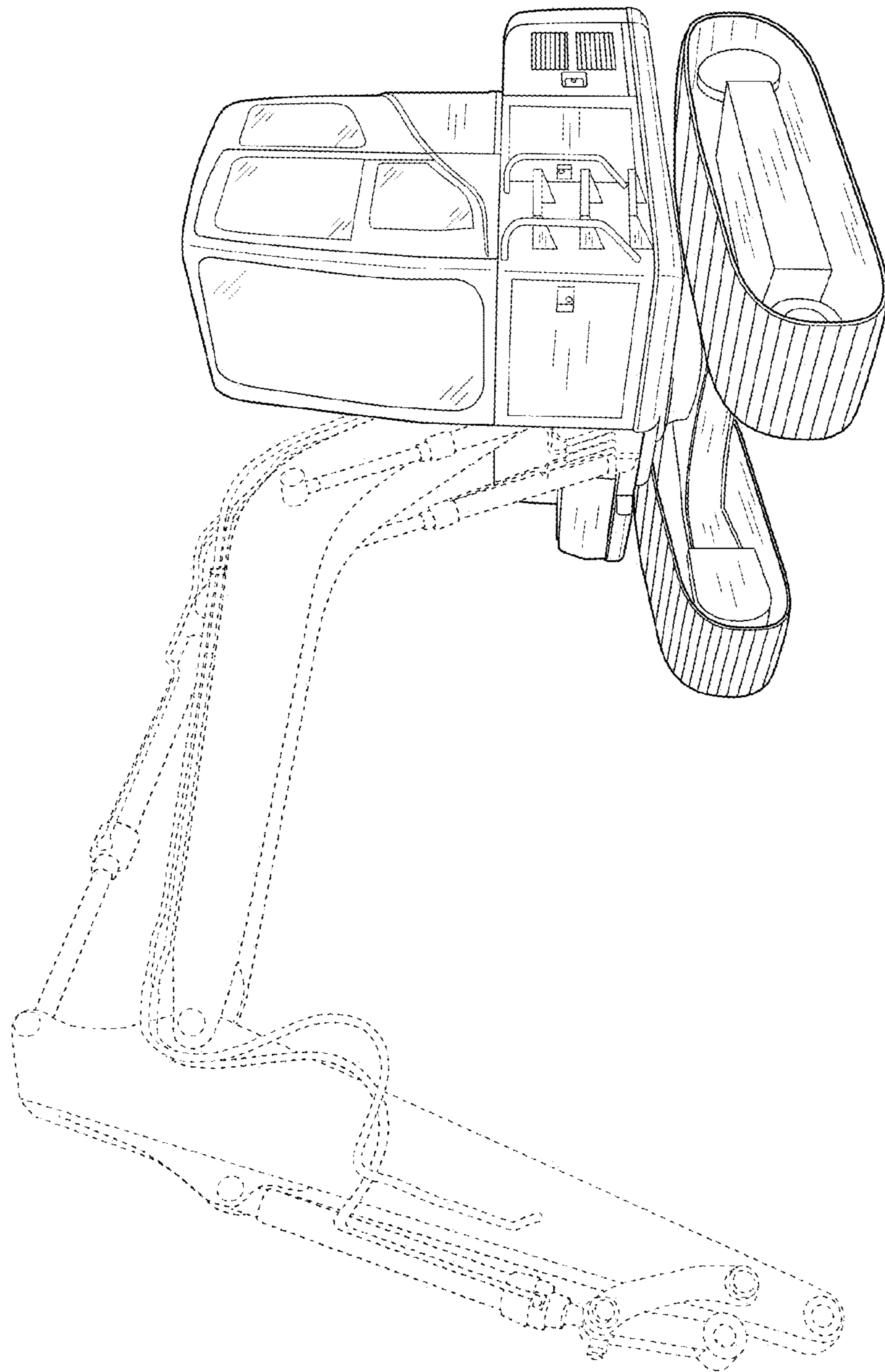


FIG. 7