



US00D715329S

(12) **United States Design Patent**
Higashikawa et al.

(10) **Patent No.:** **US D715,329 S**

(45) **Date of Patent:** **** Oct. 14, 2014**

(54) **PORTION OF MOWER**

(71) Applicant: **Kubota Corporation**, Osaka (JP)

(72) Inventors: **Yoshitaka Higashikawa**, Sakai (JP);
Masanori Fujino, Sakai (JP)

(73) Assignee: **Kubota Corporation**, Osaka (JP)

(**) Term: **14 Years**

(21) Appl. No.: **29/463,890**

(22) Filed: **Mar. 28, 2014**

(30) **Foreign Application Priority Data**

Sep. 30, 2013 (JP) 2013-022700

(51) **LOC (10) Cl.** **15-03**

(52) **U.S. Cl.**
USPC **D15/17; D15/15**

(58) **Field of Classification Search**
USPC D15/10, 14-17, 22, 28, 33; 56/12.1,
56/12.7, 12.8, 13.4, 13.7, 16.7, 17.1, 17.5,
56/202, 255, 320.1-320.2; 180/89.1, 311
See application file for complete search history.

(56) **References Cited**

U.S. PATENT DOCUMENTS

D340,461 S *	10/1993	Patterson et al.	D15/15
D340,936 S *	11/1993	Matsuda et al.	D15/15
D344,959 S *	3/1994	Patterson et al.	D15/17
D344,960 S *	3/1994	Patterson et al.	D15/17
D362,447 S *	9/1995	Lamb	D15/15
D386,189 S *	11/1997	Wolf	D15/15
D387,358 S *	12/1997	Wolf	D15/15
D387,359 S *	12/1997	Wolf	D15/17
D389,160 S *	1/1998	Wolf	D15/17
D392,981 S *	3/1998	Smith	D15/15
D393,267 S *	4/1998	Wolf	D15/17
D397,121 S *	8/1998	Smith	D15/15

D398,311 S *	9/1998	Smith	D15/15
D440,233 S *	4/2001	Smith	D15/17
D442,972 S *	5/2001	Wolf	D15/15
D447,491 S *	9/2001	Goebert et al.	D15/17
D450,330 S *	11/2001	Katoh et al.	D15/15
D453,777 S *	2/2002	Williams	D15/33
D455,156 S *	4/2002	Rittfeldt	D15/10
D455,764 S *	4/2002	Williams	D15/33
D457,175 S *	5/2002	Goebert et al.	D15/33
D495,718 S *	9/2004	Higashikawa	D15/15
D512,444 S *	12/2005	Ayers et al.	D15/15
D636,001 S *	4/2011	Martin et al.	D15/33
D656,965 S *	4/2012	Ortlund et al.	D15/17
D674,409 S	1/2013	Higashikawa		

(Continued)

Primary Examiner — Mark Goodwin

(74) *Attorney, Agent, or Firm* — Masuvalley & Partners

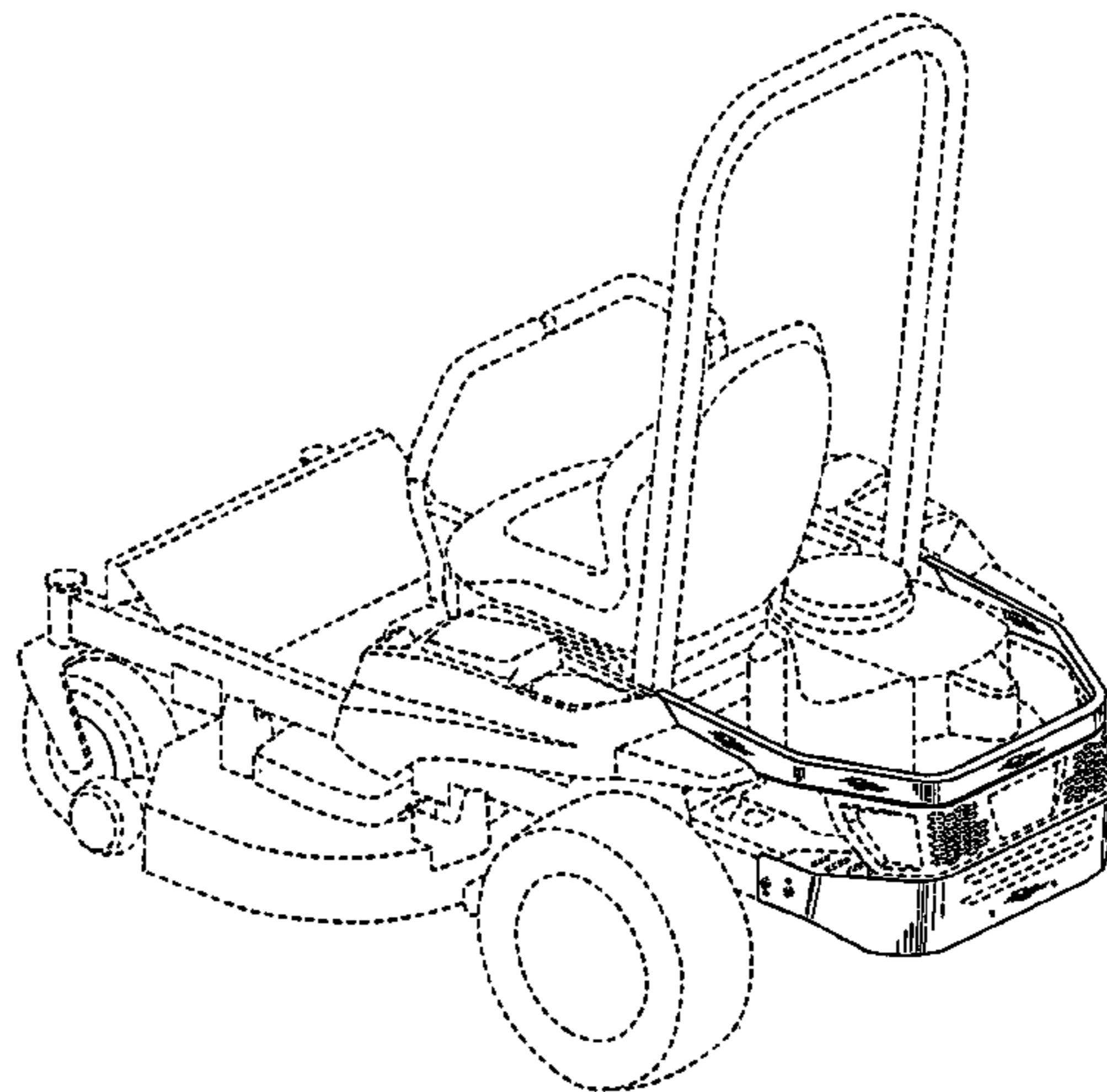
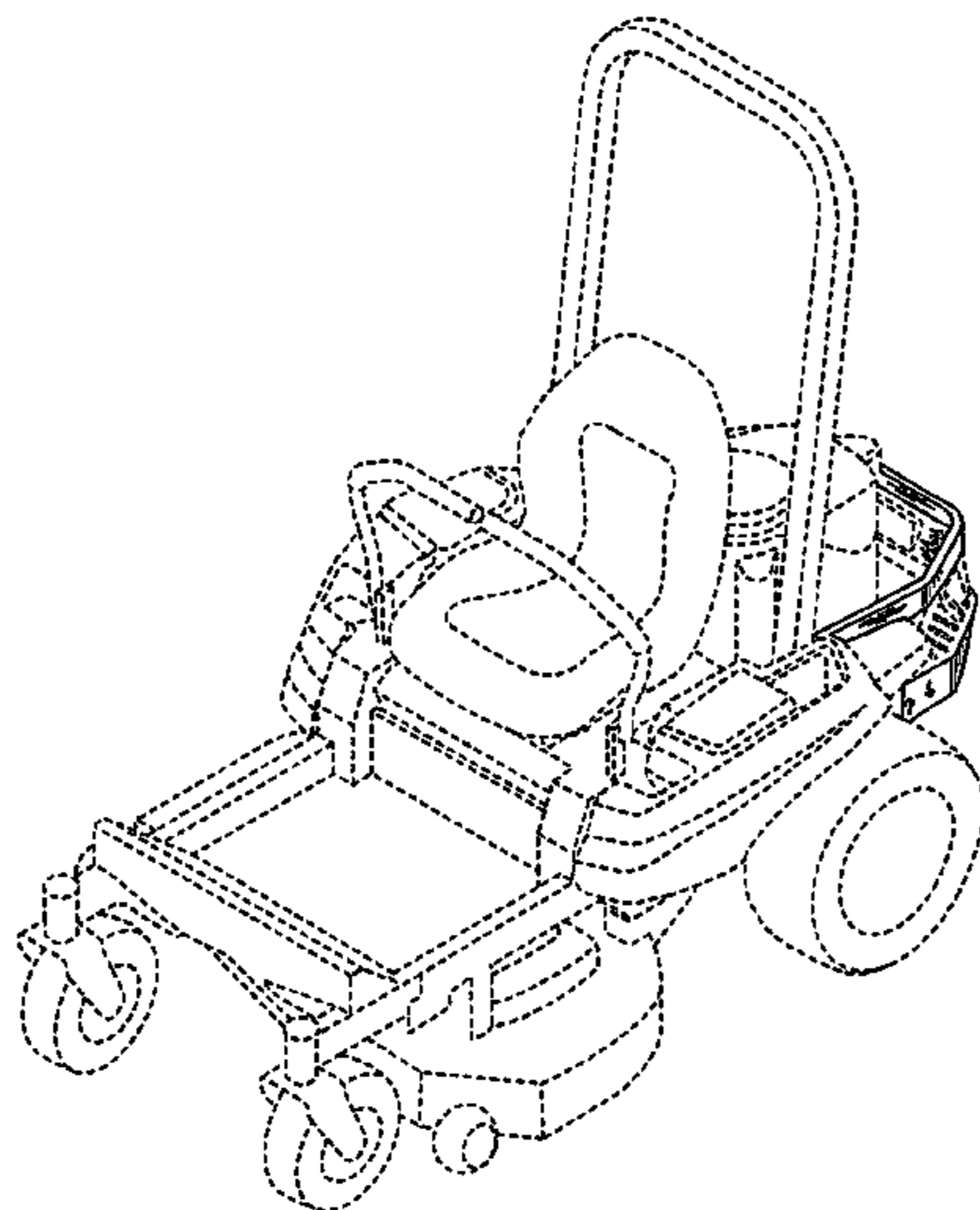
(57) **CLAIM**

The ornamental design for a portion of mower, as shown and described.

DESCRIPTION

FIG. 1 is a perspective view of the portion of mower according to the invention;
 FIG. 2 is another perspective view of the portion of mower of FIG. 1;
 FIG. 3 is a front elevation view of the portion of mower of FIG. 1;
 FIG. 4 is a rear elevation view of the portion of mower of FIG. 1;
 FIG. 5 is a left side elevation view of the portion of mower of FIG. 1;
 FIG. 6 is a right side elevation view of the portion of mower of FIG. 1; and,
 FIG. 7 is a top plan view of the portion of mower of FIG. 1.
 The broken line disclosure, as well as line shading in parts of the drawings are included for the purpose of illustrating use and environment and form no part of the claimed design.

1 Claim, 7 Drawing Sheets



(56)

References Cited

U.S. PATENT DOCUMENTS

D674,816 S 1/2013 Higashikawa et al.
D681,064 S 4/2013 Higashikawa
D681,685 S 5/2013 Higashikawa

D681,686 S 5/2013 Higashikawa
D681,687 S 5/2013 Higashikawa
D681,688 S 5/2013 Higashikawa
D693,852 S * 11/2013 Brazier et al. D15/17

* cited by examiner

FIG. 1

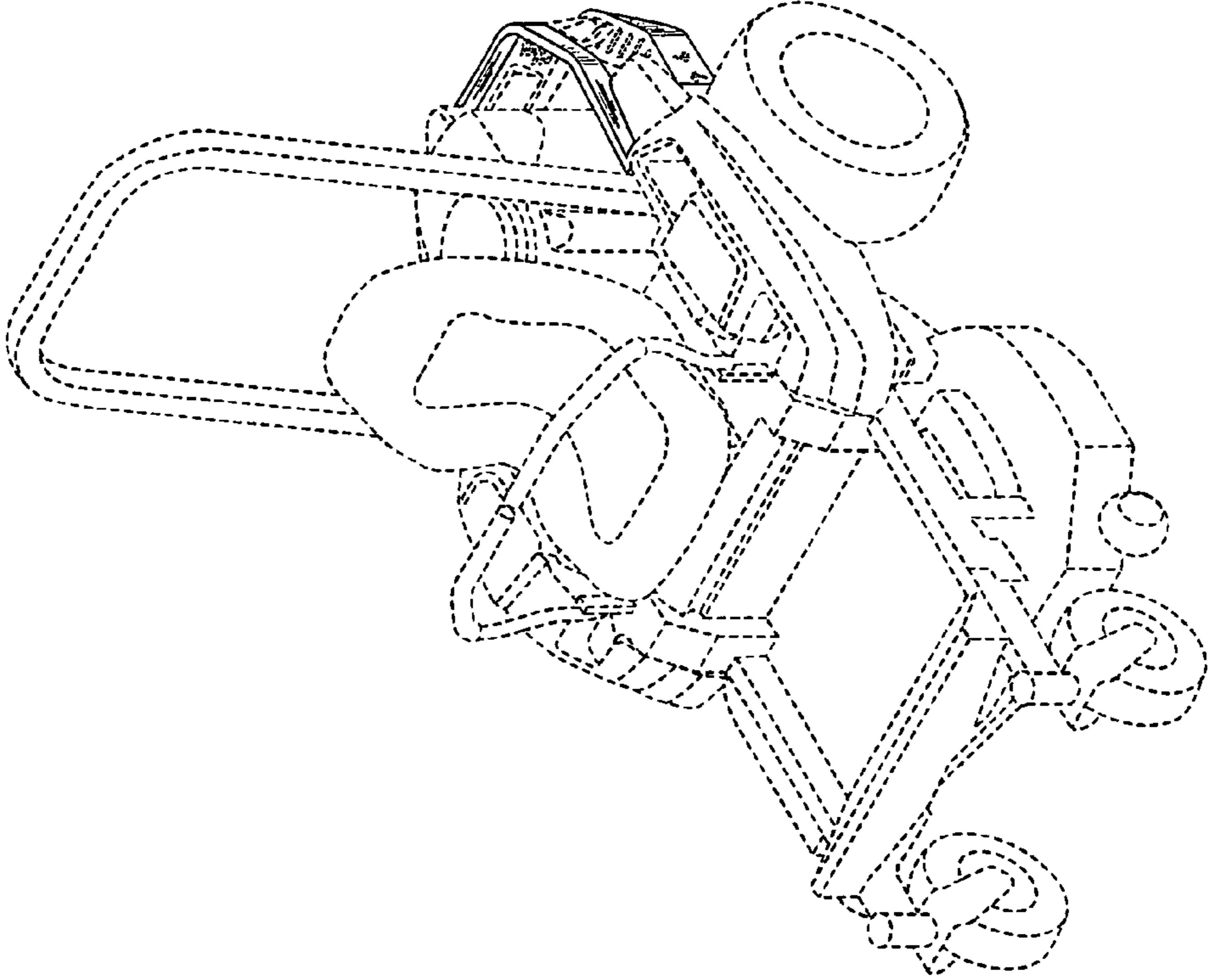


FIG. 2

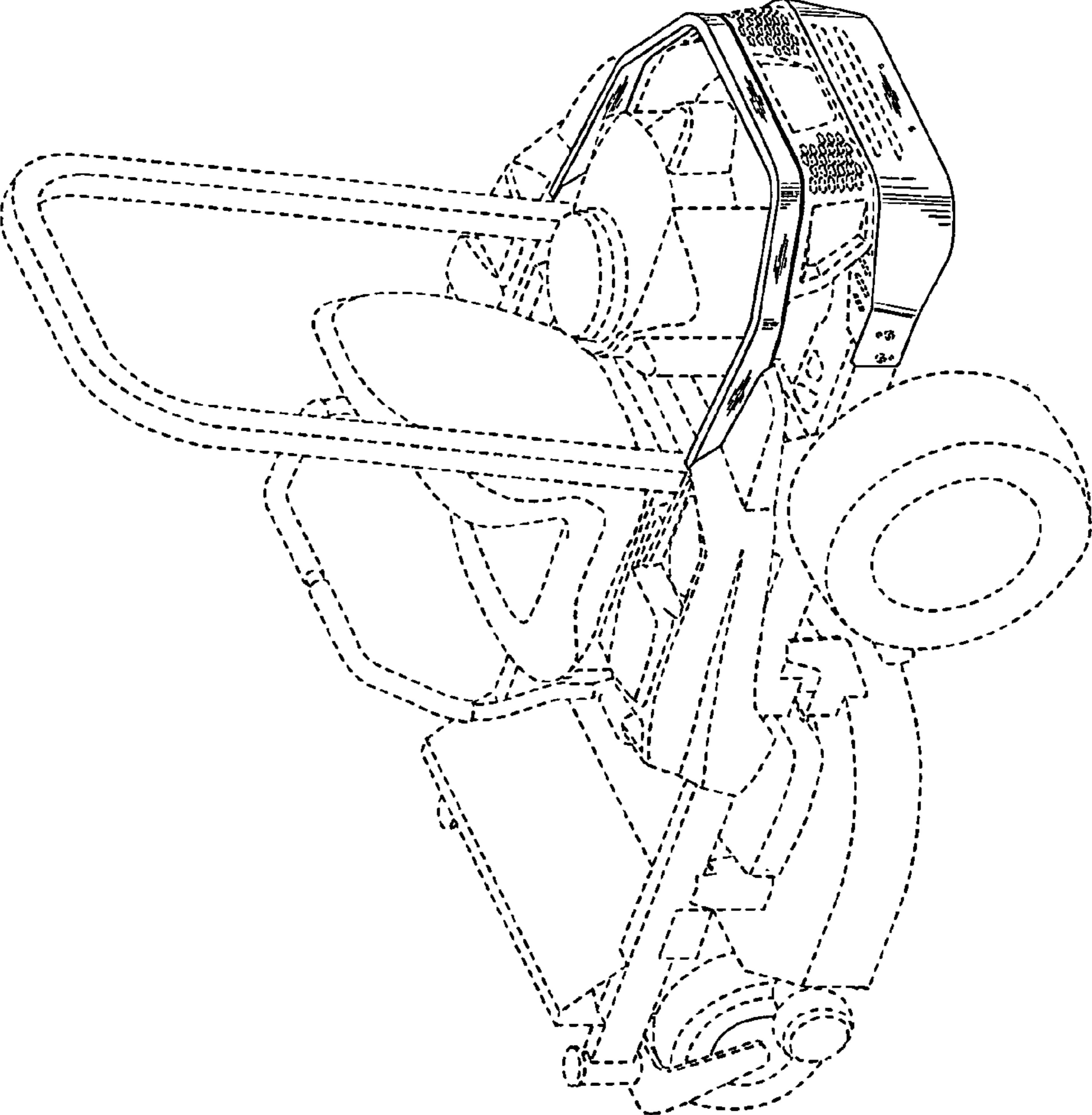


FIG. 3

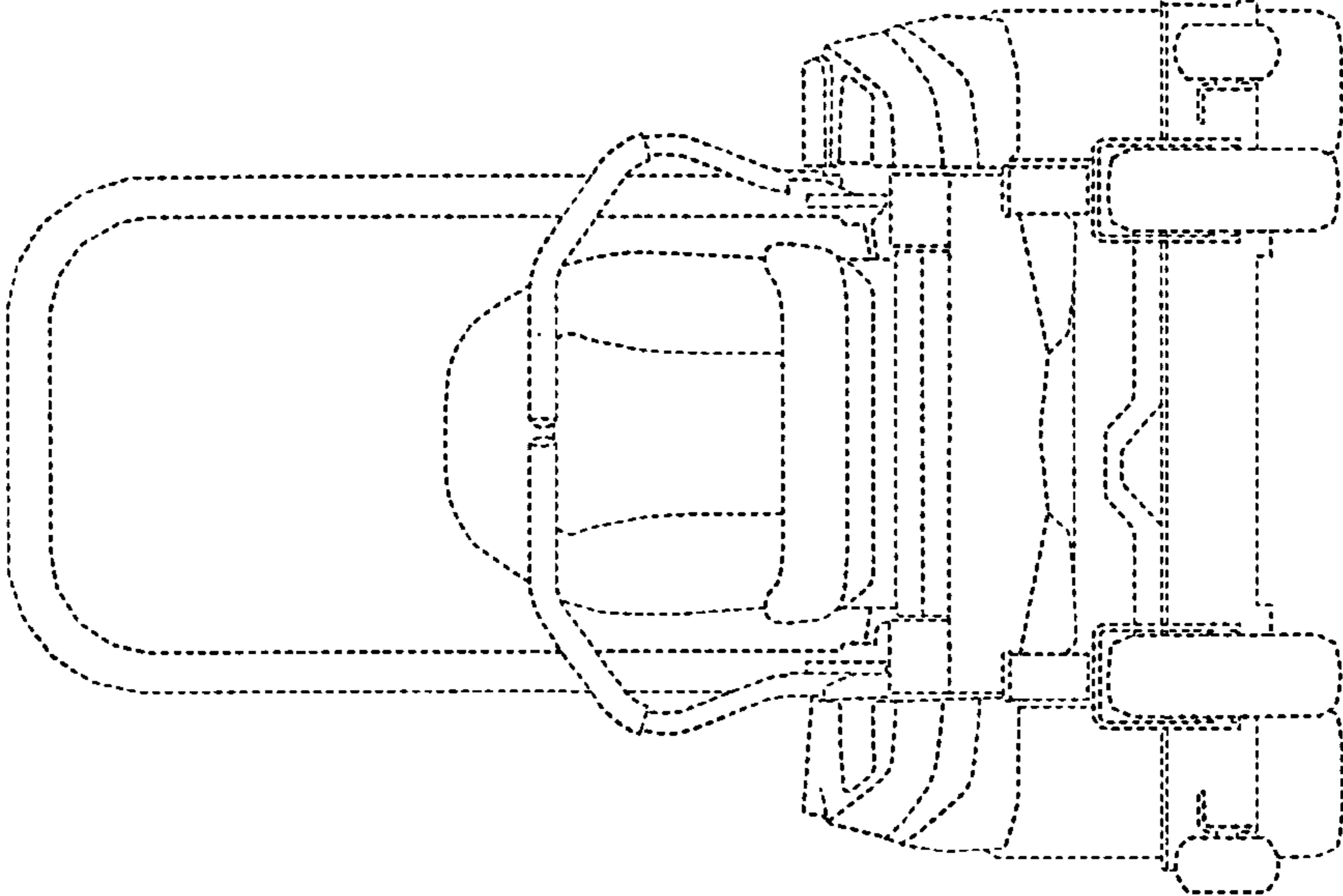


FIG. 4

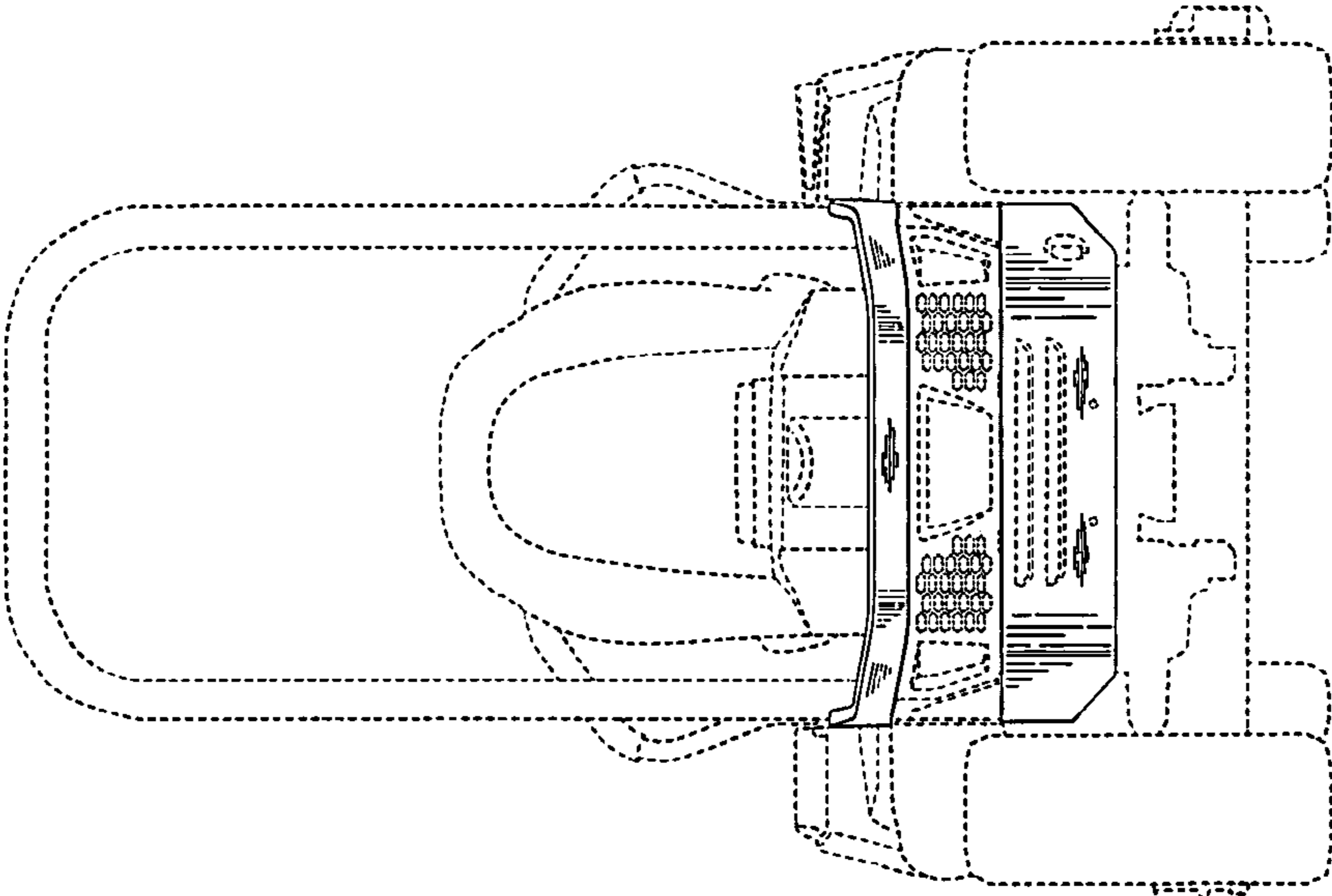


FIG. 5

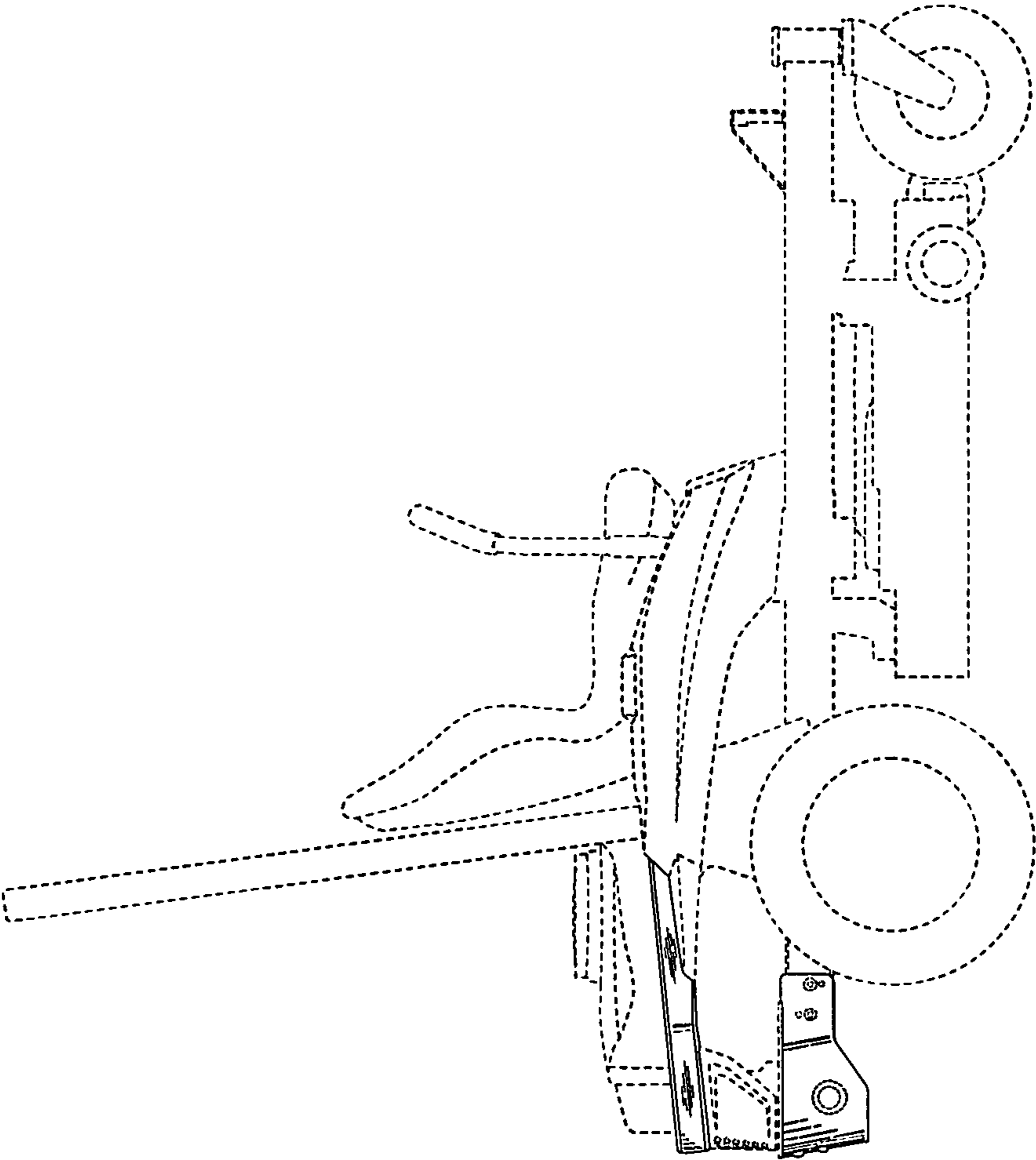


FIG. 6

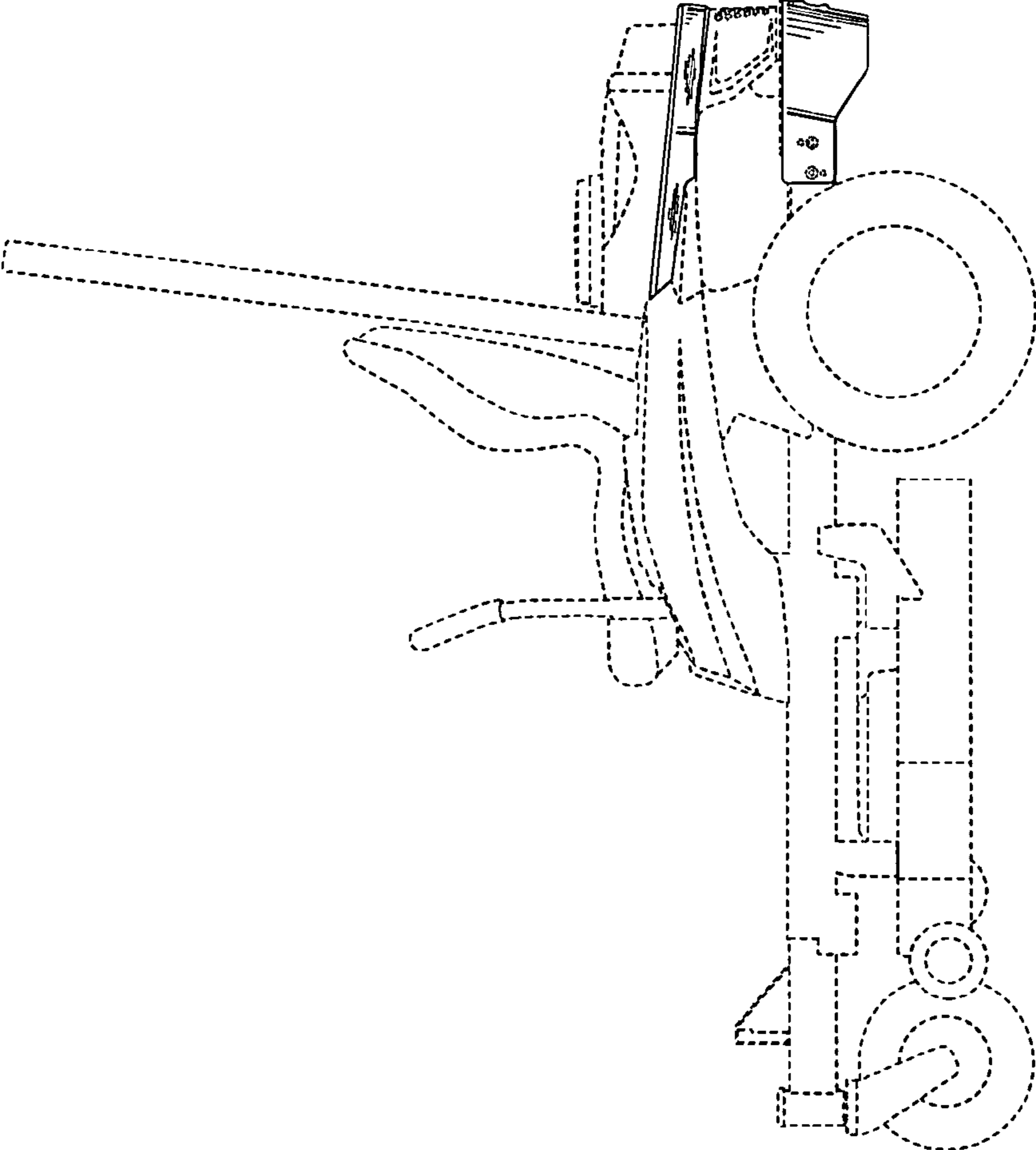


FIG. 7

