



US00D715311S

(12) **United States Design Patent**
Briggl

(10) **Patent No.:** **US D715,311 S**

(45) **Date of Patent:** **** Oct. 14, 2014**

(54) **WRITING PEN**

(71) Applicant: **Klio-Eterna Schreibgerate GmbH & Co KG**, Wolfach (DE)

(72) Inventor: **Hariolf Briggl**, Schwabisch Hall (DE)

(73) Assignee: **Klio-Eterna Schreibgerate GmbH & Co. KG**, Wolfach (DE)

(**) Term: **14 Years**

(21) Appl. No.: **29/487,491**

(22) Filed: **Apr. 9, 2014**

(30) **Foreign Application Priority Data**

Oct. 10, 2013 (WO) 767319401

(51) **LOC (10) Cl.** **14-99**

(52) **U.S. Cl.**
USPC **D14/480.3**; D19/175; D19/933

(58) **Field of Classification Search**
CPC B43K 29/08; B43K 29/20; B43K 25/026
USPC D14/411, 480.3; D19/115-186,
D19/190-204, 933; 24/11 F, 11 P, 11 R;
401/52, 99, 192, 195, 196
See application file for complete search history.

(56) **References Cited**

U.S. PATENT DOCUMENTS

D312,096 S * 11/1990 Vitrac D19/51
D319,844 S * 9/1991 Grotzsch et al. D19/48
D326,683 S * 6/1992 Katami D19/48
D382,016 S * 8/1997 Takahashi D19/51
D456,845 S * 5/2002 Rommel D19/49
D475,406 S * 6/2003 Cetera D19/48
D475,741 S * 6/2003 Cetera D19/51
D485,574 S * 1/2004 Keil D19/50
6,682,202 B2 * 1/2004 Wong 362/118
D494,218 S * 8/2004 Anand D19/51

6,773,192 B1 * 8/2004 Chao 401/195
D498,496 S * 11/2004 Volk D19/54
D502,216 S * 2/2005 Chen D19/36
6,932,276 B1 * 8/2005 Liu 235/486
D516,625 S * 3/2006 Bertheaux D19/51

(Continued)

Primary Examiner — Elizabeth Albert

(74) *Attorney, Agent, or Firm* — Volpe and Koenig, P.C.

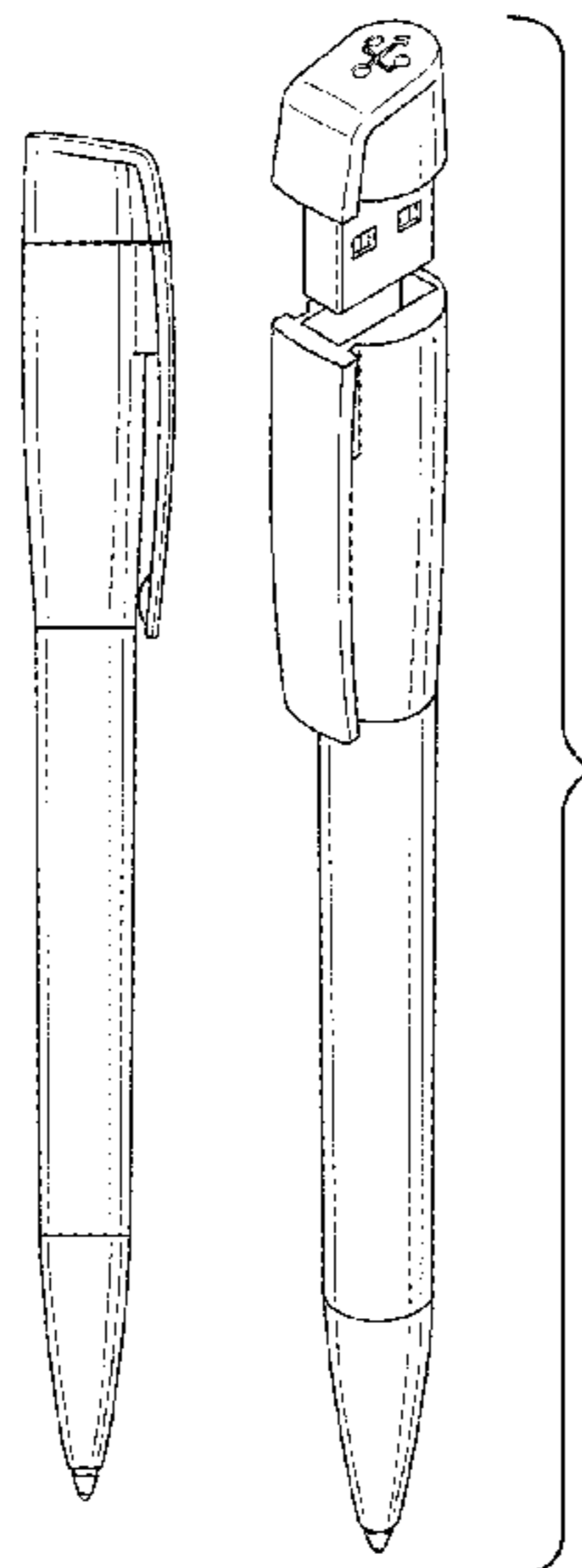
(57) **CLAIM**

The ornamental design for a writing pen, as shown and described.

DESCRIPTION

FIG. 1 is a right side elevational view of a writing pen in accordance with my design;
FIG. 2 is a front elevational view thereof;
FIG. 3 is a left side elevational view thereof;
FIG. 4 is a bottom view thereof;
FIG. 5 is a top view thereof;
FIG. 6 is a right, rear perspective view thereof;
FIG. 7 is a top, front, right perspective view thereof; and
FIG. 8 is a front, left perspective view thereof;
FIG. 9 is a right side elevational view thereof shown with the top portion in a second, disconnected position;
FIG. 10 is a front elevational view thereof with the top portion shown in the second, disconnected position;
FIG. 11 is a left side elevational view thereof with the top portion shown in the second, disconnected position;
FIG. 12 is a bottom view thereof;
FIG. 13 is a top view thereof;
FIG. 14 is a right, rear perspective view thereof with the top portion shown in the second, disconnected position;
FIG. 15 is a top, front, right side perspective view thereof with the top portion shown in the disconnected position; and
FIG. 16 is a front, left perspective view thereof with the top portion shown in the disconnected position.

1 Claim, 6 Drawing Sheets



(56)

References Cited

U.S. PATENT DOCUMENTS

D540,387 S *	4/2007	Losel	D19/51	D642,620 S *	8/2011	Allemeier	D19/50
D551,711 S *	9/2007	Pellissa Beneyto	D19/51	D645,083 S *	9/2011	Stukenkemper	D19/48
D562,384 S *	2/2008	Qiu	D19/36	D646,325 S *	10/2011	Losel	D19/50
7,347,638 B1 *	3/2008	Lin	401/195	D650,012 S *	12/2011	Losel	D19/50
D573,186 S *	7/2008	Rommel	D19/51	D663,772 S *	7/2012	Losel	D19/50
D609,746 S *	2/2010	Ma	D19/50	D669,903 S *	10/2012	Schlossstein	D14/480.3
D616,499 S *	5/2010	Liu	D19/50	D679,322 S *	4/2013	Martin	D19/48
D620,047 S *	7/2010	Rommel	D19/49	D688,305 S *	8/2013	Mao	D19/51
D629,846 S *	12/2010	Losel	D19/50	D694,328 S *	11/2013	Mao	D19/170
D631,508 S *	1/2011	Briggl	D19/50	D700,238 S *	2/2014	Slemp	D19/933
				2007/0231053 A1 *	10/2007	Chan	401/195
				2013/0142562 A1 *	6/2013	Briggl	401/107

* cited by examiner

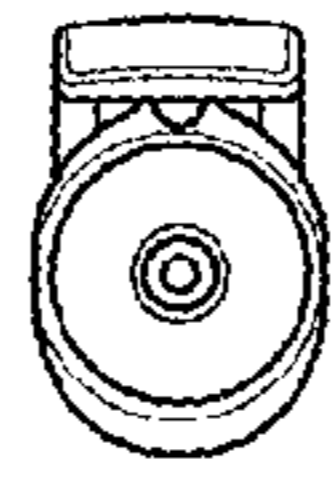


FIG. 4

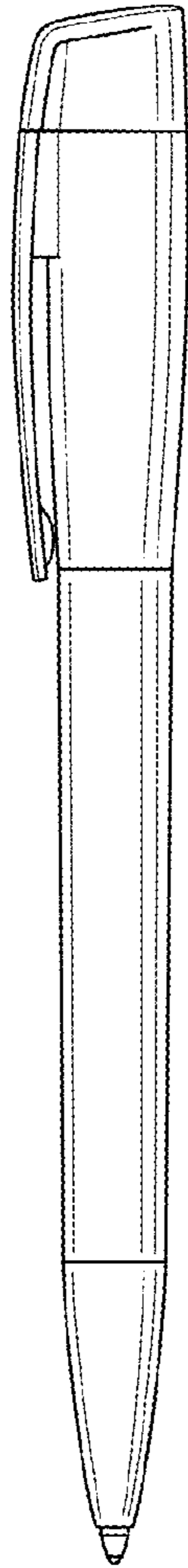


FIG. 1

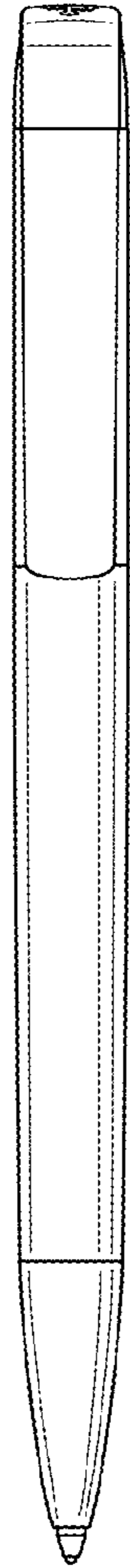


FIG. 2

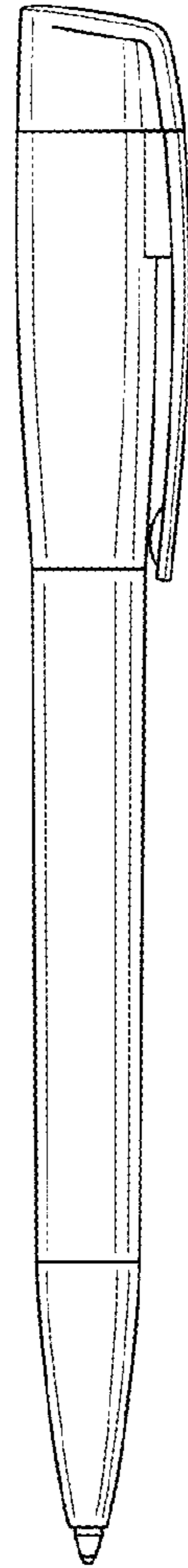


FIG. 3

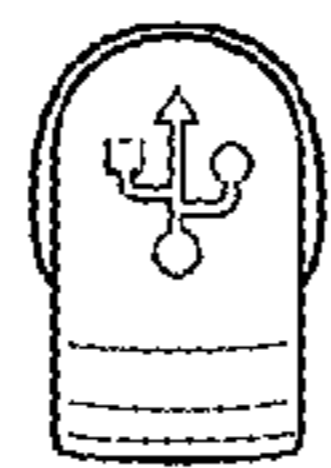


FIG. 5

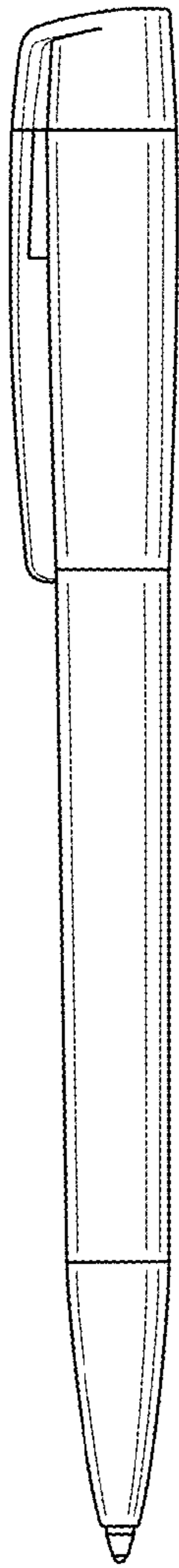


FIG. 6

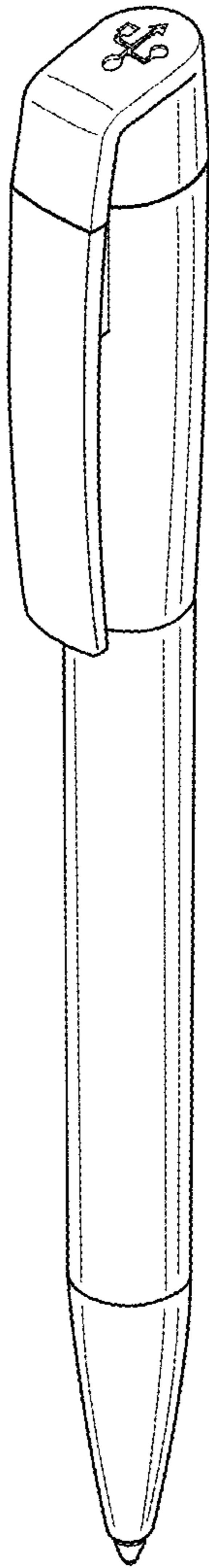


FIG. 7

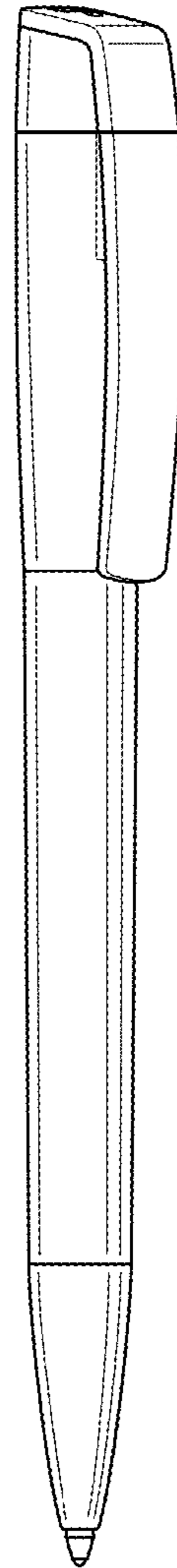


FIG. 8

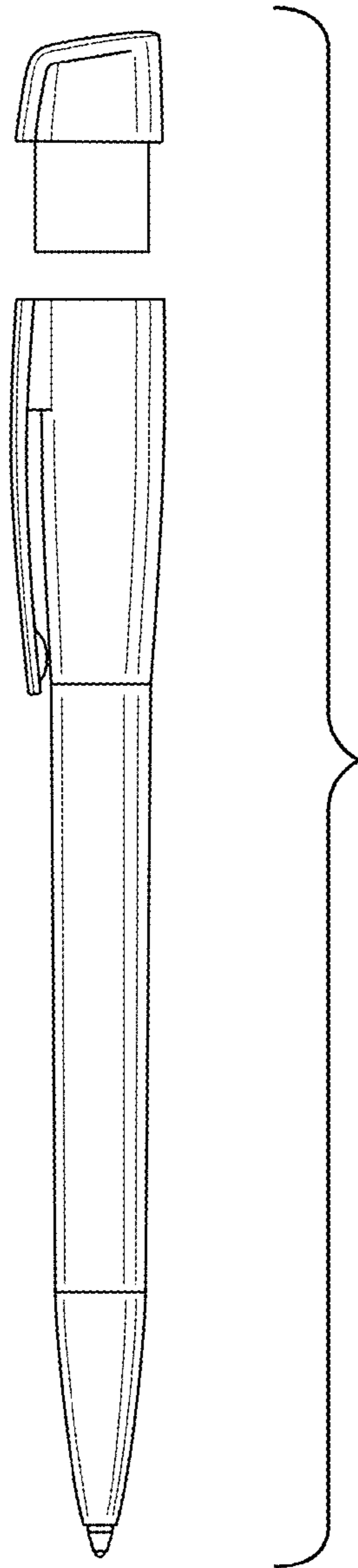


FIG. 9

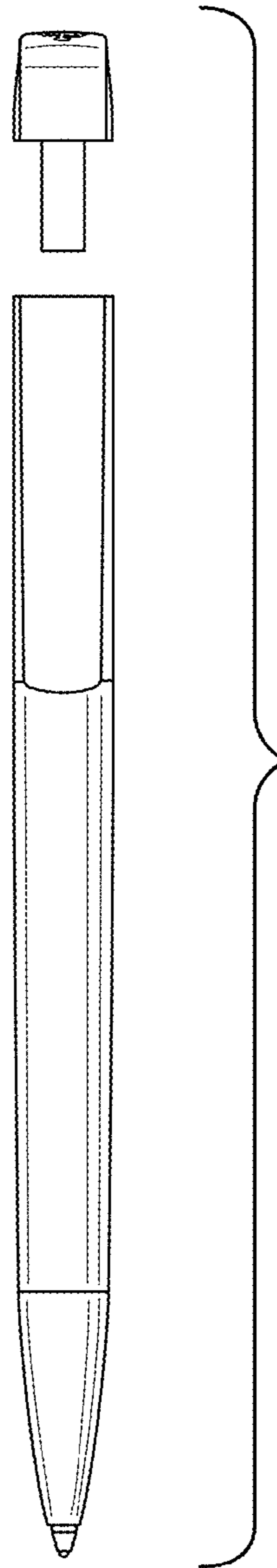


FIG. 10

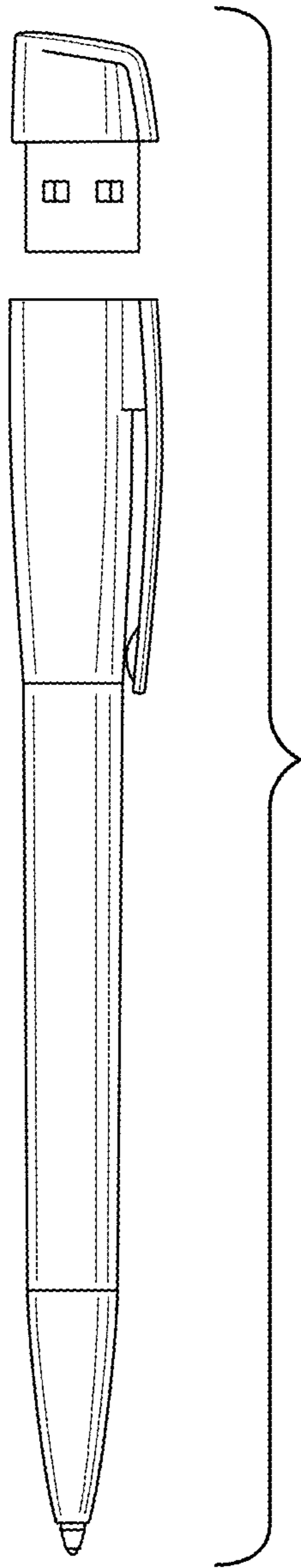


FIG. 11

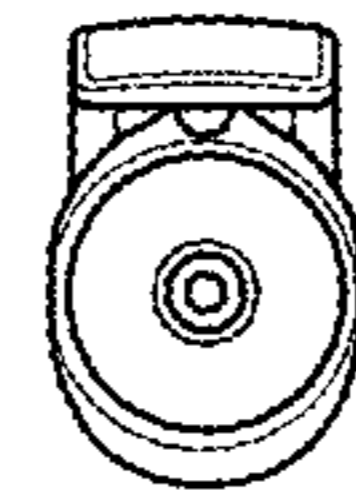


FIG. 12



FIG. 13

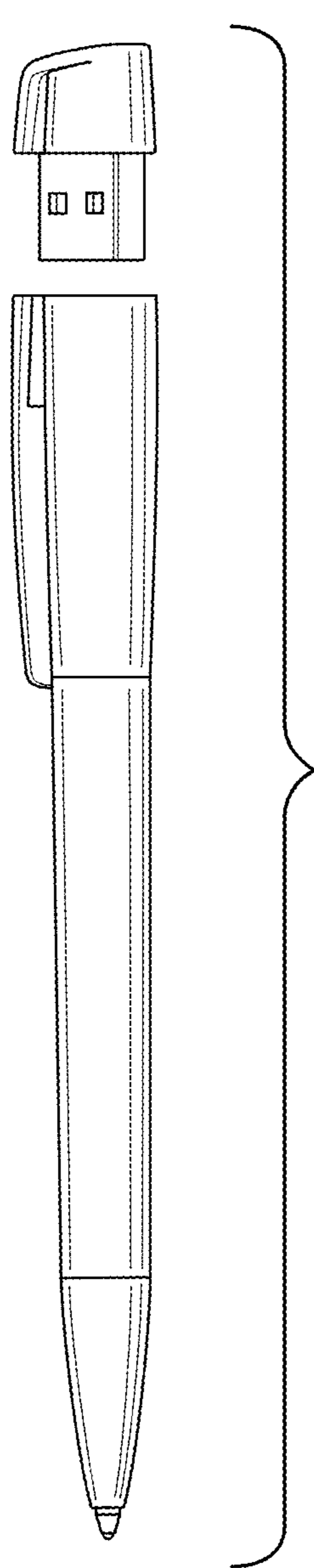


FIG. 14

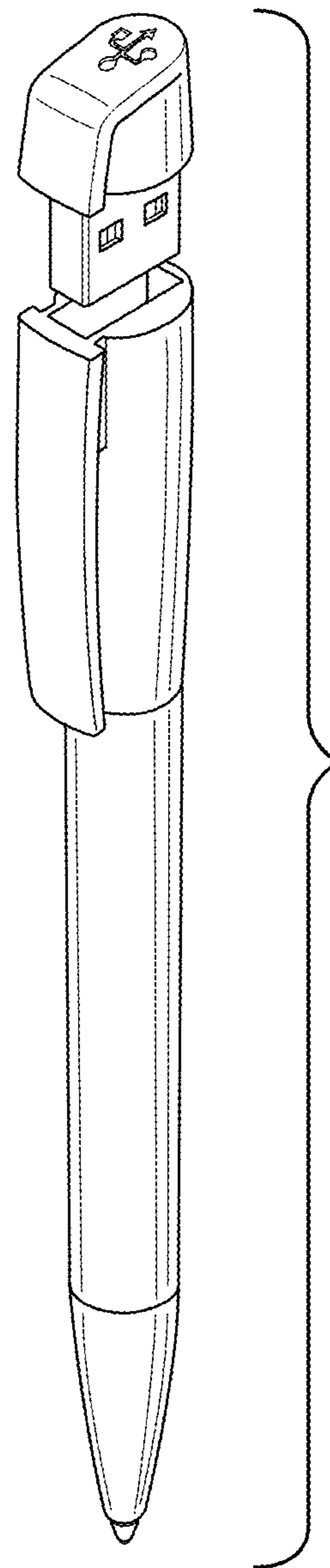


FIG. 15

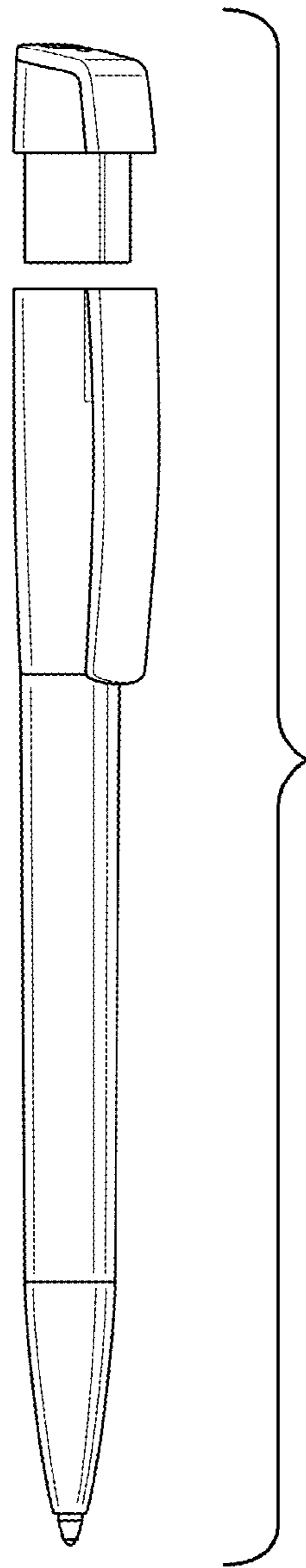


FIG. 16