



US00D715309S

(12) **United States Design Patent**
DeLaughter et al.

(10) **Patent No.:** **US D715,309 S**
(45) **Date of Patent:** **** Oct. 14, 2014**

- (54) **MONITOR ENCLOSURE**
- (71) Applicant: **Kleau Designs, LLC**, Dallas, TX (US)
- (72) Inventors: **Adam DeLaughter**, Dallas, TX (US);
Ryan King, Dallas, TX (US)
- (73) Assignee: **Kleau Designs, LLC**, Dallas, TX (US)
- (**) Term: **14 Years**
- (21) Appl. No.: **29/441,600**
- (22) Filed: **Jan. 8, 2013**
- (51) **LOC (10) Cl.** **14-02**
- (52) **U.S. Cl.**
USPC **D14/448**
- (58) **Field of Classification Search**
USPC D14/388-390, 341, 383, 374, 381, 371,
D14/129, 448, 451, 456, 126; D19/52;
D10/65; 178/18.01, 18.03-18.09,
178/18.11; 345/173-178
See application file for complete search history.

D609,782 S *	2/2010	Whatley	D23/249
D622,240 S *	8/2010	Liu et al.	D14/126
D624,598 S *	9/2010	Chida et al.	D20/43
D626,549 S *	11/2010	Chiu	D14/341
D637,984 S *	5/2011	Willard	D14/129
D642,562 S *	8/2011	Kato	D14/341
D643,433 S *	8/2011	Hsieh et al.	D14/440
D645,036 S *	9/2011	Jones et al.	D14/341
D645,432 S *	9/2011	McManigal et al.	D14/126
D645,831 S *	9/2011	McManigal	D14/126
D647,903 S *	11/2011	McClelland et al.	D14/371
D648,297 S *	11/2011	Woo et al.	D14/126
D669,075 S *	10/2012	Seo	D14/371
D672,767 S *	12/2012	Yoneya et al.	D14/341
D702,227 S *	4/2014	Washiyama et al.	D14/341

* cited by examiner

Primary Examiner — Deanna L Pratt
Assistant Examiner — Katie Mroczka
(74) *Attorney, Agent, or Firm* — Bill R. Naifeh

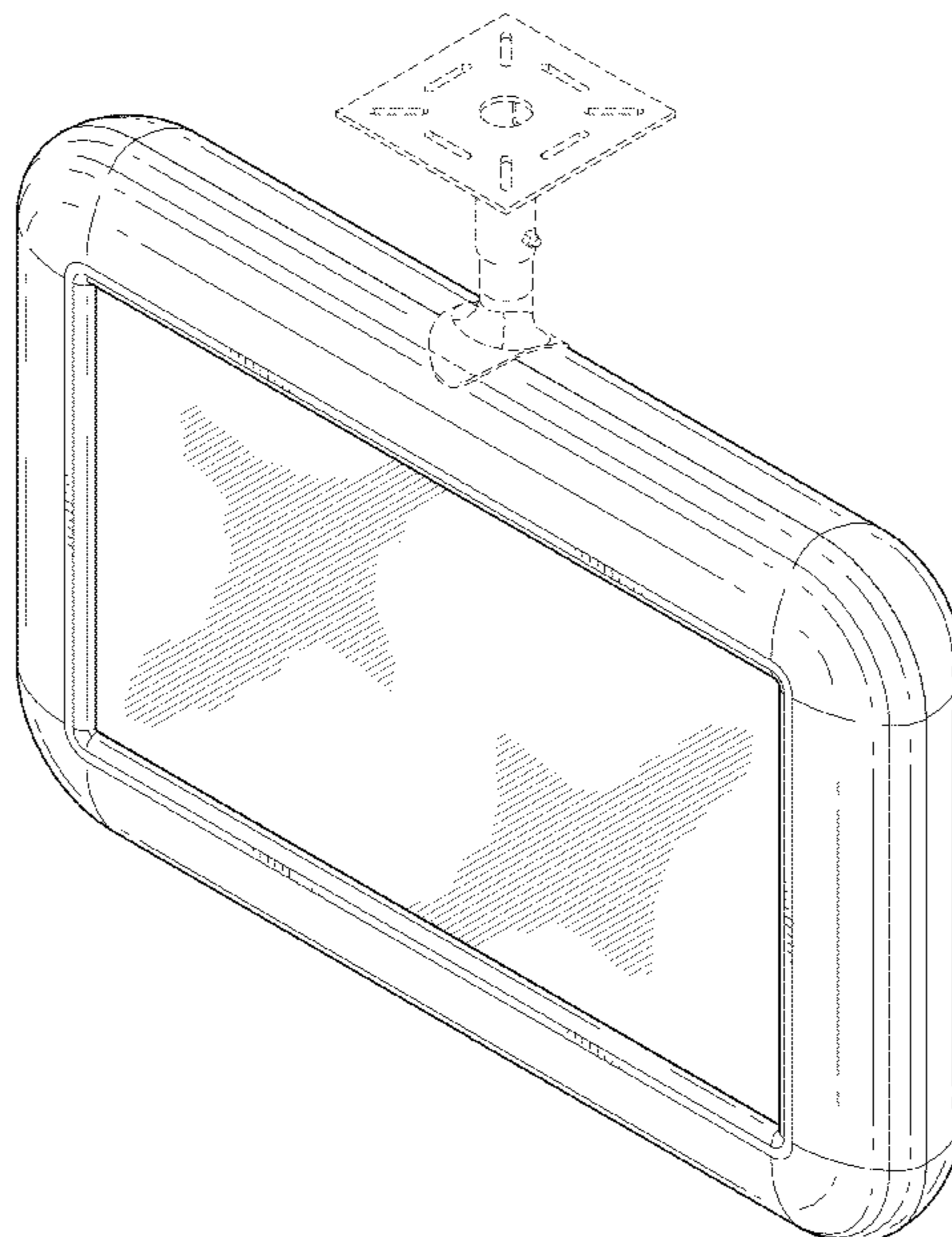
(57) **CLAIM**
We claim the ornamental design for a monitor enclosure, as shown and described.

DESCRIPTION

FIG. 1 is a front perspective view of a monitor enclosure;
FIG. 2 is a front view thereof;
FIG. 3 is a back view thereof;
FIG. 4 is a left side view thereof;
FIG. 5 is a right side view thereof;
FIG. 6 is a top view thereof;
FIG. 7 is a bottom view thereof; and,
FIG. 8 is a back perspective view thereof.
The dashed lines in FIGS. 1 through 8 represent surface shading on the enclosure material and are not part of the claimed design.

1 Claim, 6 Drawing Sheets

- (56) **References Cited**
U.S. PATENT DOCUMENTS
- D266,762 S * 11/1982 Gibson D14/141.3
- D284,084 S * 6/1986 Ferrara, Jr. D14/389
- D304,032 S * 10/1989 Fine et al. D14/374
- D313,409 S * 1/1991 Chowdhree et al. D14/389
- D321,172 S * 10/1991 Moore et al. D14/389
- D353,803 S * 12/1994 Kuzumoto et al. D14/341
- D492,303 S * 6/2004 Schlieffers et al. D14/341
- D501,473 S * 2/2005 Nakata



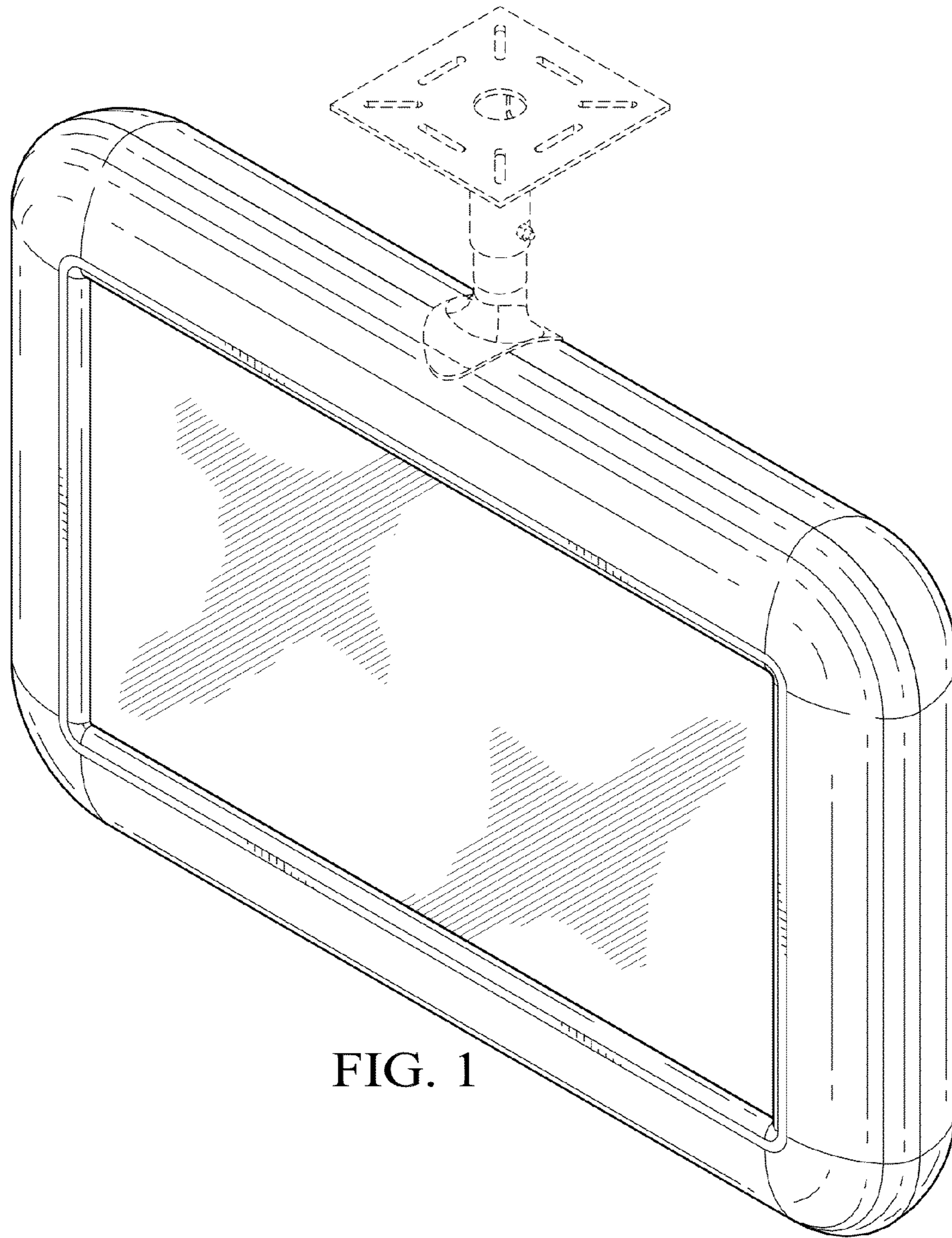


FIG. 1

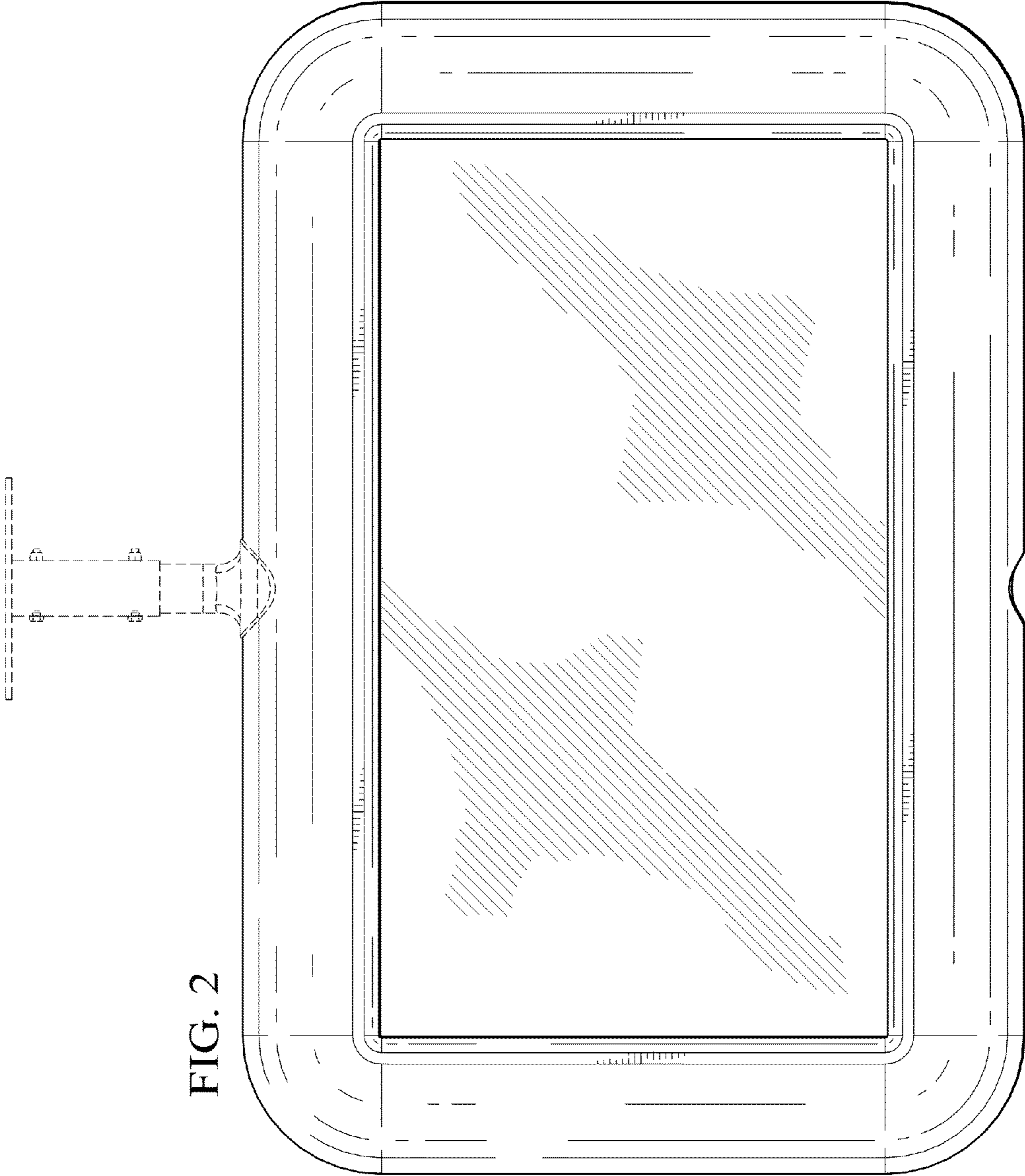


FIG. 2

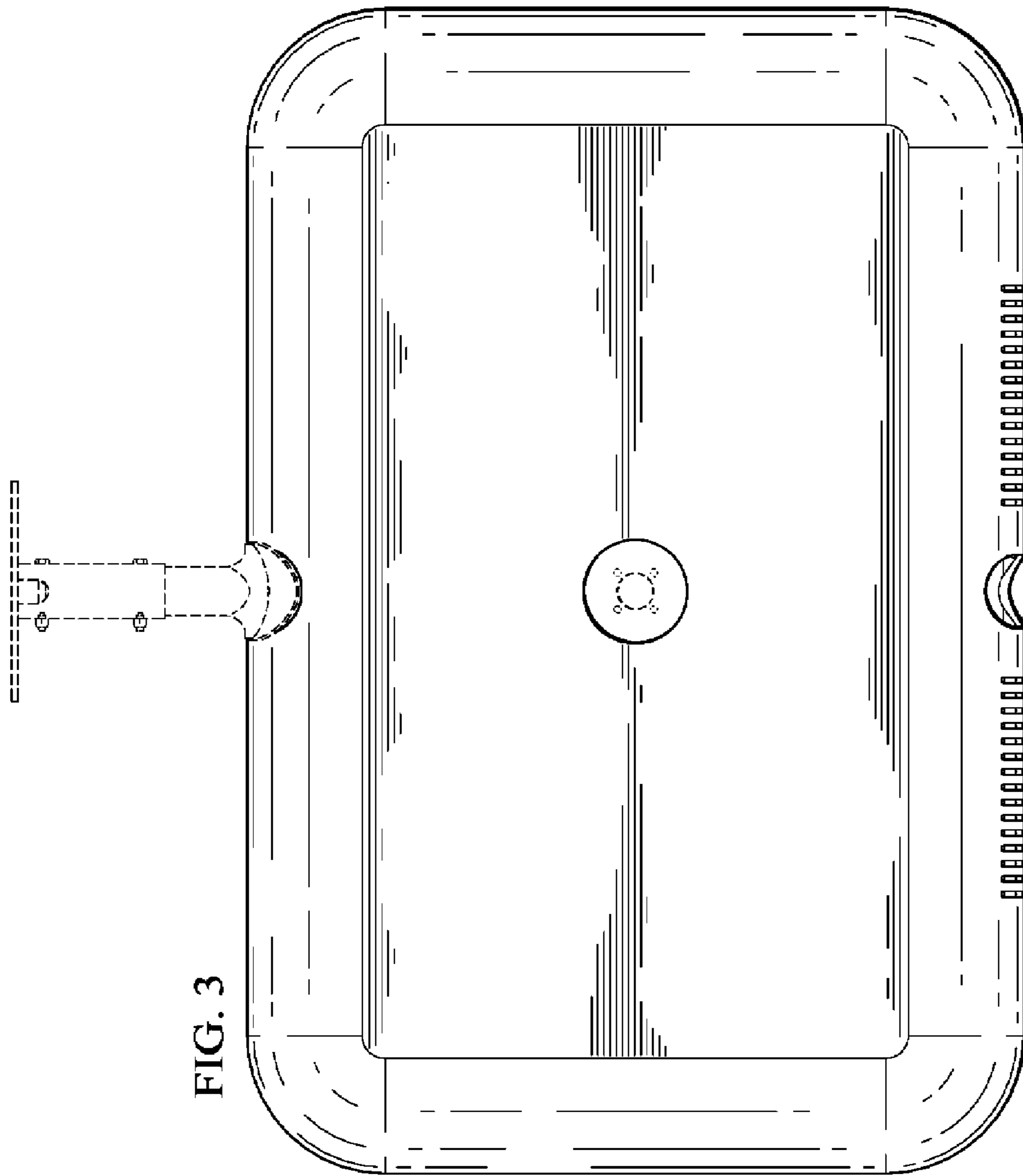


FIG. 3

FIG. 5

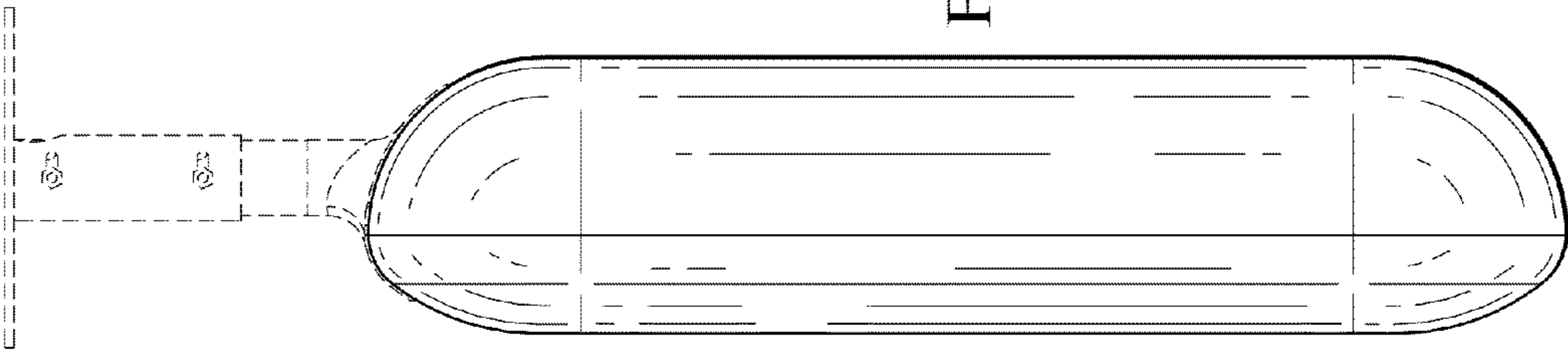
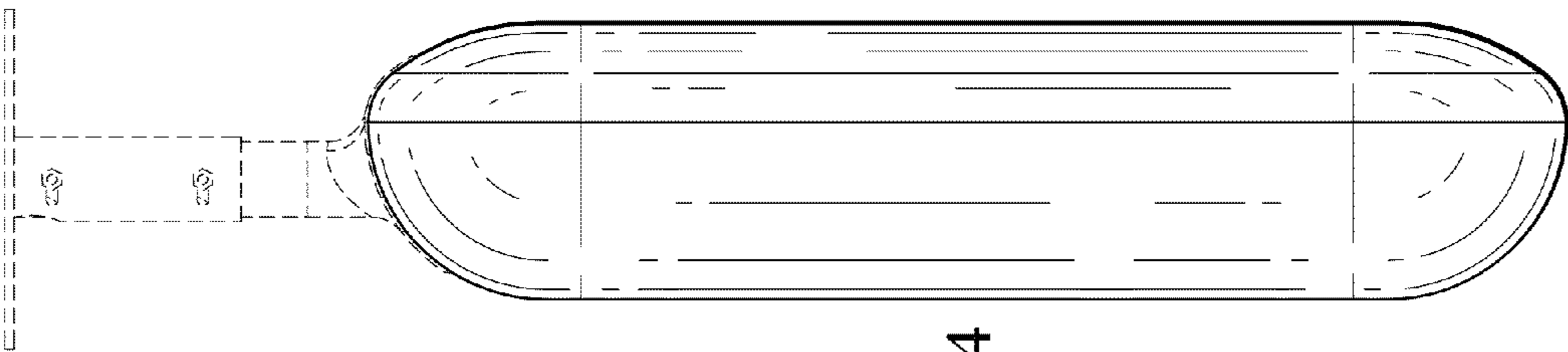


FIG. 4



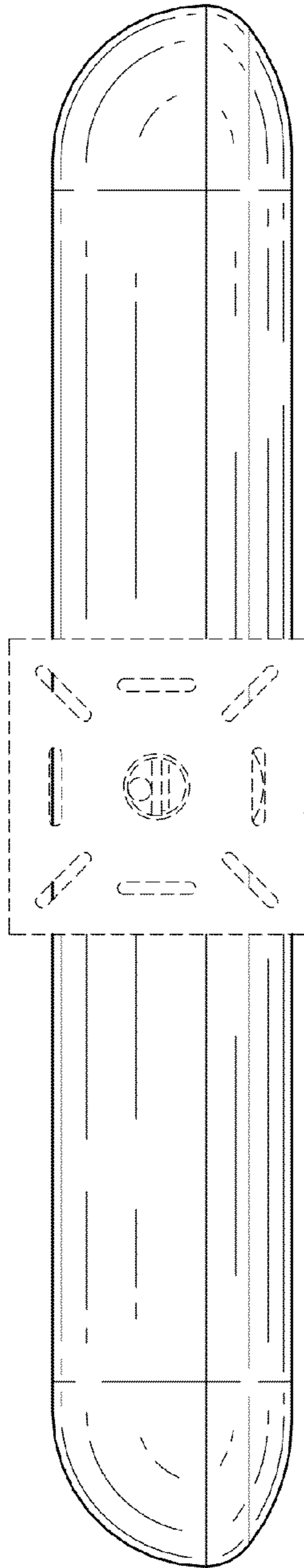


FIG. 6

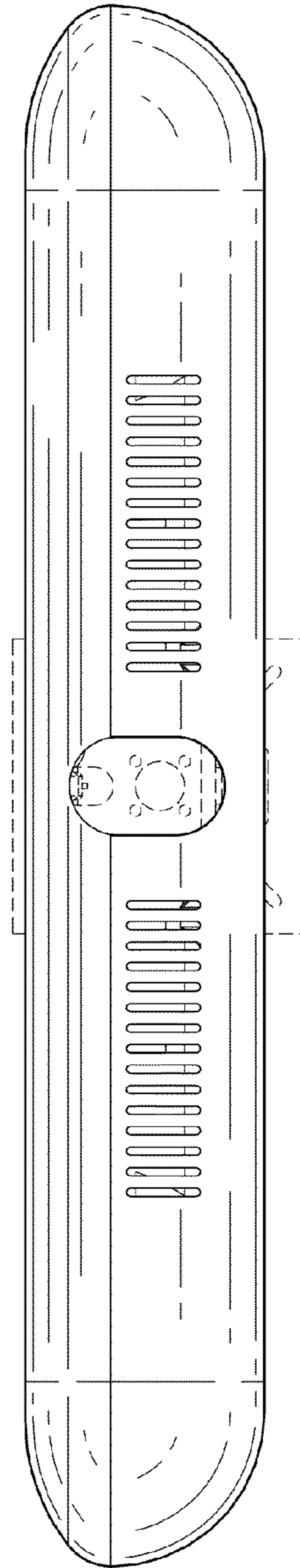


FIG. 7

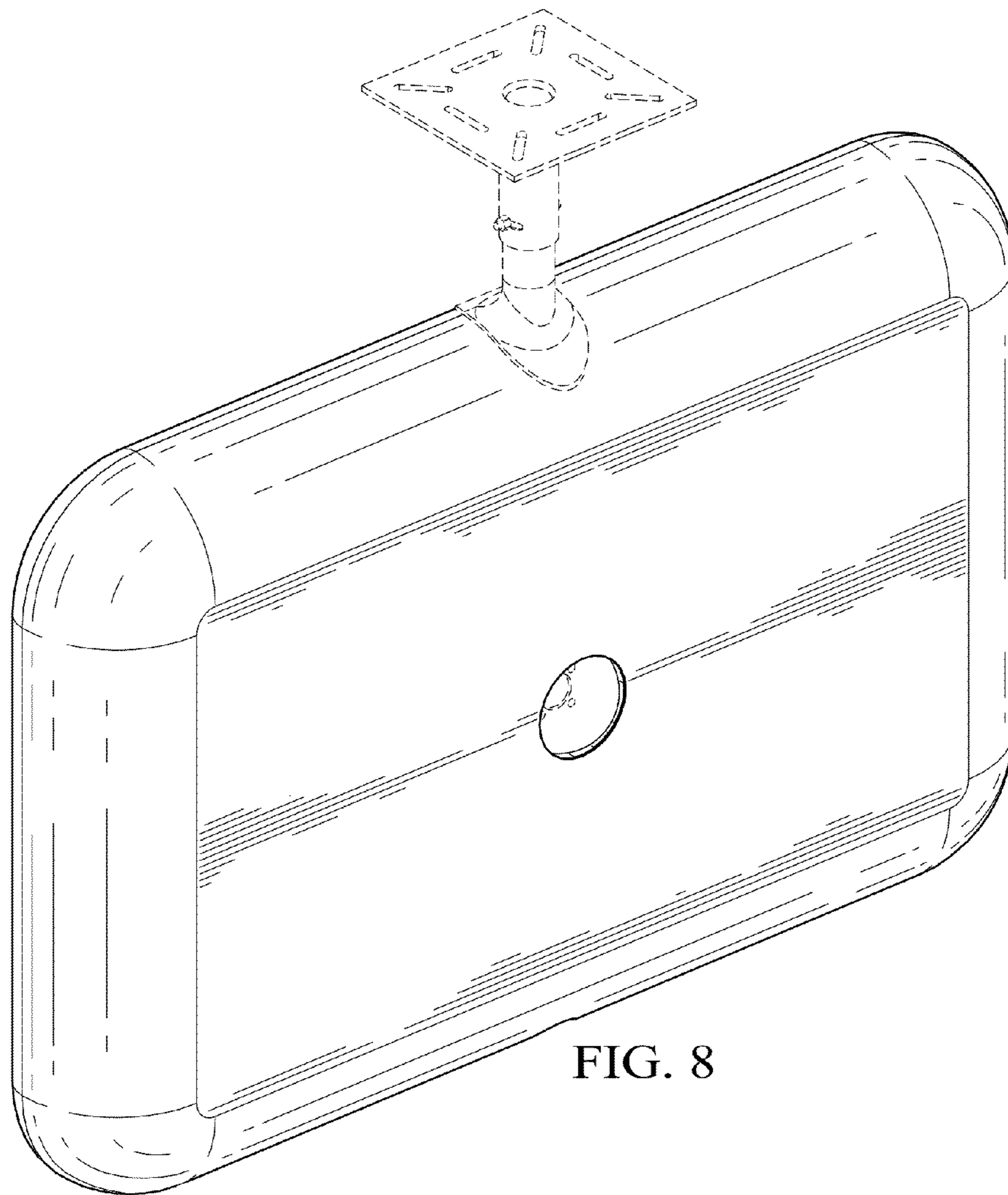


FIG. 8