



US00D715301S

(12) **United States Design Patent**
Ashcraft et al.

(10) **Patent No.:** **US D715,301 S**

(45) **Date of Patent:** **** Oct. 14, 2014**

(54) **DISPLAY COVER ASSEMBLY**

(75) Inventors: **Britt C Ashcraft**, Tomball, TX (US);
Eric Chen, Houston, TX (US);
Memphis-Zhihong Yin, Tomball, TX
(US)

(73) Assignee: **Hewlett-Packard Development
Company, L.P.**, Houston, TX (US)

(**) Term: **14 Years**

(21) Appl. No.: **29/401,277**

(22) Filed: **Sep. 9, 2011**

(51) **LOC (10) Cl.** **14-02**

(52) **U.S. Cl.**
USPC **D14/439**

(58) **Field of Classification Search**
USPC D14/341-347, 424, 425, 432-453, 464,
D14/468, 469, 471, 496, 511, 138 AA,
D14/138 AD, 138 C, 138 G, 203.1-203.8,
D14/217, 238.1, 248, 250, 257, 299;
361/679.02, 679.31, 679.5, 690, 694,
361/679.23, 801, 802; 312/332.1, 334.1;
455/556.2, 575.1, 575.3-575.5, 575.8,
455/90.3

See application file for complete search history.

(56) **References Cited**

U.S. PATENT DOCUMENTS

D665,809 S * 8/2012 Wang et al. D14/439
D669,469 S * 10/2012 Kang D14/341

D669,470 S * 10/2012 Zha et al. D14/341
D670,692 S * 11/2012 Akana et al. D14/341
D671,947 S * 12/2012 Akana et al. D14/439
D675,210 S * 1/2013 Kim D14/440
D677,665 S * 3/2013 Akana et al. D14/439
D689,499 S * 9/2013 Chen et al. D14/440
2011/0164365 A1 * 7/2011 McClure et al. 361/679.3

OTHER PUBLICATIONS

“HP Unveils Business Notebooks Designed with Precision Engineering,” Hewlett-Packard Press Release, Feb. 22, 2011, pp. 1-5.

* cited by examiner

Primary Examiner — Austin Murphy

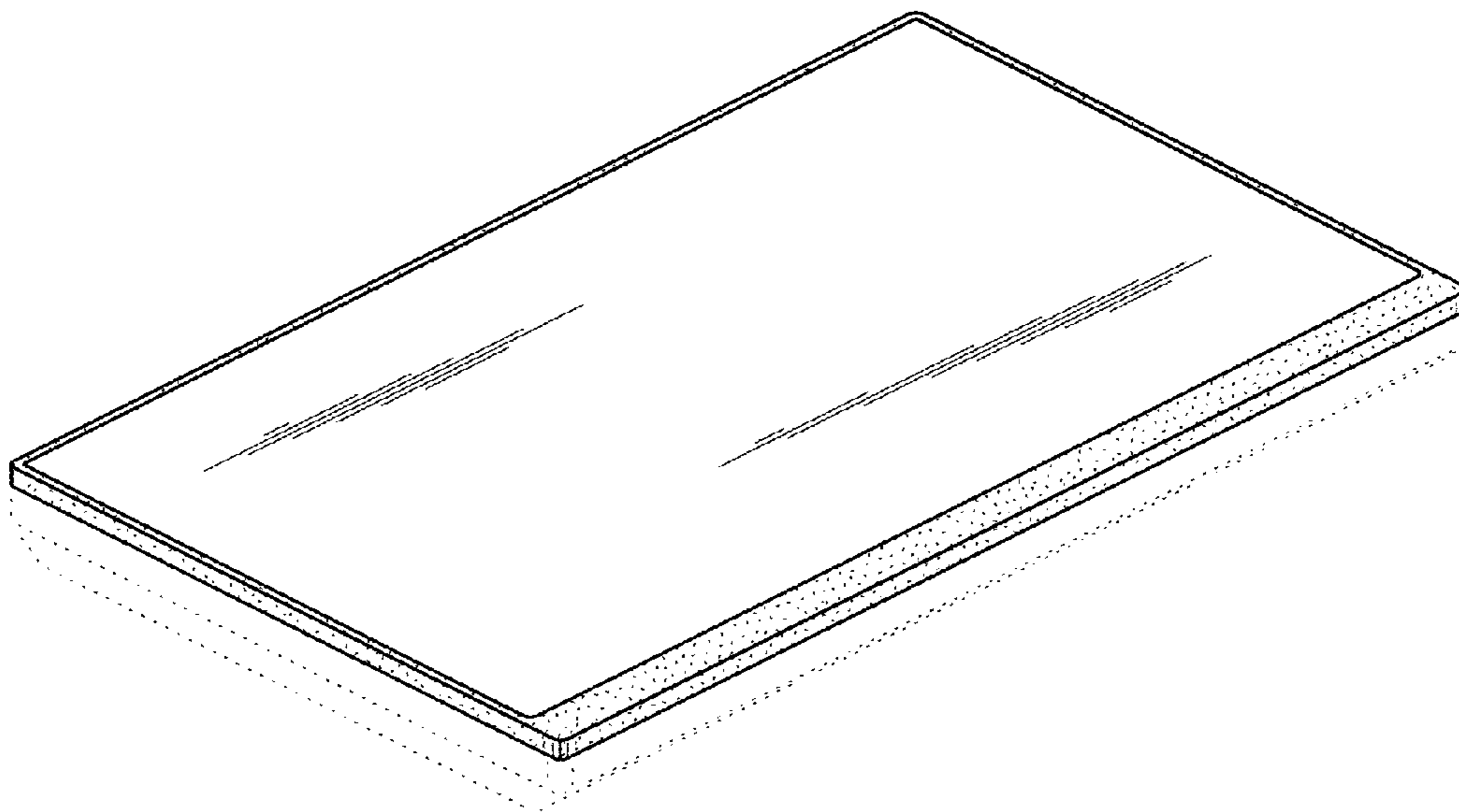
(57) **CLAIM**

The ornamental design for a display cover assembly, as shown and described.

DESCRIPTION

FIG. 1 is a perspective view of a display cover assembly; FIG. 2 is a top plan view thereof; FIG. 3 is a side elevational view showing the right side thereof; FIG. 4 is a front elevational view thereof; and, FIG. 5 is a back elevational view thereof. The broken lines in the drawings are directed to environment and are for illustrative purposes only; the broken lines form no part of the claimed design. The left side of the display cover assembly, not shown, is a mirror image of the right side of the display cover assembly. The bottom of the display cover assembly, not shown, forms no part of the claimed design.

1 Claim, 2 Drawing Sheets



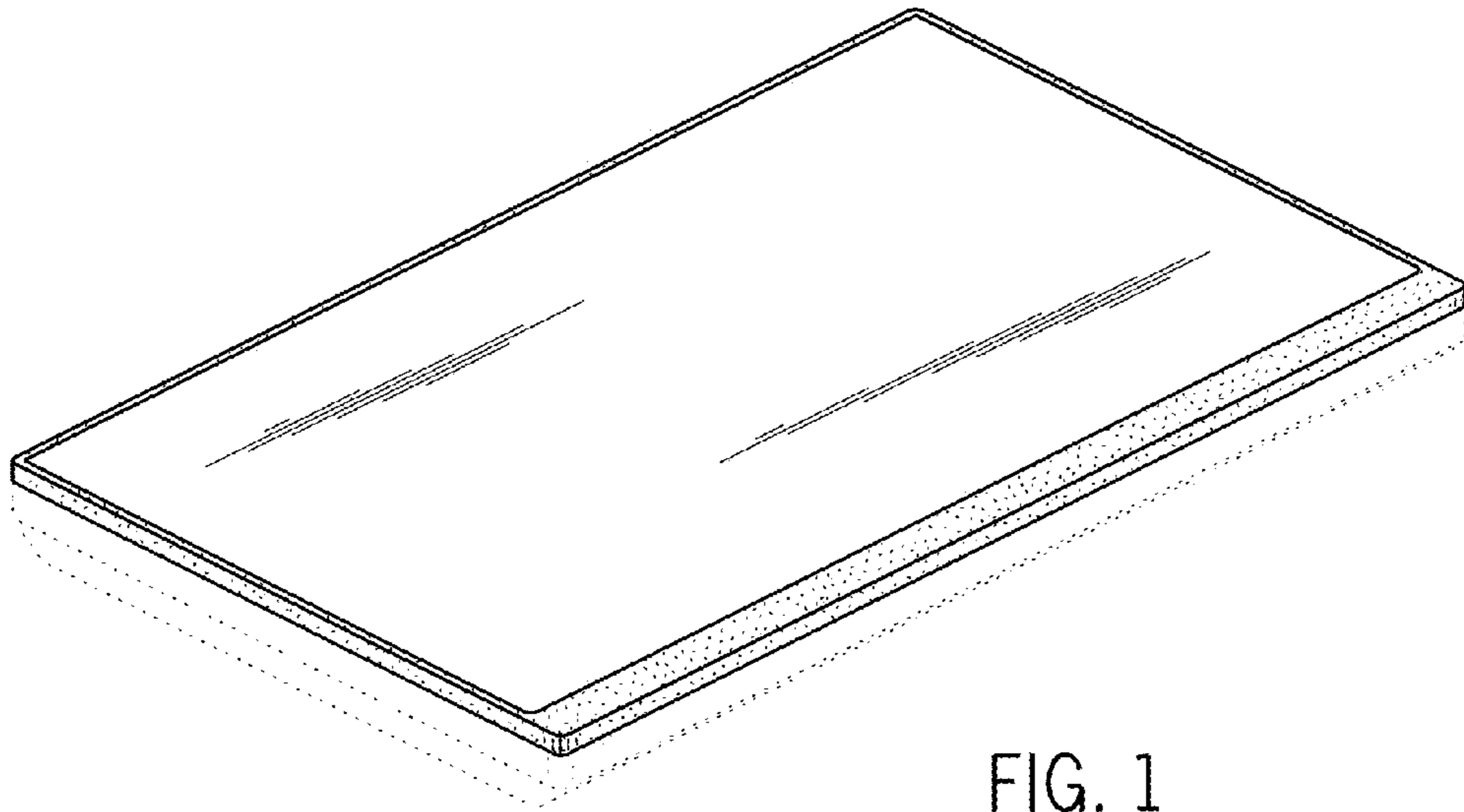


FIG. 1

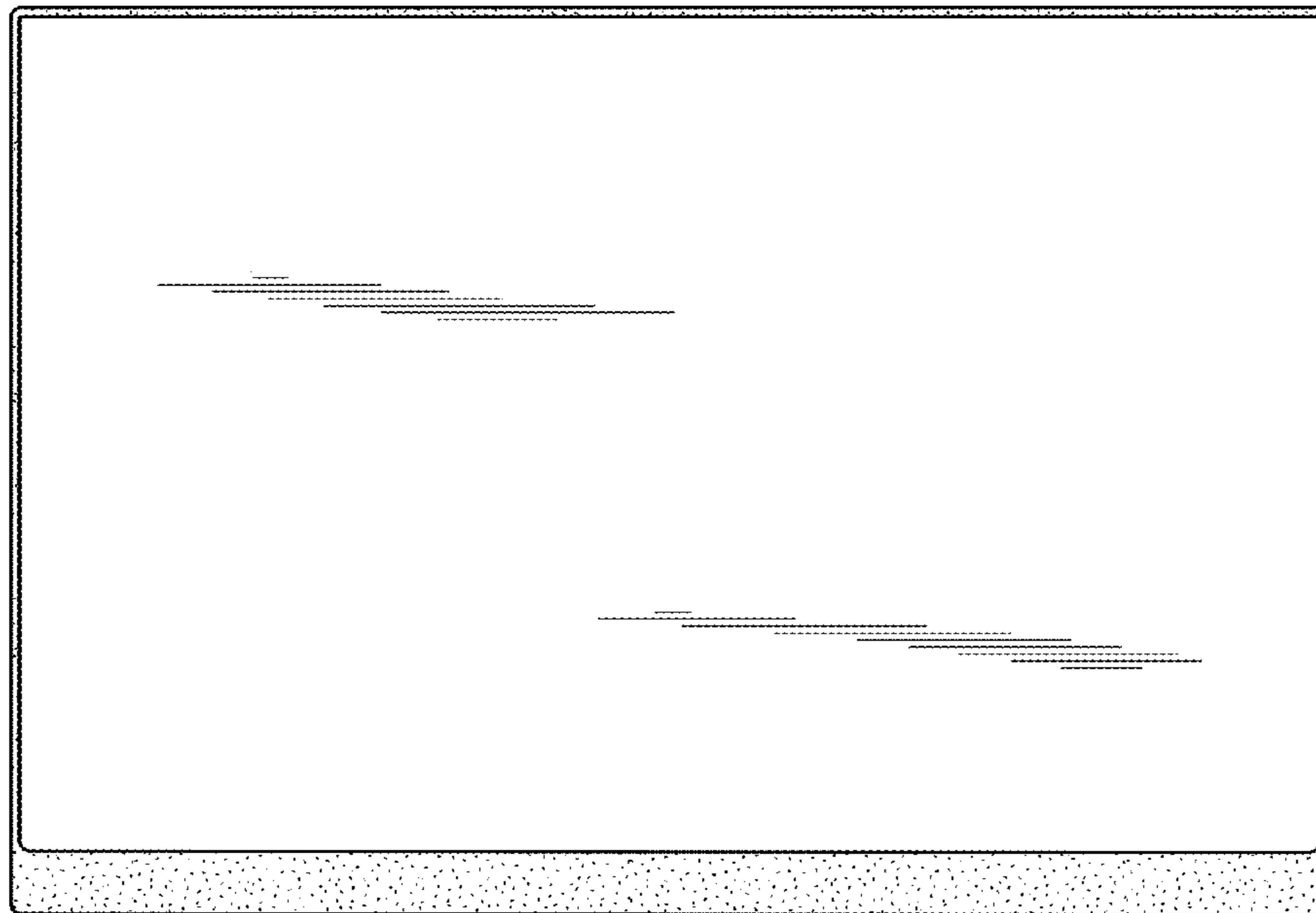


FIG. 2

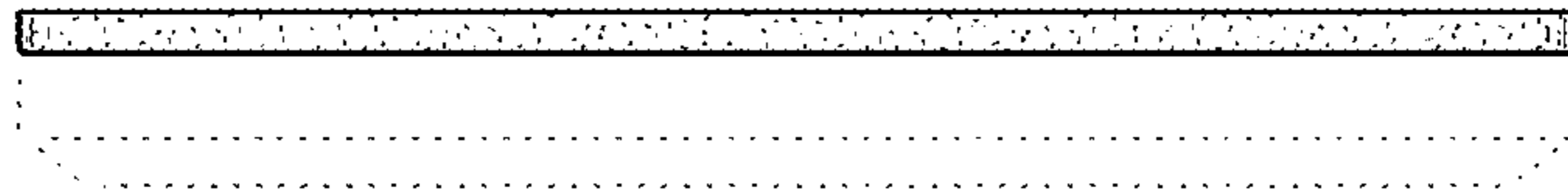


FIG. 3

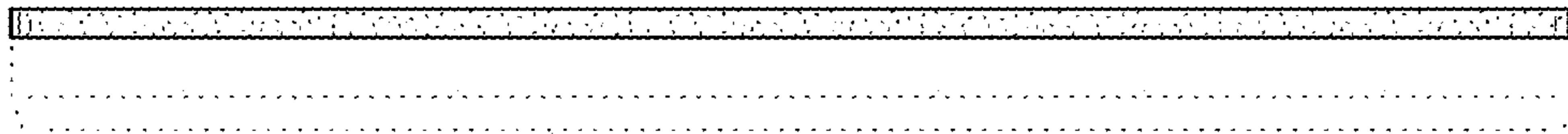


FIG. 4

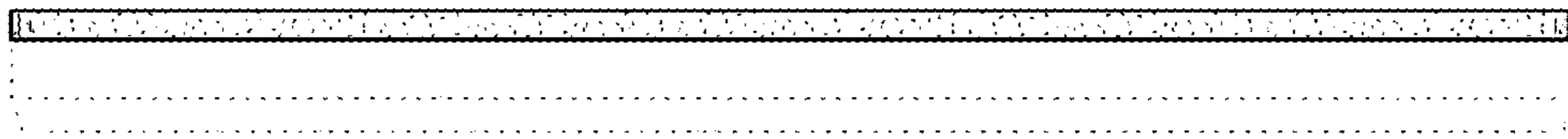


FIG. 5