



US00D715300S

(12) **United States Design Patent**
Shen

(10) **Patent No.:** **US D715,300 S**

(45) **Date of Patent:** **** Oct. 14, 2014**

(54) **IMAGING DEVICE**

(75) Inventor: **Ji Shen**, San Diego, CA (US)

(73) Assignee: **Pathway Innovations and Technologies, Inc.**, San Diego, CA (US)

(**) Term: **14 Years**

(21) Appl. No.: **29/371,908**

(22) Filed: **Jan. 12, 2012**

(51) **LOC (10) Cl.** **14-02**

(52) **U.S. Cl.**
USPC **D14/423**

(58) **Field of Classification Search**
USPC D14/420–425; D16/232, 229, 235, 221;
D18/36; 353/115, 119, 122, DIG. 3,
353/DIG. 4; 396/155, 133, 86;
358/474–498; 348/370, 373, 376, 374,
348/375; 248/187.1, 593, 276.1, 281.11;
D26/63, 65, 64, 62, 135
See application file for complete search history.

(56) **References Cited**

U.S. PATENT DOCUMENTS

D151,855 S *	11/1948	Nitardy	D26/65
D215,480 S *	10/1969	Froelich	D26/65
4,234,150 A *	11/1980	Mee et al.	248/281.11
D275,431 S *	9/1984	Usah	D14/452
D278,461 S *	4/1985	Pepall	D24/210
4,595,970 A *	6/1986	Diffrient	362/287
D290,884 S *	7/1987	Sano et al.	D26/65
4,695,024 A *	9/1987	Haven	248/281.11
D292,264 S *	10/1987	Staufenberg et al.	D8/380
D293,135 S *	12/1987	Medema et al.	D26/61
D297,372 S *	8/1988	Poon	D26/44
D302,501 S *	8/1989	Kuba et al.	D6/491
D303,848 S *	10/1989	Bianchi	D26/65
D305,904 S *	2/1990	Matsumoto	D16/232
4,977,489 A *	12/1990	Fung	362/184

D315,804 S *	3/1991	Von Klier	D26/65
D316,455 S *	4/1991	Krol	D26/44
5,037,053 A *	8/1991	Fox et al.	248/280.11
D323,717 S *	2/1992	Fung	D26/44
D326,092 S *	5/1992	Kikuchi et al.	D14/138 G
D327,134 S *	6/1992	Ching	D26/65
D327,334 S *	6/1992	Parker	D26/65
D329,098 S *	9/1992	Lu	D26/62
D337,843 S *	7/1993	Huang	D26/65
D345,810 S *	4/1994	Yuen	D26/44
D350,620 S *	9/1994	Yuen	D26/65
D351,678 S *	10/1994	Chen	D26/65
D366,337 S *	1/1996	Yuen	D26/44
D374,100 S *	9/1996	Chen	D26/60
D376,586 S *	12/1996	Shinano	D14/423
D382,362 S *	8/1997	Huang	D26/65
D386,273 S *	11/1997	Yan	D26/63
D388,404 S *	12/1997	Kinnunen et al.	D14/423
D391,243 S *	2/1998	Rosen	D14/452
D394,668 S *	5/1998	Iino	D16/202
D399,192 S *	10/1998	Hasegawa	D14/423
D401,954 S *	12/1998	Oh et al.	D16/232
D402,385 S *	12/1998	Chen	D26/65
D405,205 S *	2/1999	Huang	D26/63

(Continued)

Primary Examiner — Susan Moon Lee

(74) *Attorney, Agent, or Firm* — RatnerPrestia

(57) **CLAIM**

I claim the ornamental design for an imaging device, as shown and described.

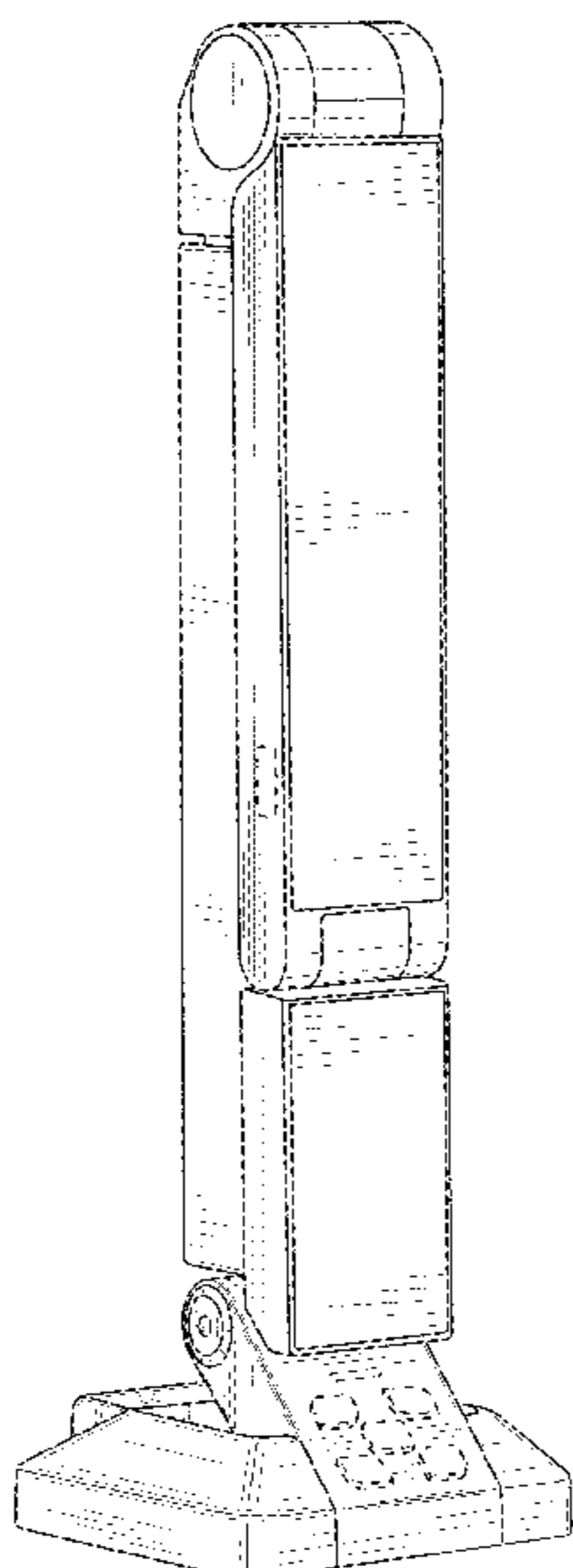
DESCRIPTION

FIG. 1 is a perspective view of an imaging device;
FIG. 2 is a front elevation view thereof;
FIG. 3 is a right side elevation view thereof; and,
FIG. 4 is a left side elevation view thereof.

The appearance of any undisclosed portions of the present invention is not claimed.

Broken lines and unshaded portions contained within broken lines are not claimed.

1 Claim, 4 Drawing Sheets



(56)

References Cited

U.S. PATENT DOCUMENTS

- 5,871,274 A * 2/1999 Lee et al. 362/413
D408,567 S * 4/1999 Coe D26/60
5,978,028 A * 11/1999 Yamane 348/373
D419,710 S * 1/2000 Huang D26/63
6,022,119 A * 2/2000 Booty, Jr. 362/98
D428,179 S * 7/2000 Huang D26/65
D435,677 S * 12/2000 Hollinger D26/60
D435,852 S * 1/2001 Oddsen, Jr. D14/452
6,168,292 B1 * 1/2001 Sherman 362/287
D441,476 S * 5/2001 Mendelsohn et al. D26/63
D455,949 S * 4/2002 Huang D8/373
D459,514 S * 6/2002 Mier-Langner et al. D26/63
6,478,275 B1 * 11/2002 Huang
6,496,244 B2 * 12/2002 Tseng et al. 355/21
D469,201 S * 1/2003 De Bevilacqua D26/65
D470,874 S * 2/2003 Chiu D16/202
D473,207 S * 4/2003 Tanio D14/168
D478,923 S * 8/2003 Han D16/202
6,609,691 B2 * 8/2003 Oddsen, Jr. 248/278.1
D486,829 S * 2/2004 Wang et al. D14/480.5
6,736,531 B2 * 5/2004 Wallach 362/414
D490,926 S * 6/2004 Katsura et al. D26/63
D495,082 S * 8/2004 Marchand D26/65
D498,551 S * 11/2004 Chan D26/37
D507,673 S * 7/2005 Martin D26/60
D509,819 S * 9/2005 Yang D14/203.4
6,947,093 B2 * 9/2005 Yanakawa et al. 348/373
D510,451 S * 10/2005 Marchand D26/65
6,955,442 B1 * 10/2005 Chan 362/99
D511,770 S * 11/2005 Chung D14/480.5
6,984,054 B2 * 1/2006 Lai 362/199
D520,511 S * 5/2006 Piazza et al. D14/452
D522,158 S * 5/2006 Lovegrove D26/61
D523,164 S * 6/2006 Ng D26/65
D523,984 S * 6/2006 Cai D26/61
7,066,753 B1 * 6/2006 Tseng 439/259
D526,331 S * 8/2006 Lee D14/203.7
D526,433 S * 8/2006 Li D26/60
D534,938 S * 1/2007 Beasley et al. D16/208
D542,455 S * 5/2007 Newcomb D26/60
D542,457 S * 5/2007 Fisherman et al. D26/66
D543,304 S * 5/2007 Chan D26/60
D543,553 S * 5/2007 Langberg et al. D14/496
D545,343 S * 6/2007 Braun D16/242
7,245,441 B2 * 7/2007 Wu et al. 359/676
D555,272 S * 11/2007 Iai et al. D26/62
D556,195 S * 11/2007 Lin D14/480.3
D558,787 S * 1/2008 Yu et al. D14/496
D563,014 S * 2/2008 Levine D26/63
D563,583 S * 3/2008 Iai et al. D26/65
D564,559 S * 3/2008 Stephens et al. D16/208
D567,431 S * 4/2008 Garner et al. D26/107
D568,520 S * 5/2008 Castellucci et al. D26/65
D571,032 S * 6/2008 Chen D26/61
7,396,140 B2 * 7/2008 Cai 362/167
D580,578 S * 11/2008 Chien D26/63
D581,077 S * 11/2008 Levine D26/62
D581,570 S * 11/2008 Levine D26/62
D582,418 S * 12/2008 Kim et al. D14/435.1
D590,532 S * 4/2009 Levine D26/60
D590,977 S * 4/2009 Mullen D26/62
D591,751 S * 5/2009 Ku D14/435
D596,776 S * 7/2009 Hodgson D26/63
D601,288 S * 9/2009 Thomson et al. D26/63
7,591,572 B1 * 9/2009 Levine 362/427
D602,063 S * 10/2009 Su D16/232
D602,970 S * 10/2009 Lee D16/232
D603,409 S * 11/2009 Ishida D14/435
D603,995 S * 11/2009 Wei et al. D26/65
D604,261 S * 11/2009 Tsai et al. D14/138 G
D604,883 S * 11/2009 Park D26/65
D606,692 S * 12/2009 Waldmann D26/65
D606,693 S * 12/2009 Waldmann D26/65
D607,482 S * 1/2010 Inoue et al. D16/232
D608,047 S * 1/2010 Scheper et al. D26/138
7,648,261 B2 * 1/2010 Ko et al.
D615,681 S * 5/2010 Thomson et al. D26/63
D616,590 S * 5/2010 Huang et al. D26/63
D617,932 S * 6/2010 Chan D26/63
7,731,386 B2 * 6/2010 Levine 362/197
D620,514 S * 7/2010 Kim et al. D16/208
D627,501 S * 11/2010 Lin et al. D26/65
D627,815 S * 11/2010 Oba D16/202
D628,331 S * 11/2010 Tang et al. D26/63
D636,919 S * 4/2011 Wang et al. D26/63
D637,331 S * 5/2011 Lee
D637,332 S * 5/2011 Lee D26/63
D639,789 S * 6/2011 Kim et al. D14/242
D641,515 S * 7/2011 Chung D26/63
D641,906 S * 7/2011 Lee et al. D26/63
D641,907 S * 7/2011 Lee D26/65
D642,315 S * 7/2011 Yu Chung Han D26/65
D645,179 S * 9/2011 Gulker D26/37
D647,906 S * 11/2011 Shen D14/423
D649,672 S * 11/2011 Wang et al. D26/65
D651,734 S * 1/2012 Li D26/63
D654,199 S * 2/2012 Xie D26/63
D662,121 S * 6/2012 Rodriguez et al. D16/208
D662,641 S * 6/2012 Levine D26/65
D665,938 S * 8/2012 Kim et al. D26/63
D667,042 S * 9/2012 Shen D16/232
D667,154 S * 9/2012 Tang et al. D26/65
D667,980 S * 9/2012 Kim et al. D26/63
D674,389 S * 1/2013 Shen D14/423
D675,196 S * 1/2013 Maddern D14/240
8,353,609 B2 * 1/2013 Chou et al. 362/450
D677,707 S * 3/2013 Shen D16/232
D680,143 S * 4/2013 Henssler et al. D16/200
D699,242 S * 2/2014 Hu D14/423
2002/0106137 A1 * 8/2002 Chen et al. 382/321
2003/0080269 A1 * 5/2003 Oddsen, Jr. 248/274.1
2006/0050519 A1 * 3/2006 Lin 362/413
2006/0072328 A1 * 4/2006 Chan 362/382
2007/0097689 A1 * 5/2007 Barausky et al. 362/287
2009/0040774 A1 * 2/2009 Avila et al. 362/371

* cited by examiner

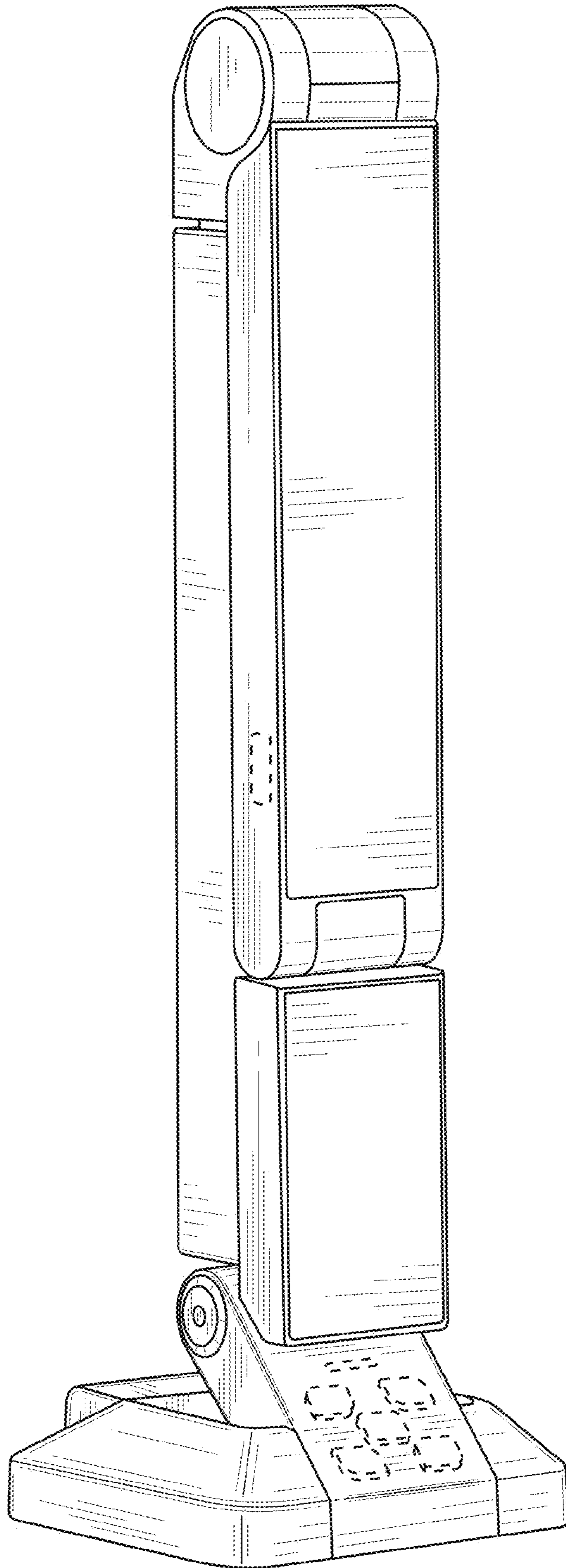


FIG. 1

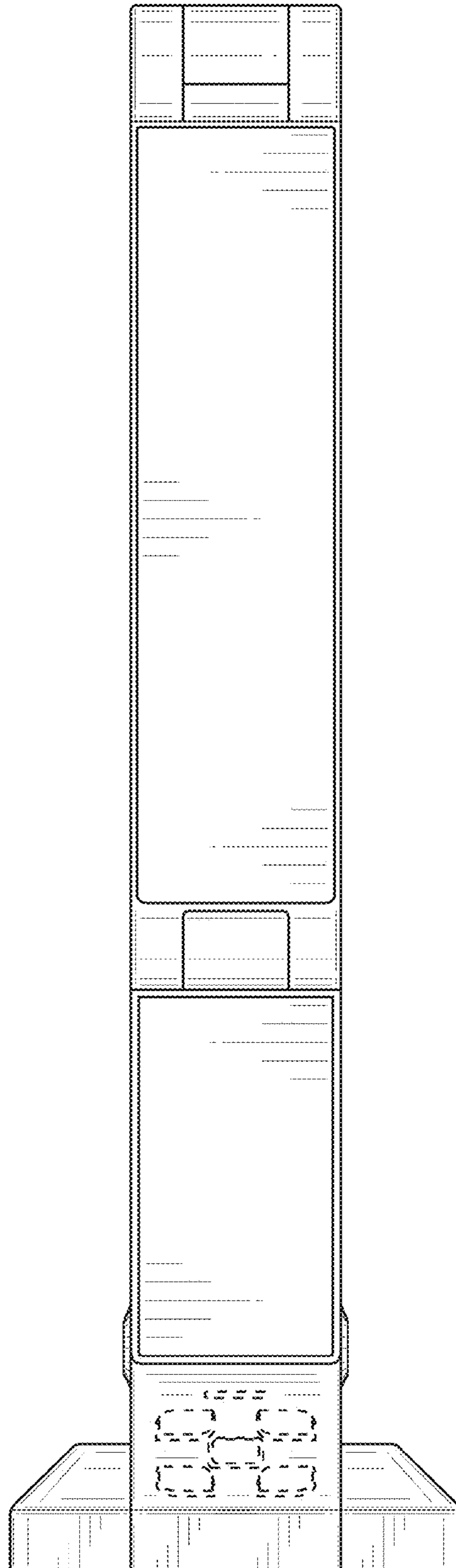


FIG. 2

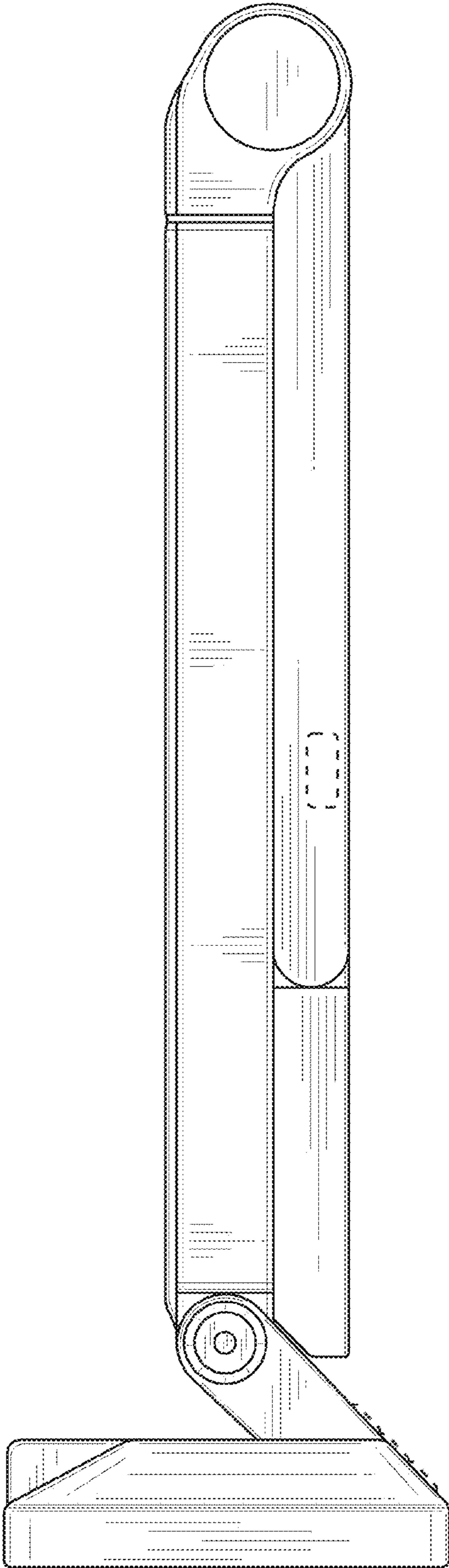


FIG. 3

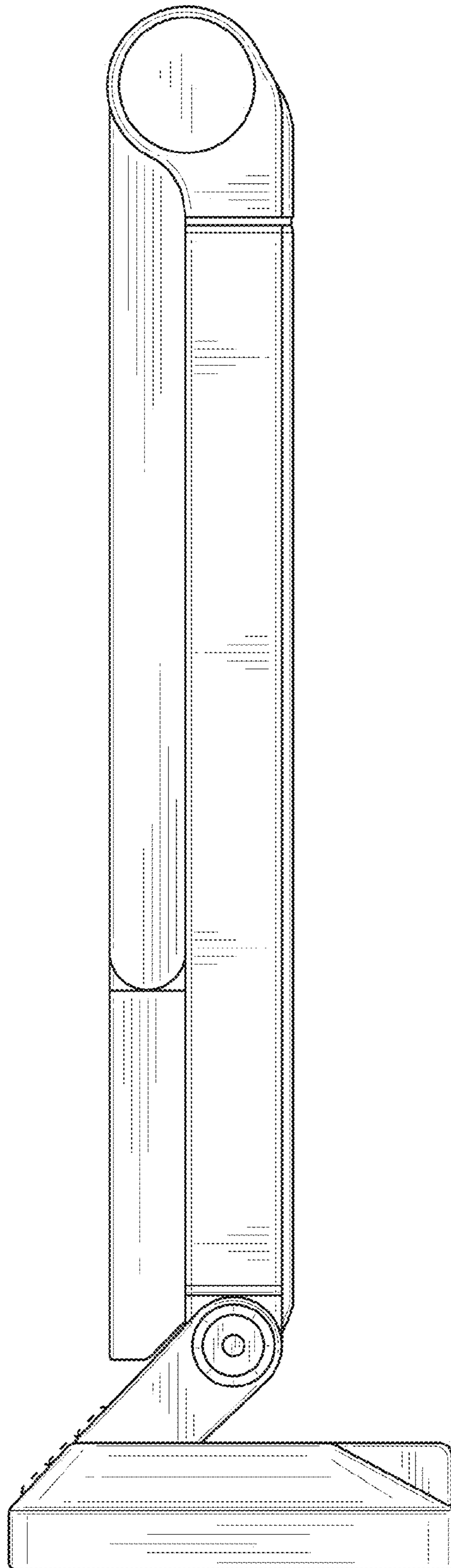


FIG. 4