



US00D715299S

(12) **United States Design Patent**
DeSerio

(10) **Patent No.:** **US D715,299 S**

(45) **Date of Patent:** **** Oct. 14, 2014**

(54) **STYLUS**

(71) Applicant: **Louis DeSerio**, Branford, CT (US)

(72) Inventor: **Louis DeSerio**, Branford, CT (US)

(**) Term: **14 Years**

(21) Appl. No.: **29/494,930**

(22) Filed: **Jun. 25, 2014**

(51) **LOC (10) Cl.** **14-02**

(52) **U.S. Cl.**
USPC **D14/411**

(58) **Field of Classification Search**

CPC G06F 3/016; G06F 3/033; G06F 3/0317;
G06F 3/03545; G06F 3/041; G06K 9/222
USPC D8/61; D14/411; D19/35, 36, 41-51,
D19/54-58; 401/55, 99, 100, 104-107, 196,
401/197, 202, 208, 209, 213, 192, 195,
401/243; 708/107; 345/179, 173;
178/19.01; 700/94

See application file for complete search history.

(56) **References Cited**

U.S. PATENT DOCUMENTS

D77,800 S *	2/1929	Vredenburg	D19/49
2,338,068 A *	12/1943	Harris et al.	401/75
D195,924 S *	8/1963	Perlmutter	D19/45
D332,446 S *	1/1993	Lin	D14/411
D344,760 S *	3/1994	Monzyk	D19/49
D443,640 S *	6/2001	Schapiro	D19/35
D576,674 S *	9/2008	Tseng	D19/36
D617,798 S *	6/2010	Liu	D14/411
D634,325 S *	3/2011	Naulapaa	D14/411
D661,285 S *	6/2012	Ivaskevicius	D14/230
D681,037 S *	4/2013	Hashi	D14/411
D707,227 S *	6/2014	Chung et al.	D14/411

* cited by examiner

Primary Examiner — Austin Murphy

(74) *Attorney, Agent, or Firm* — Cantor Colburn LLP

(57) **CLAIM**

I claim, an ornamental design for a stylus, as shown and described.

DESCRIPTION

FIG. 1 is a top front perspective view of a stylus, showing my new design;

FIG. 2 is a bottom front perspective view thereof;

FIG. 3 is a front elevation view thereof;

FIG. 4 is a rear elevation view thereof;

FIG. 5 is a right side elevation view thereof;

FIG. 6 is a left side elevation view thereof;

FIG. 7 is a top plan view thereof;

FIG. 8 bottom plan view thereof;

FIG. 9 is a top front perspective view of a stylus, showing my new design in another exemplary embodiment;

FIG. 10 is a bottom front perspective view thereof;

FIG. 11 is a front elevation view thereof;

FIG. 12 is a rear elevation view thereof;

FIG. 13 is a right side elevation view thereof;

FIG. 14 is a left side elevation view thereof;

FIG. 15 is a top plan view thereof;

FIG. 16 bottom plan view thereof;

FIG. 17 is a top front perspective view of a stylus, showing my new design in another exemplary embodiment;

FIG. 18 is a bottom front perspective view thereof;

FIG. 19 is a front elevation view thereof;

FIG. 20 is a rear elevation view thereof;

FIG. 21 is a right side elevation view thereof;

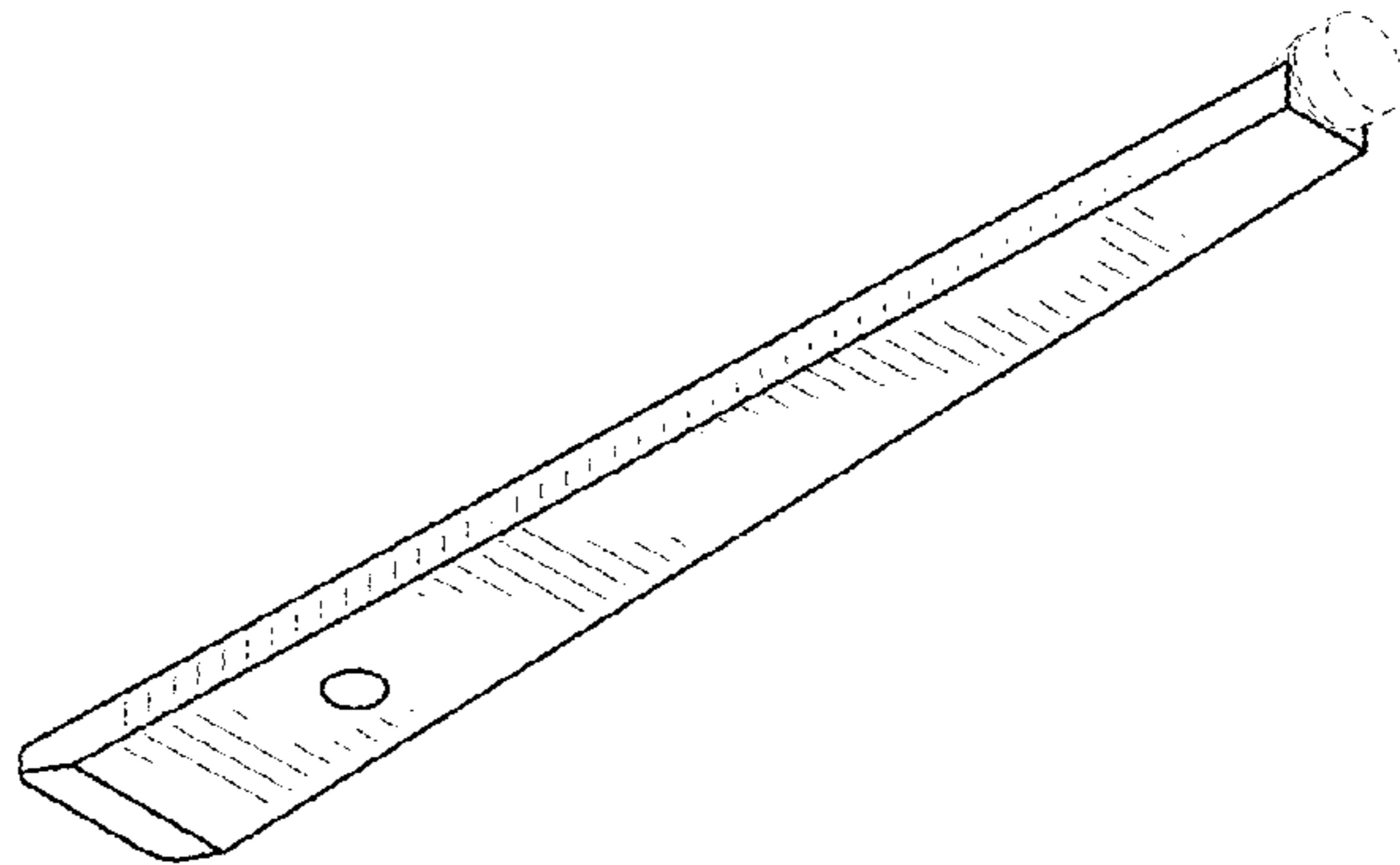
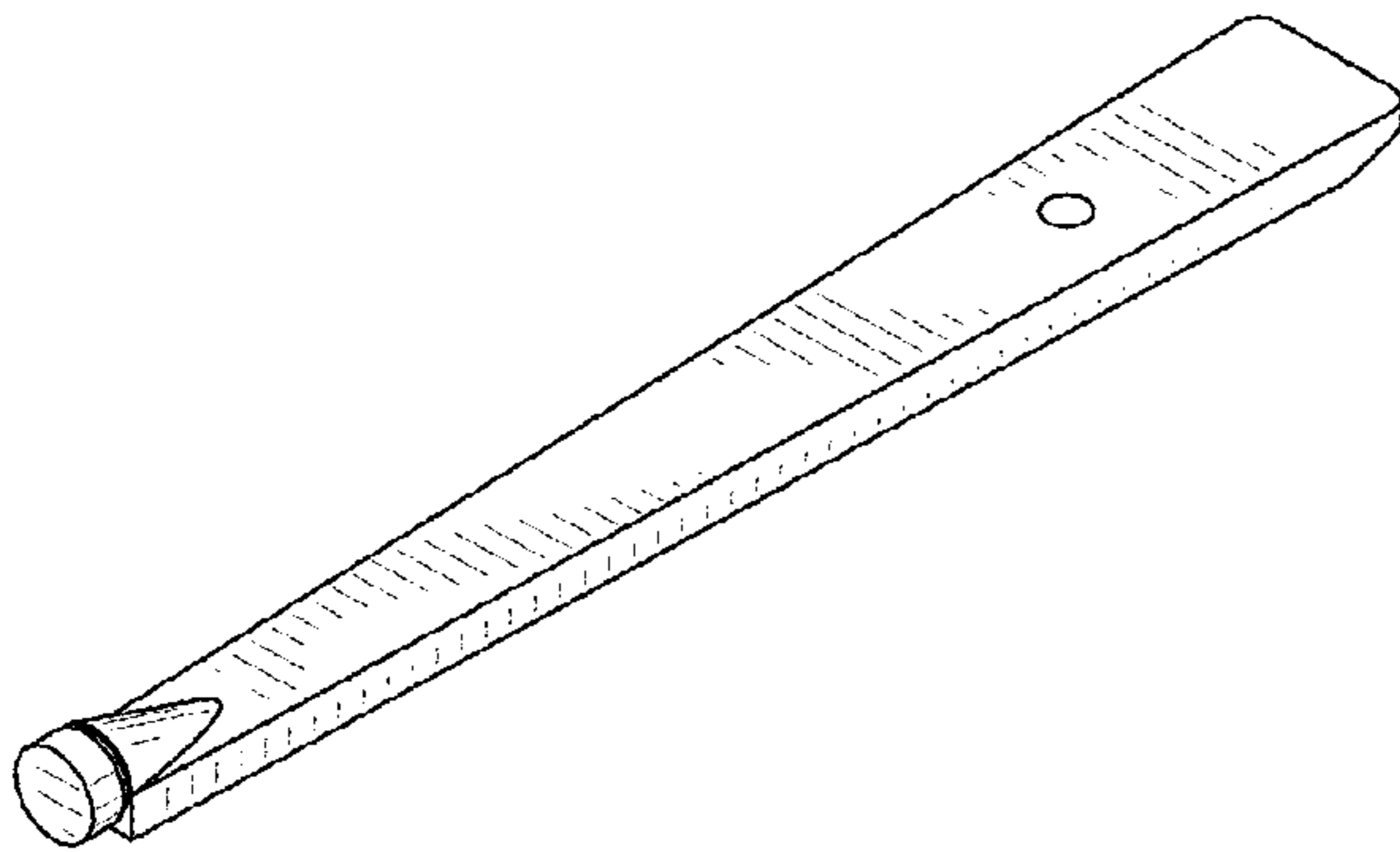
FIG. 22 is a left side elevation view thereof;

FIG. 23 is a top plan view thereof; and,

FIG. 24 bottom plan view thereof.

The broken-lines shown in the drawings represent portions of the article that form no part of the claimed design.

1 Claim, 3 Drawing Sheets



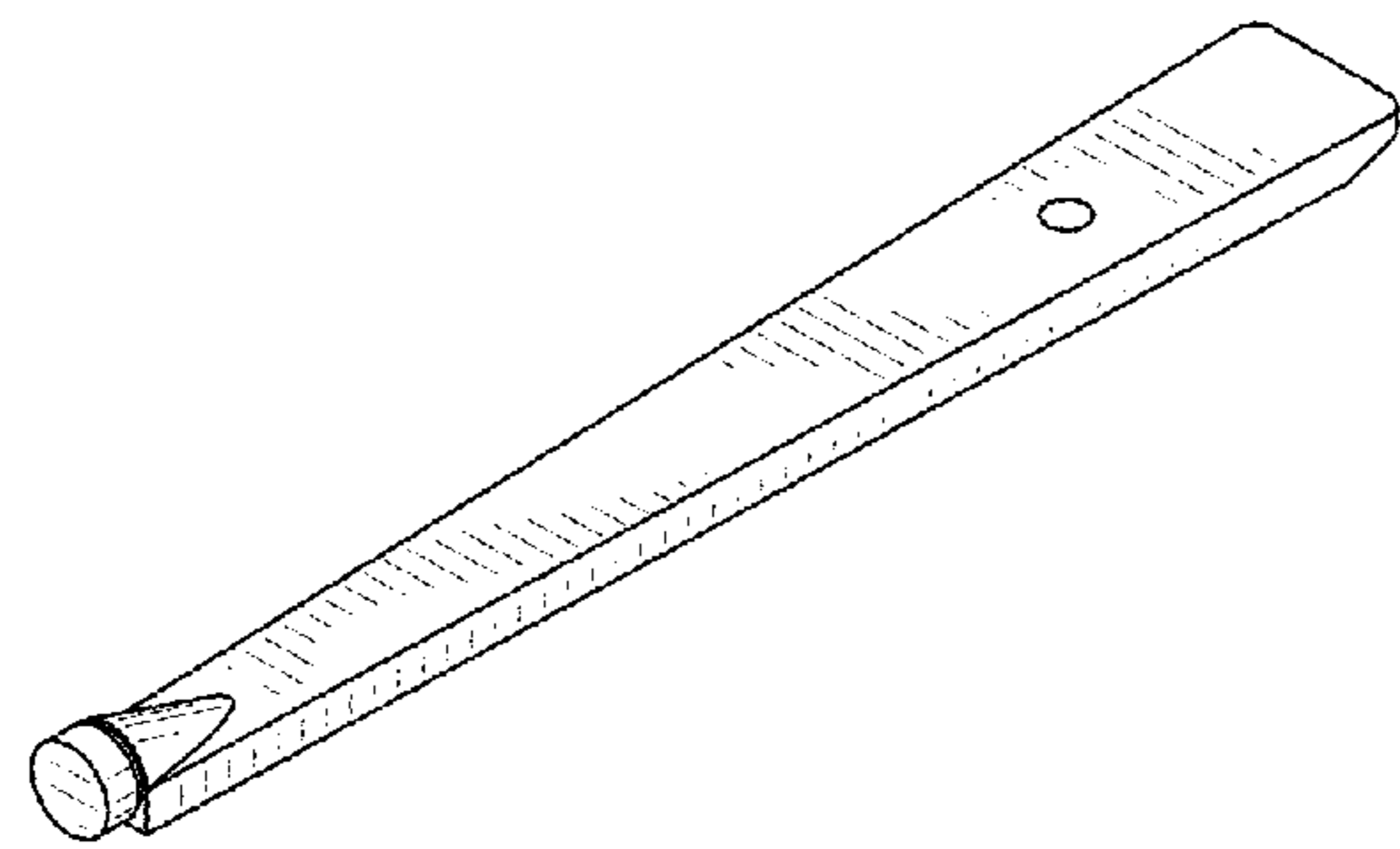


FIG. 1

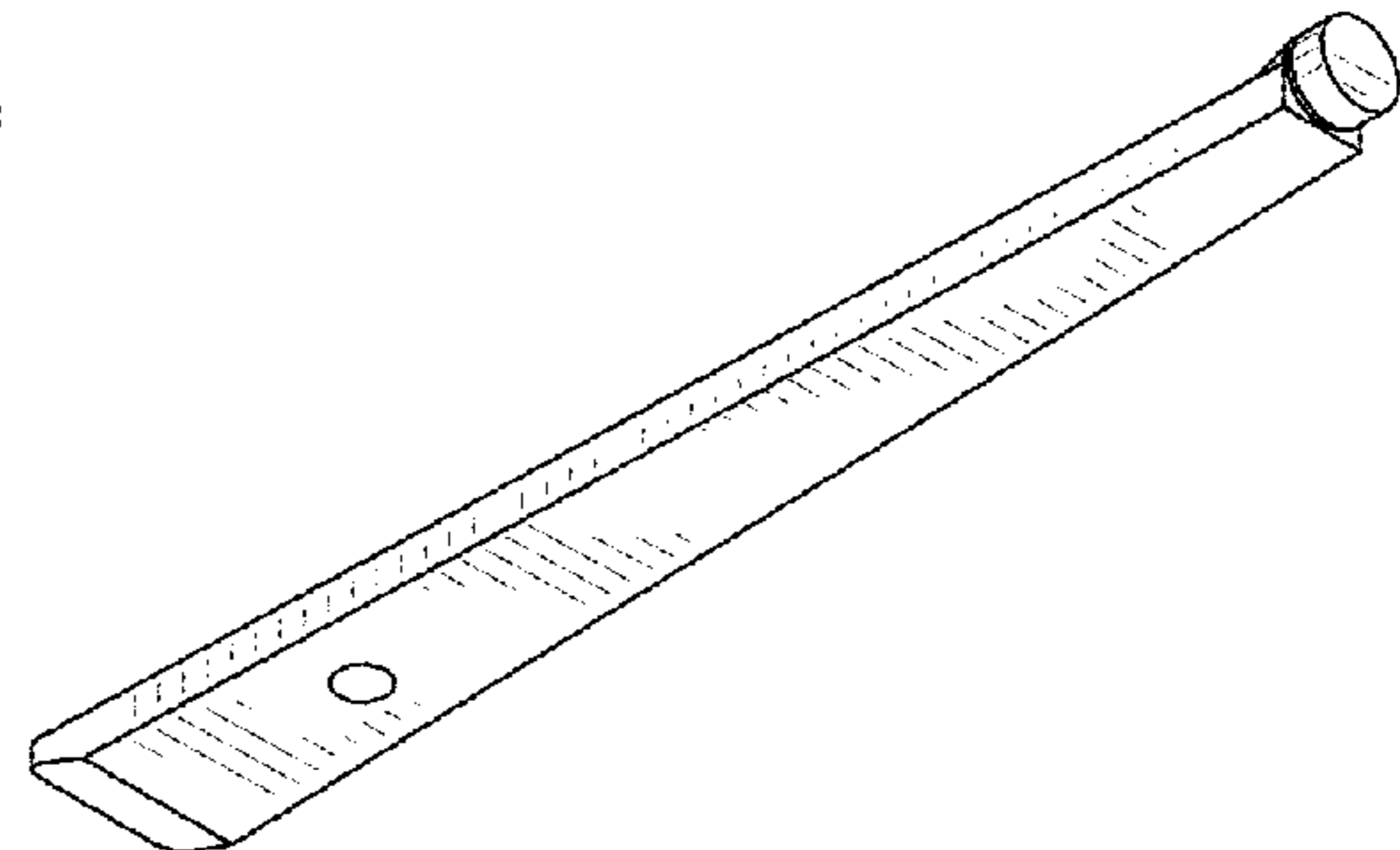


FIG. 2



FIG. 3



FIG. 4



FIG. 7

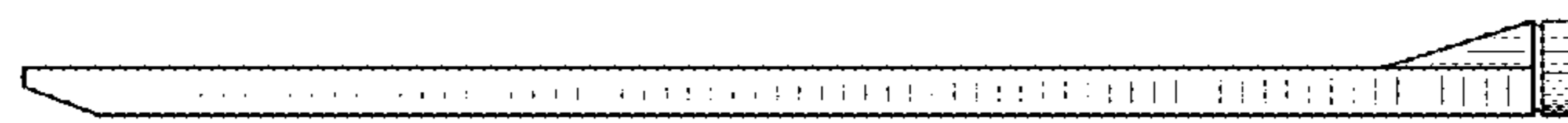


FIG. 5



FIG. 6

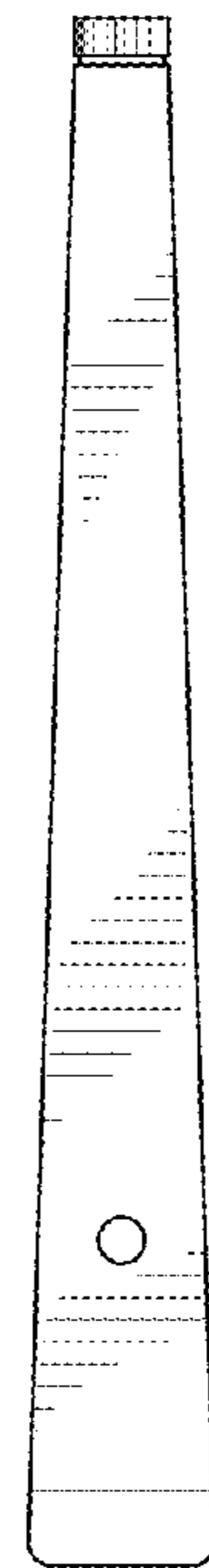


FIG. 8

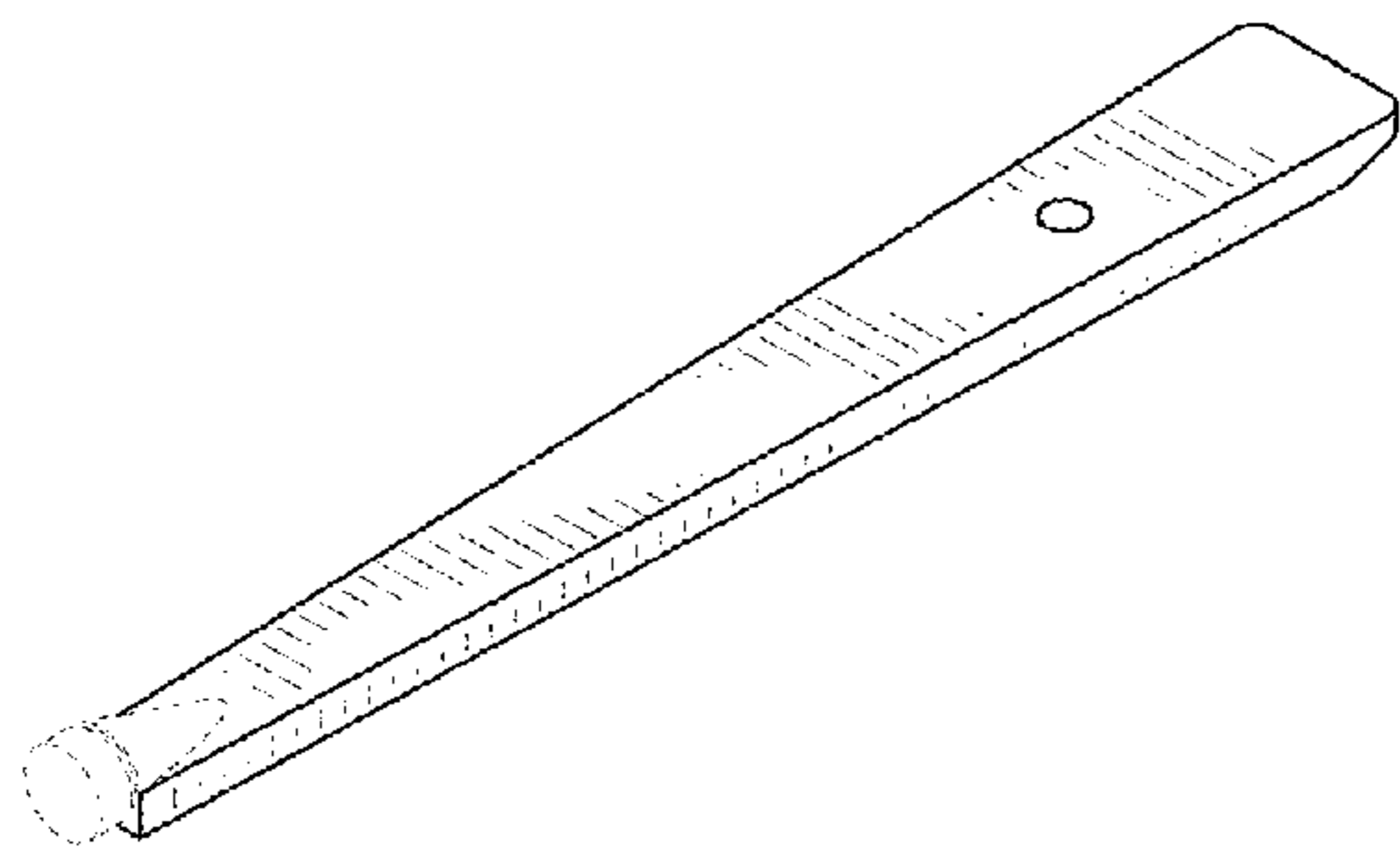


FIG. 9

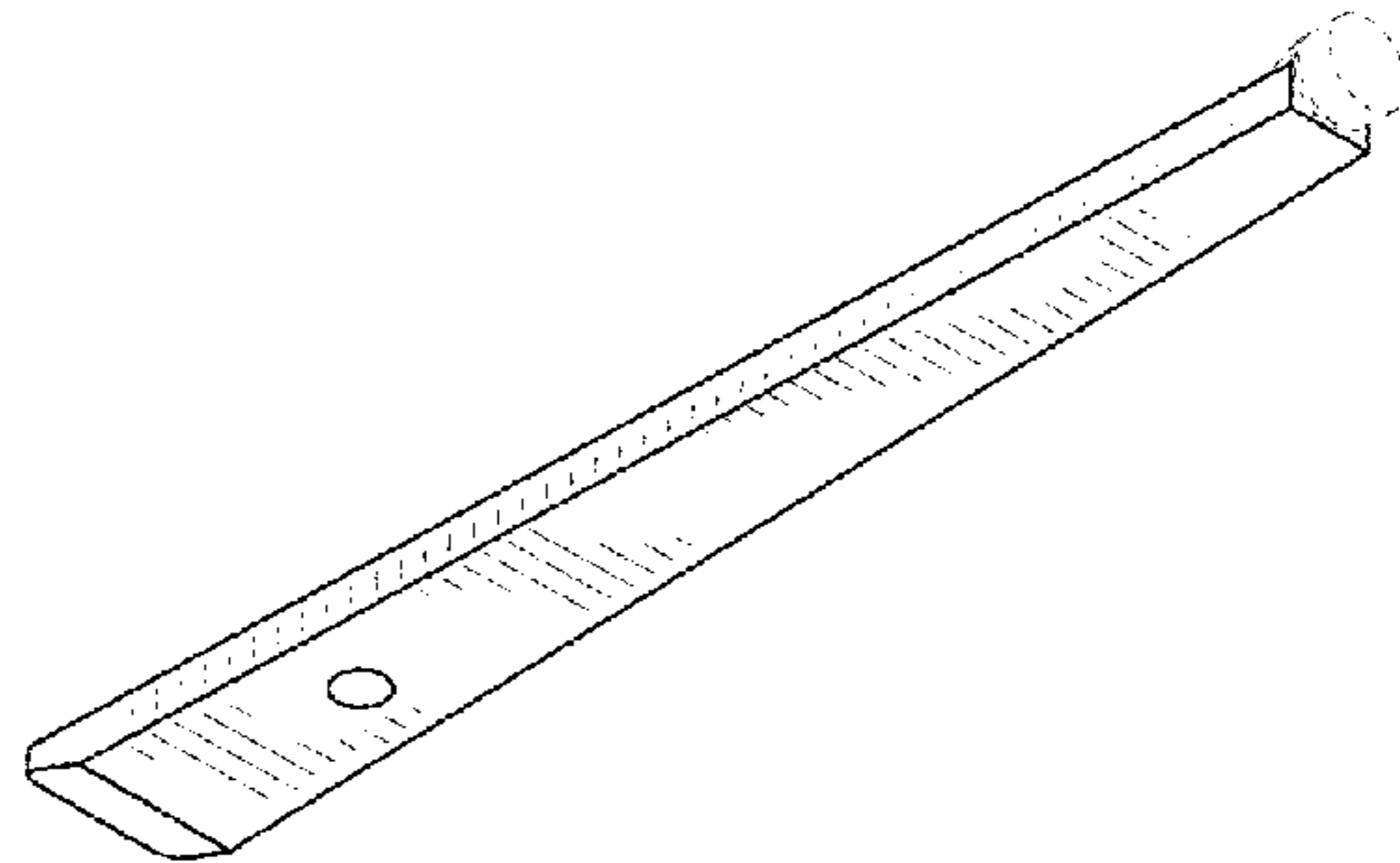


FIG. 10



FIG. 11

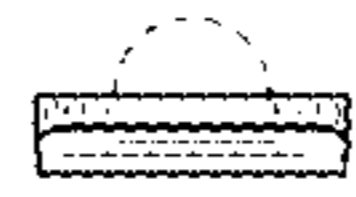


FIG. 12

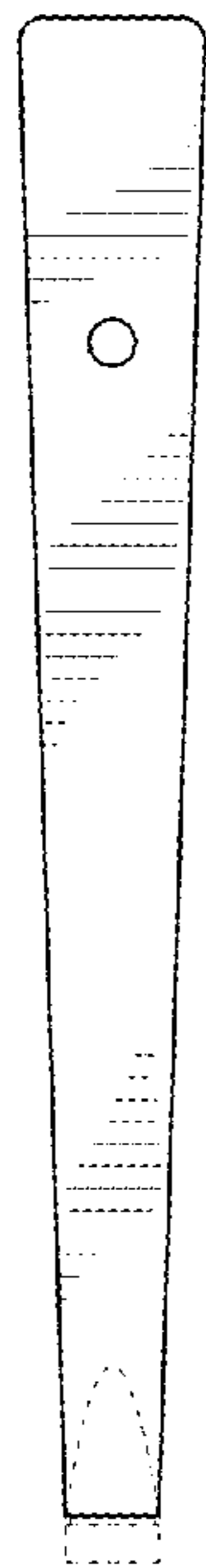


FIG. 15

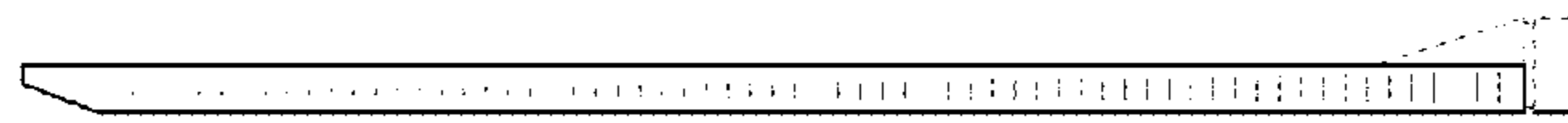


FIG. 13



FIG. 14



FIG. 16

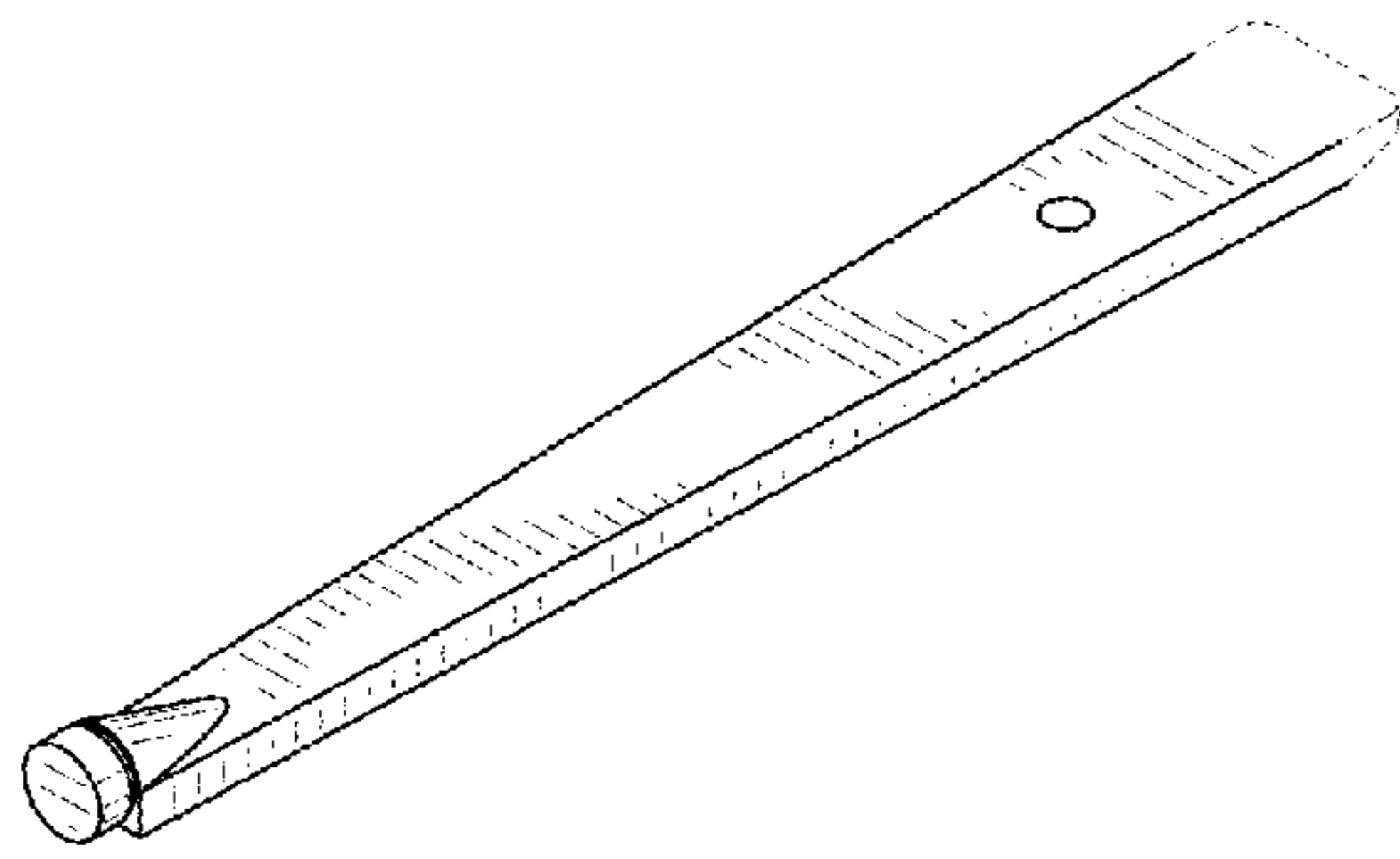


FIG. 17

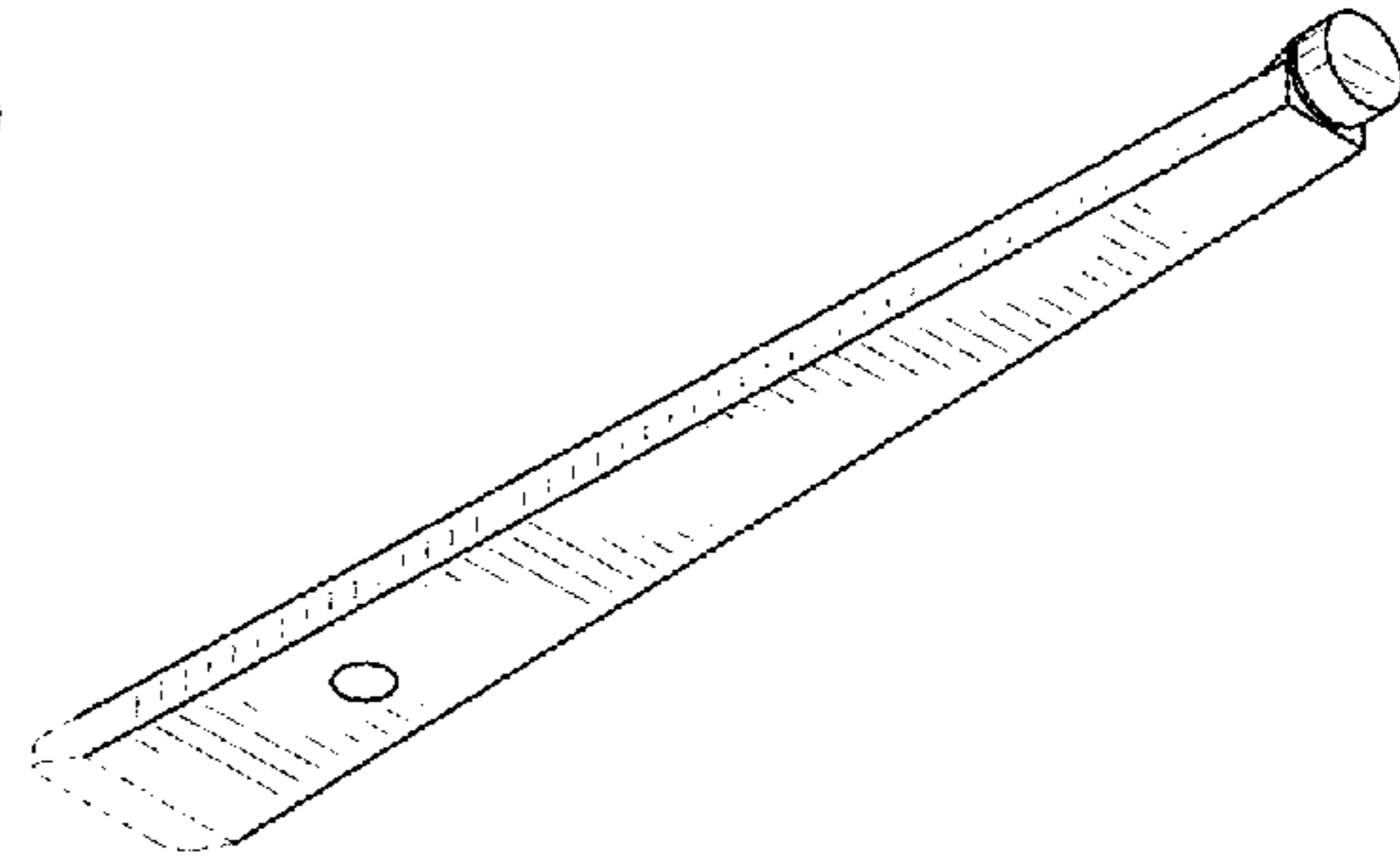


FIG. 18



FIG. 19



FIG. 20

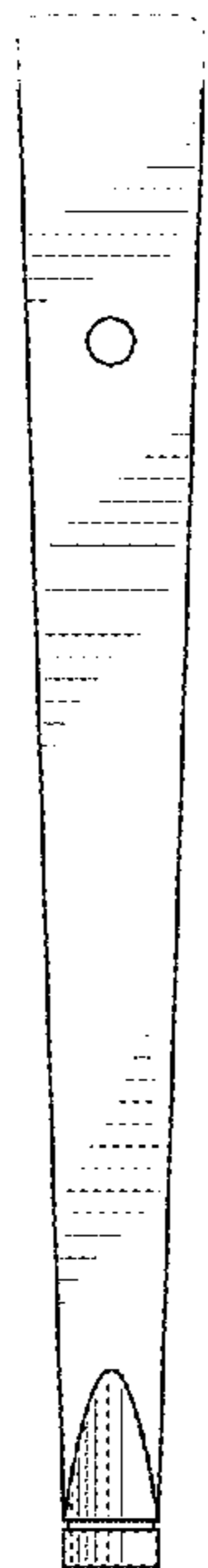


FIG. 23

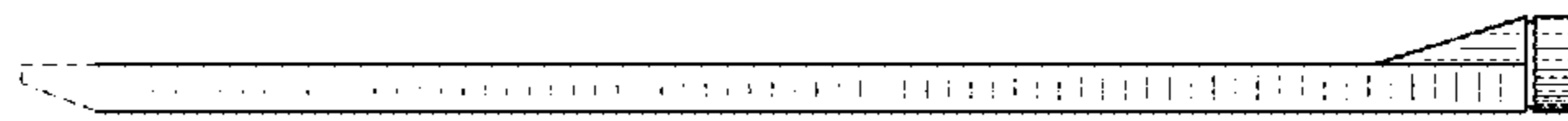


FIG. 21



FIG. 22



FIG. 24