



US00D715295S

(12) **United States Design Patent**  
**Lee et al.**

(10) **Patent No.:** **US D715,295 S**  
(45) **Date of Patent:** **\*\* Oct. 14, 2014**

(54) **HEAD MOUNTED DISPLAY DEVICE**

(71) Applicant: **LG Electronics Inc.**, Seoul (KR)

(72) Inventors: **Hophil Lee**, Gyeonggi-do (KR);  
**Eunseok Choi**, Gyeonggi-do (KR);  
**Seungbeom Park**, Gyeonggi-do (KR)

(73) Assignee: **LG Electronics Inc.**, Seoul (KR)

(\*\*) Term: **14 Years**

(21) Appl. No.: **29/487,727**

(22) Filed: **Apr. 11, 2014**

(30) **Foreign Application Priority Data**

Oct. 15, 2013 (KR) ..... 30-2013-0052107

(51) **LOC (10) Cl.** ..... **14-02**

(52) **U.S. Cl.**  
USPC ..... **D14/372**

(58) **Field of Classification Search**

CPC ..... G02B 27/017; G02B 27/0158; G02B  
27/0161; G02B 27/0181; G02B 27/0185;  
G02B 27/0189

USPC ..... D14/372, 496, 432, 371, 125, 126, 129,  
D14/299; D16/300-342; 351/158, 153, 144;  
345/7-9, 905; 455/344; 348/115, 53,  
348/121, 739

See application file for complete search history.

(56) **References Cited**

**U.S. PATENT DOCUMENTS**

D402,651 S \* 12/1998 Depay et al. .... D14/372  
D533,893 S \* 12/2006 Canavan et al. .... D16/330  
D565,082 S \* 3/2008 McClure et al. .... D16/309  
D647,123 S \* 10/2011 Cho ..... D16/309  
D659,739 S \* 5/2012 Olsson et al. .... D16/300  
D660,341 S \* 5/2012 Olsson et al. .... D16/300

D662,964 S \* 7/2012 Olsson et al. .... D16/300  
D664,184 S \* 7/2012 Olsson et al. .... D16/309  
D664,586 S \* 7/2012 Olsson ..... D16/300  
D671,589 S \* 11/2012 Olsson ..... D16/300  
D680,152 S \* 4/2013 Olsson et al. .... D16/309  
D697,130 S \* 1/2014 Lovgren ..... D16/312  
D697,962 S \* 1/2014 Olsson ..... D16/300  
D701,506 S \* 3/2014 Pombo ..... D14/372  
D701,557 S \* 3/2014 Lee et al. .... D16/309  
D703,724 S \* 4/2014 Olsson ..... D16/300

\* cited by examiner

*Primary Examiner* — Austin Murphy

(74) *Attorney, Agent, or Firm* — Morgan, Lewis & Bockius  
LLP

(57) **CLAIM**

The ornamental design for a head mounted display device, as  
shown and described.

**DESCRIPTION**

FIG. 1 is a perspective view of a head mounted display device  
showing our new design;  
FIG. 2 is a front view thereof;  
FIG. 3 is a rear view thereof;  
FIG. 4 is a left side view thereof;  
FIG. 5 is a right side view thereof;  
FIG. 6 is a top plan view thereof;  
FIG. 7 is a bottom plan view thereof;  
FIG. 8 is a side view thereof, showing the article in a position  
of use;  
FIG. 9 is an exploded perspective view thereof;  
FIG. 10 is a side view thereof, showing the article in an  
alternate position of use; and,  
FIG. 11 is an alternate view of FIG. 1 showing a transparent  
portion of the article depicted in parallel diagonal lines.  
The broken lines in FIG. 8 and FIG. 10 show environmental  
structure only and form no part of the claimed design.

**1 Claim, 11 Drawing Sheets**

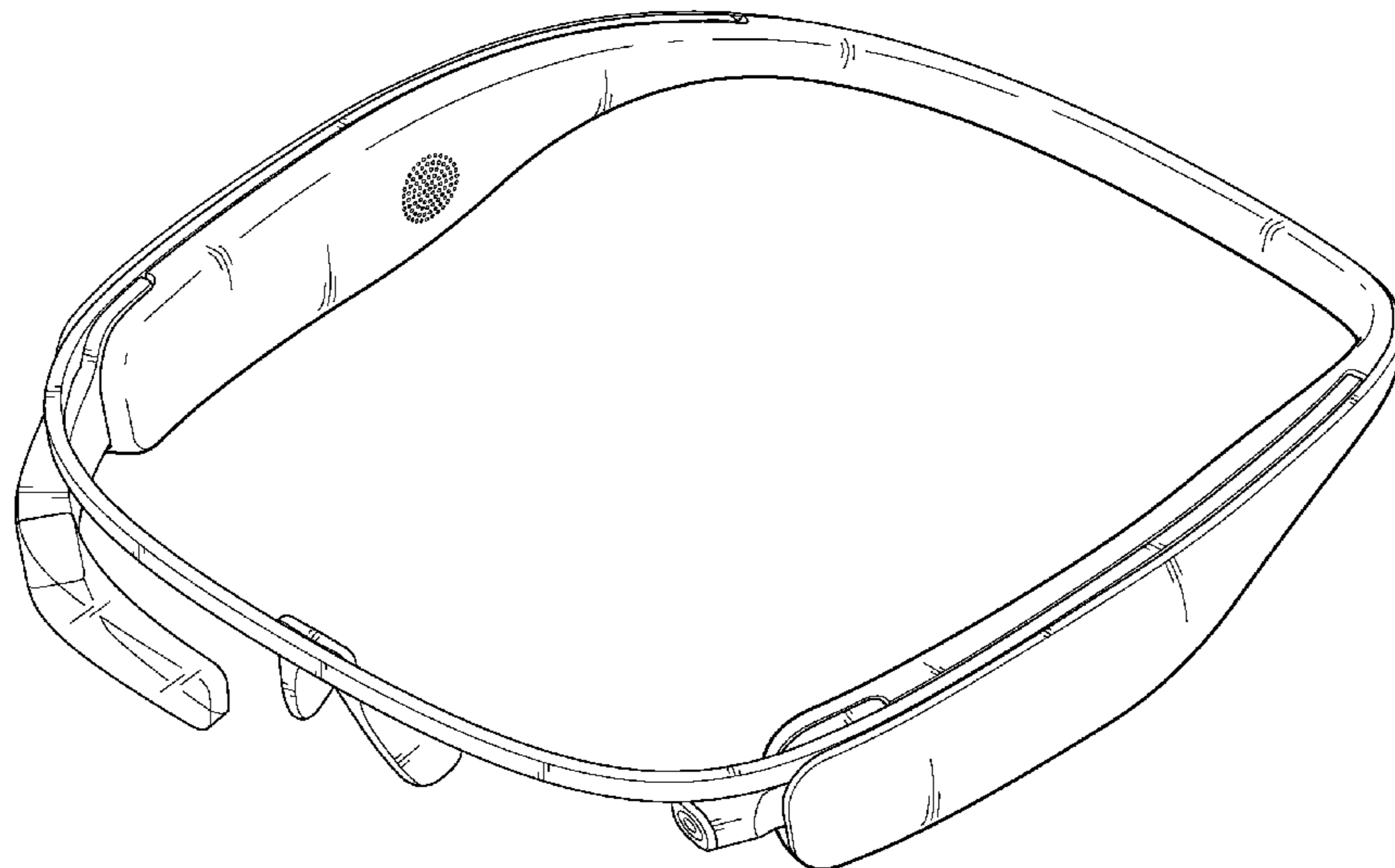


FIG. 1

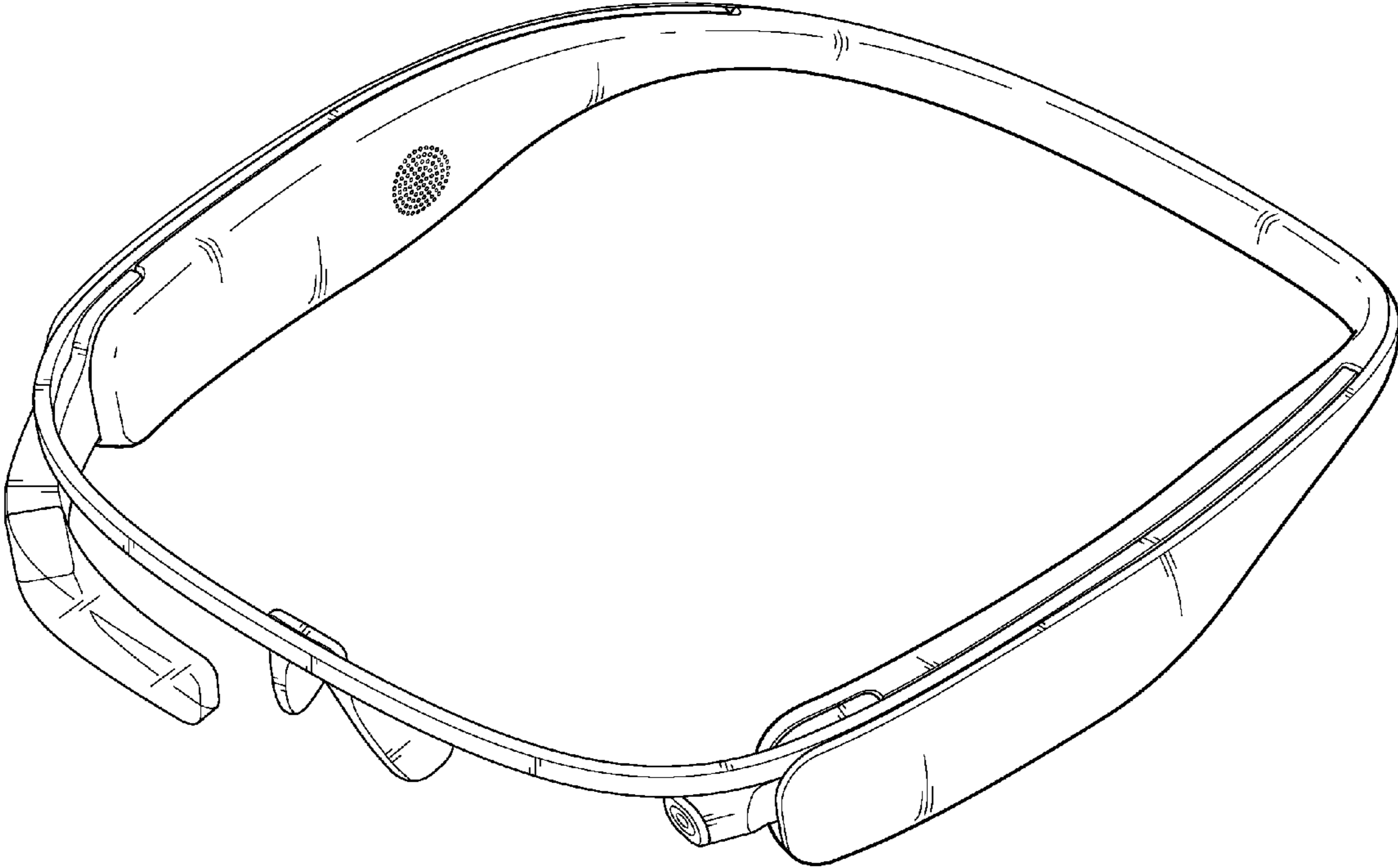


FIG. 2

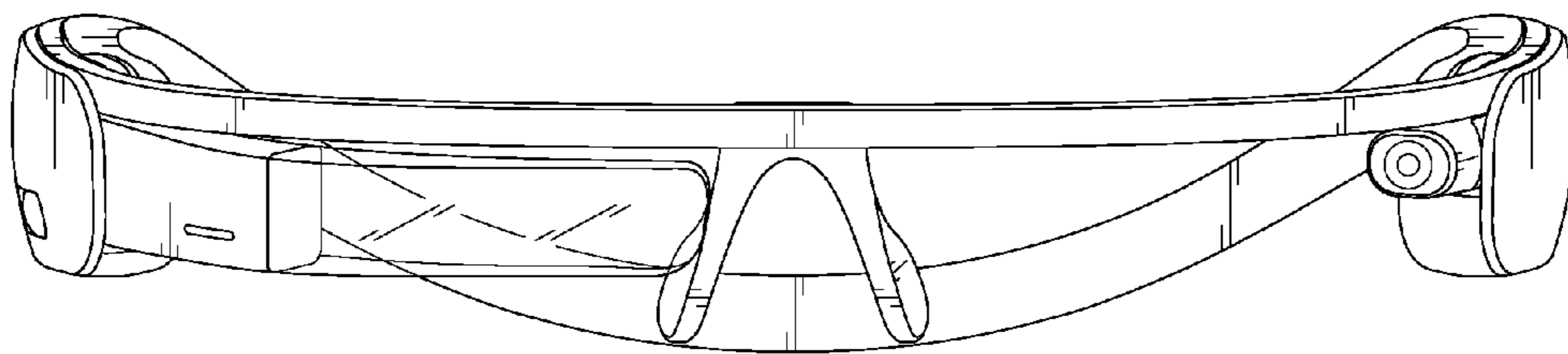


FIG. 3

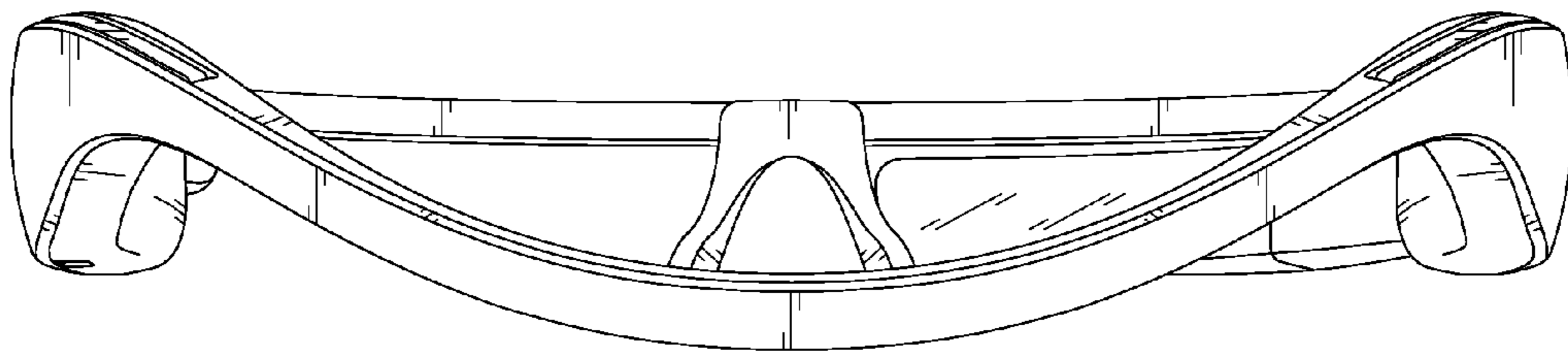


FIG. 4

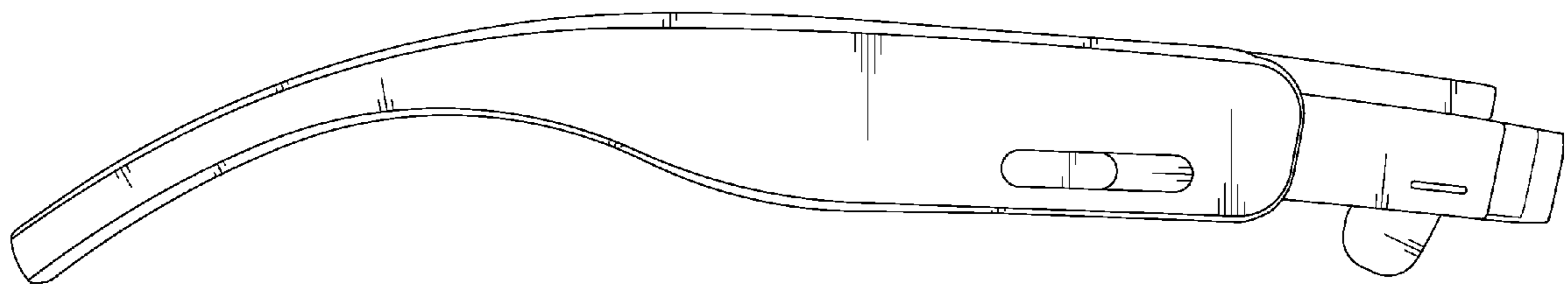


FIG. 5

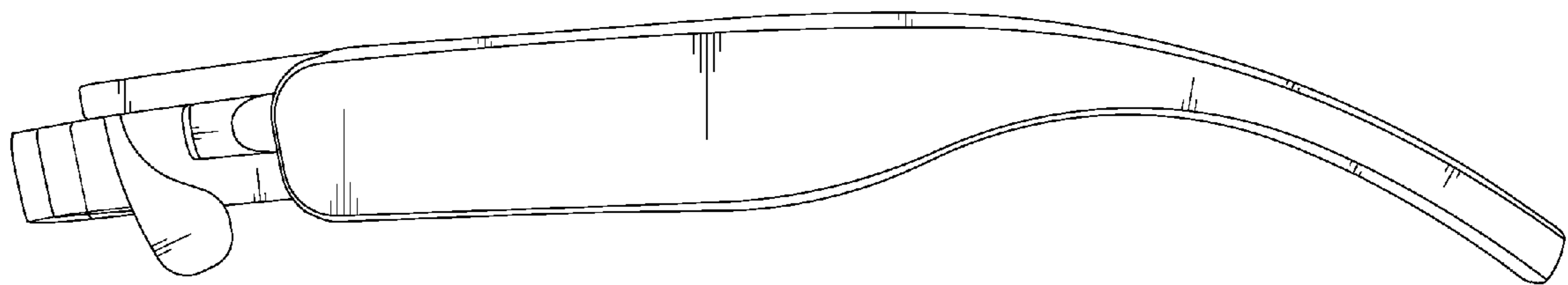


FIG. 6

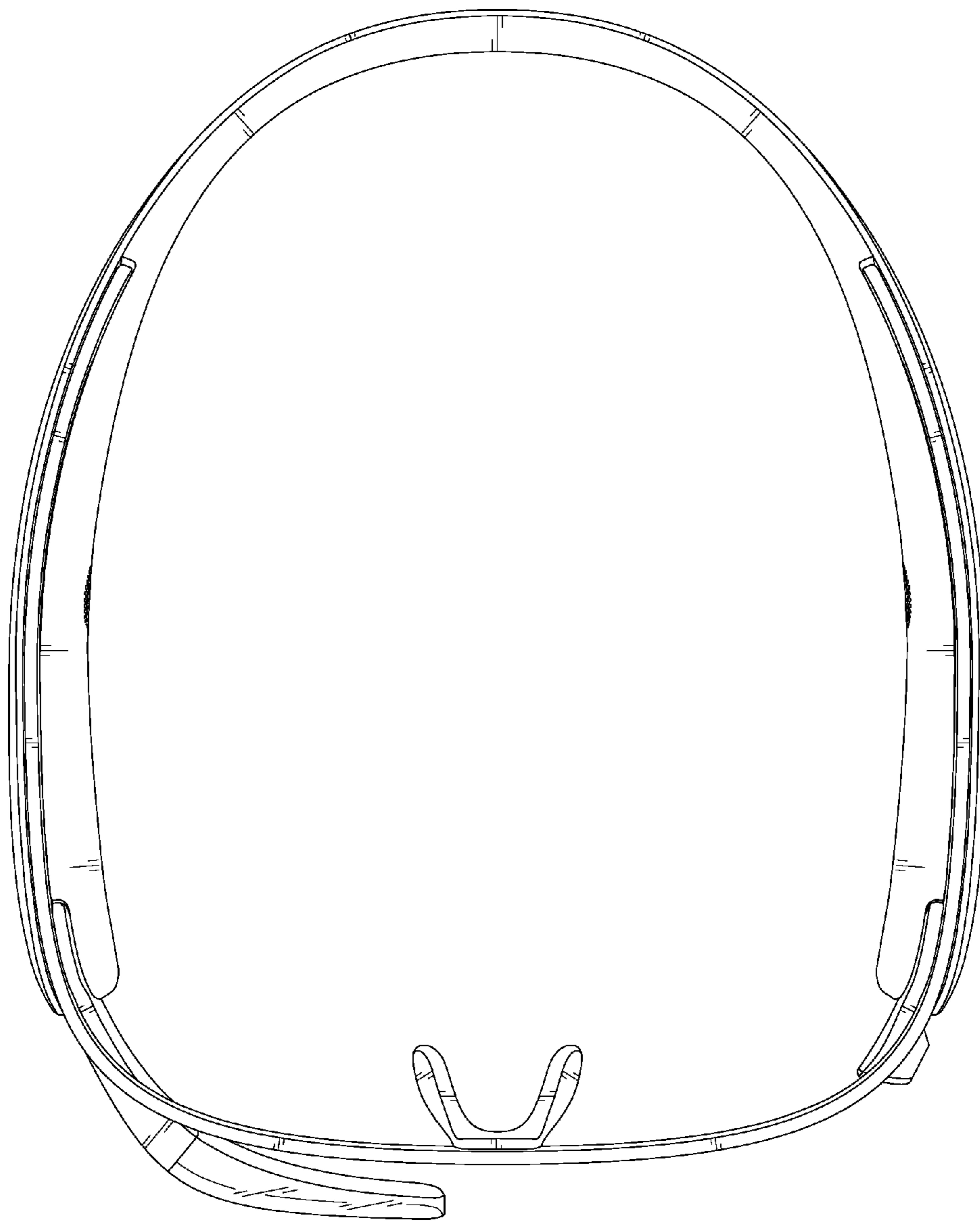


FIG. 7

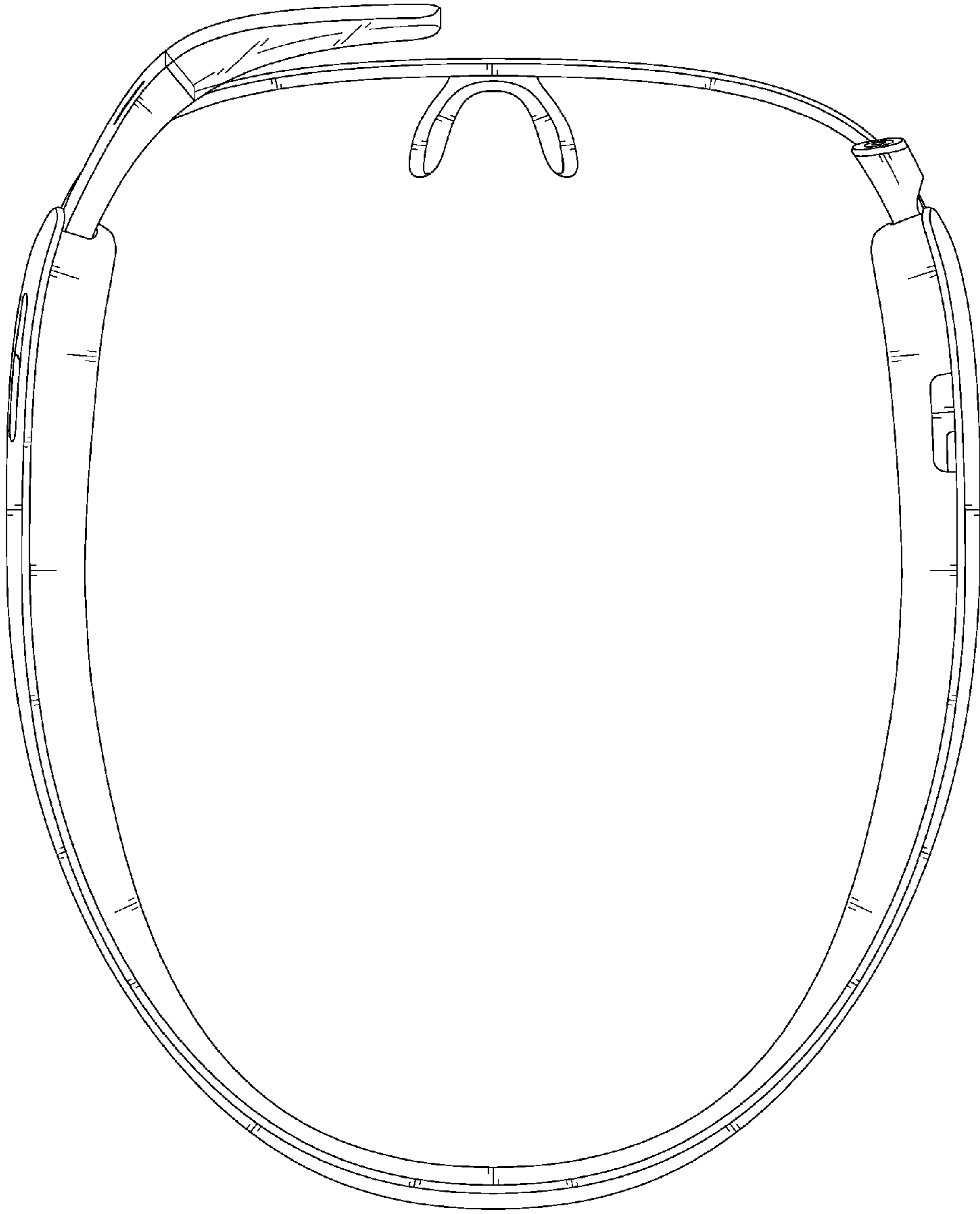




FIG. 8

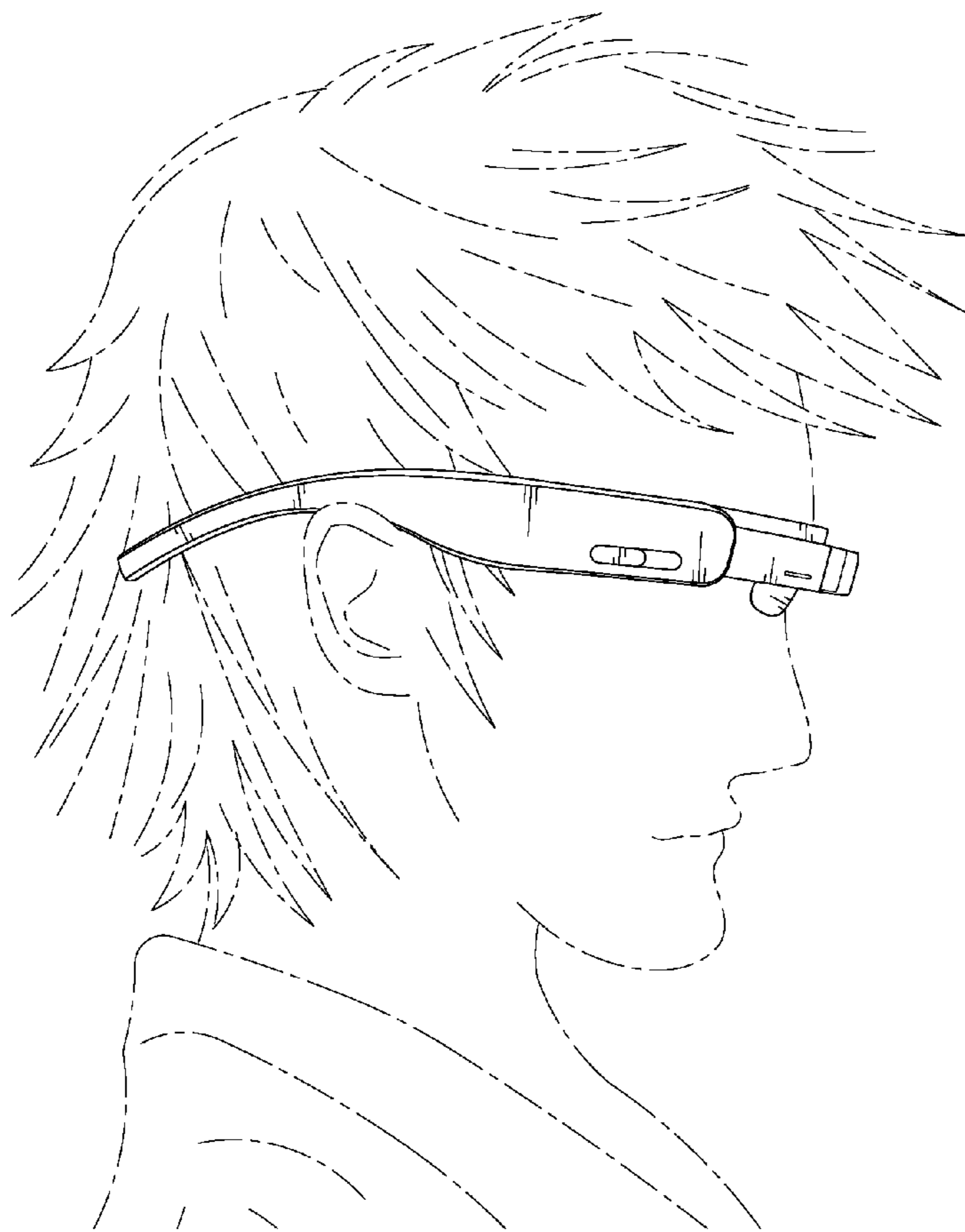


FIG. 9

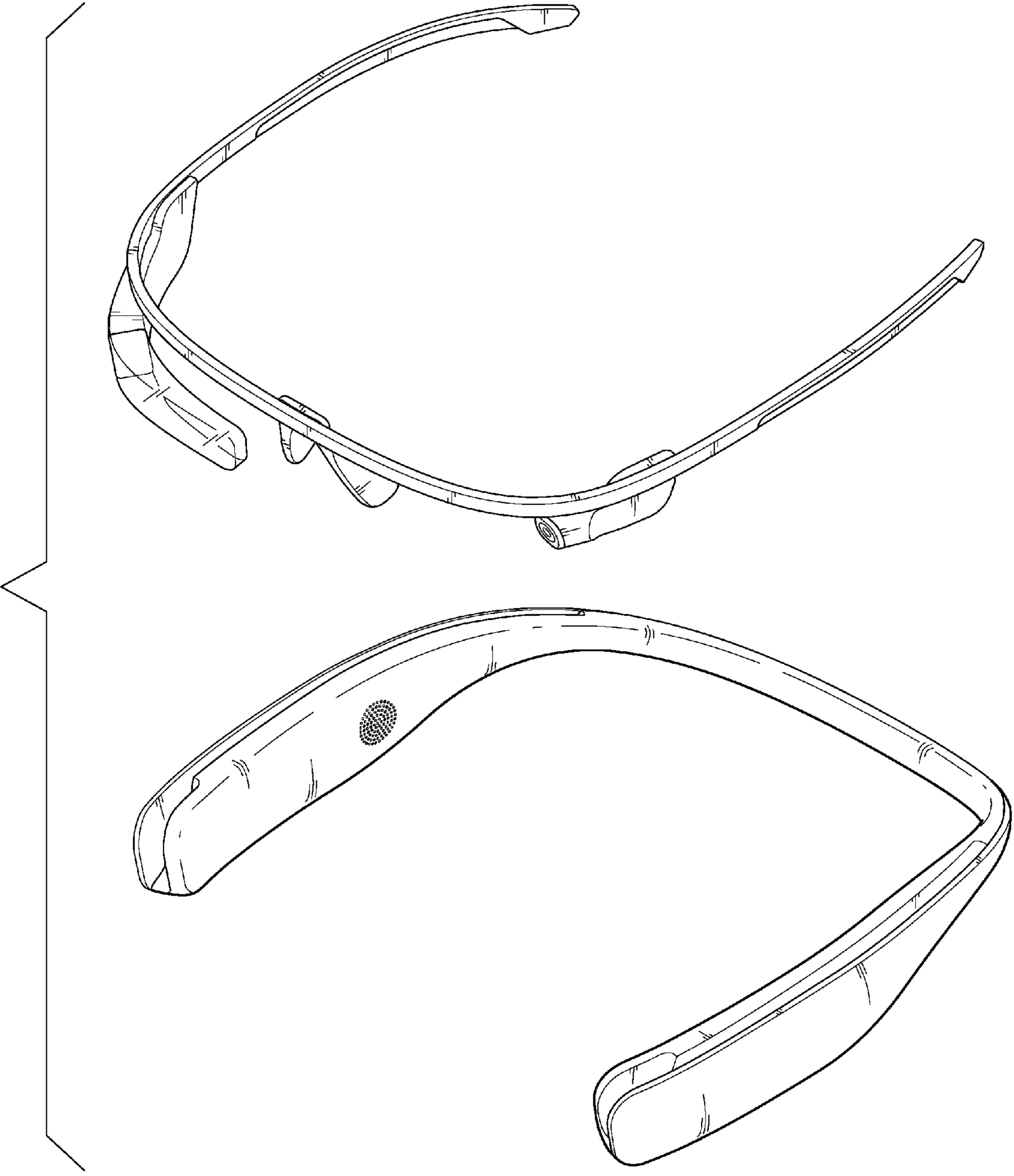


FIG. 10

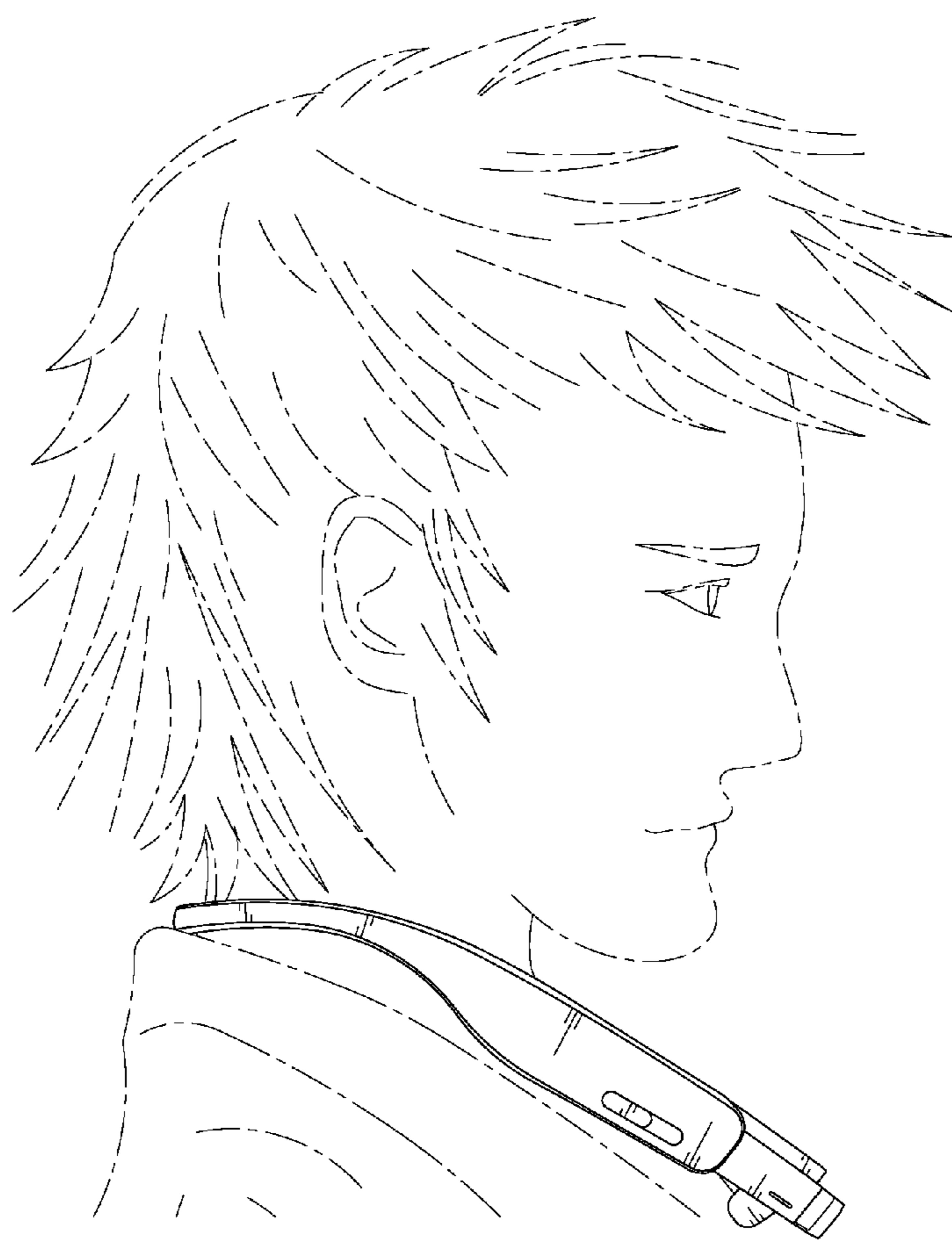


FIG. 11

