



US00D715294S

(12) **United States Design Patent**  
**Koberling et al.**

(10) **Patent No.:** **US D715,294 S**

(45) **Date of Patent:** **\*\* Oct. 14, 2014**

(54) **ARITHMETIC AND CONTROL UNIT**

(71) Applicant: **Fujitsu Limited**, Kawasaki (JP)

(72) Inventors: **Toni Koberling**, München (DE);  
**Nobuharu Tsusaka**, Kawasaki (JP);  
**Hiroyuki Fujita**, Tokyo (JP); **Hisao Morooka**, Kawasaki (JP); **Eiji Nagao**, Ichikawa (JP); **Mark Friesen**, Tokyo (JP)

(73) Assignee: **Fujitsu Limited**, Kawasaki (JP)

(\*\*) Term: **14 Years**

(21) Appl. No.: **29/454,065**

(22) Filed: **May 6, 2013**

(30) **Foreign Application Priority Data**

Nov. 6, 2012 (JP) ..... 2012-027030

(51) **LOC (10) Cl.** ..... **14-02**

(52) **U.S. Cl.**  
USPC ..... **D14/349; D14/308**

(58) **Field of Classification Search**  
USPC ..... 263/300, 308, 348-358, 365; D13/162,  
D13/184, 199; 312/223.1-223.3, 351.11;  
360/99.01-99.12; 369/34.01-36.01;  
361/679.6, 679.31-679.33, 679.58

See application file for complete search history.

(56) **References Cited**

U.S. PATENT DOCUMENTS

D537,076 S \* 2/2007 Lauffer et al. .... D14/349  
D537,443 S \* 2/2007 Lauffer et al. .... D14/349  
D598,448 S \* 8/2009 Lauffer et al. .... D14/349

\* cited by examiner

*Primary Examiner* — Freda S Nunn

(74) *Attorney, Agent, or Firm* — Staas & Halsey LLP

(57) **CLAIM**

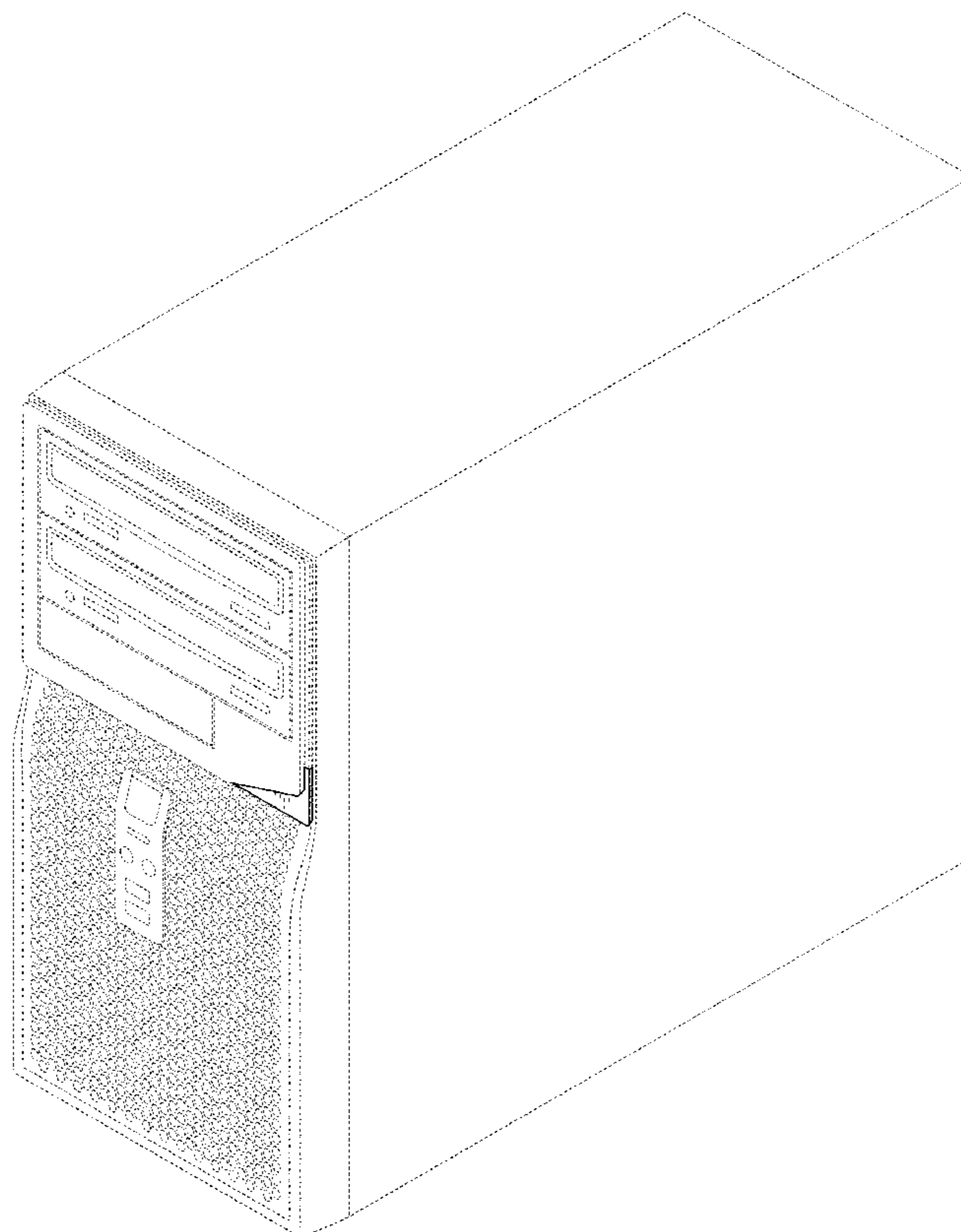
The ornamental design for an arithmetic and control unit, as shown and described.

**DESCRIPTION**

FIG. 1 is a perspective view of front, top and right side of an arithmetic and control unit showing our new design;  
FIG. 2 is a front view thereof;  
FIG. 3 is a rear view thereof;  
FIG. 4 is a left side view thereof;  
FIG. 5 is a right side view thereof;  
FIG. 6 is a top view thereof;  
FIG. 7 is a bottom view thereof; and,  
FIG. 8 is an enlarged view taken along line 8-8 and line 8'-8' in FIG. 2.

The broken lines shown in the drawings illustrate portions of the unit, and form no part of the claimed design. The tiny dot-dash line shown on the right side of FIG. 8 represents the boundary between claimed and unclaimed areas.

**1 Claim, 6 Drawing Sheets**



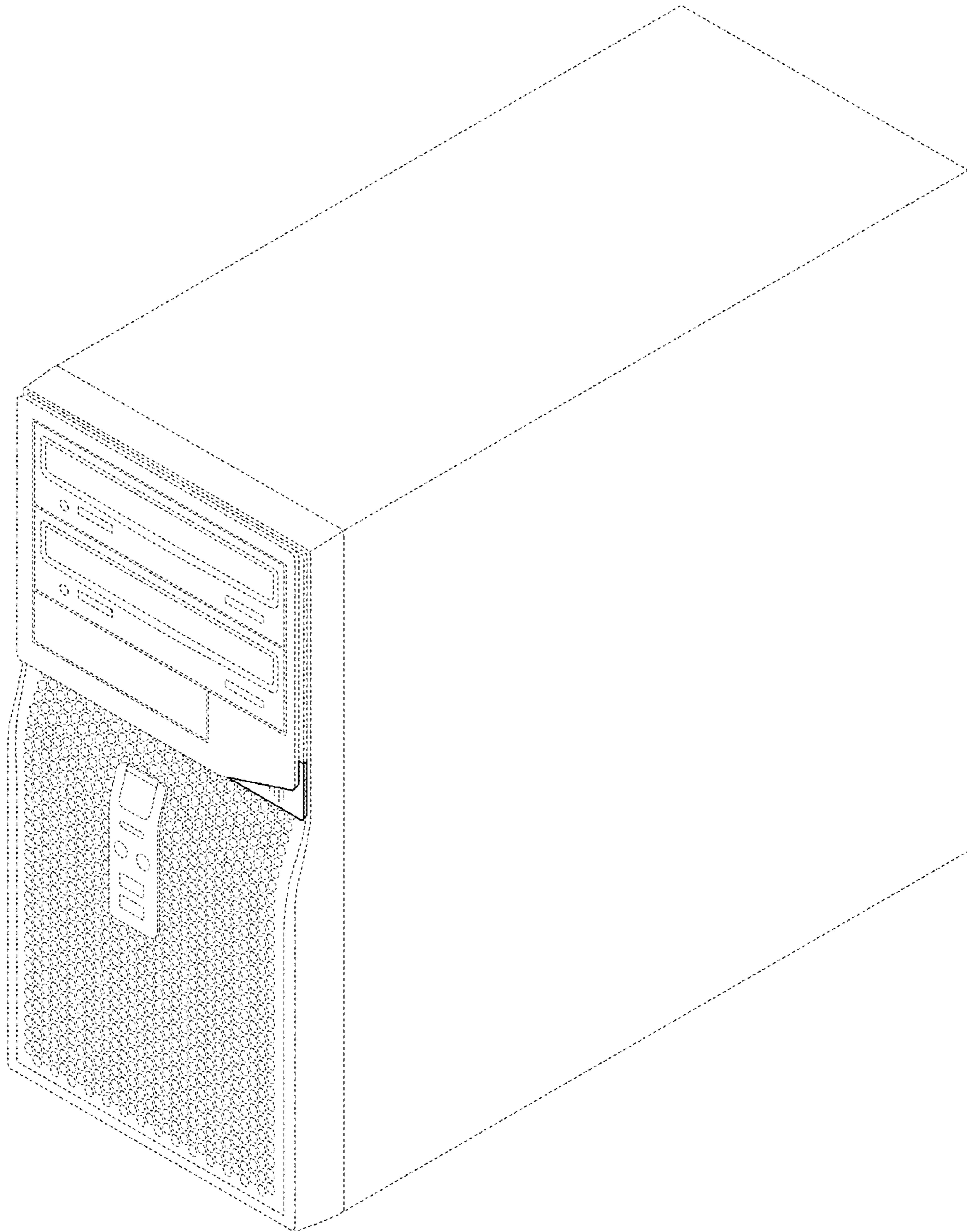


FIG. 1

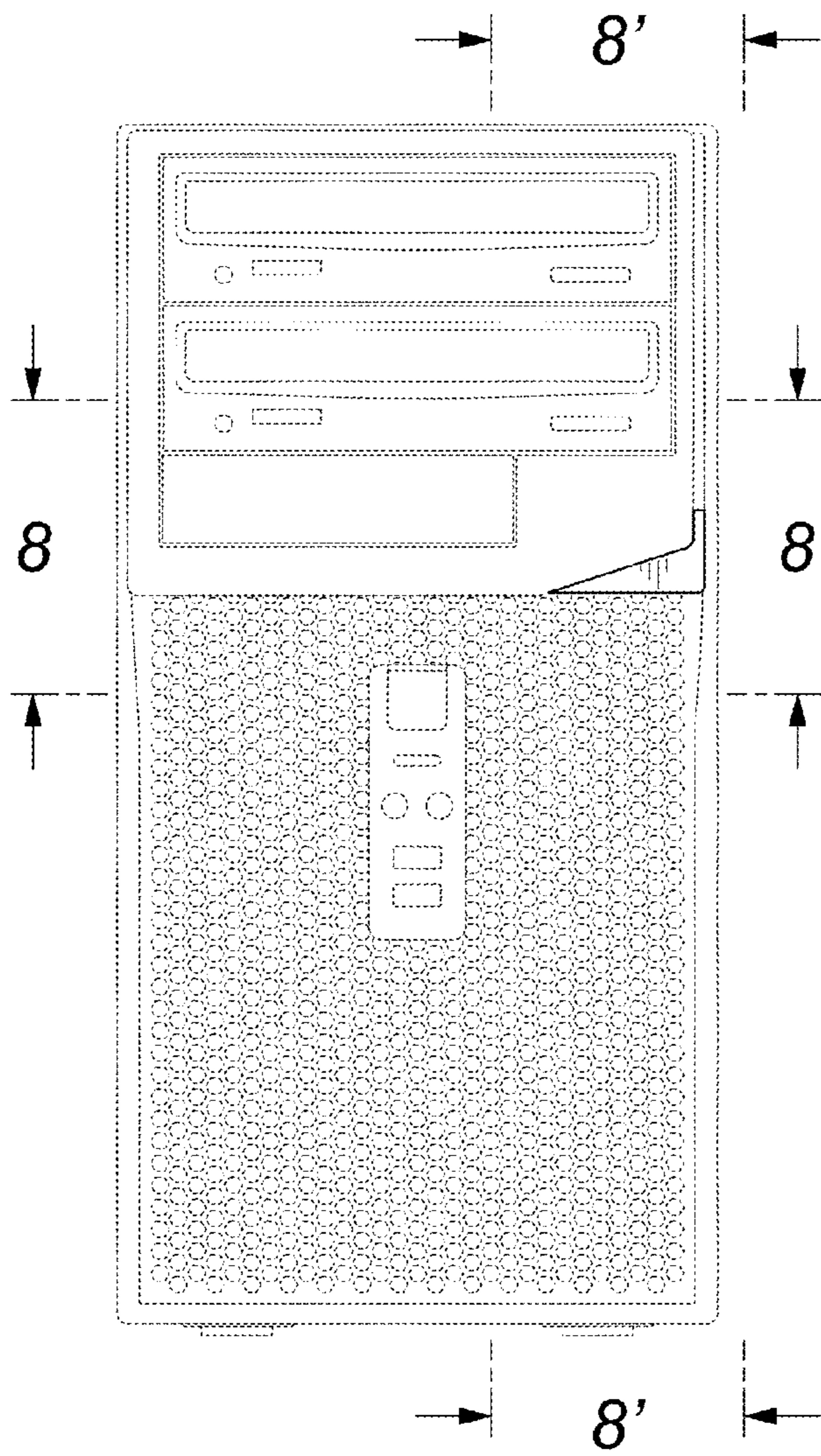


FIG. 2

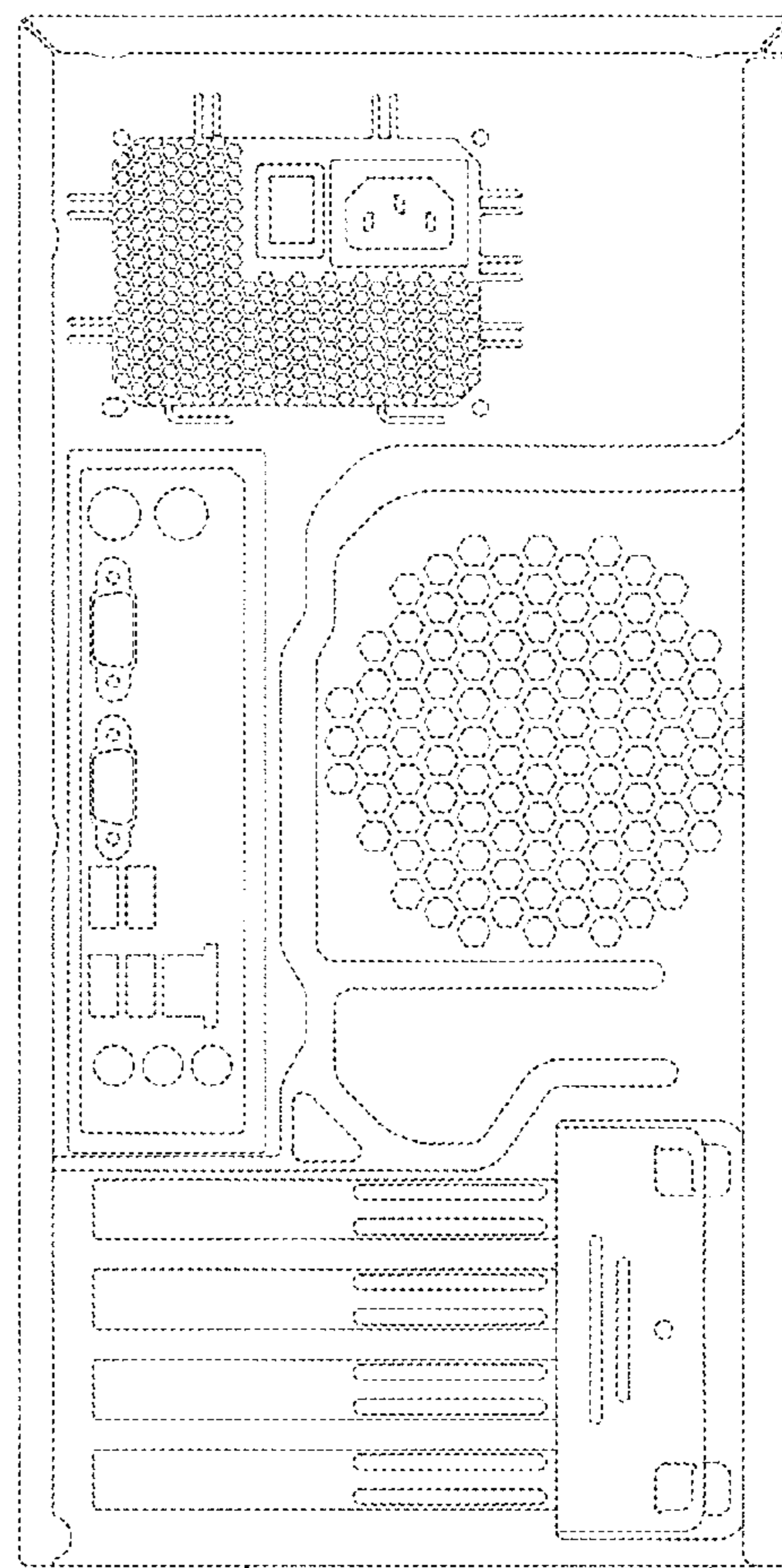
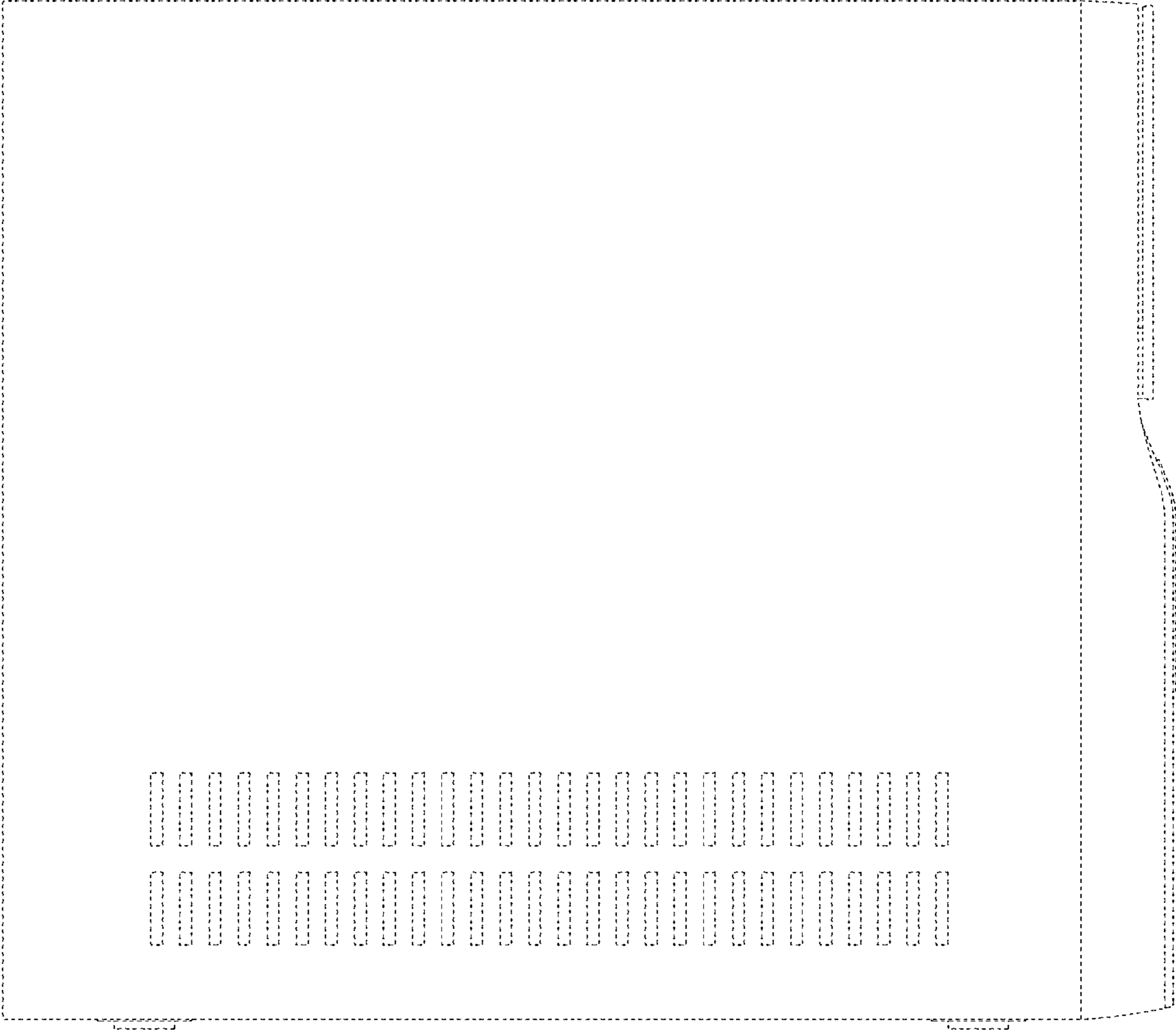


FIG. 3





**FIG. 4**

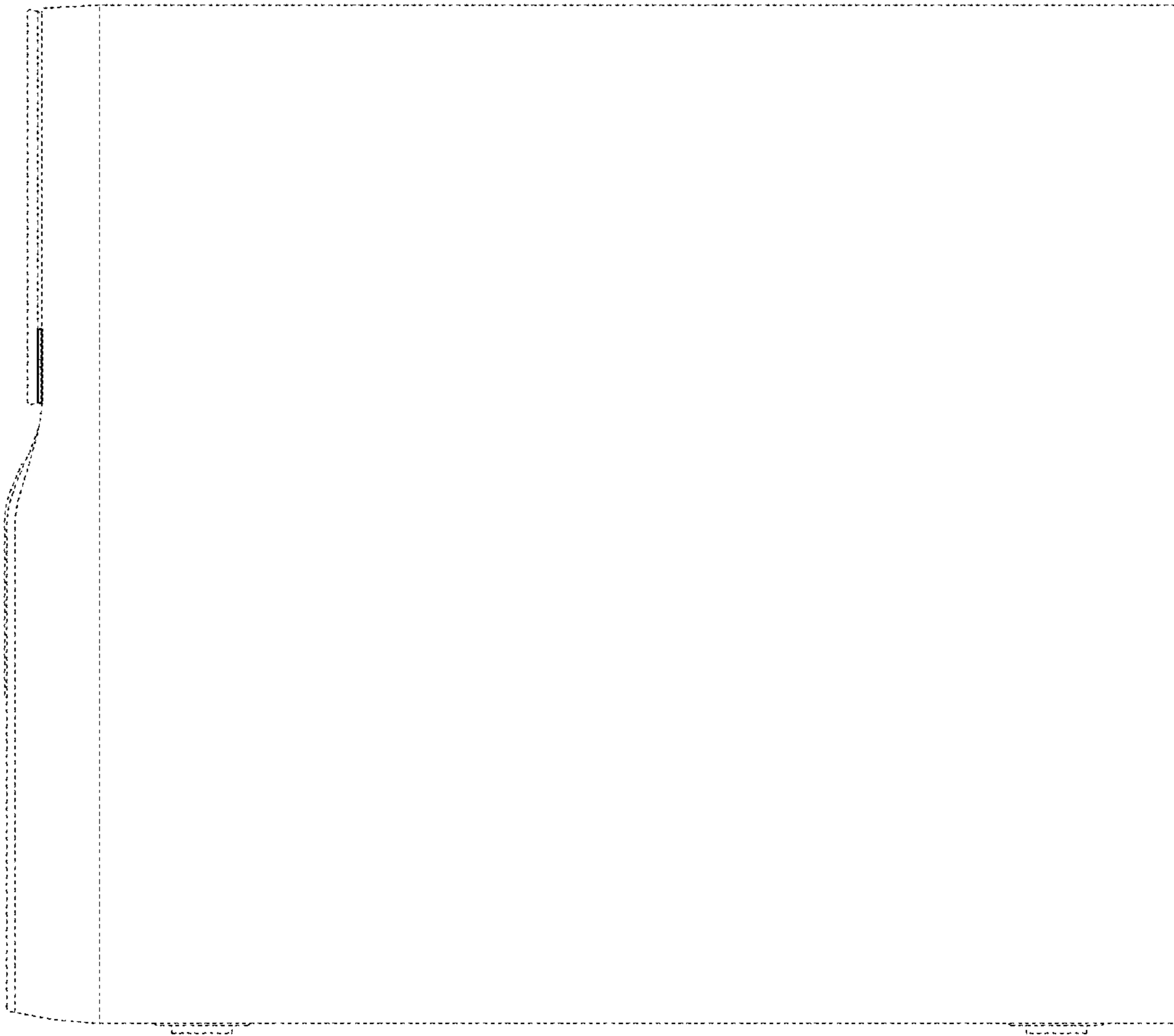


FIG. 5



FIG. 6

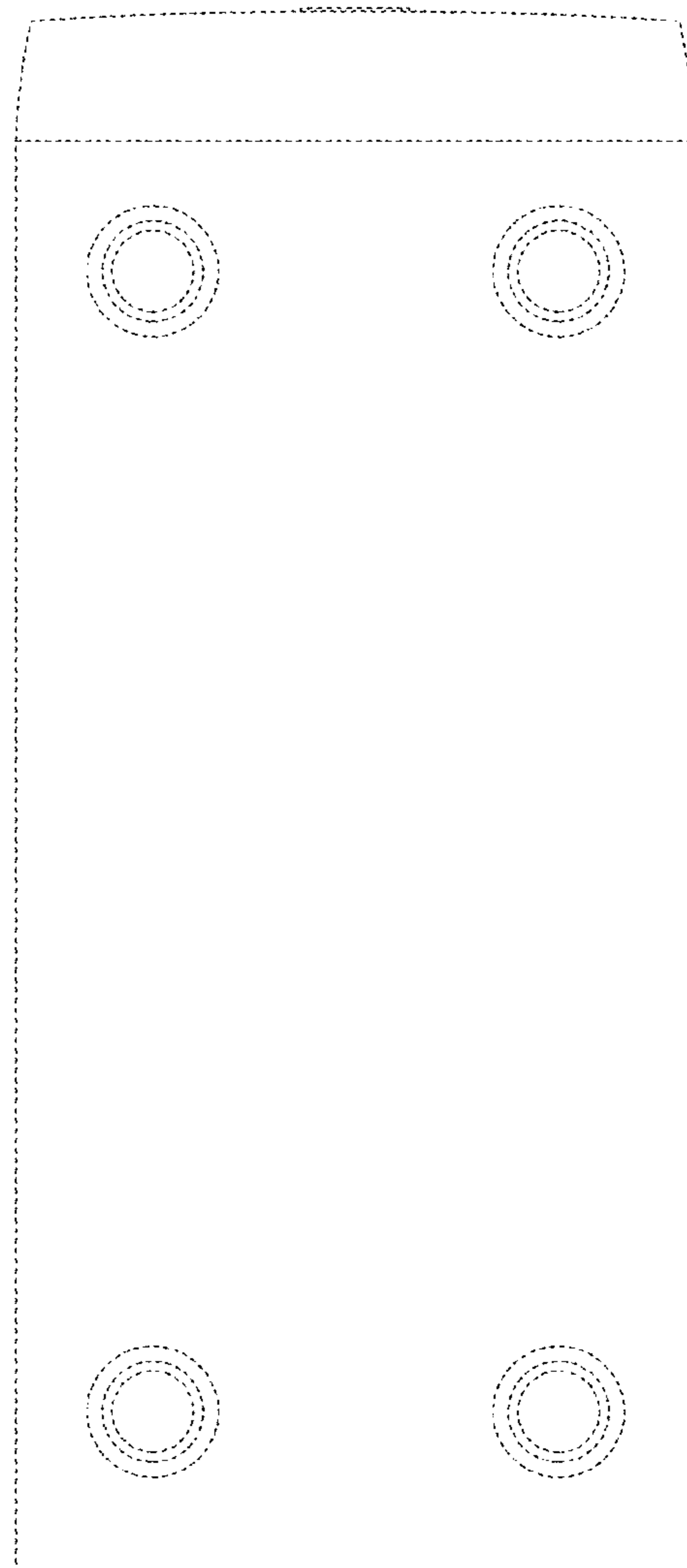


FIG. 7

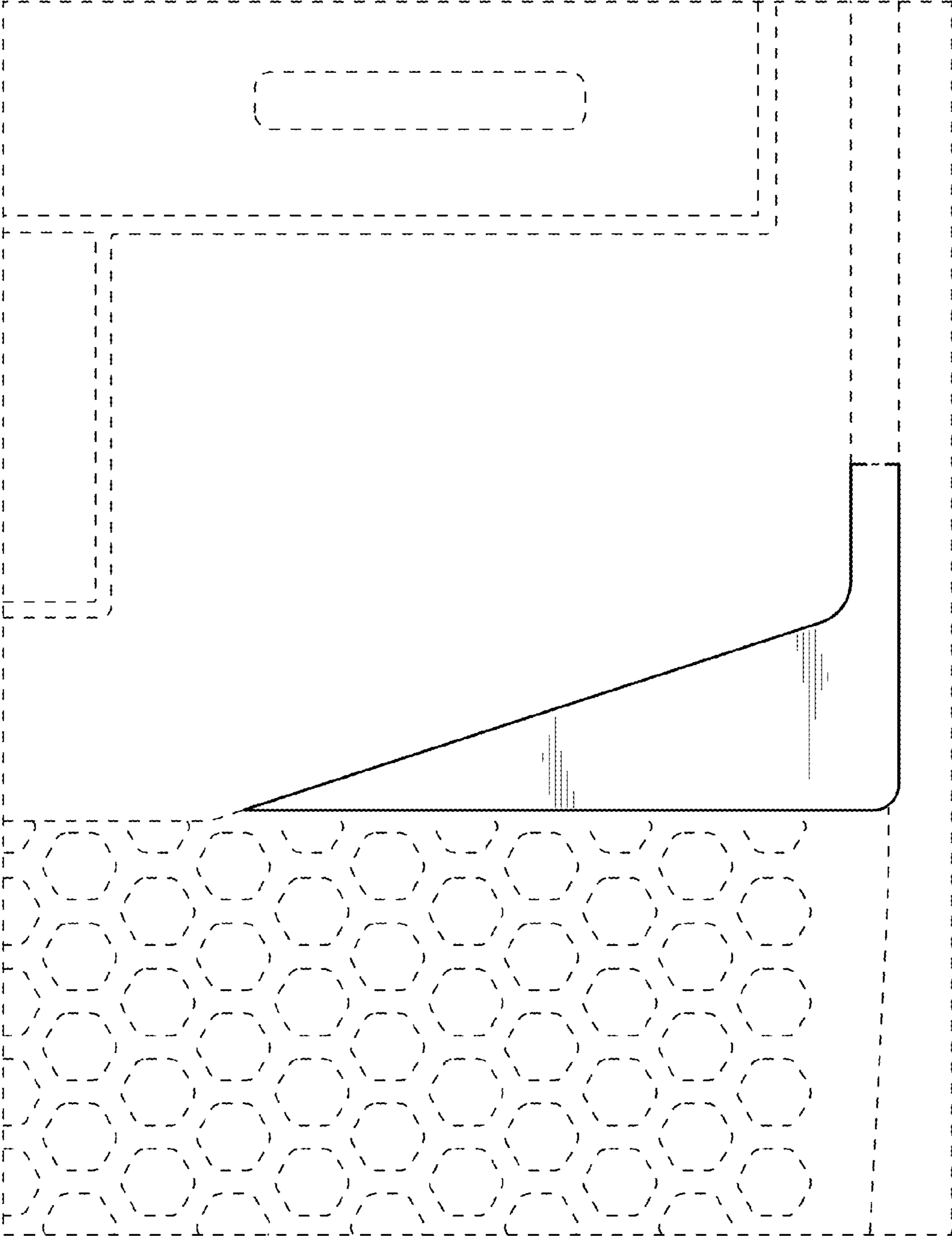


FIG. 8