



US00D715291S

(12) **United States Design Patent**
Cacioppo et al.

(10) **Patent No.:** **US D715,291 S**

(45) **Date of Patent:** **** Oct. 14, 2014**

(54) **HANDHELD TABLET**

(71) Applicant: **Sanford, L.P.**, Oak Brook, IL (US)

(72) Inventors: **Christopher M. Cacioppo**, Somerville, MA (US); **Manuel Perez**, Somerville, MA (US); **Hector Padilla**, Chelsea, MA (US); **Timothy Higgins**, Allston, MA (US); **Louis Frank Genatossio**, Shrewsbury, MA (US)

(73) Assignee: **Mimio, LLC**, Cambridge, MA (US)

(**) Term: **14 Years**

(21) Appl. No.: **29/443,726**

(22) Filed: **Jan. 22, 2013**

(51) **LOC (10) Cl.** **14-02**

(52) **U.S. Cl.**
USPC **D14/341**

(58) **Field of Classification Search**
USPC D14/341-347, 137, 138 R, 138 AA, D14/138 C, 138 G, 496, 203.1, 203.3, 203.4, D14/203.7, 129, 130, 147, 218, 248, 389, D14/388, 426, 420; D10/65, 104.1; D18/6-7; D21/324, 329, 330; 455/556.1, 556.2, 566, 575.1, 90.3; 379/433.04, 433.01, 433.06, 916; 345/173, 901, 905; 361/679.26, 679.3, 361/679.55, 679.56

See application file for complete search history.

(56) **References Cited**

U.S. PATENT DOCUMENTS

D313,409 S * 1/1991 Chowdhree et al. D14/389
D589,961 S * 4/2009 Hackenberg et al. D14/388
D598,015 S * 8/2009 Busri D14/341
D601,560 S * 10/2009 Matsumoto et al. D14/346

D616,436 S * 5/2010 Busri D14/341
D634,743 S * 3/2011 Kang et al. D14/341
D638,014 S * 5/2011 Chong et al. D14/383
D638,015 S * 5/2011 Chong et al. D14/383
D698,781 S * 2/2014 Jun et al. D14/341

* cited by examiner

Primary Examiner — Barbara Fox

(74) *Attorney, Agent, or Firm* — Marshall, Gerstein & Borun LLP

(57) **CLAIM**

The ornamental design for a “handheld tablet,” as shown and described.

DESCRIPTION

FIG. 1. is a front and right side perspective view of a handheld tablet showing our new design, showing the front, right and top sides;

FIG. 2 is a back and right side perspective view of the handheld tablet shown in FIG. 1;

FIG. 3 is a front plan view of the handheld tablet shown in FIG. 1;

FIG. 4 is a back plan view of the handheld tablet shown in FIG. 1;

FIG. 5 is a bottom side elevational view of the handheld tablet shown in FIG. 1;

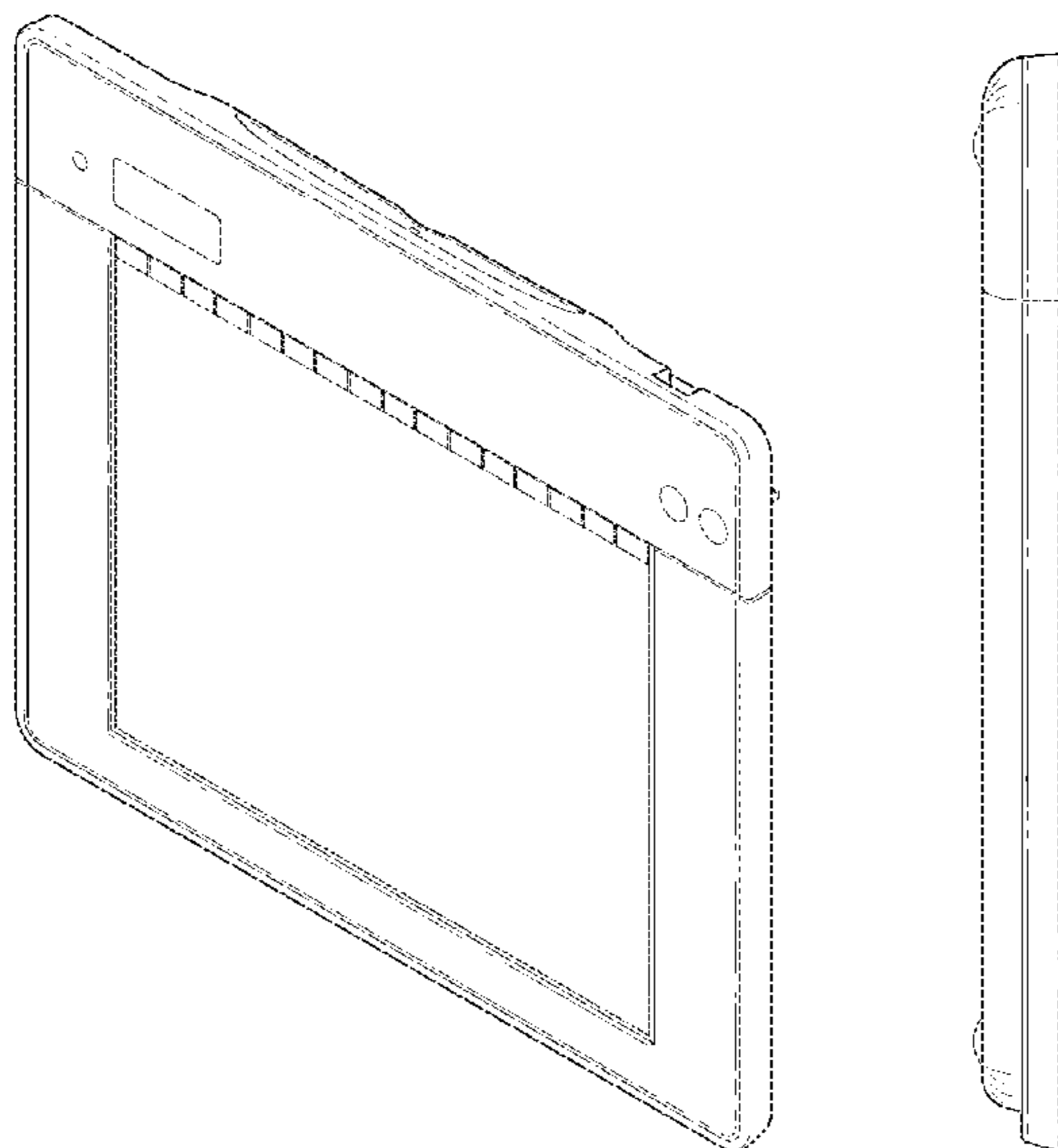
FIG. 6 is a top side elevational view of the handheld tablet shown in FIG. 1;

FIG. 7 is a right side elevational view of the handheld tablet shown in FIG. 1; and,

FIG. 8 is a left side elevational view of the handheld tablet shown in FIG. 1.

The broken lines immediately adjacent the claimed areas represent the bounds of the claimed design while all other broken lines are directed to environment and are for illustrative purposes only; the broken lines form no part of the claimed design.

1 Claim, 8 Drawing Sheets



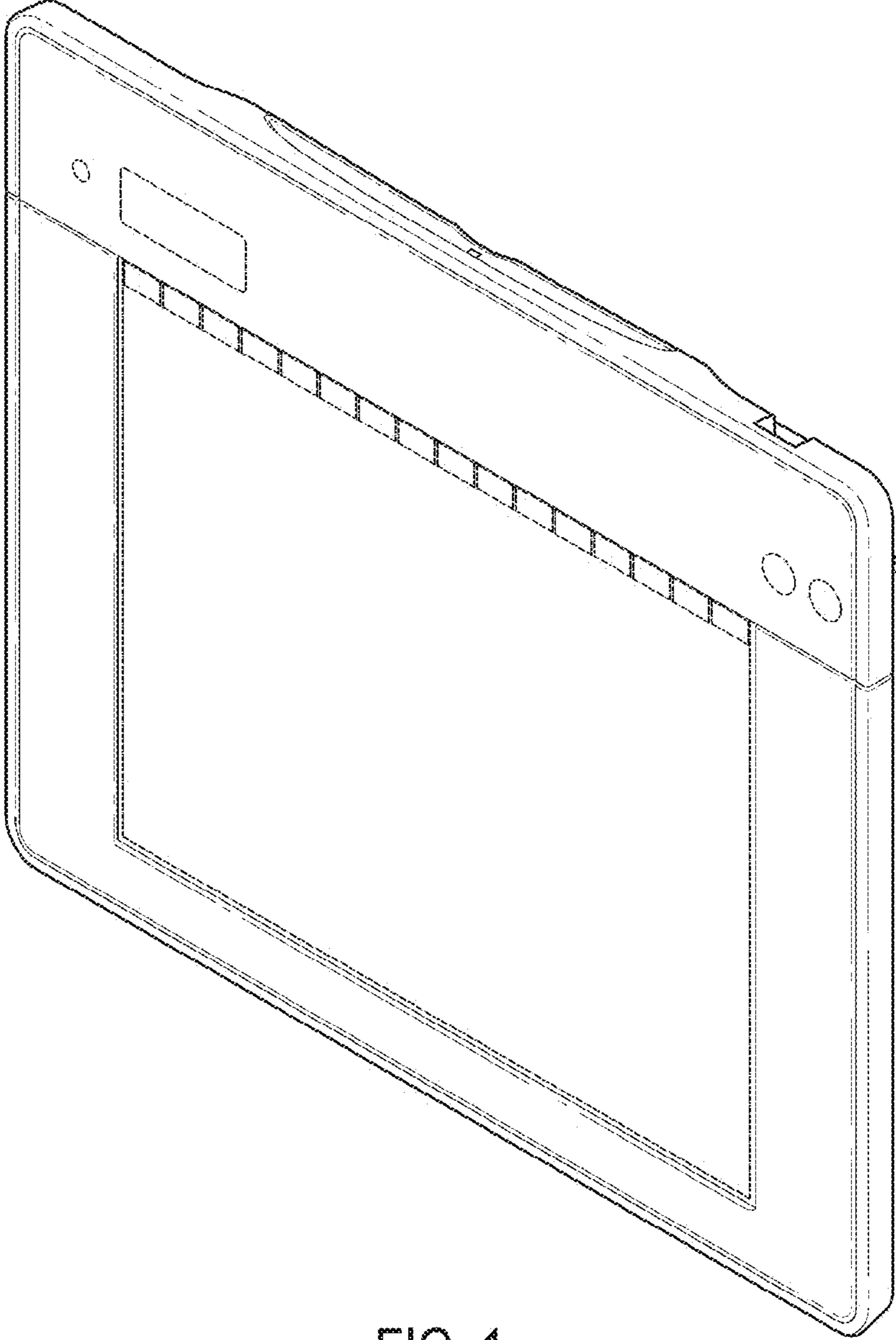


FIG. 1

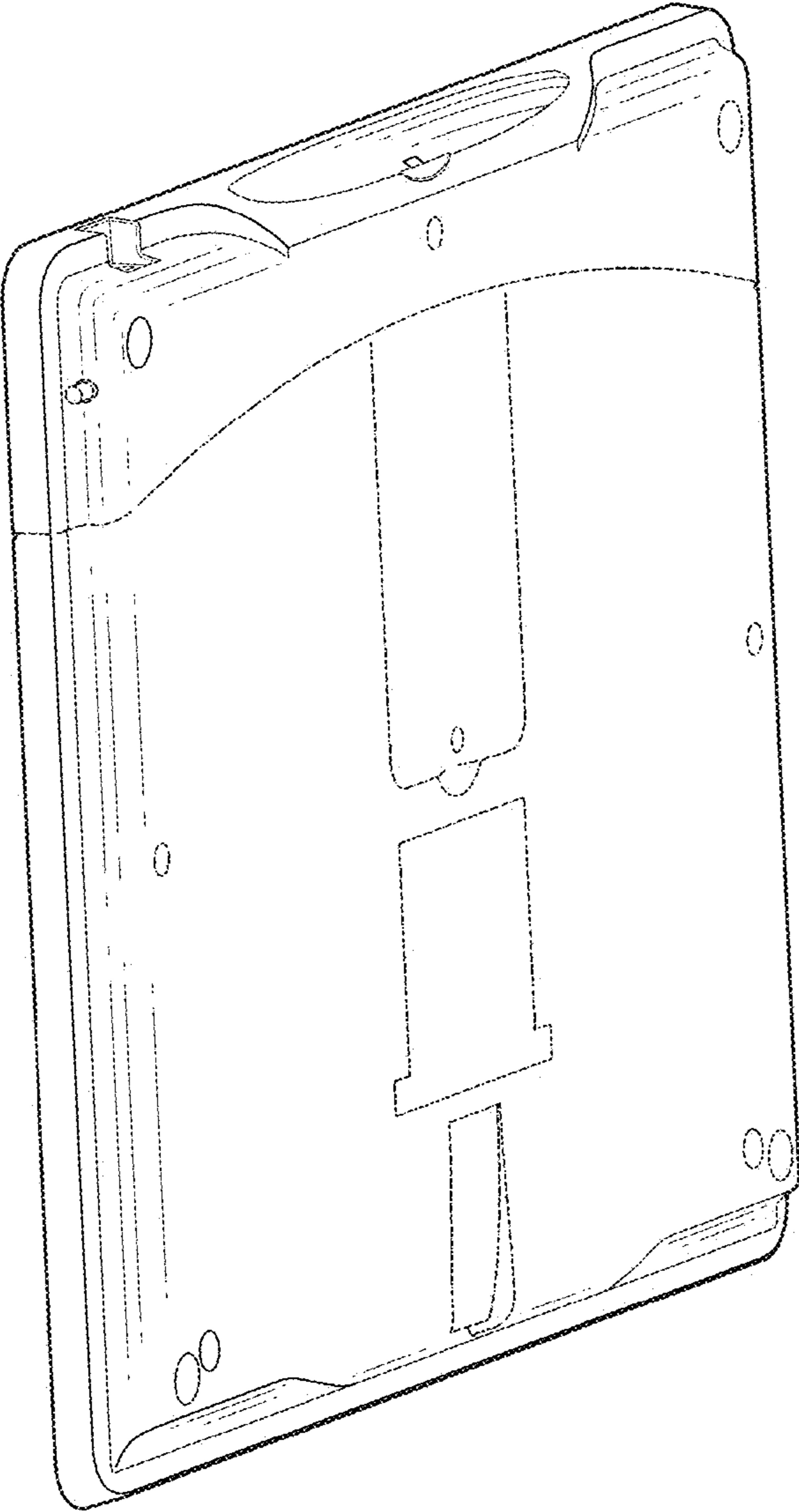


FIG. 2

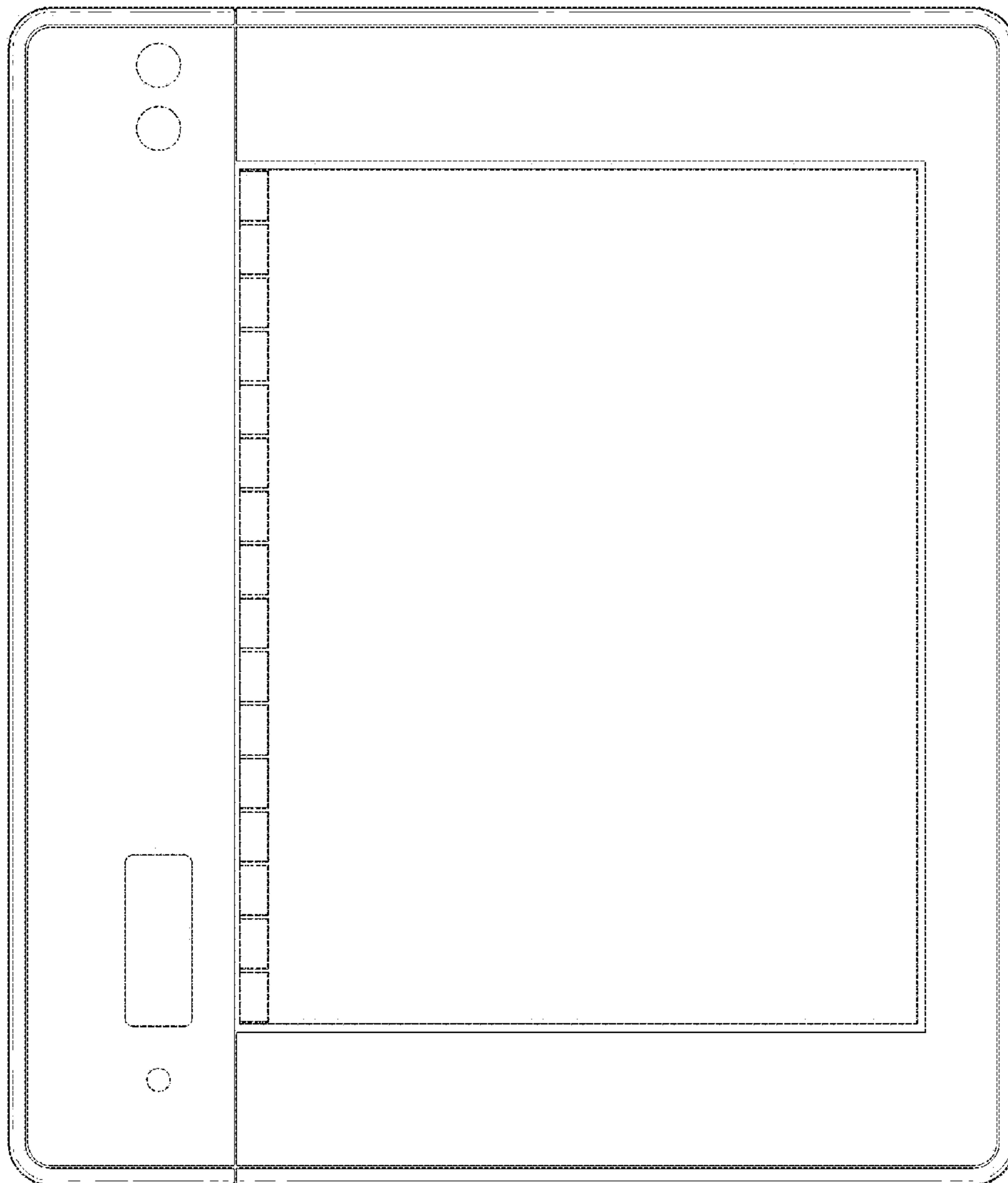


FIG. 3

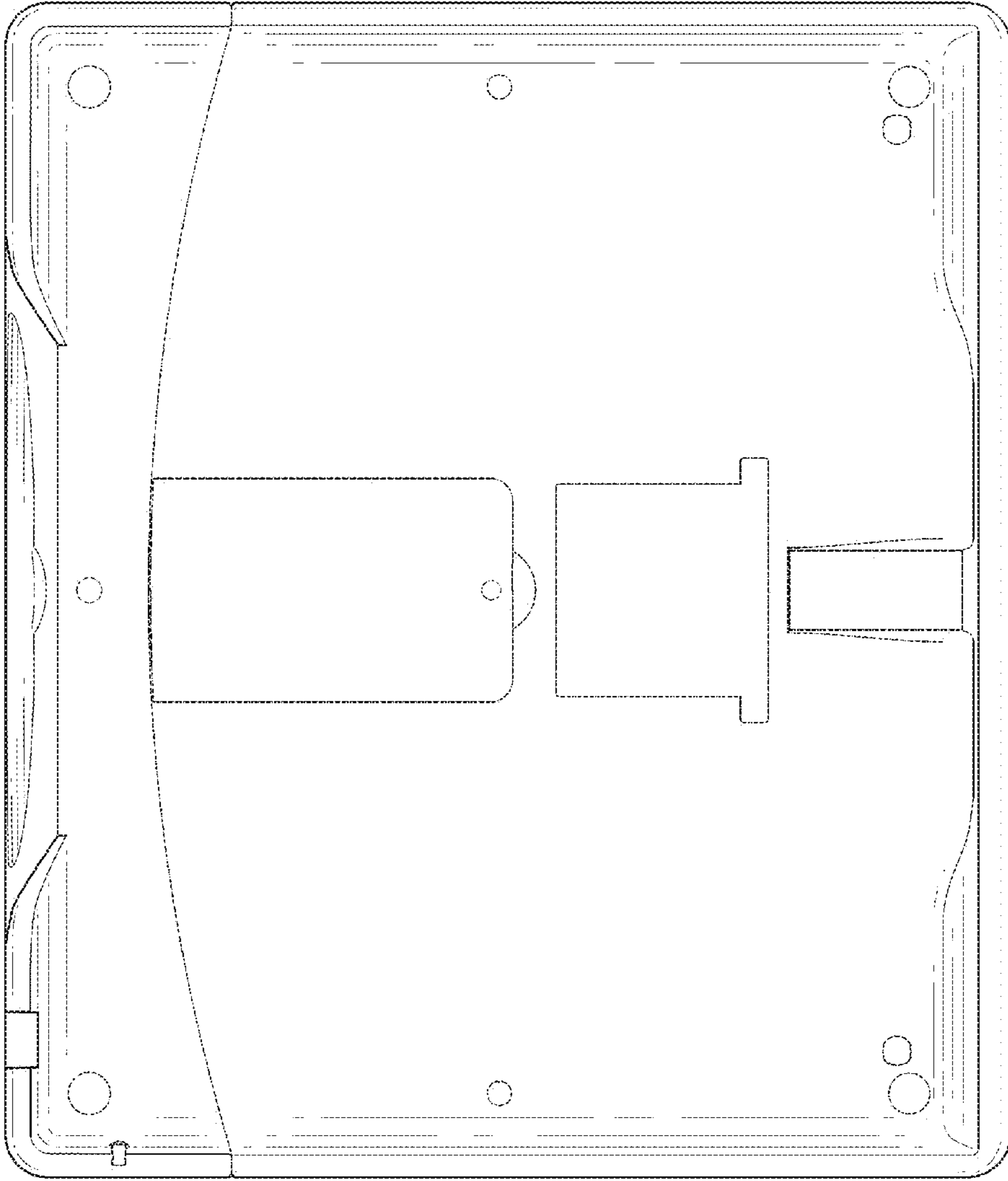


FIG. 4

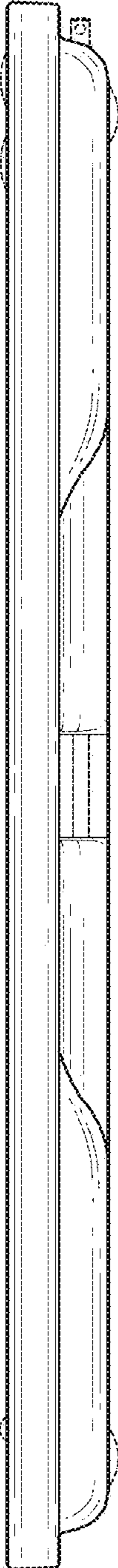


FIG. 5

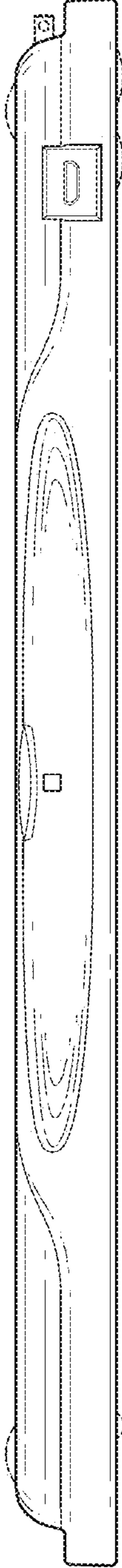


FIG. 6

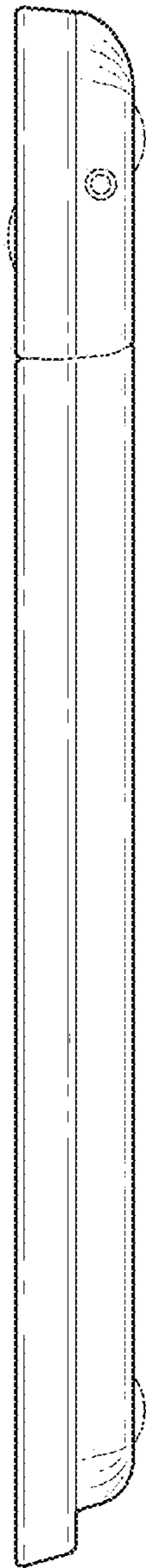


FIG. 7

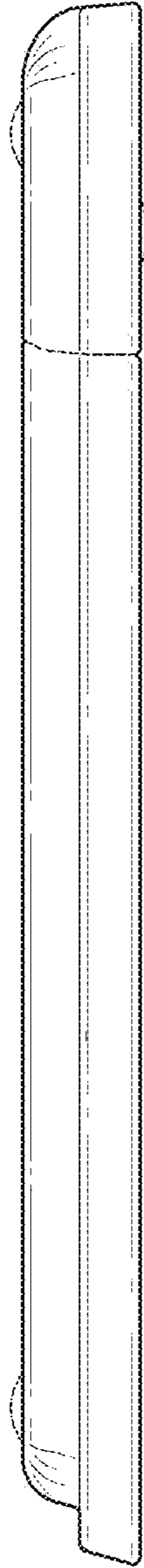


FIG. 8