



US00D715290S

(12) **United States Design Patent**
Bryan et al.

(10) **Patent No.:** **US D715,290 S**
(45) **Date of Patent:** **** Oct. 14, 2014**

(54) **HOUSING FOR A TABLET COMPUTING DEVICE**

(75) Inventors: **Philip Bryan**, Menlo Park, CA (US);
Richard Gioscia, Santa Clara, CA (US);
Seunghoon Lee, Milpitas, CA (US)

(73) Assignee: **Hewlett-Packard Development Company, L.P.**, Houston, TX (US)

(**) Term: **14 Years**

(21) Appl. No.: **29/428,480**

(22) Filed: **Jul. 31, 2012**

(51) **LOC (10) Cl.** **14-02**

(52) **U.S. Cl.**
USPC **D14/341**

(58) **Field of Classification Search**
USPC D14/341-347, 137, 138 R, 138 AA,
D14/138 C, 138 G, 496, 203.1, 203.3, 203.4,
D14/203.7, 129, 130, 147, 218, 248, 389,
D14/388, 426, 420; D10/65, 104.1;
D18/6-7; D21/324, 329, 330;
455/556.1, 556.2, 566, 575.1, 90.3;
379/433.04, 433.01, 433.06, 916;
345/173, 901, 905; 361/679.26, 679.3,
361/679.55, 679.56

See application file for complete search history.

(56) **References Cited**

U.S. PATENT DOCUMENTS

D284,084 S *	6/1986	Ferrara, Jr.	D14/389
D408,416 S *	4/1999	Fenner et al.	D14/239
D463,499 S *	9/2002	Marcos	D20/10
D558,460 S *	1/2008	Yu et al.	D6/308
D558,736 S *	1/2008	Kita	D14/214
D566,066 S *	4/2008	Wang	D14/126
D584,305 S *	1/2009	Rothman	D14/346
D585,888 S *	2/2009	Watson et al.	D14/341
D588,562 S *	3/2009	Yamaguchi	D14/126
D593,553 S *	6/2009	Okamoto et al.	D14/341

D597,974 S *	8/2009	Iseki	D14/126
D600,455 S *	9/2009	Nell	D6/308
D606,071 S *	12/2009	Wu et al.	D14/336
D615,527 S *	5/2010	Hwang	D14/203.8
D638,014 S *	5/2011	Chong et al.	D14/383
D638,015 S *	5/2011	Chong et al.	D14/383
D638,836 S *	5/2011	Daniel	D14/341
D645,465 S *	9/2011	Lin et al.	D14/341
D655,684 S *	3/2012	Kim et al.	D14/126
D661,123 S *	6/2012	Curbbun et al.	D6/396
D664,955 S *	8/2012	Kim et al.	D14/341

(Continued)

Primary Examiner — Barbara Fox

(57) **CLAIM**

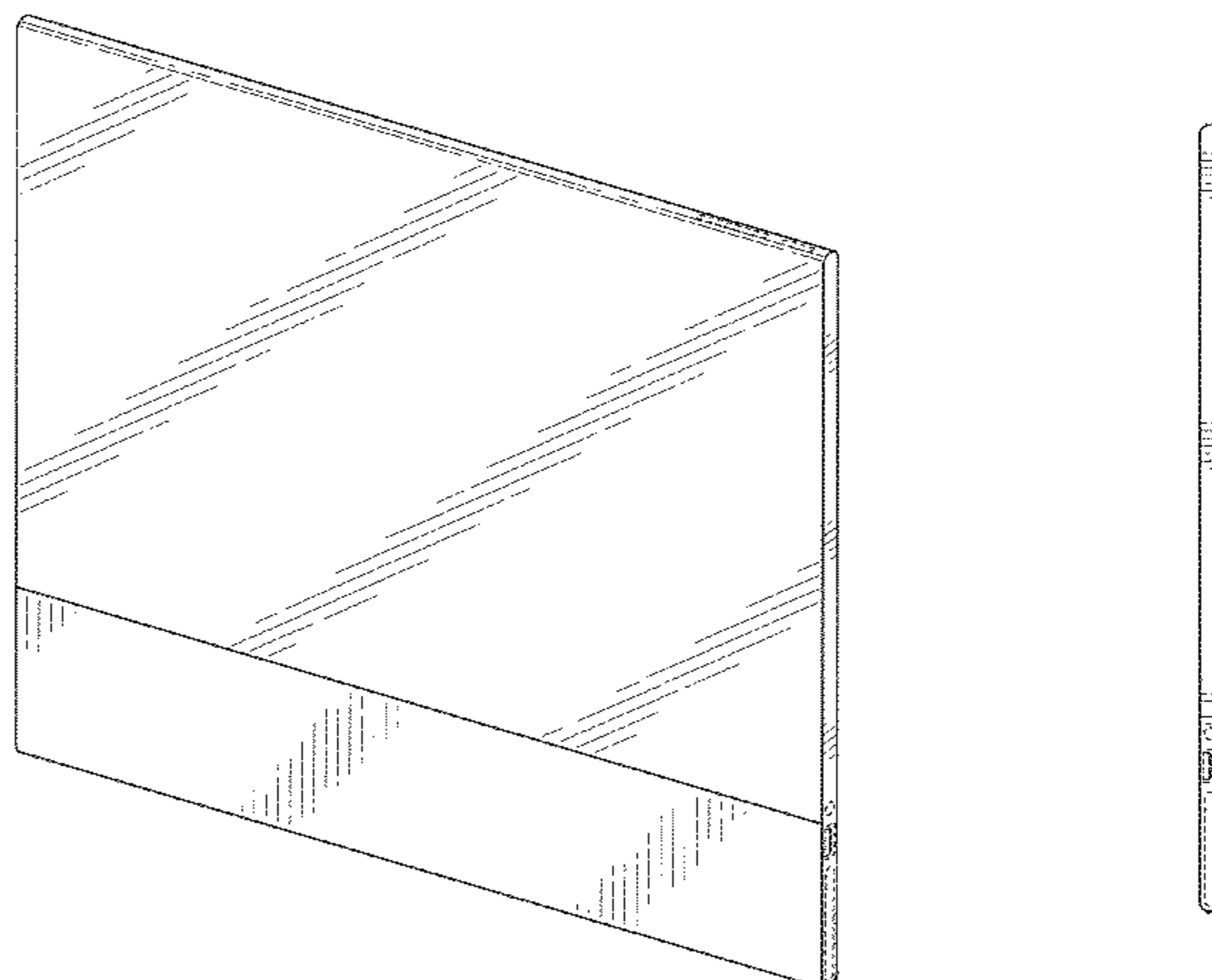
The ornamental design for a housing for a tablet computing device, as shown and described.

DESCRIPTION

FIG. 1 is a front perspective view of a housing for a tablet computing device, under a first embodiment;
 FIG. 2 is a front view of the housing of FIG. 1, under the first embodiment;
 FIG. 3 is a back view of the housing of FIG. 1, under the first embodiment;
 FIG. 4 is a first side view of the housing of FIG. 1, under the first embodiment;
 FIG. 5 is a second side view of the housing of FIG. 1, under the first embodiment;
 FIG. 6 is a top view of the housing of FIG. 1, under the first embodiment;
 FIG. 7 is a bottom view of the housing of FIG. 1, under the first embodiment;
 FIG. 8 is a front perspective view of a variation of the housing of FIG. 1, under the first embodiment; and,
 FIG. 9 is a front view of the variation of the housing of FIG. 8, under the first embodiment.

The broken lines shown in the drawings are for the purpose of illustrating portions of the housing for a mobile computing device, such as surface features, and form no part of the claimed design.

1 Claim, 7 Drawing Sheets



US D715,290 S

Page 2

(56)

References Cited

D678,877 S * 3/2013 Groene et al. D14/341
D680,110 S * 4/2013 Rossiter et al. D14/341

U.S. PATENT DOCUMENTS

D675,614 S * 2/2013 Feng et al. D14/341 * cited by examiner

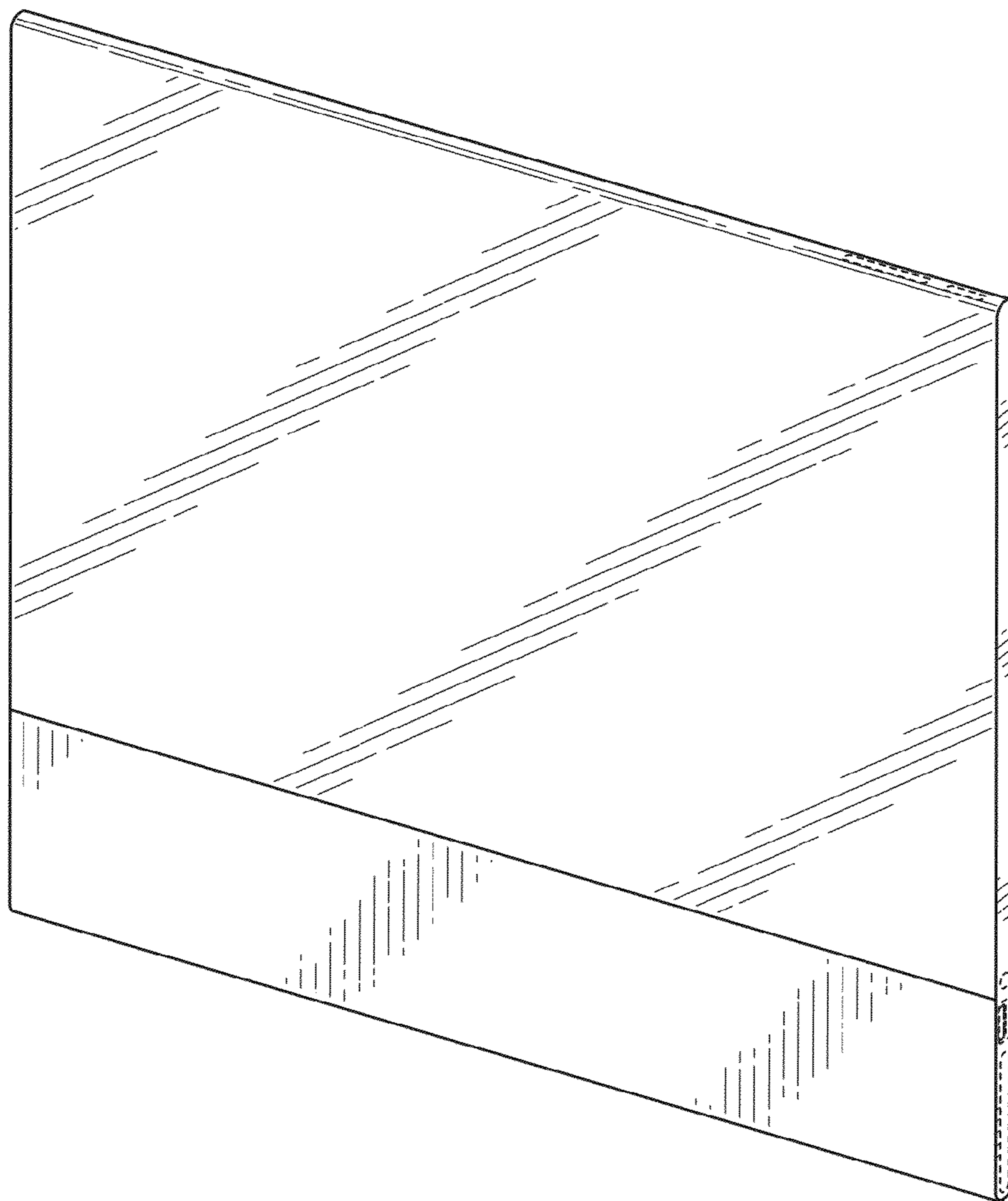


FIG. 1

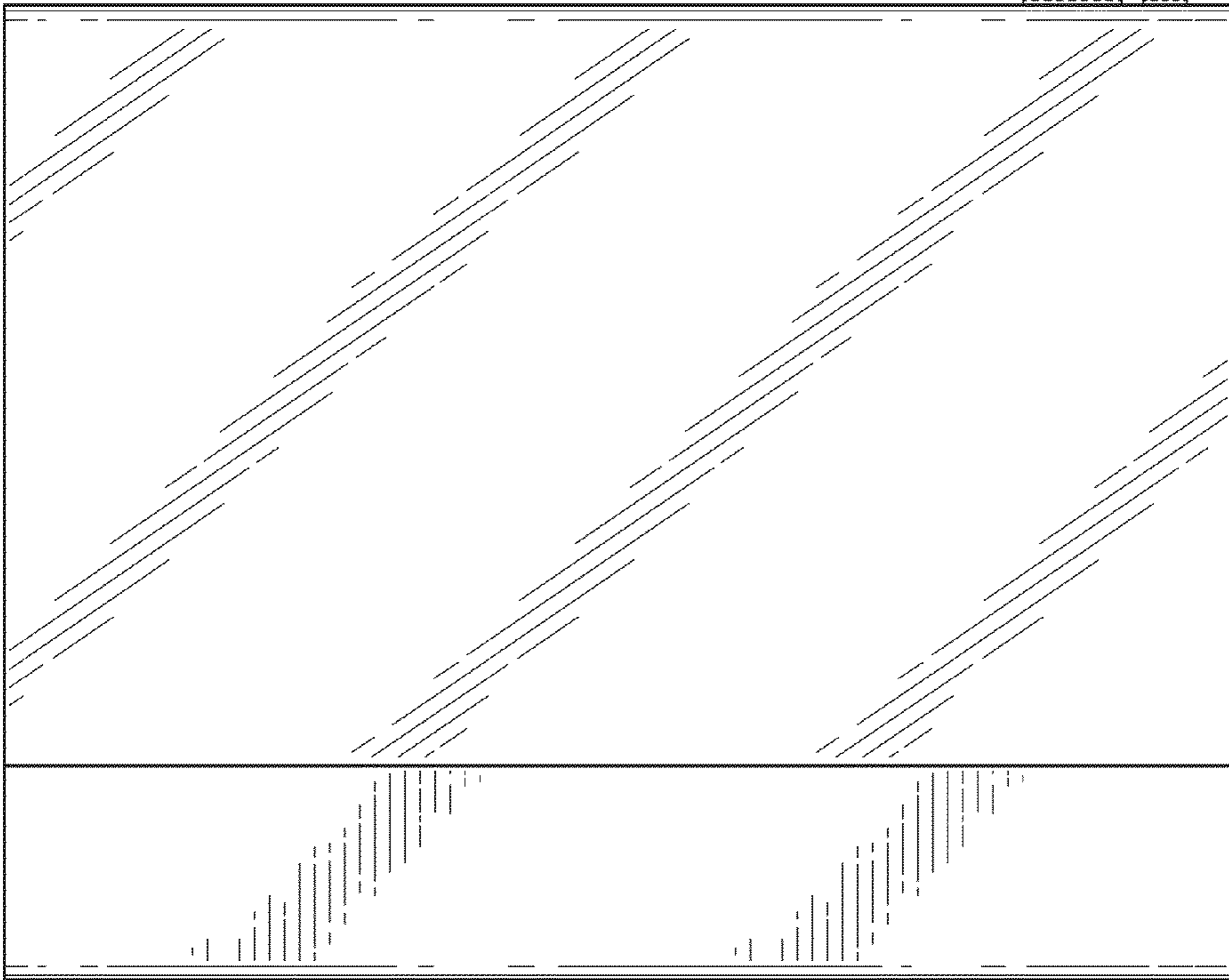


FIG. 2

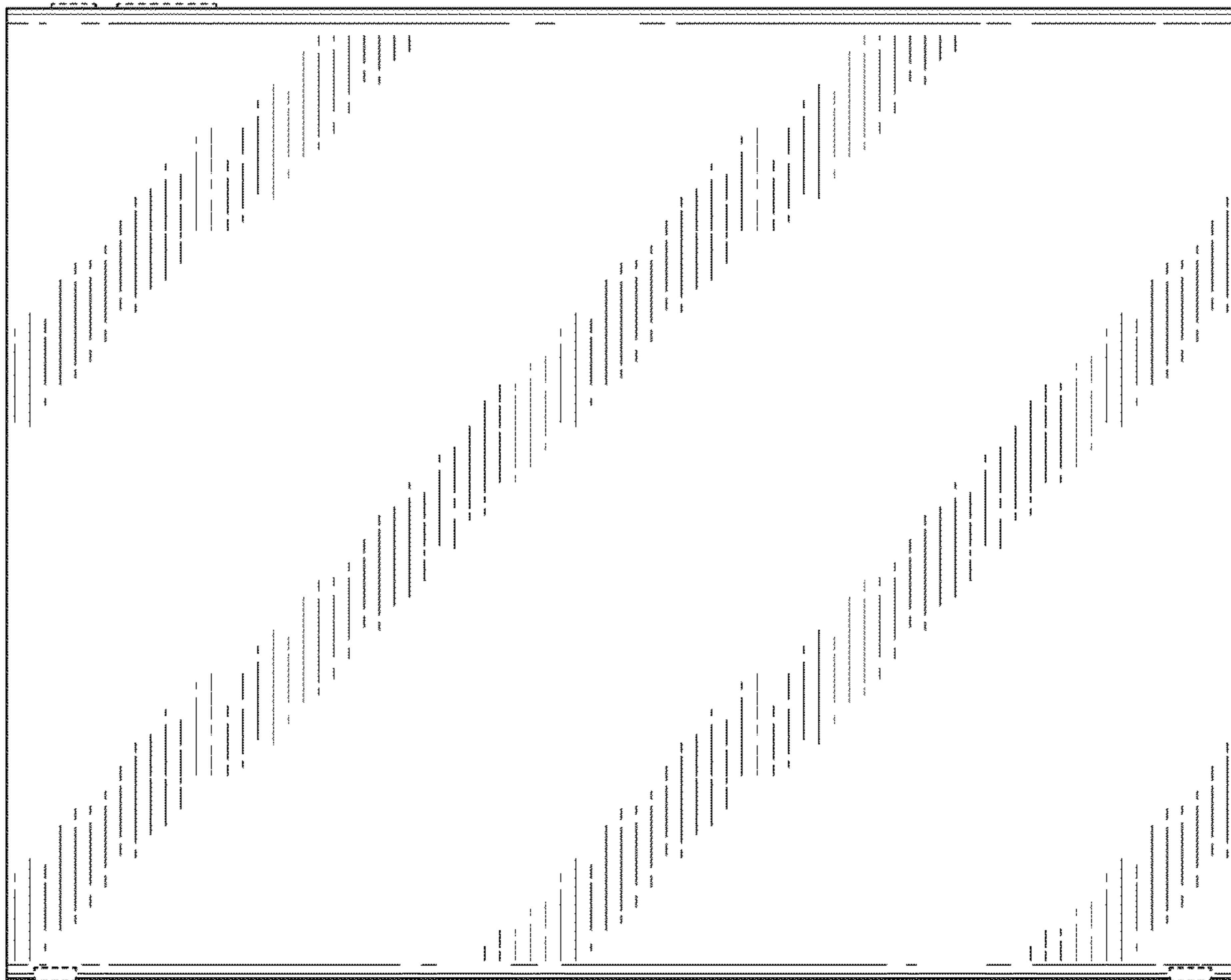


FIG. 3



FIG. 4



FIG. 5



FIG. 6



FIG. 7

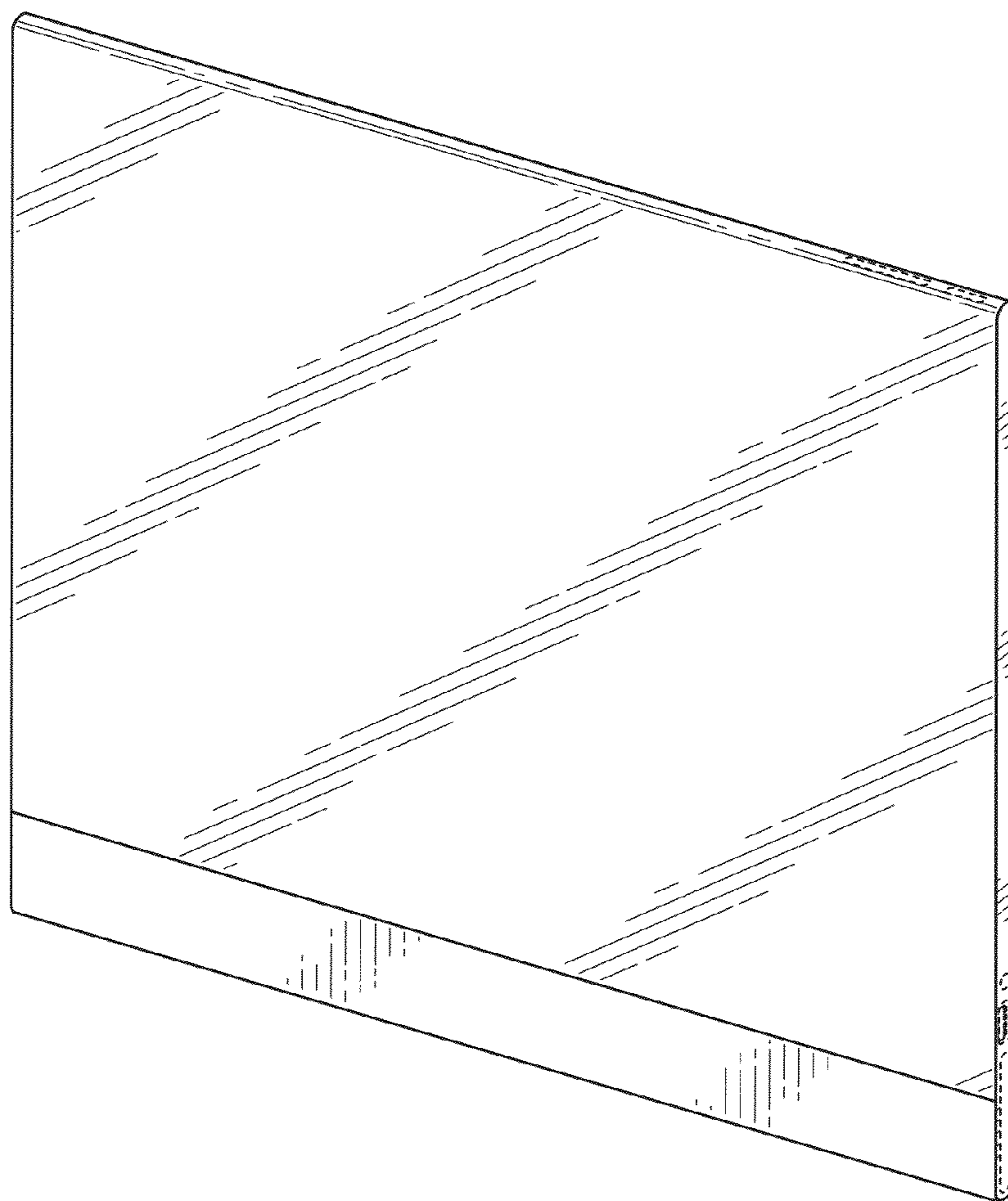


FIG. 8

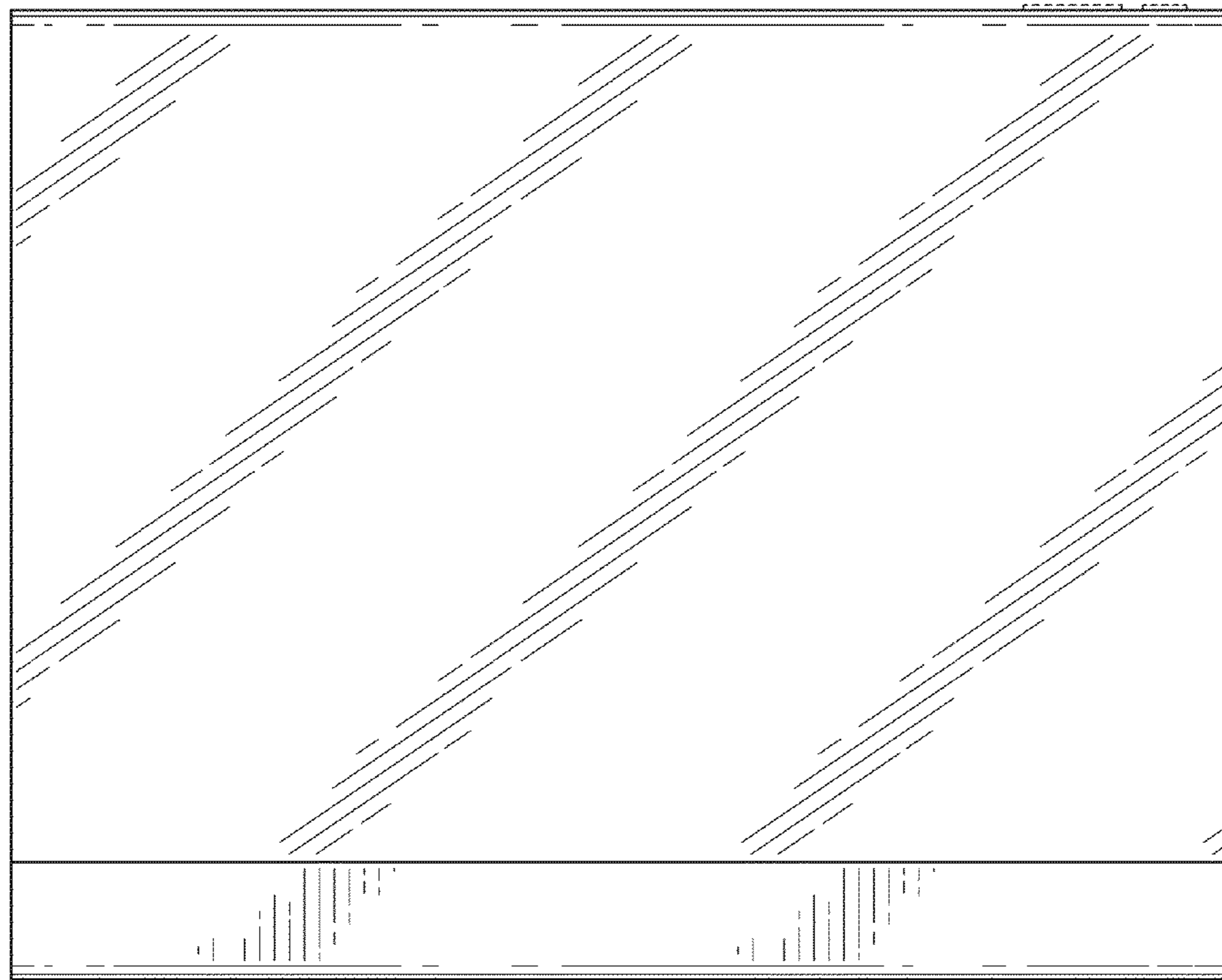


FIG. 9