



US00D715289S

(12) **United States Design Patent**
Heck et al.

(10) **Patent No.:** **US D715,289 S**
(45) **Date of Patent:** **** Oct. 14, 2014**

(54) **PORTABLE COMPUTER**

(56) **References Cited**

(71) Applicant: **Samsung Electronics Co., Ltd.**,
Suwon-si (KR)
(72) Inventors: **Felix Heck**, Munich (DE); **Sang-Won Yoon**, Seoul (KR); **Yeo-Wan Yun**,
Seongnam-si (KR); **Dong-Seok Lee**,
Seoul (KR)

U.S. PATENT DOCUMENTS

D491,177 S * 6/2004 Andre et al. D14/318
D624,911 S * 10/2010 Lee et al. D14/315
2005/0018396 A1 * 1/2005 Nakajima et al. 361/683
2005/0041378 A1 * 2/2005 Hamada et al. 361/680
2008/0304688 A1 * 12/2008 Kumar 381/370

* cited by examiner

(73) Assignee: **Samsung Electronics Co., Ltd.** (KR)

Primary Examiner — Freda S Nunn

(**) Term: **14 Years**

(74) *Attorney, Agent, or Firm* — Cantor Colburn LLP

(21) Appl. No.: **29/469,153**

(57) **CLAIM**

The ornamental design for a portable computer, as shown and described.

(22) Filed: **Oct. 8, 2013**

DESCRIPTION

(30) **Foreign Application Priority Data**

Apr. 8, 2013 (KR) 30-2013-0017996

(51) **LOC (10) Cl.** **14-02**

(52) **U.S. Cl.**
USPC **D14/327**

(58) **Field of Classification Search**
USPC D14/315-327, 331; D18/1, 2, 7, 11;
235/145 A, 145 R; 341/22, 23; 345/104,
345/156, 168, 169, 173; 361/679.08,
361/679.09, 679.11, 679.26, 679.27;
379/433.12; 16/341, 367

FIG. 1 is a top front perspective view of a portable computer showing our new design;
FIG. 2 is a front view thereof;
FIG. 3 is a rear view thereof;
FIG. 4 is a side view thereof;
FIG. 5 is another side view thereof;
FIG. 6 is a top view thereof;
FIG. 7 is a bottom view thereof; and,
FIG. 8 is another side view thereof, with the portable computer shown in an open position.
The broken lines illustrating portions of the portable computer are for environmental purposes only and form no part of the claimed design.

See application file for complete search history.

1 Claim, 4 Drawing Sheets

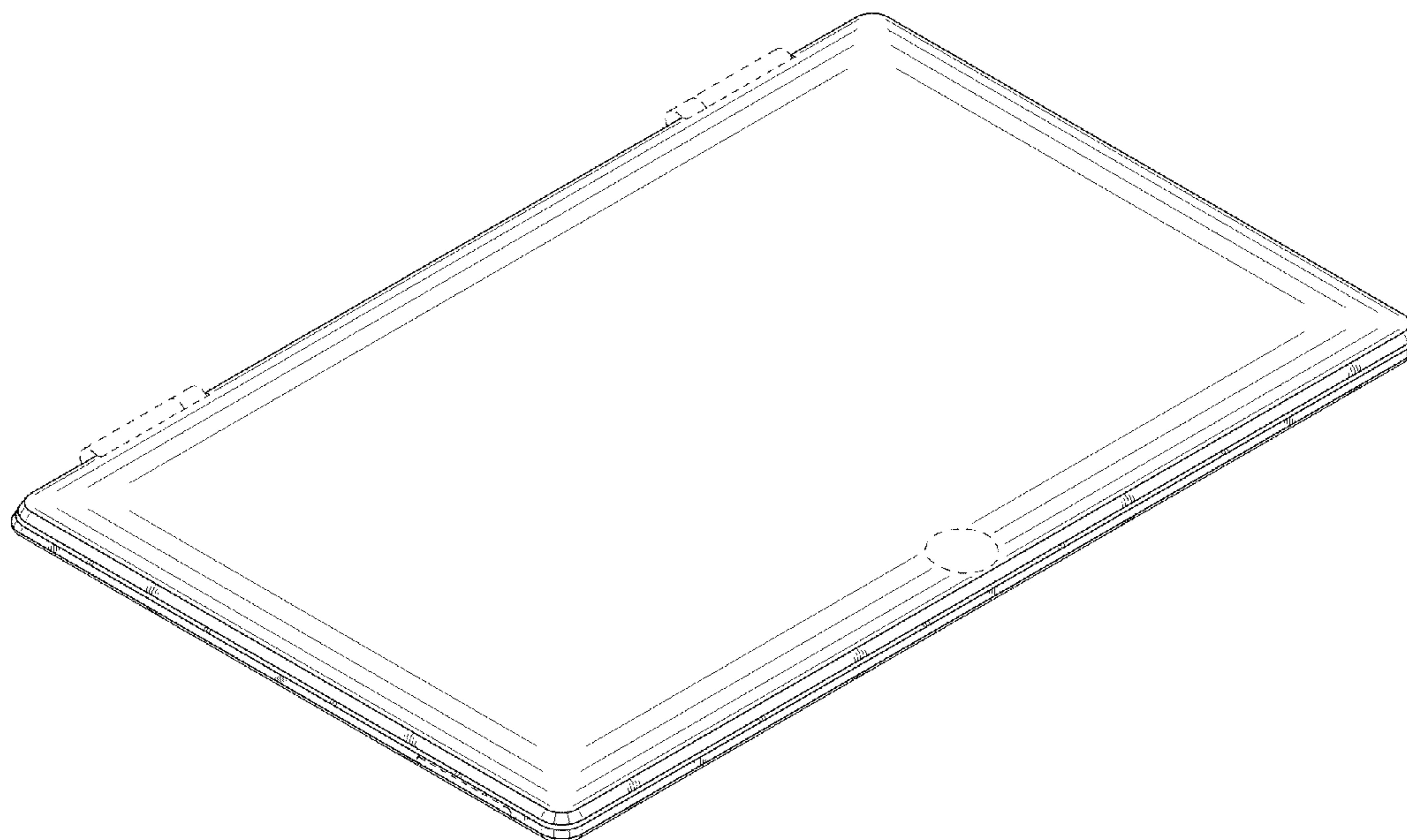


FIG.1

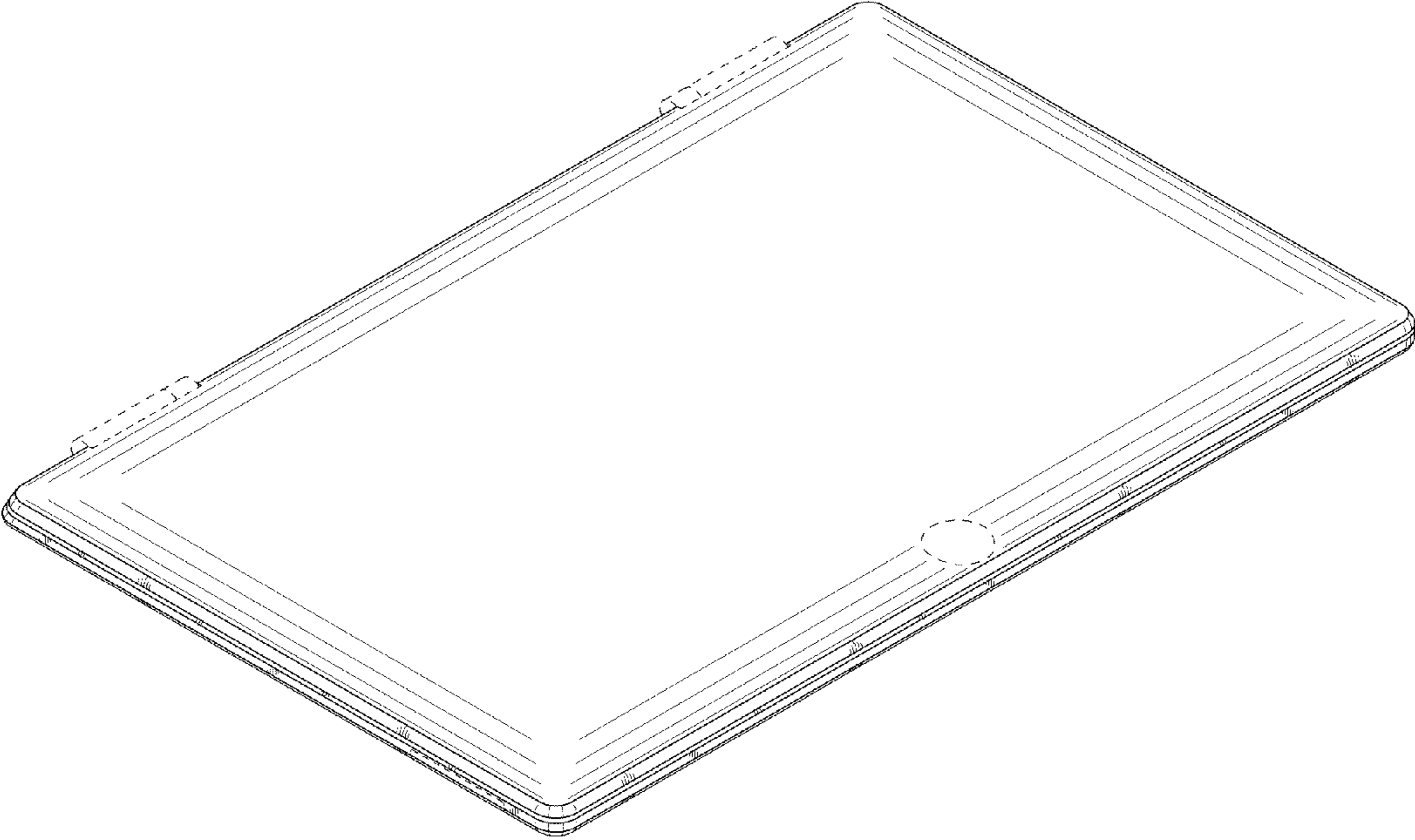


FIG.2

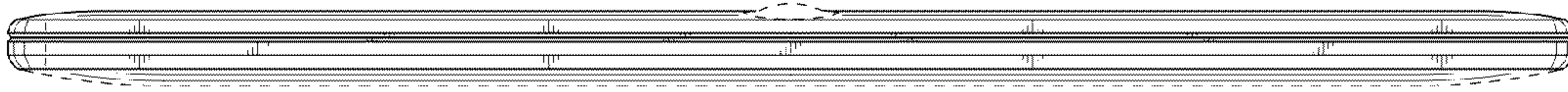


FIG.3

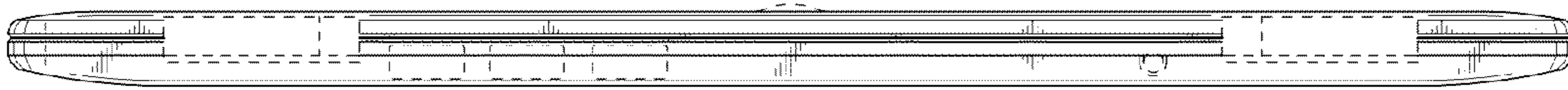


FIG.4

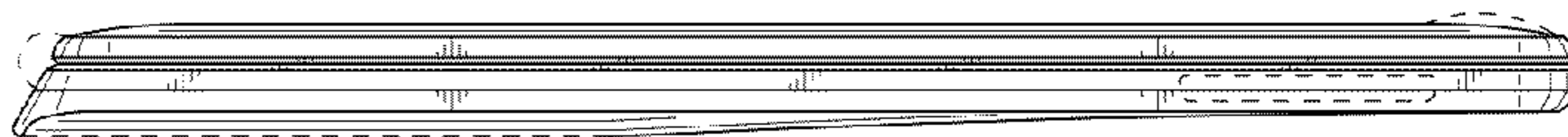


FIG.5



FIG.6

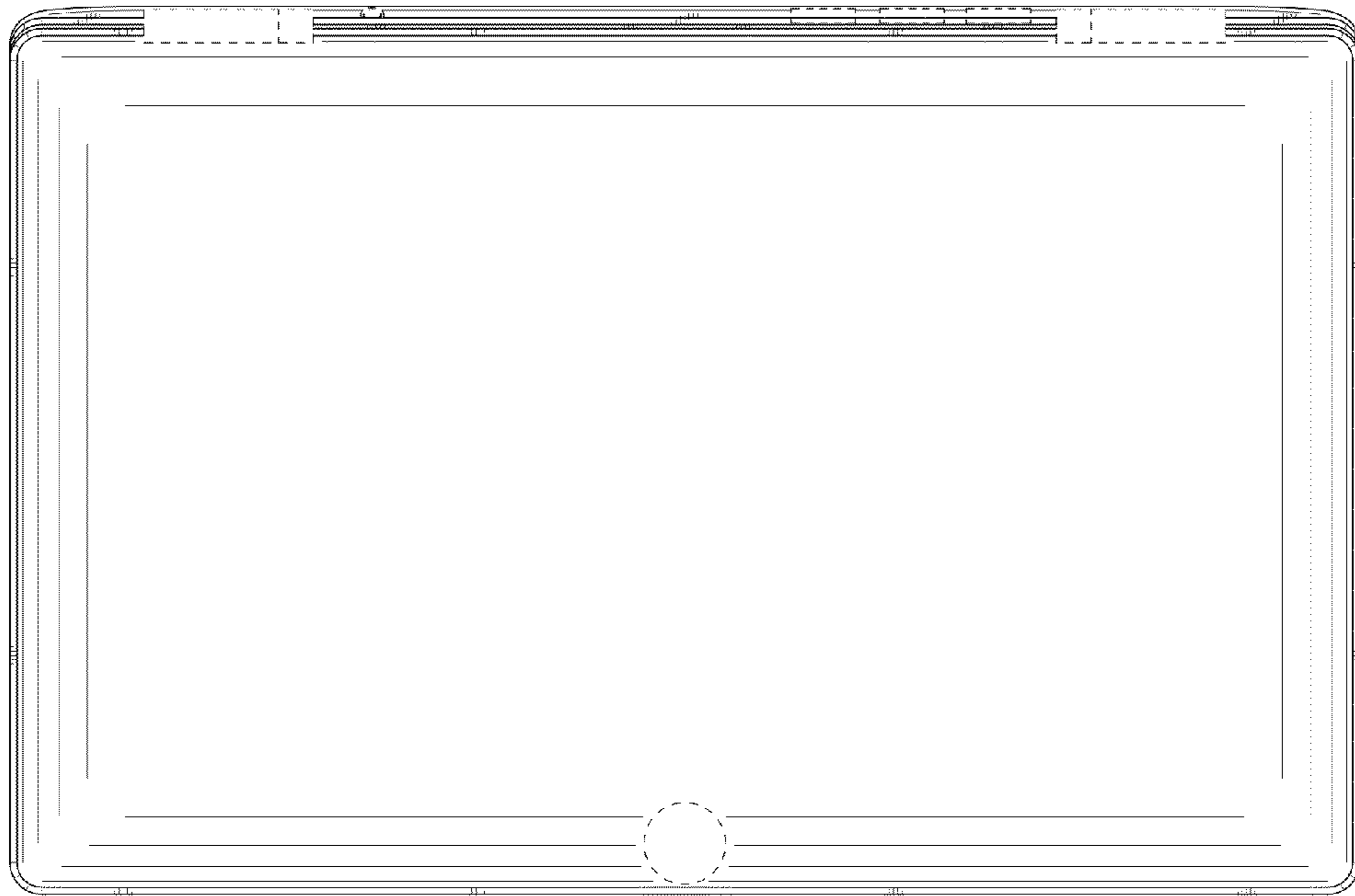


FIG.7

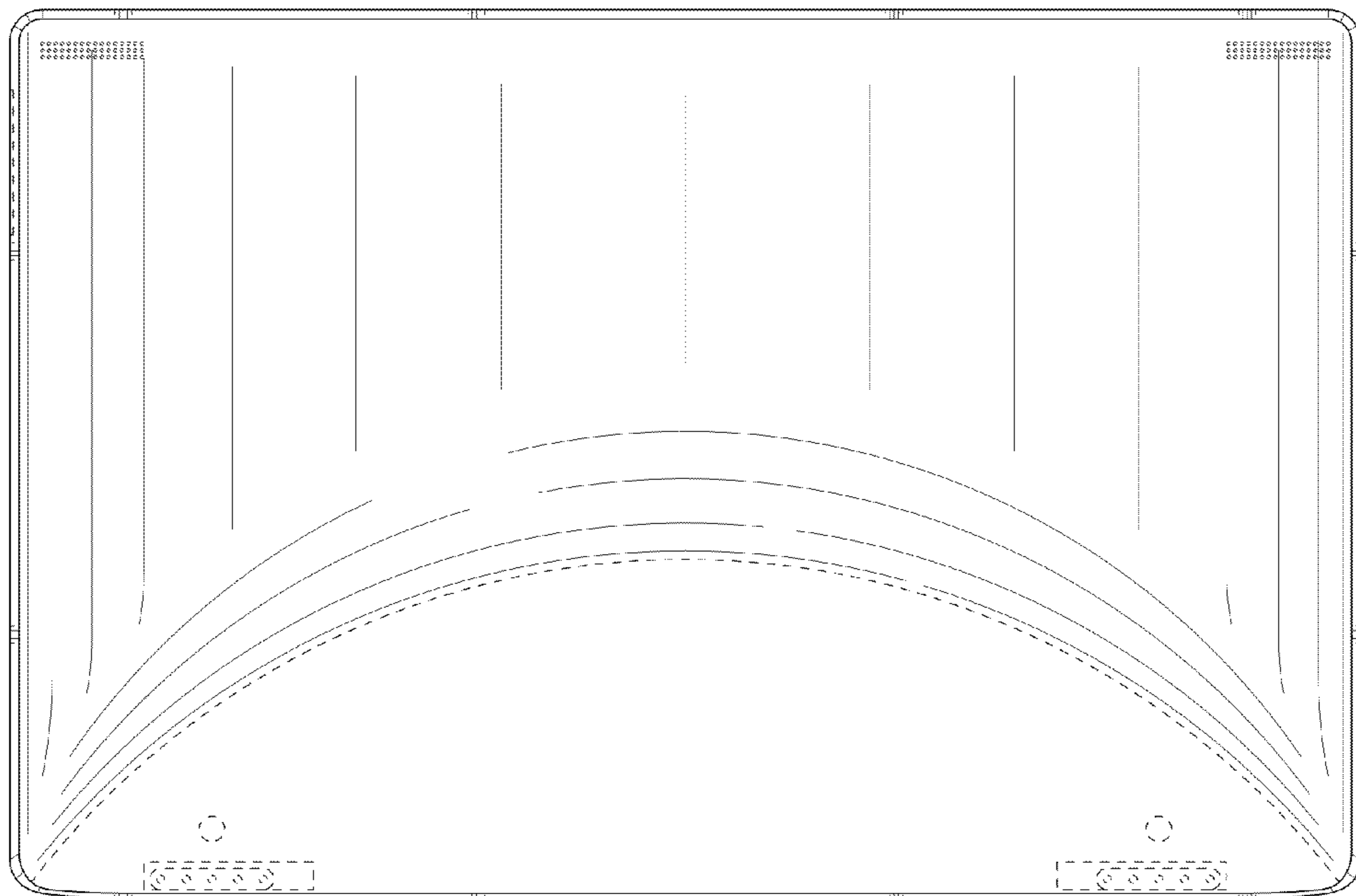


FIG.8

