

US00D715287S

(12) **United States Design Patent**  
**Nagao et al.**

(10) **Patent No.:** **US D715,287 S**  
(45) **Date of Patent:** **\*\* Oct. 14, 2014**

(54) **PERSONAL COMPUTER**

(71) Applicant: **Fujitsu Limited**, Kawasaki (JP)

(72) Inventors: **Eiji Nagao**, Ichikawa (JP); **Hiroyuki Fujita**, Tokyo (JP); **Mark Friesen**, Tokyo (JP); **Nobuharu Tsusaka**, Kawasaki (JP); **Hisao Morooka**, Kawasaki (JP); **Toni Koberling**, München (DE)

(73) Assignee: **Fujitsu Limited**, Kawasaki (JP)

(\*\*) Term: **14 Years**

(21) Appl. No.: **29/453,950**

(22) Filed: **May 3, 2013**

(30) **Foreign Application Priority Data**

Nov. 6, 2012 (JP) ..... 2012-026982

(51) **LOC (10) Cl.** ..... **14-02**

(52) **U.S. Cl.**  
USPC ..... **D14/316**

(58) **Field of Classification Search**

USPC ..... D14/315-327, 439; D18/1, 2, 7, 11;  
235/145 A, 145 R; 341/22, 23; 345/104,  
345/156, 168, 169, 173; 361/679.08,  
361/679.09, 679.11, 679.26, 679.27;  
16/367

See application file for complete search history.

(56) **References Cited**

**U.S. PATENT DOCUMENTS**

5,900,848 A \* 5/1999 Haneda et al. .... 345/1.1  
6,464,195 B1 \* 10/2002 Hildebrandt ..... 248/460

(Continued)

*Primary Examiner* — Freda S Nunn

(74) *Attorney, Agent, or Firm* — Staas & Halsey LLP

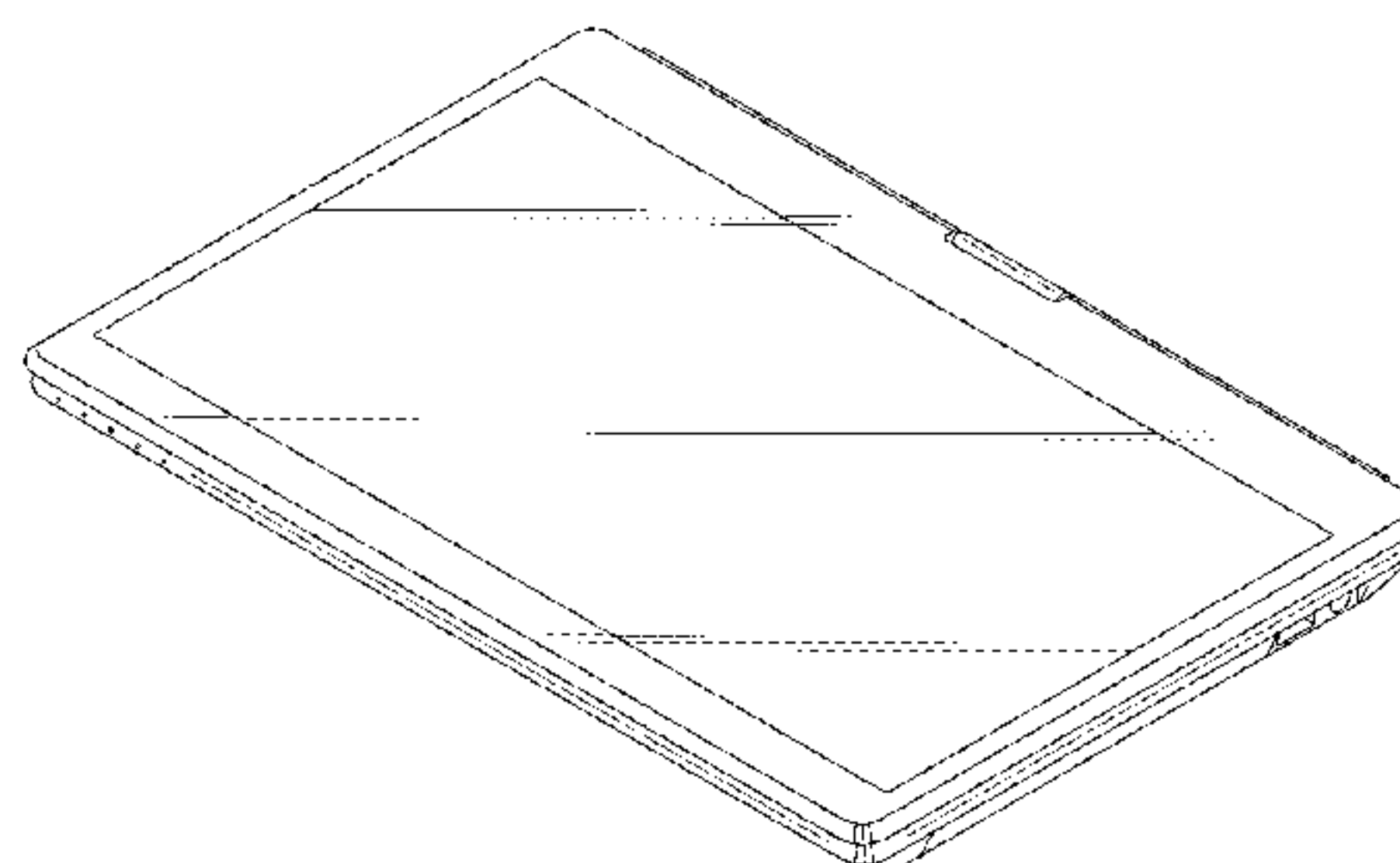
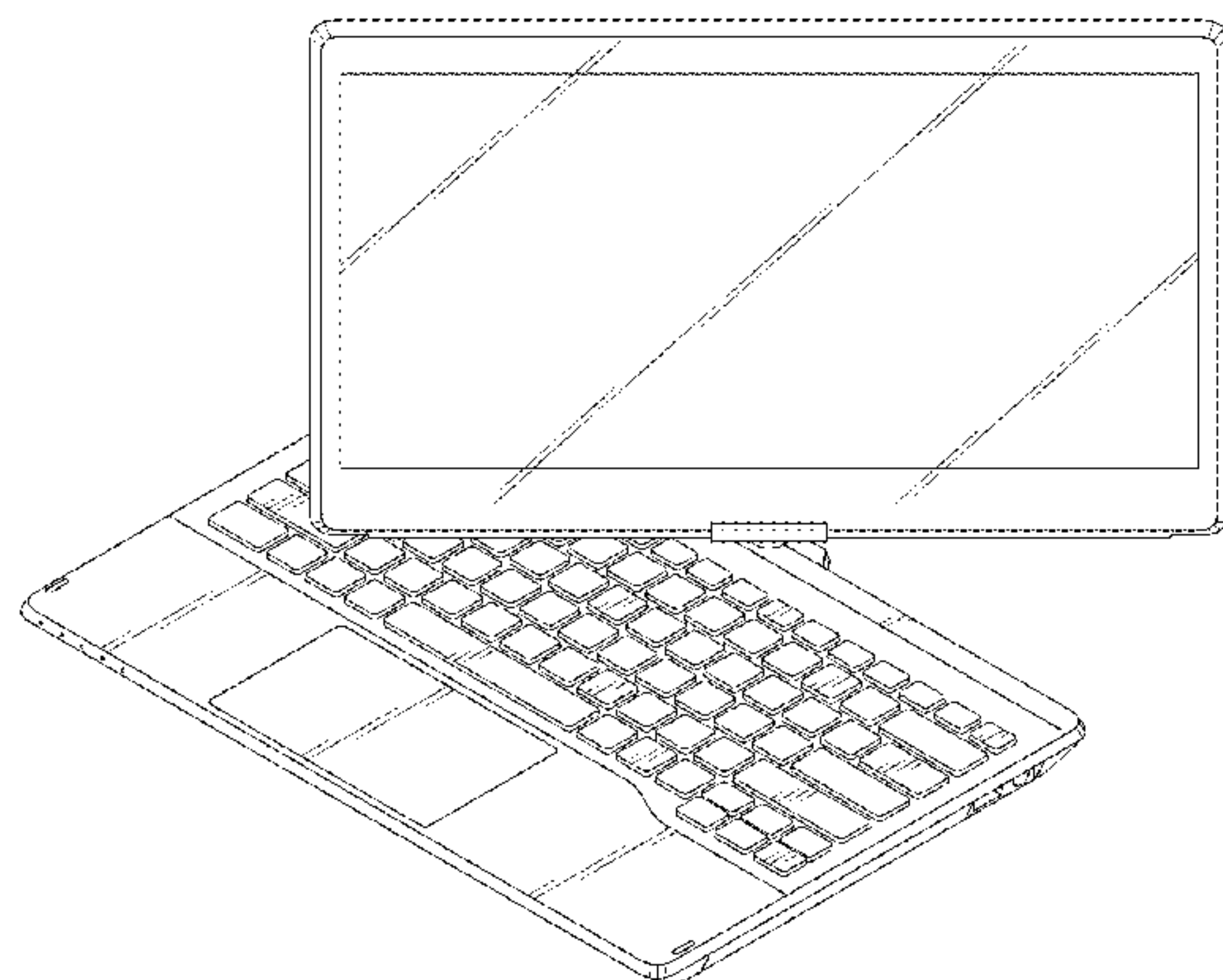
(57) **CLAIM**

The ornamental design for a personal computer, as shown and described.

**DESCRIPTION**

FIG. 1 is a perspective view of front, bottom and right side of a personal computer showing our new design;  
FIG. 2 is a perspective view of rear, bottom and left side thereof;  
FIG. 3 is a front view thereof;  
FIG. 4 is a rear view thereof;  
FIG. 5 is a left side view thereof;  
FIG. 6 is a right side view thereof;  
FIG. 7 is a top view thereof;  
FIG. 8 is a bottom view thereof;  
FIG. 9 is a perspective view of front, bottom and right side thereof, with lid open;  
FIG. 10 is a perspective view of rear, bottom and left side thereof, with lid open;  
FIG. 11 is a front view thereof, with lid open;  
FIG. 12 is a rear view thereof, with lid open;  
FIG. 13 is a left side view thereof, with lid open;  
FIG. 14 is a right side view thereof, with lid open;  
FIG. 15 is a top view thereof, with lid open;  
FIG. 16 is a bottom view thereof, with lid open;  
FIG. 17 is a cross-sectional view taken along line 17-17' in FIG. 11 thereof, omitting the interior mechanism;  
FIG. 18 is a perspective view of front, bottom and right side thereof, with lid being rotated after it is open;  
FIG. 19 is a perspective view of front, bottom and right side thereof, with lid closed after it is open and rotated;  
FIG. 20 is a perspective view of rear, bottom and left side thereof, with lid closed after it is open and rotated;  
FIG. 21 is a front view thereof, with lid closed after it is open and rotated;  
FIG. 22 is a rear view thereof, with lid closed after it is open and rotated;  
FIG. 23 is a left side view thereof, with lid closed after it is open and rotated;  
FIG. 24 is a right side view thereof, with lid closed after it is open and rotated;  
FIG. 25 is a top view thereof, with lid closed after it is open and rotated; and,  
FIG. 26 is a bottom view thereof, with lid closed after it is open and rotated.

**1 Claim, 22 Drawing Sheets**



# US D715,287 S

Page 2

---

(56)

## References Cited

### U.S. PATENT DOCUMENTS

D482,687 S \* 11/2003 Chu ..... D14/316  
D528,541 S \* 9/2006 Maskatia ..... D14/315

D602,485 S \* 10/2009 Ting et al. .... D14/318  
D606,535 S \* 12/2009 Morooka et al. .... D14/316  
D622,269 S \* 8/2010 Morooka et al. .... D14/316  
2005/0063145 A1\* 3/2005 Homer et al. .... 361/683

\* cited by examiner

Fig. 1

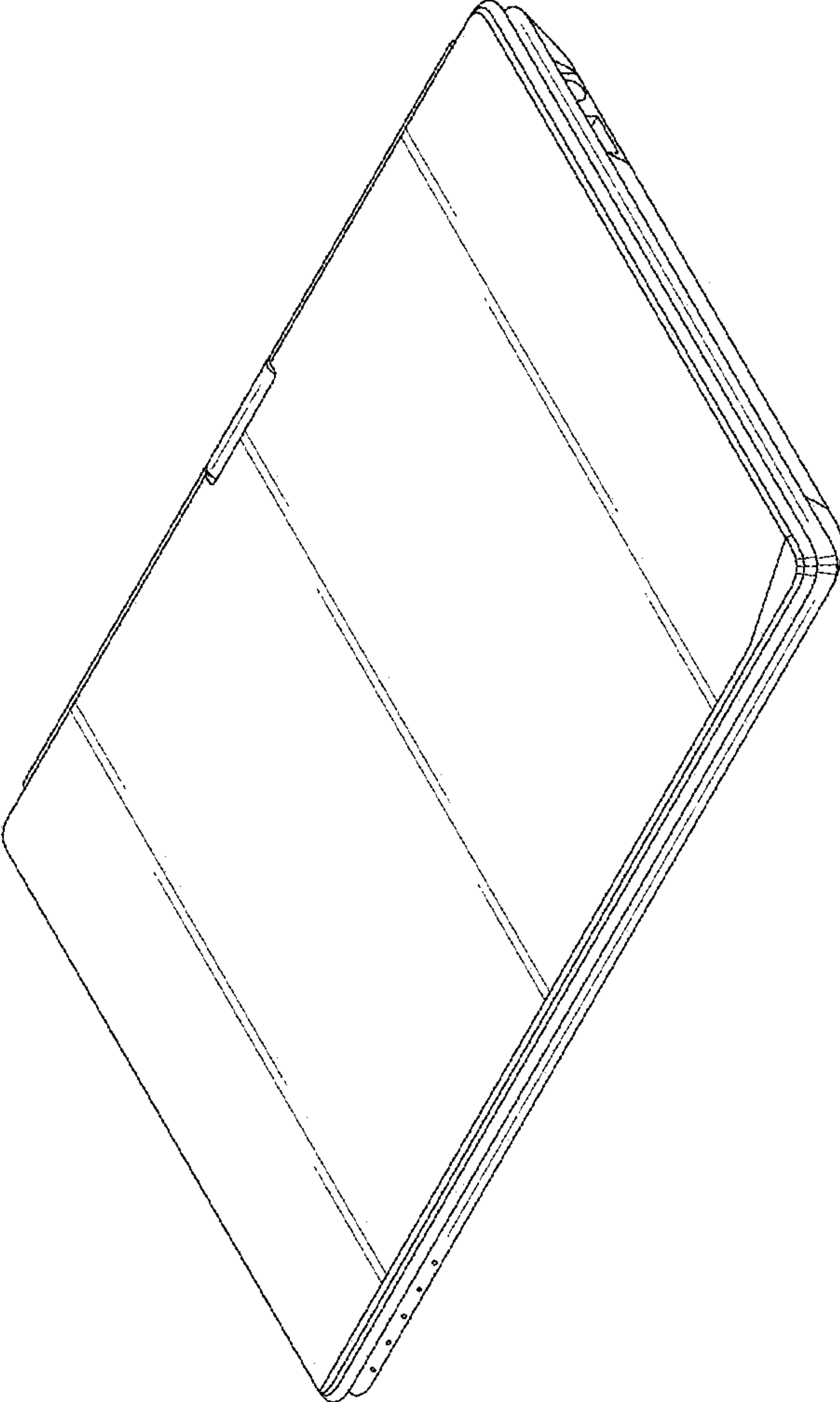


Fig. 2

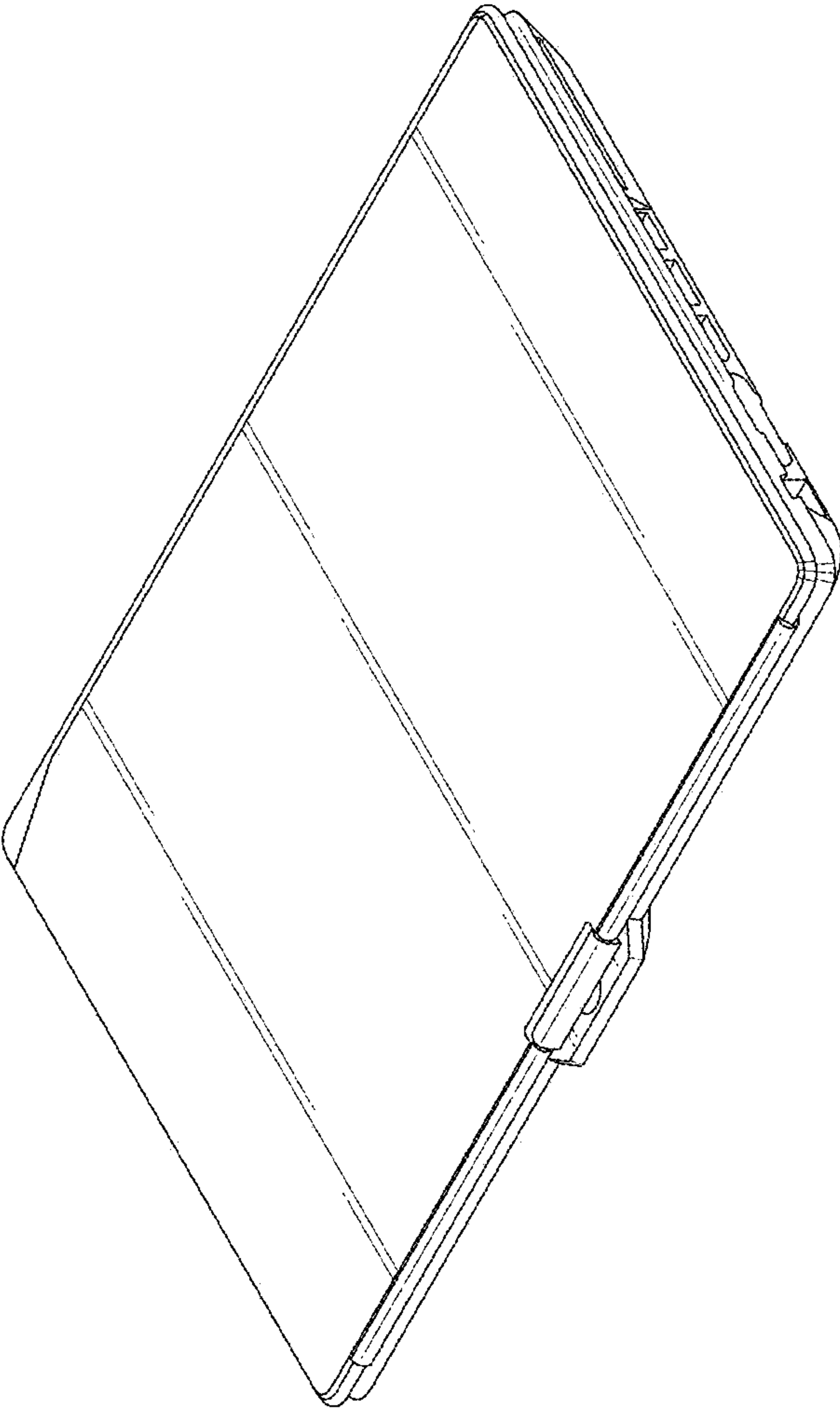


Fig. 3

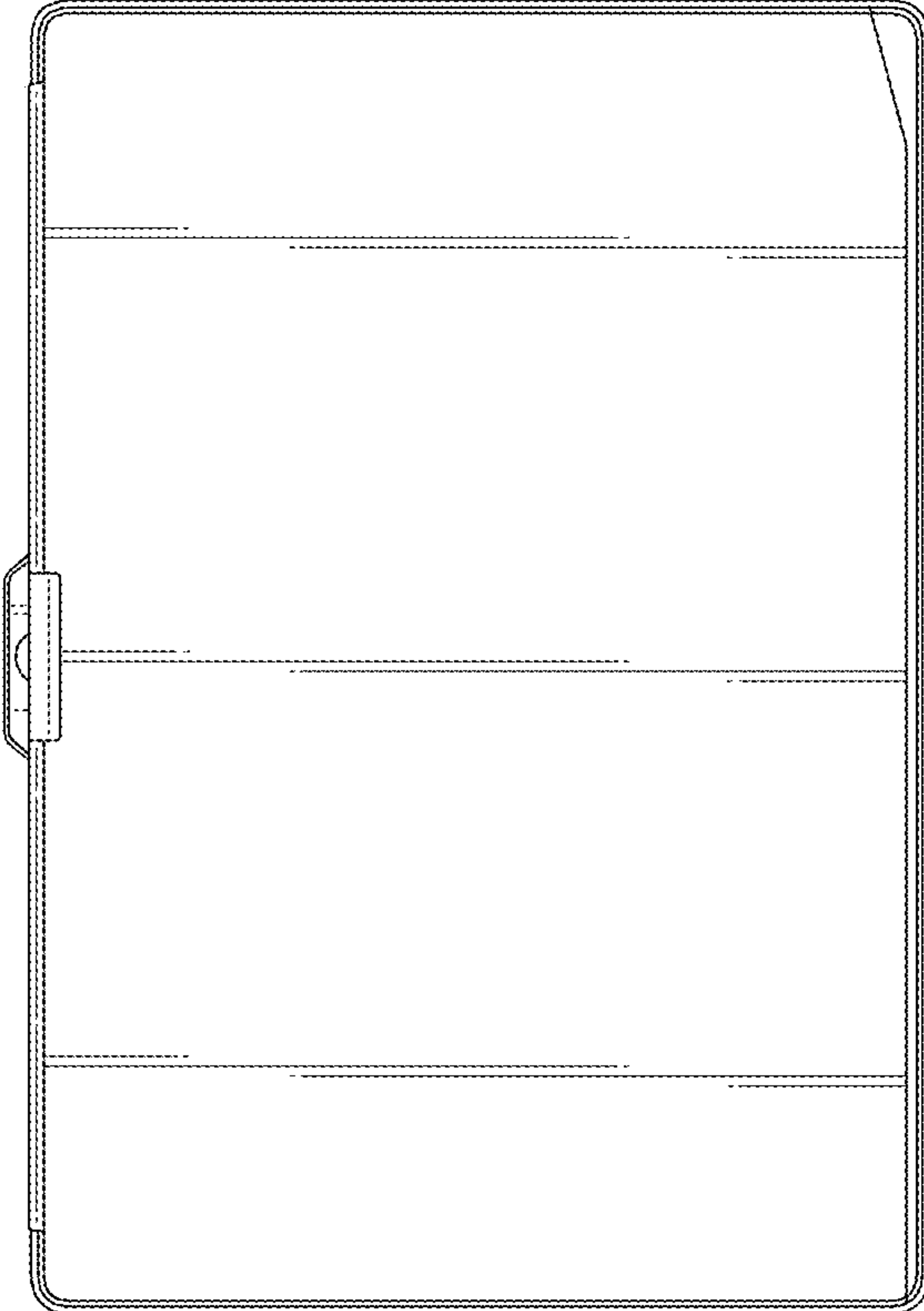


Fig. 4

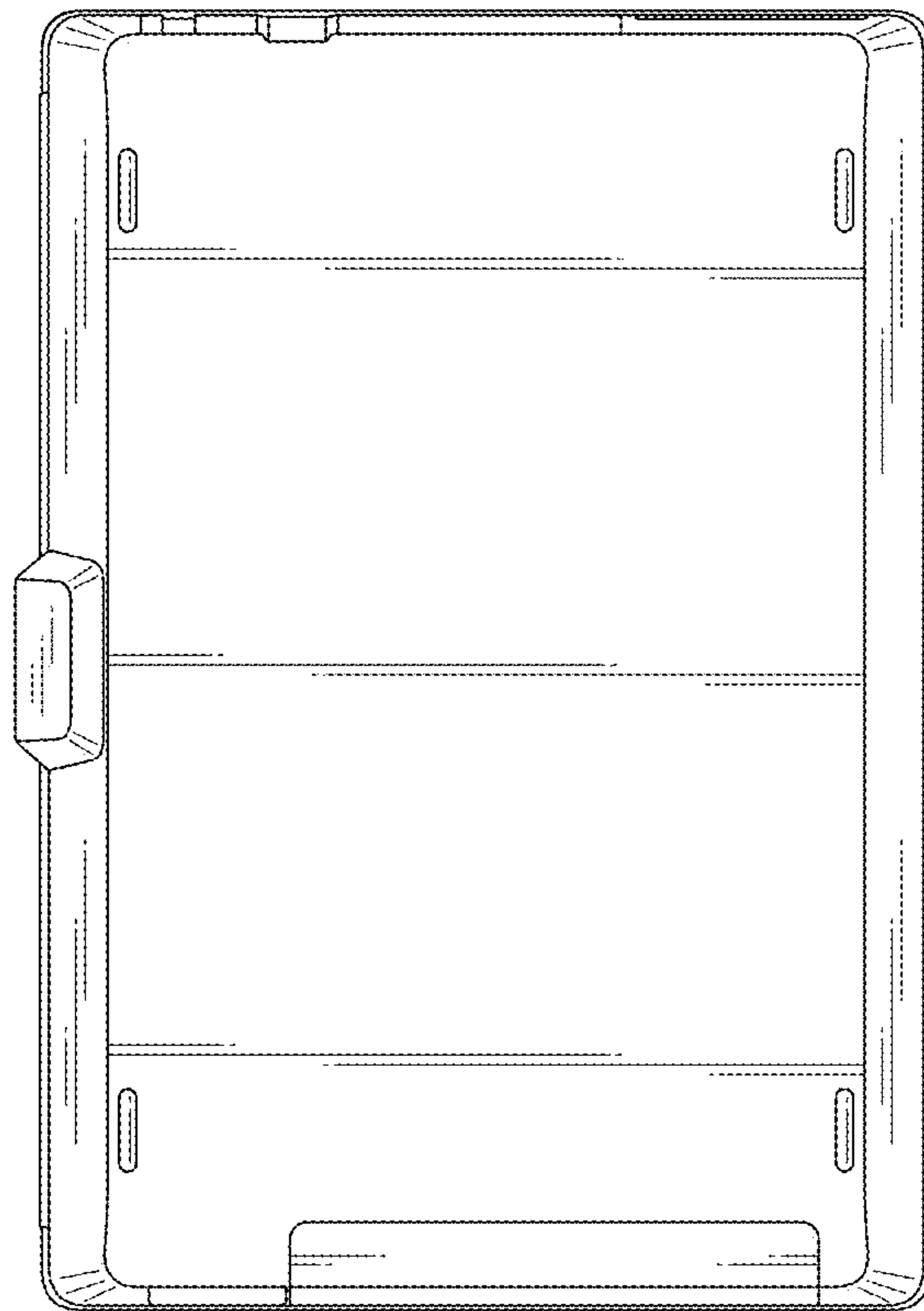


Fig. 6

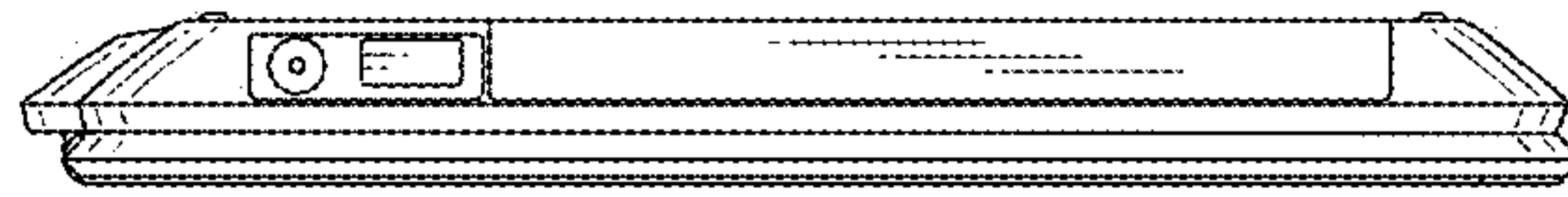


Fig. 5

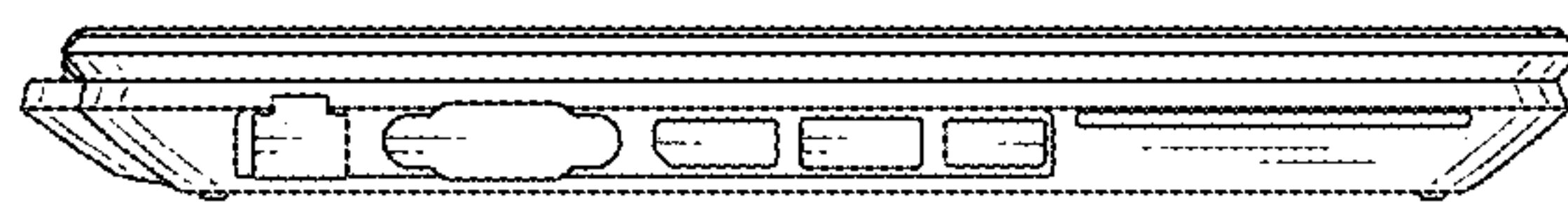




Fig. 7

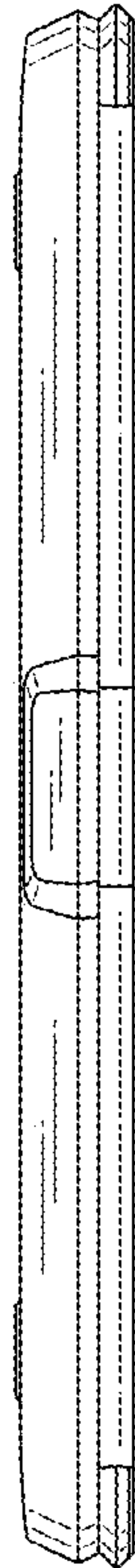
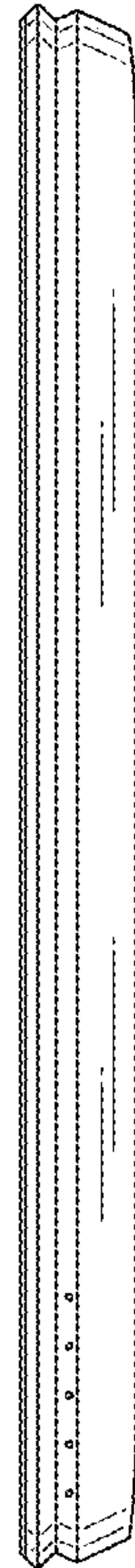


Fig. 8





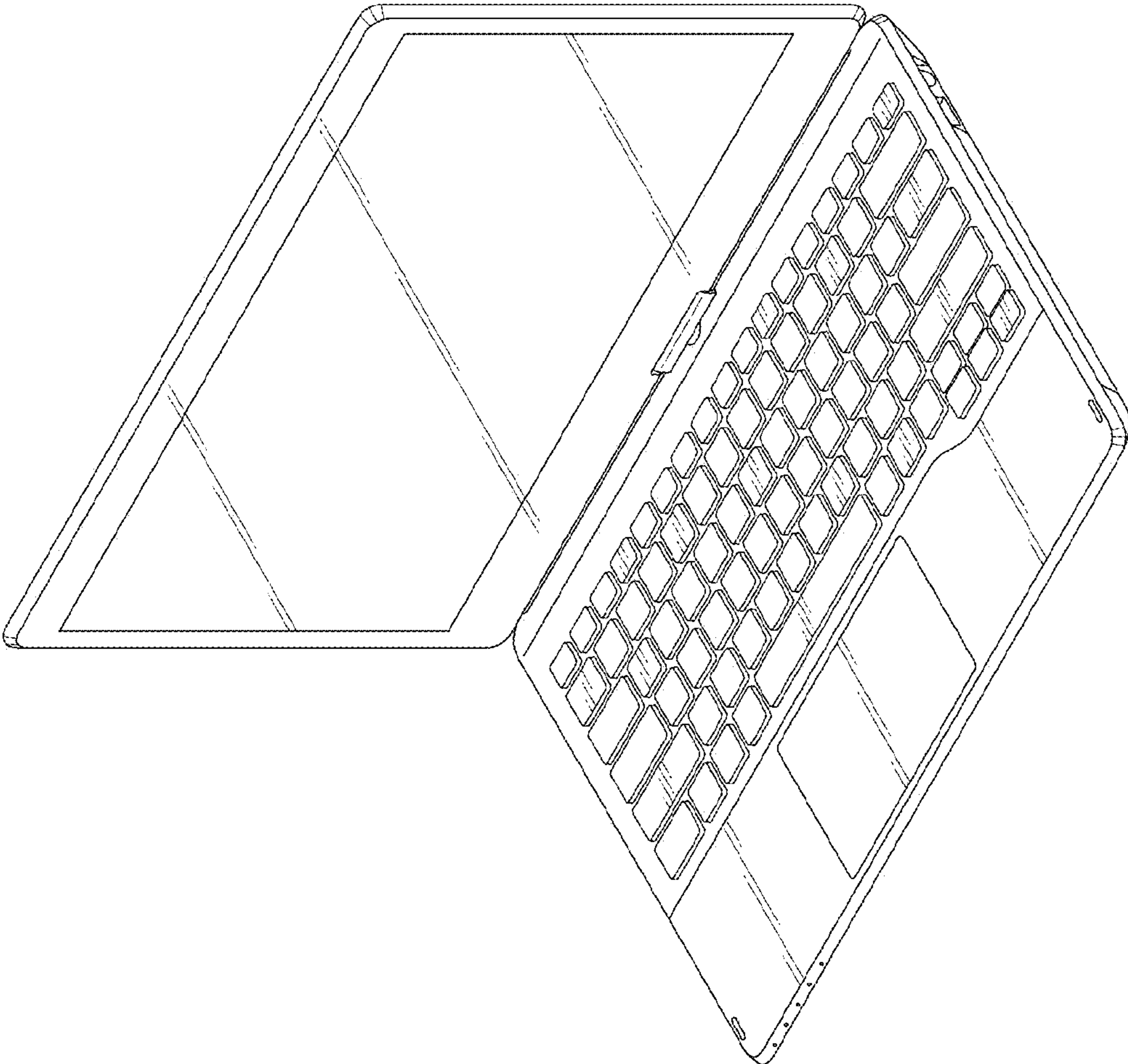


Fig. 9

Fig. 10

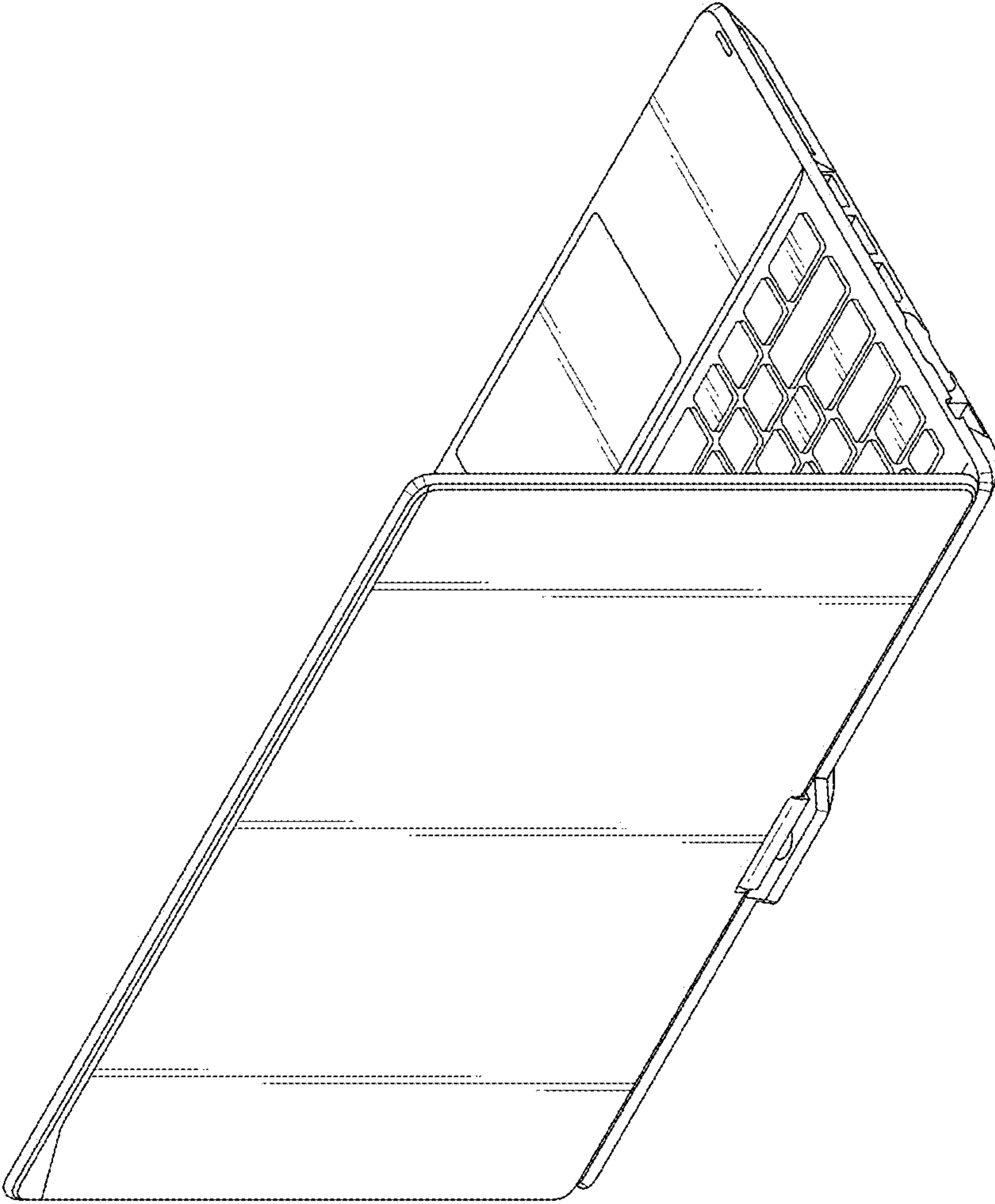


Fig. 11

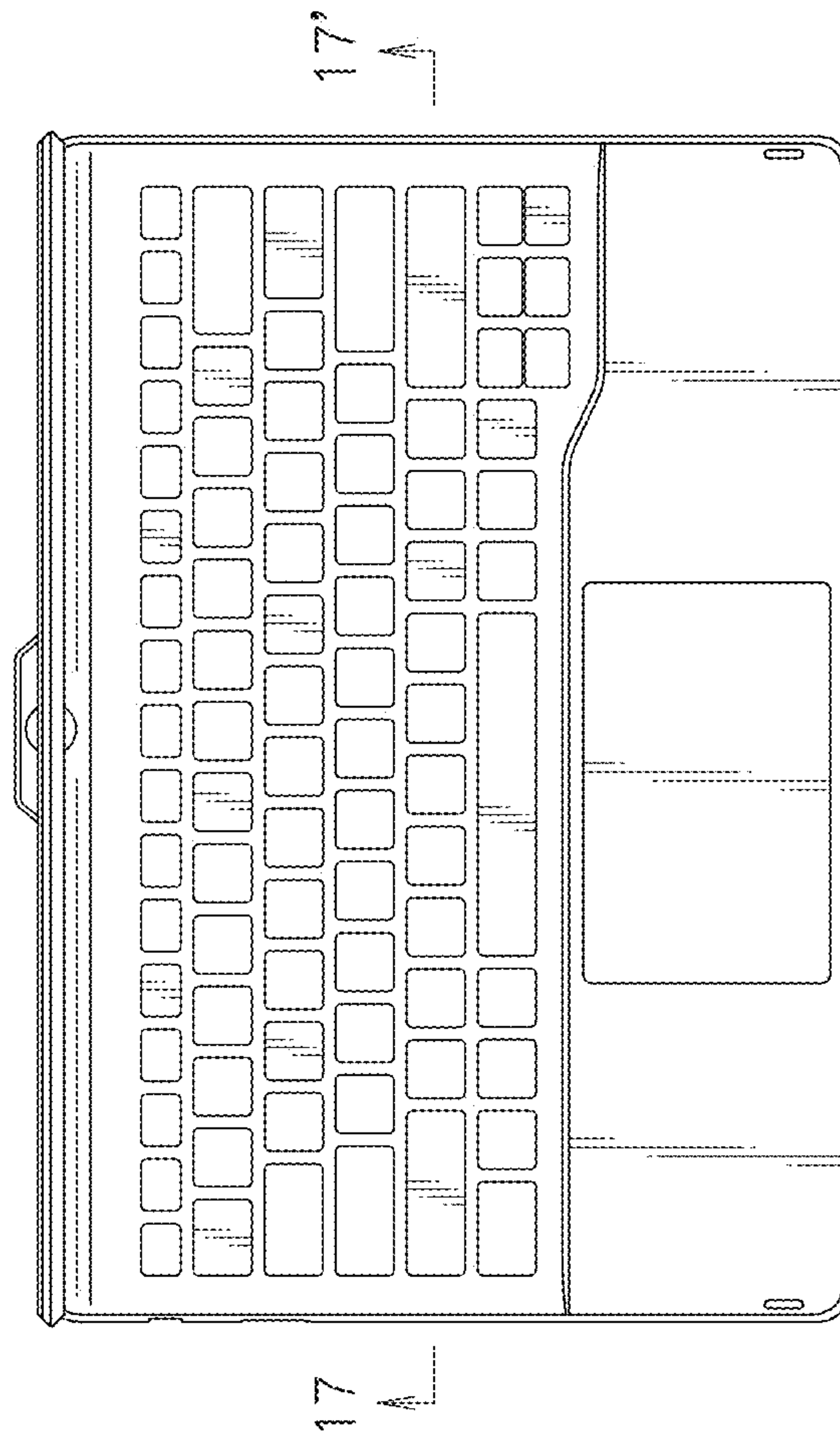


Fig. 12

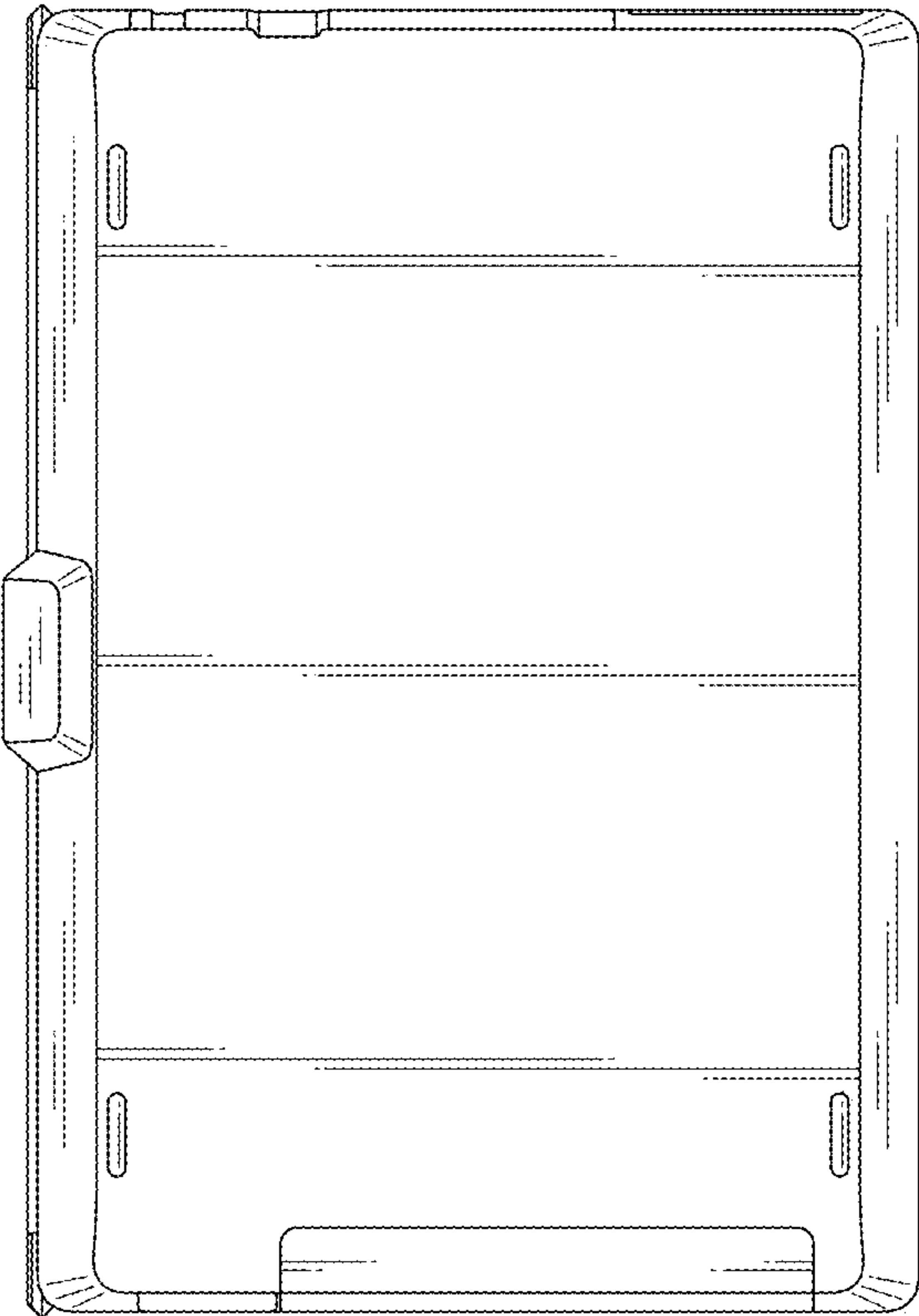
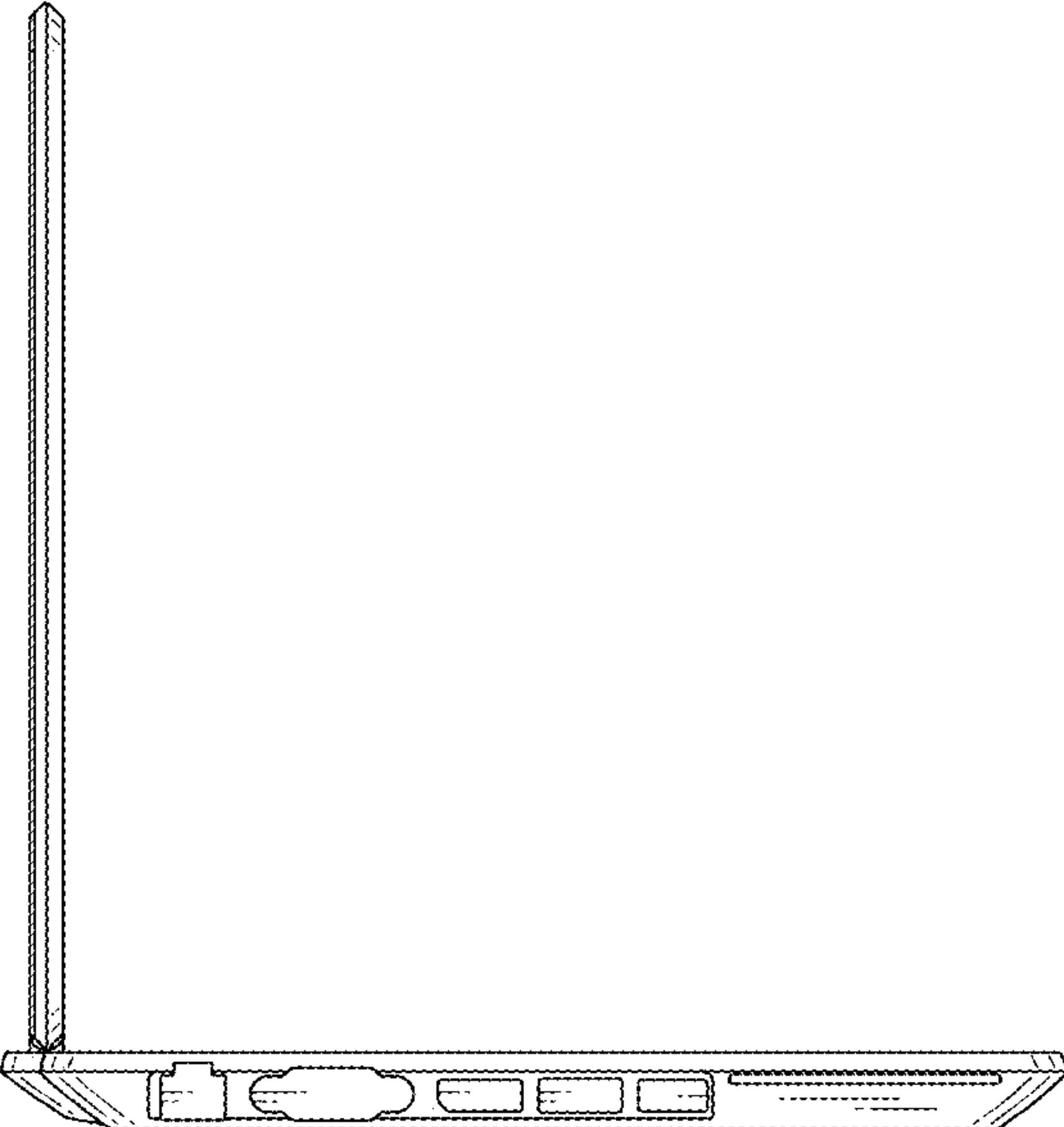


Fig. 13



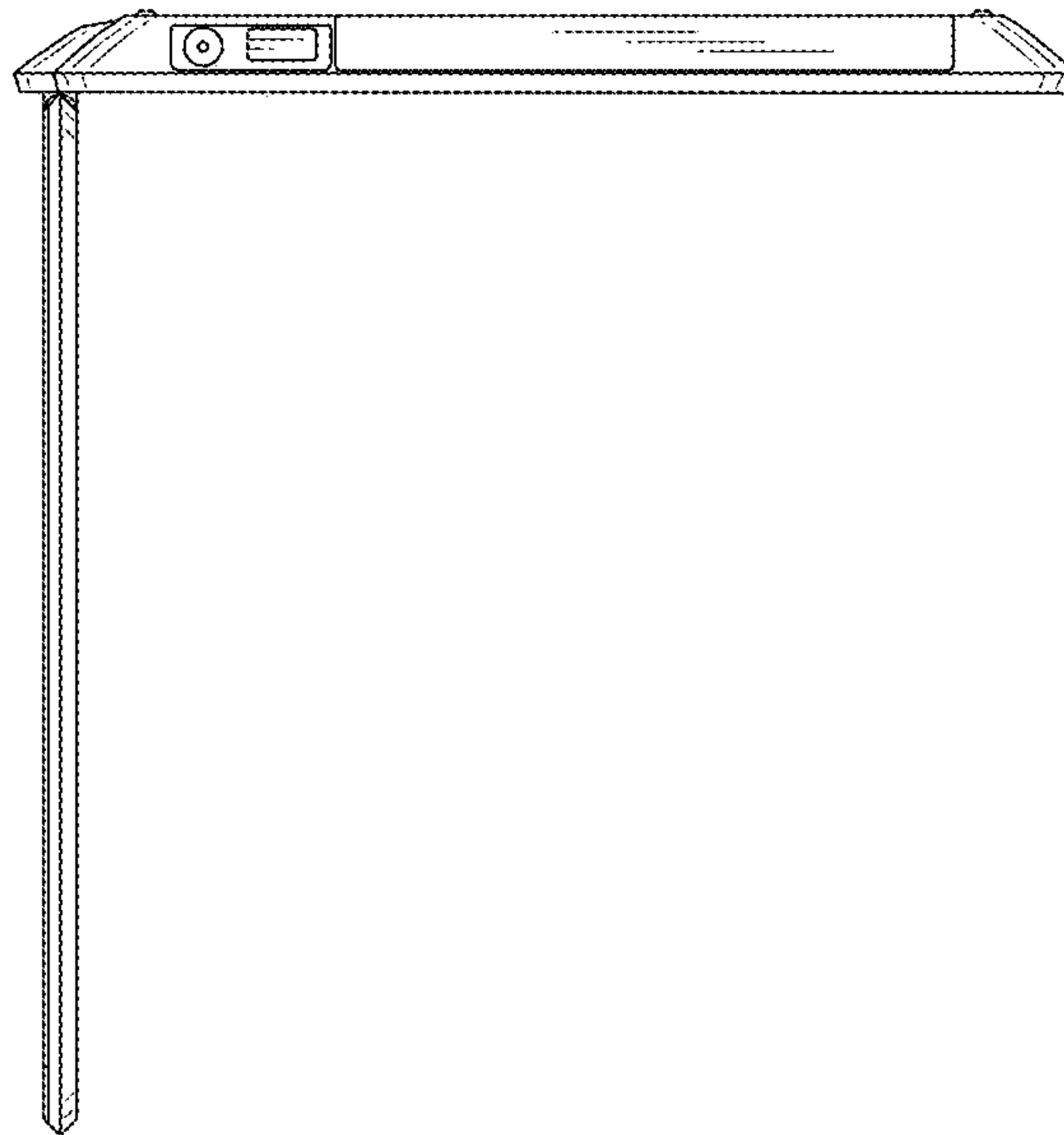


Fig. 14

Fig. 15

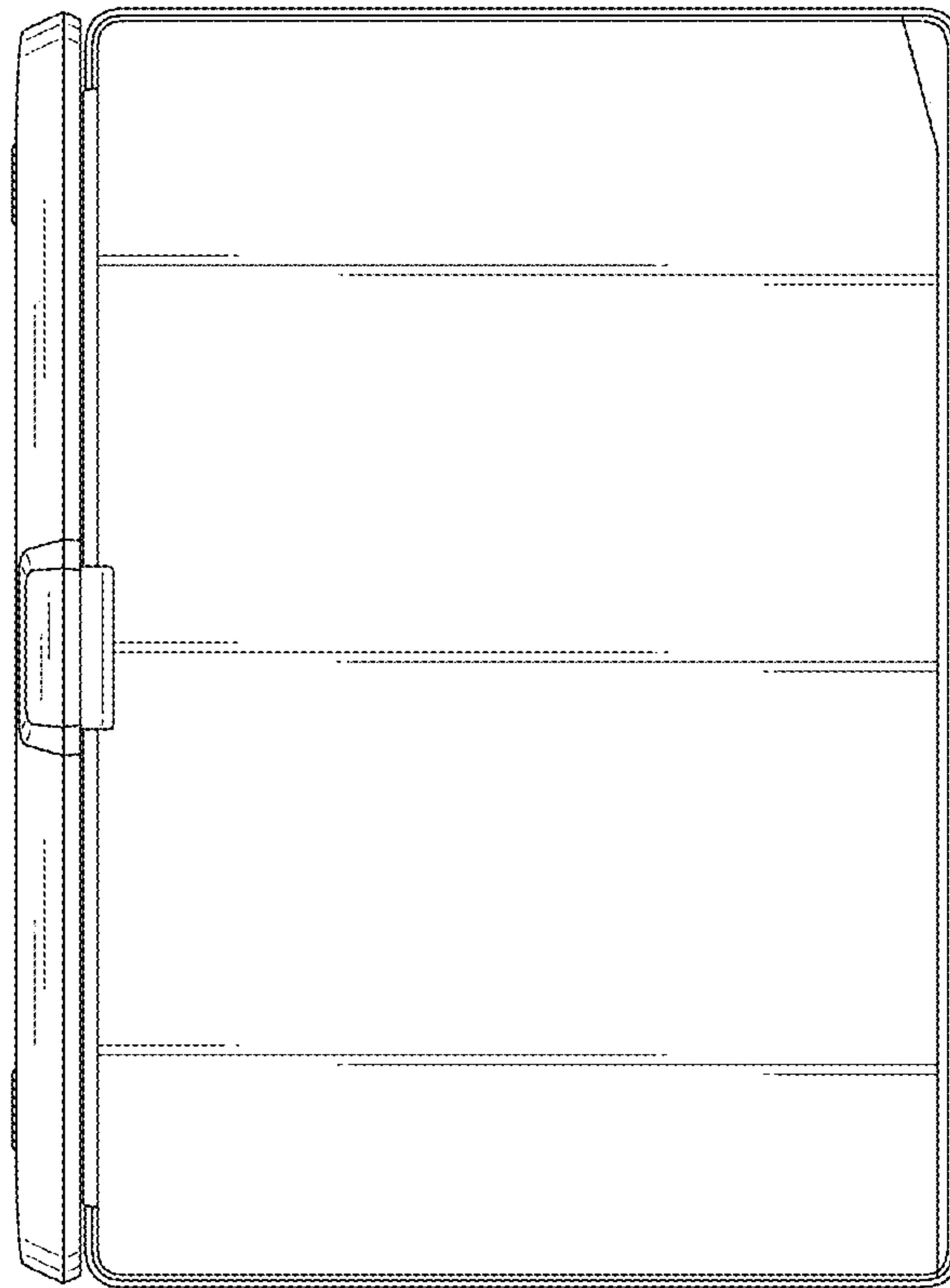




Fig. 16

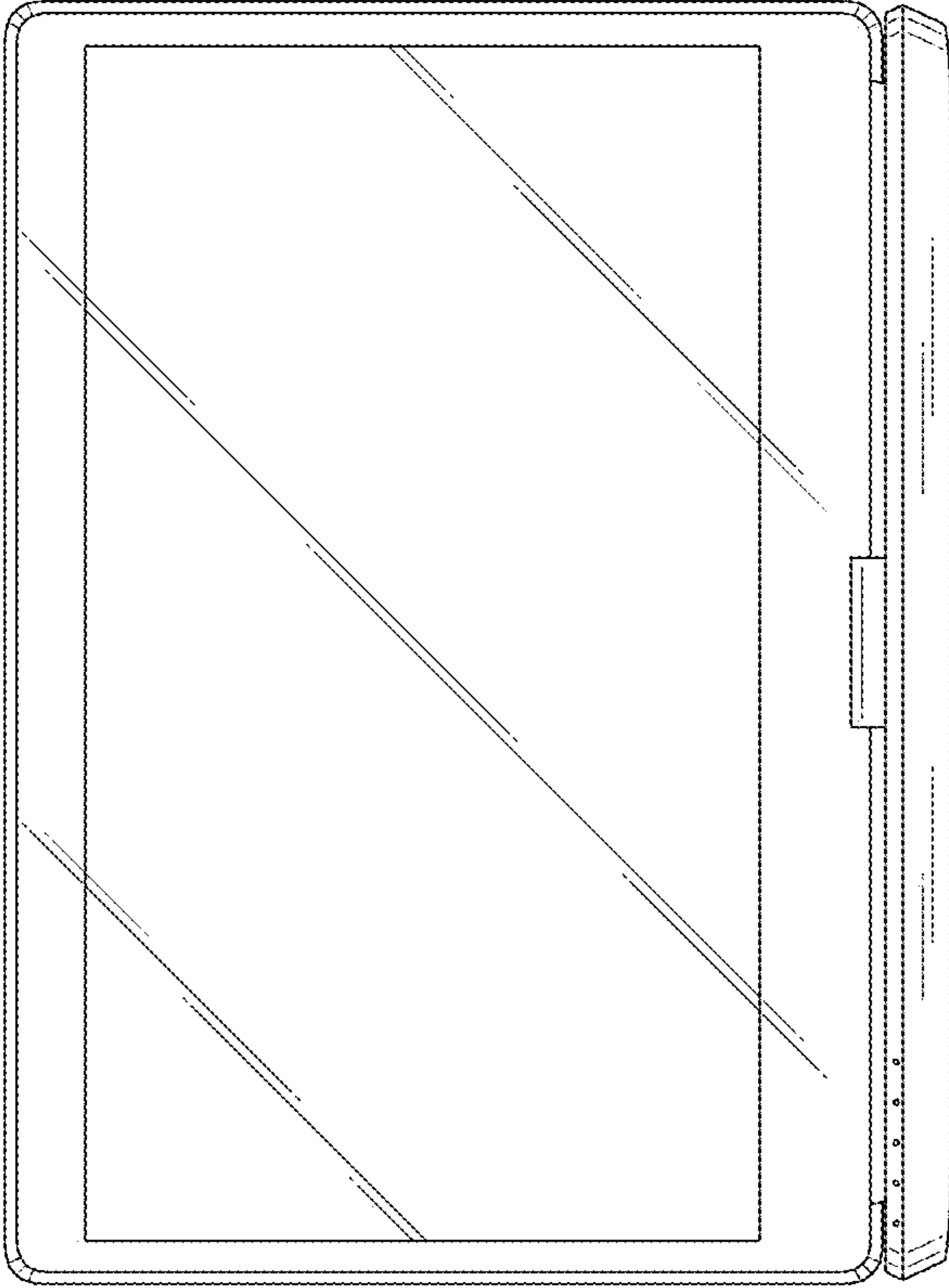


Fig. 17



Fig. 18

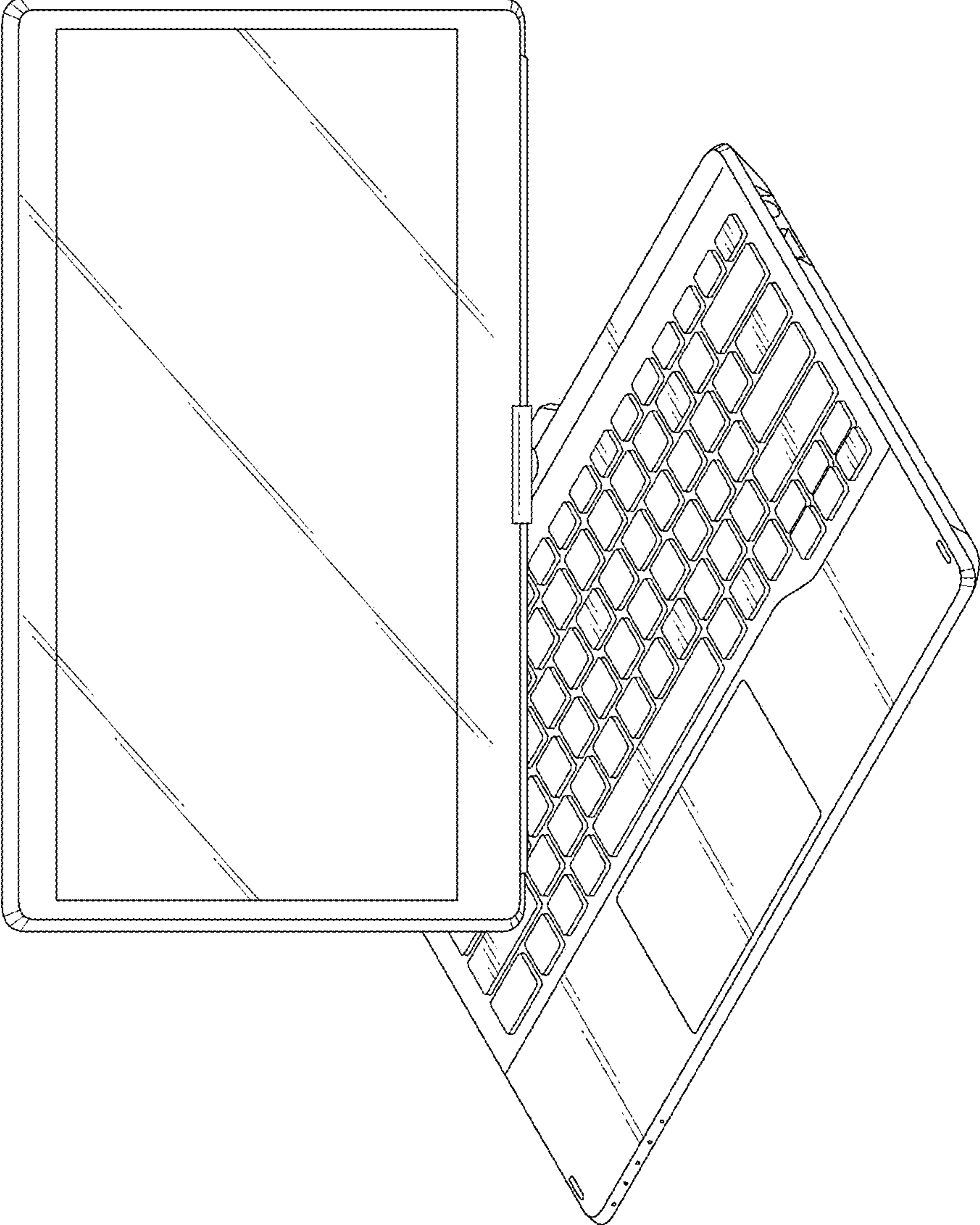


Fig. 19

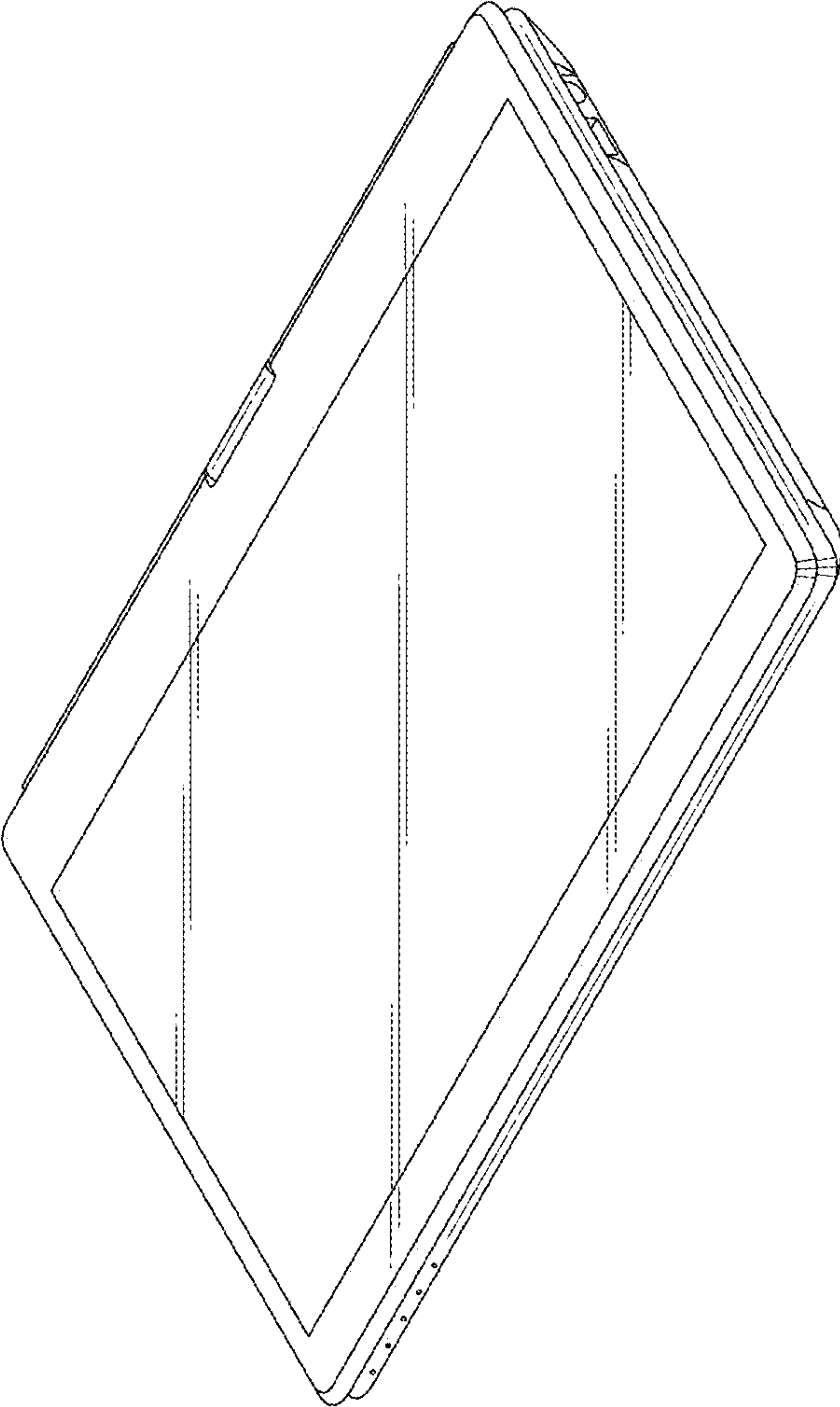


Fig. 20

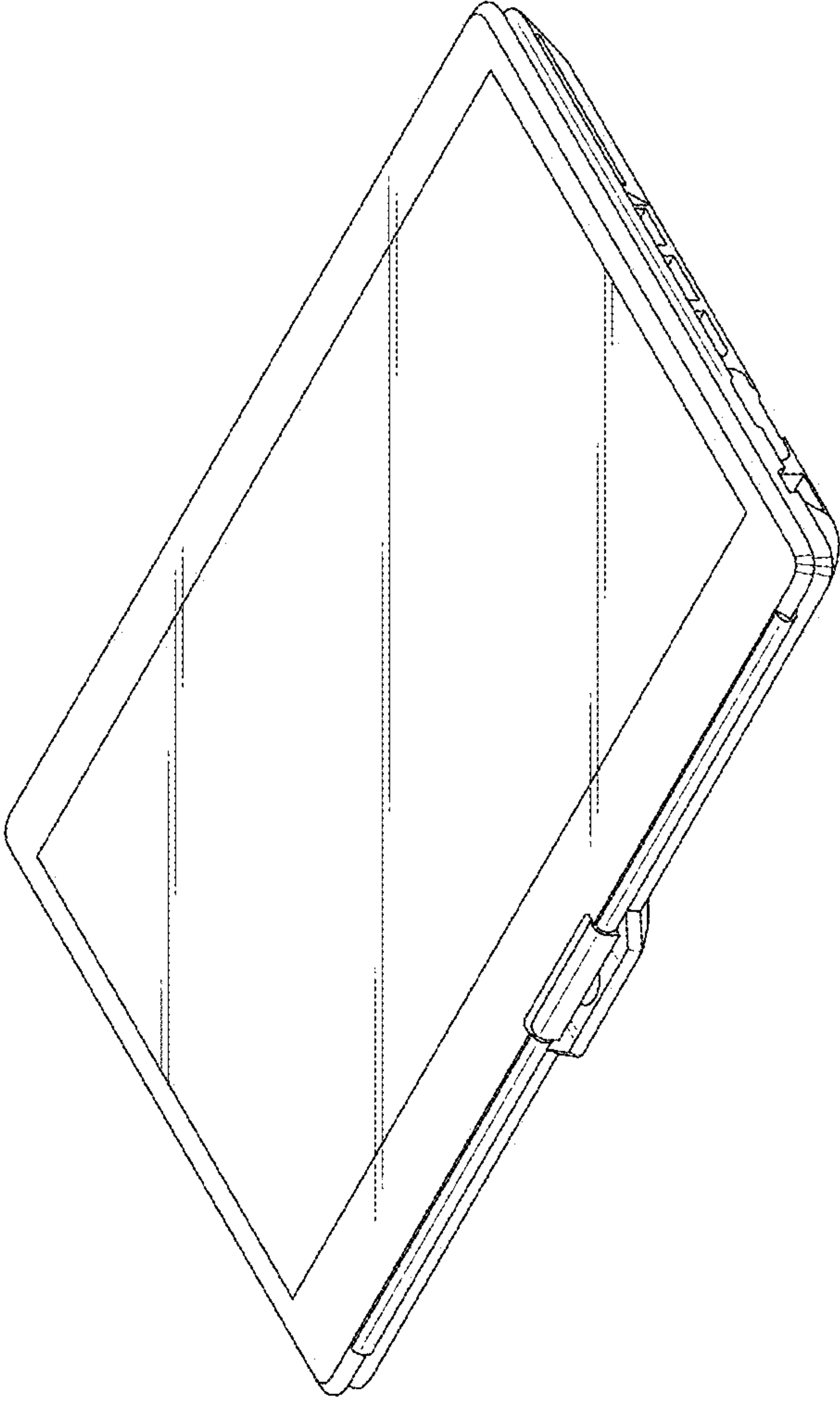


Fig. 21

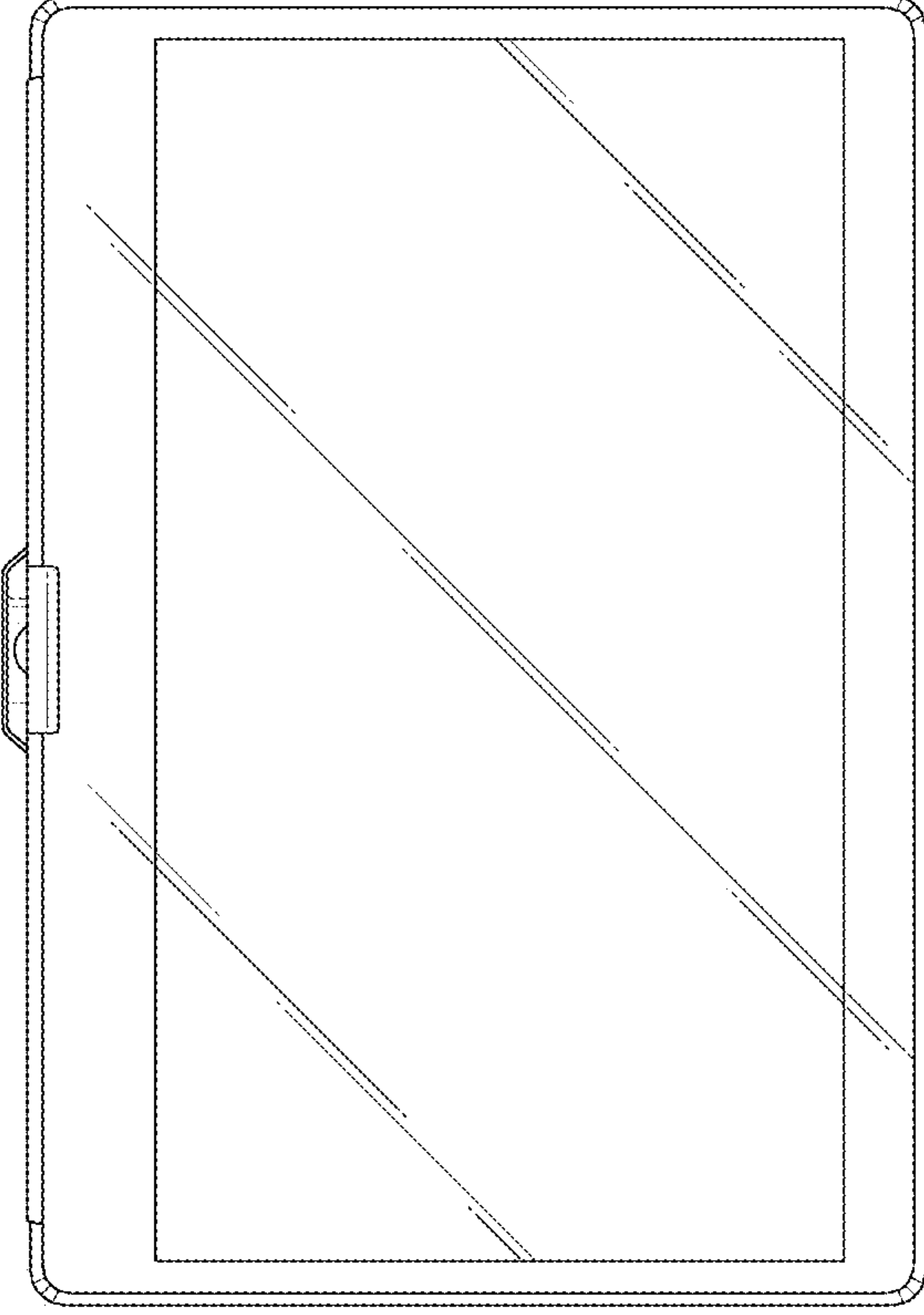


Fig. 22

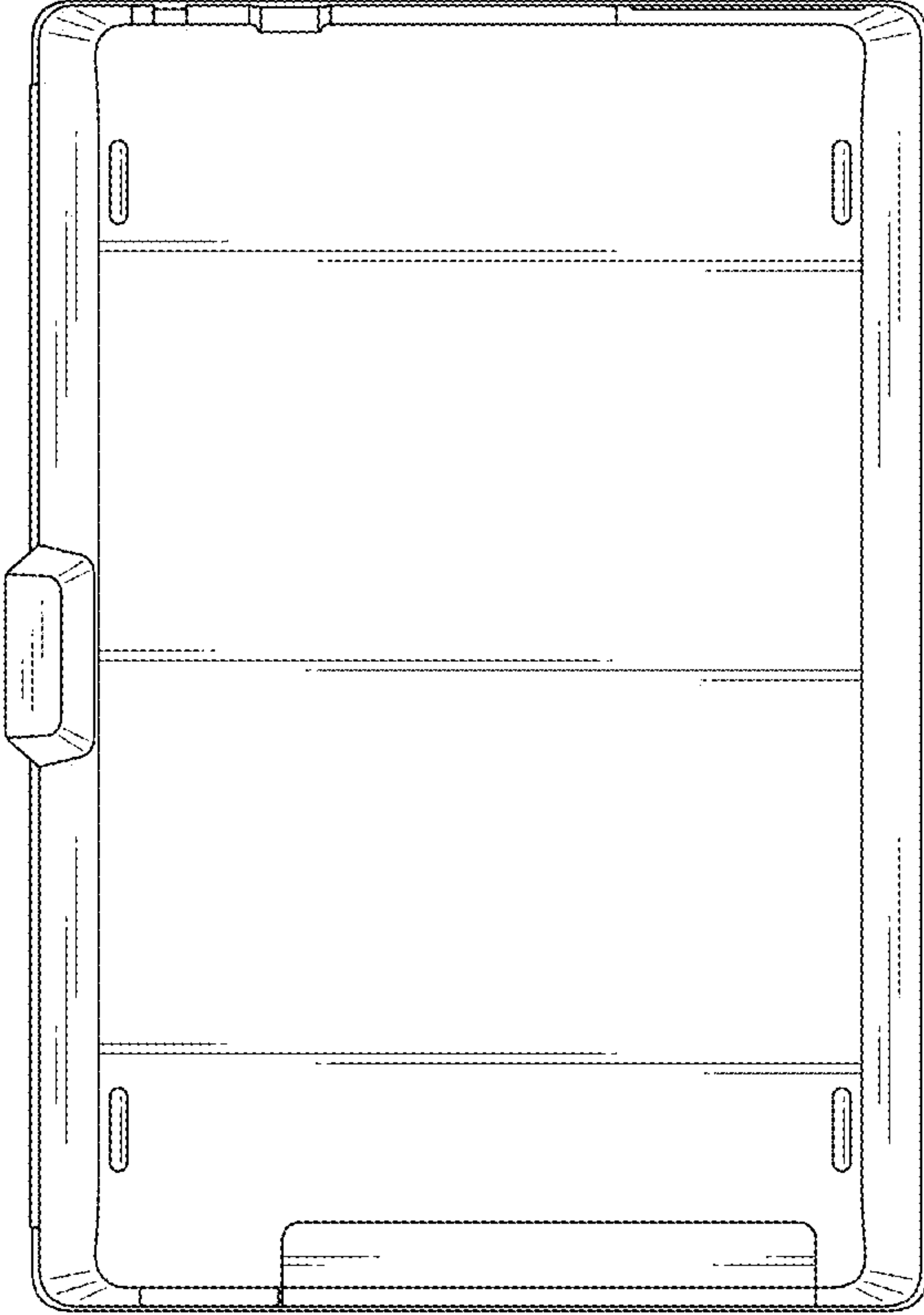




Fig. 24

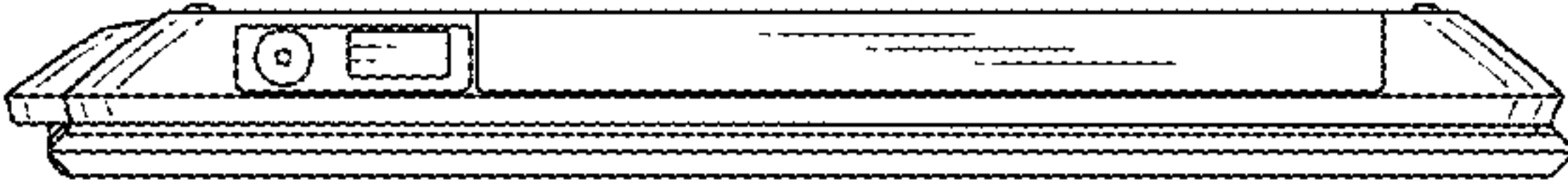


Fig. 23

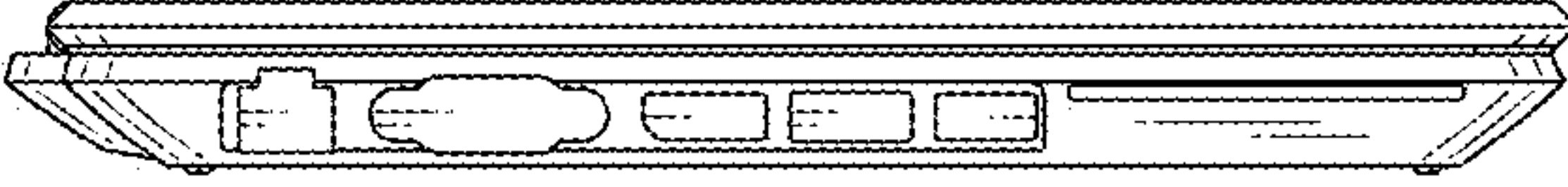


Fig. 25

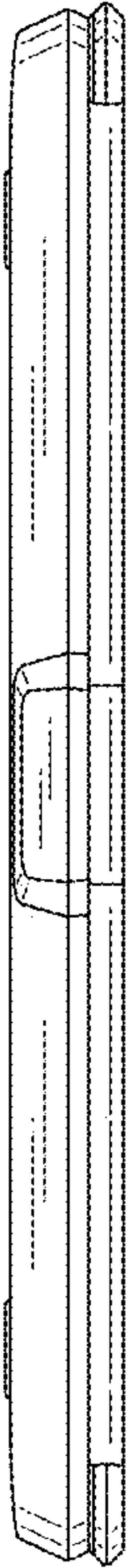


Fig. 26

