



US00D715284S

(12) **United States Design Patent**
Iwamoto

(10) **Patent No.:** **US D715,284 S**
(45) **Date of Patent:** **** Oct. 14, 2014**

- (54) **MOBILE DEVICE CRADLE**
- (71) Applicant: **DENSO International America, Inc.**,
Southfield, MI (US)
- (72) Inventor: **Reiji Iwamoto**, West Bloomfield, MI
(US)
- (73) Assignee: **DENSO International America, Inc.**,
Southfield, MI (US)
- (**) Term: **14 Years**
- (21) Appl. No.: **29/488,116**
- (22) Filed: **Apr. 16, 2014**
- (51) **LOC (10) Cl.** **14-03**
- (52) **U.S. Cl.**
USPC **D14/253**; D12/415; D12/422
- (58) **Field of Classification Search**
USPC D14/137, 140, 140.8, 142, 204, 209.1,
D14/217, 221, 243–256, 434, 440, 444–447,
D14/238.1; D8/400–404, 499; D2/861;
D3/215, 218, 304, 269; D6/467, 300,
D6/310, 553–574; D25/318; 292/342, 343;
248/188.2; 348/373, 376; D12/415,
D12/411, 416, 422; D19/87, 90; 455/573,
455/575.1, 575.9
See application file for complete search history.

D284,005 S *	5/1986	Isaacs	D14/251
D304,726 S *	11/1989	Brooks et al.	D14/149
D308,522 S *	6/1990	Swinburne	D14/251
D319,061 S *	8/1991	Powell et al.	D14/240
D350,330 S *	9/1994	Peterson	D13/107
D365,566 S *	12/1995	Cantrell	D14/253
D365,567 S *	12/1995	Cantrell	D14/253
D413,188 S *	8/1999	Whaley	D34/1
D416,914 S *	11/1999	Lummis	D14/251
D460,431 S *	7/2002	Narita	D14/149
D535,608 S *	1/2007	Sullivan	D12/415
D595,287 S *	6/2009	Nazar	D14/251
D605,588 S *	12/2009	Nomi et al.	D13/108
D677,669 S *	3/2013	Liu	D14/447
D680,491 S *	4/2013	Paschke et al.	D13/108
D699,246 S *	2/2014	Ringlein	D14/447
D700,888 S *	3/2014	Serfoss	D13/108

* cited by examiner

Primary Examiner — Susan Bennett Hattan
Assistant Examiner — Janice Hallmark

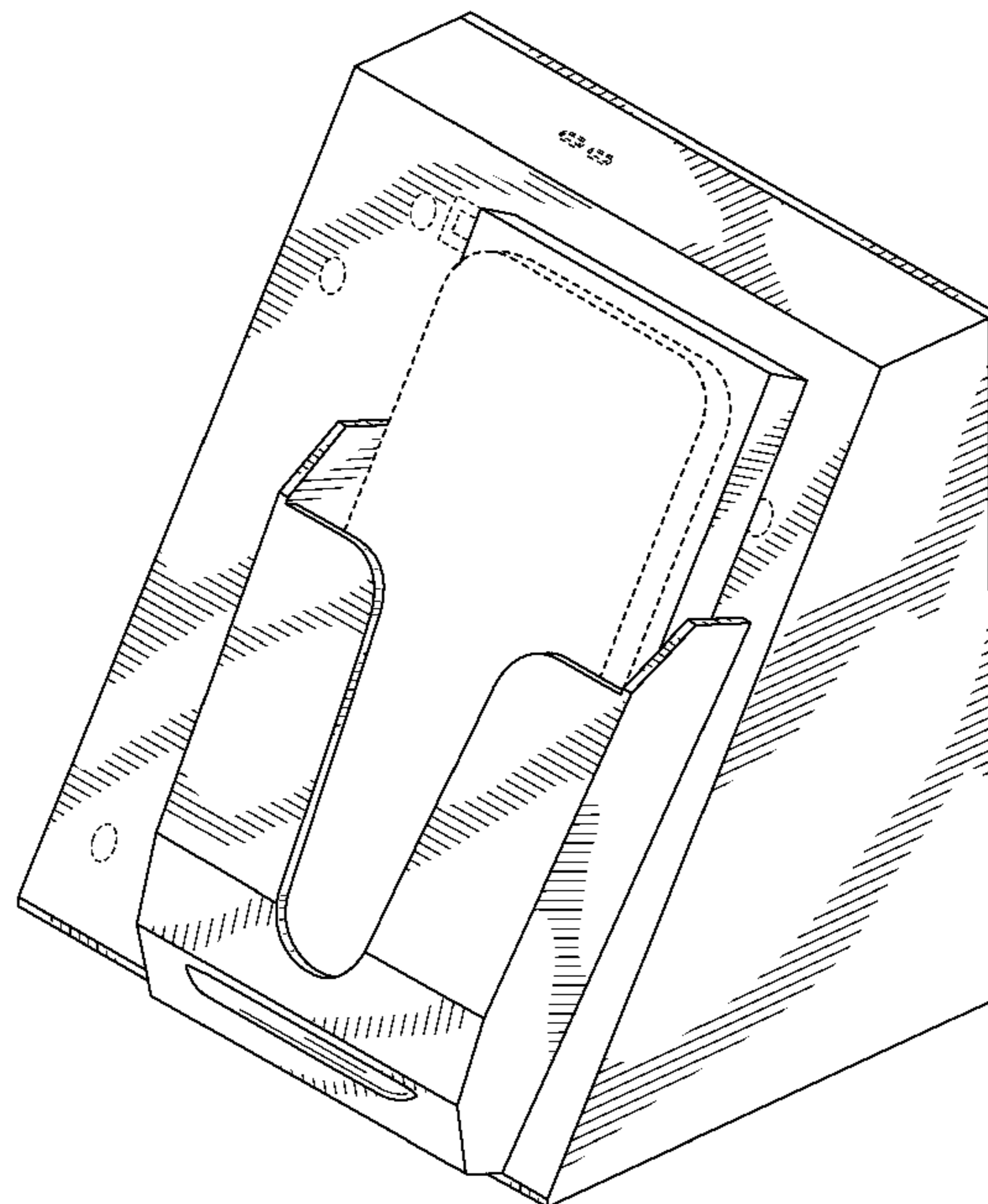
(57) **CLAIM**
The ornamental design for a mobile device cradle, as shown and described.

DESCRIPTION

FIG. 1 is and elevated right side perspective view of a mobile device cradle showing my new design;
FIG. 2 is an elevated left side perspective thereof;
FIG. 3 is a front elevation view thereof;
FIG. 4 is a top plan view thereof;
FIG. 5 is a bottom plan view thereof;
FIG. 6 is a left side view thereof; and,
FIG. 7 is a right side view thereof.
The broken lines in the drawings depict environmental subject matter only and form no part of the claimed design.

1 Claim, 7 Drawing Sheets

- (56) **References Cited**
U.S. PATENT DOCUMENTS
D206,590 S * 1/1967 Haggstrom et al. D13/108
D227,117 S * 6/1973 Breger



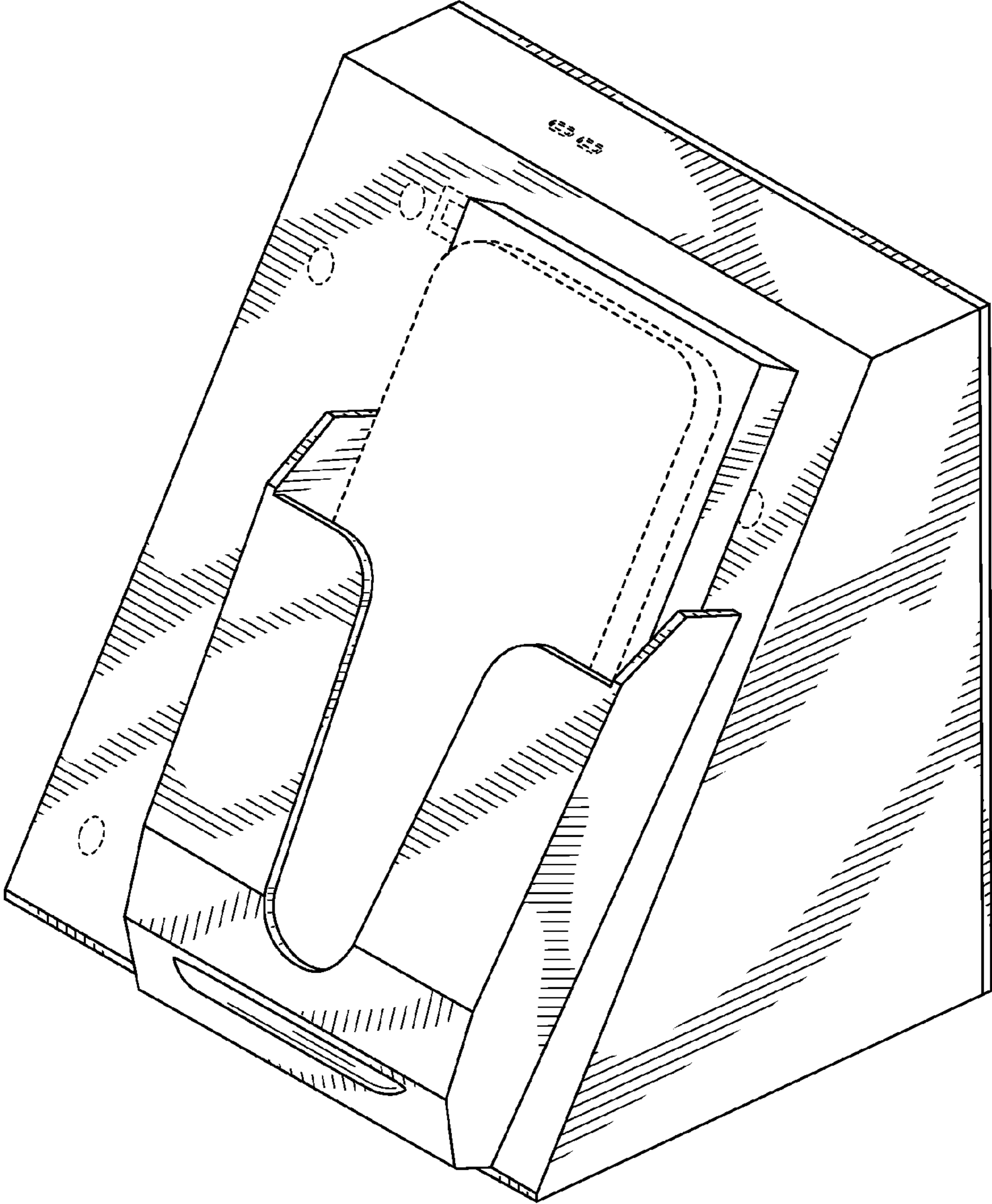


FIG. 1

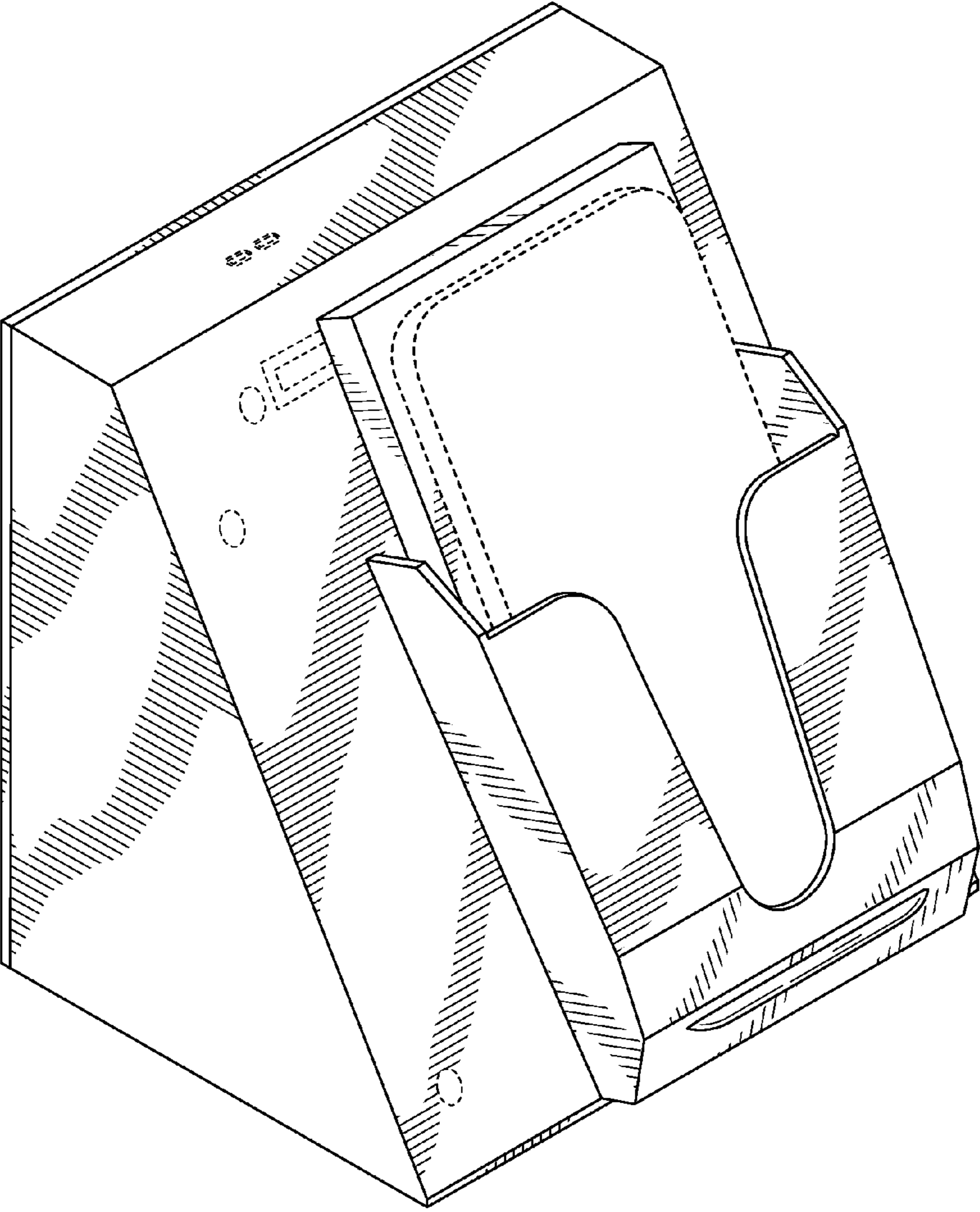


FIG. 2

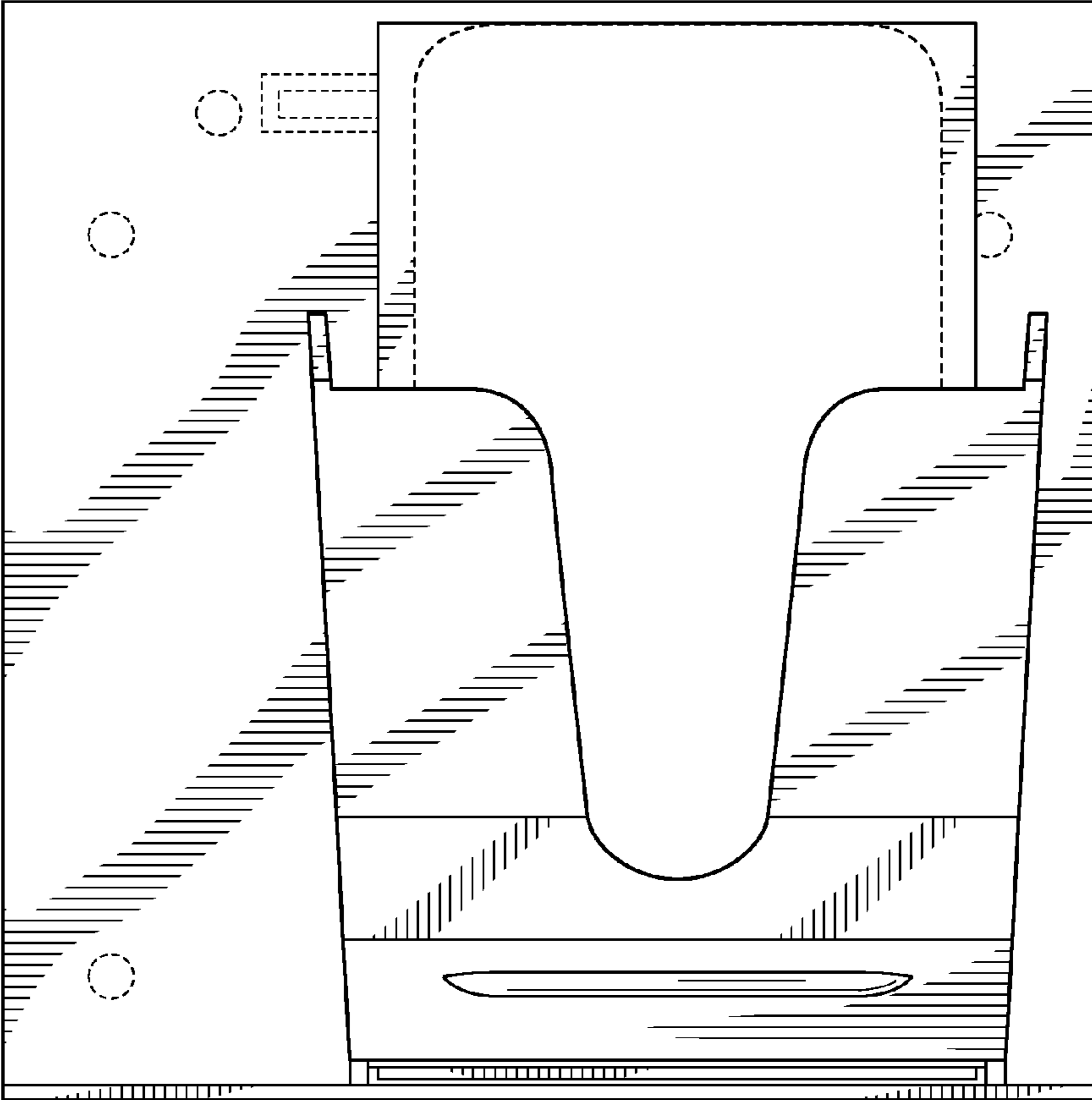


FIG. 3

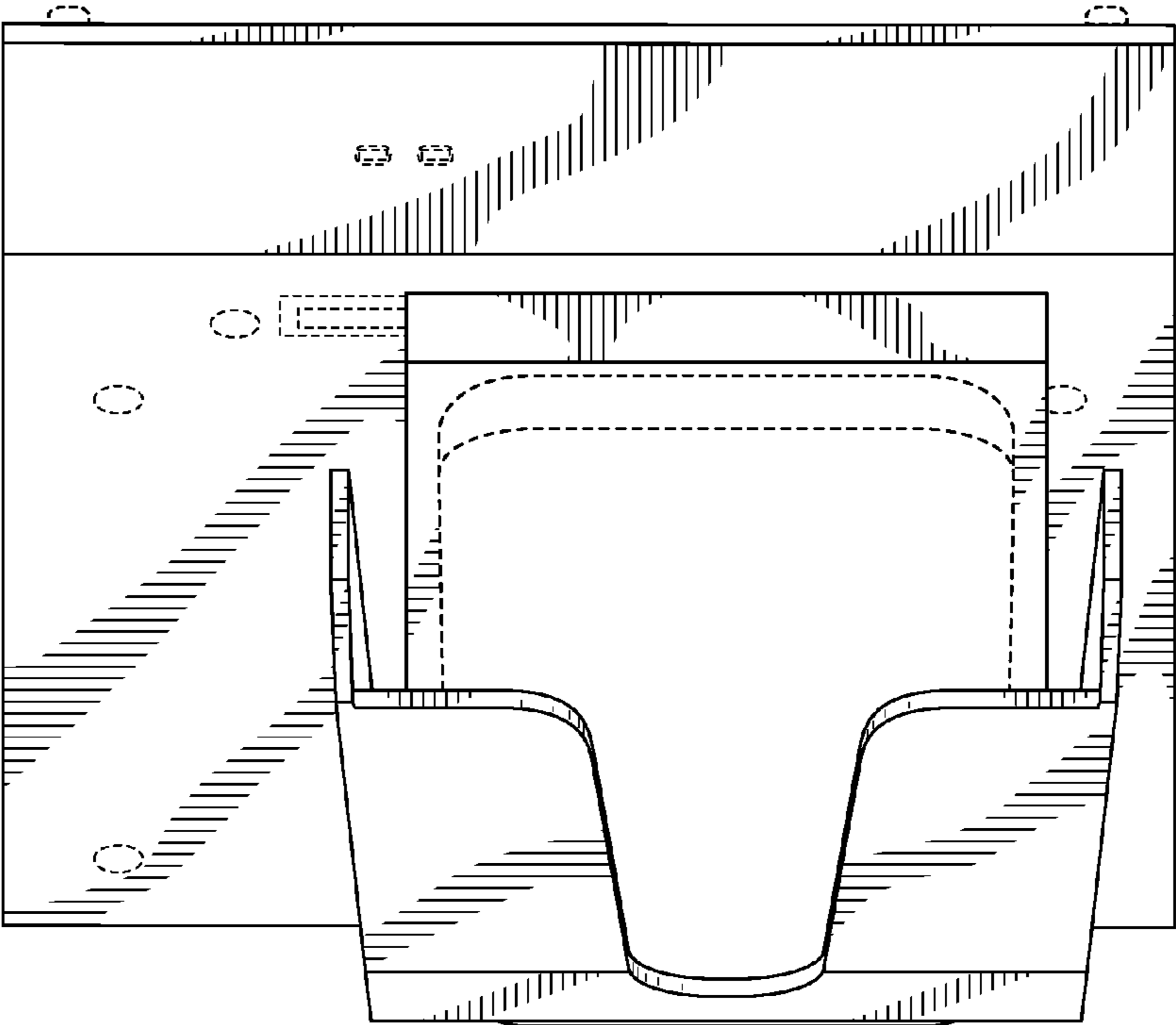


FIG. 4

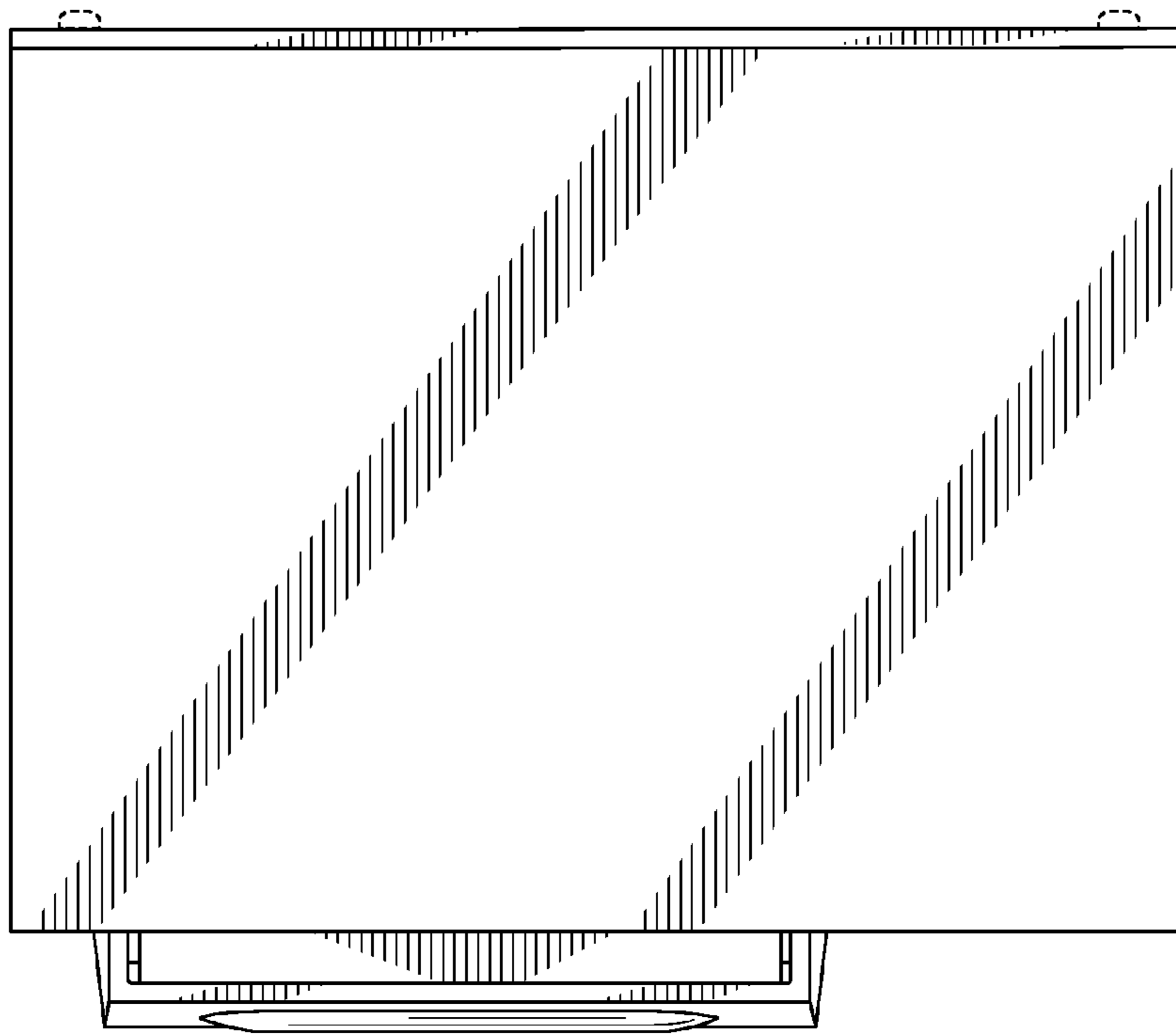


FIG. 5

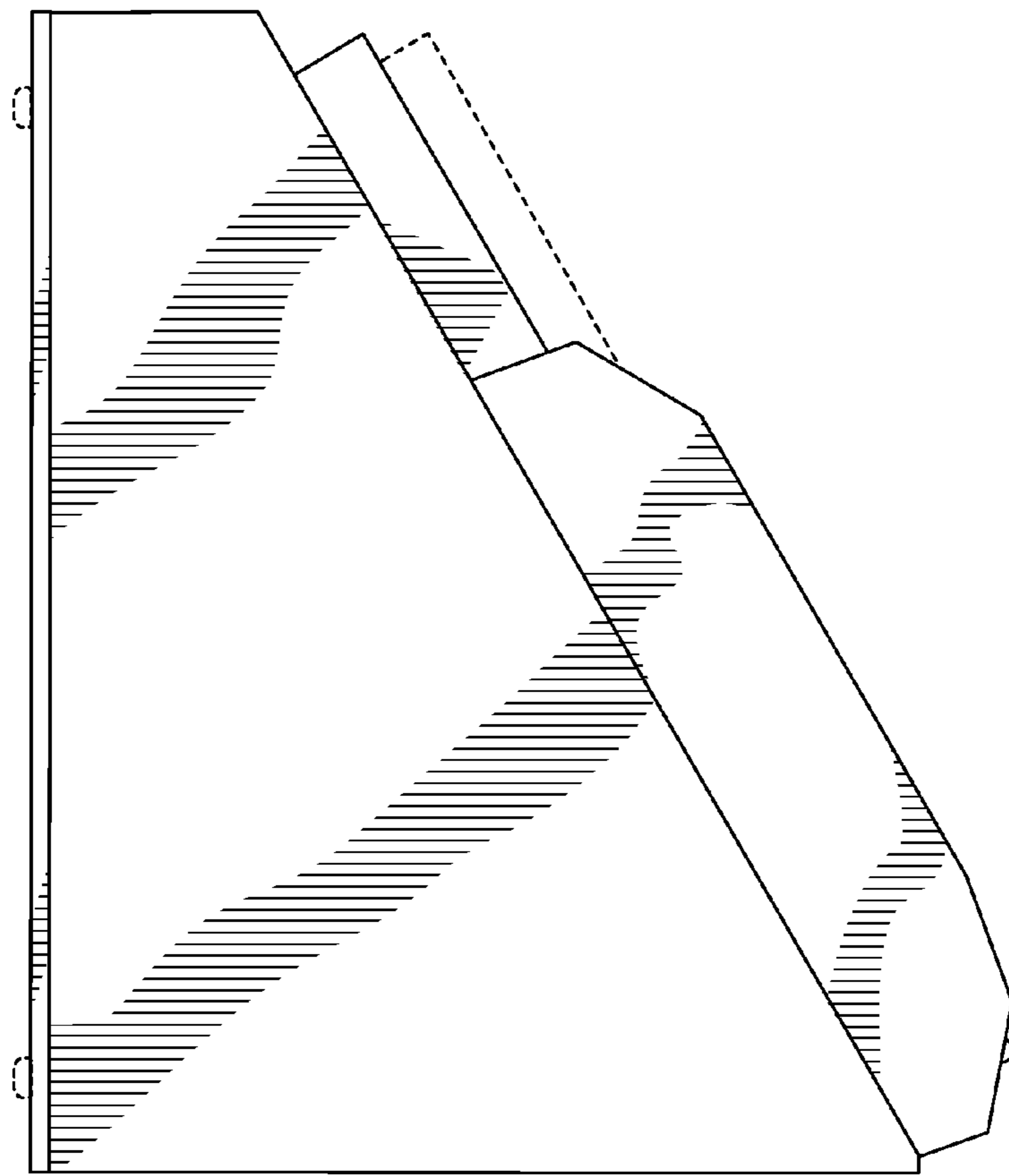


FIG. 6

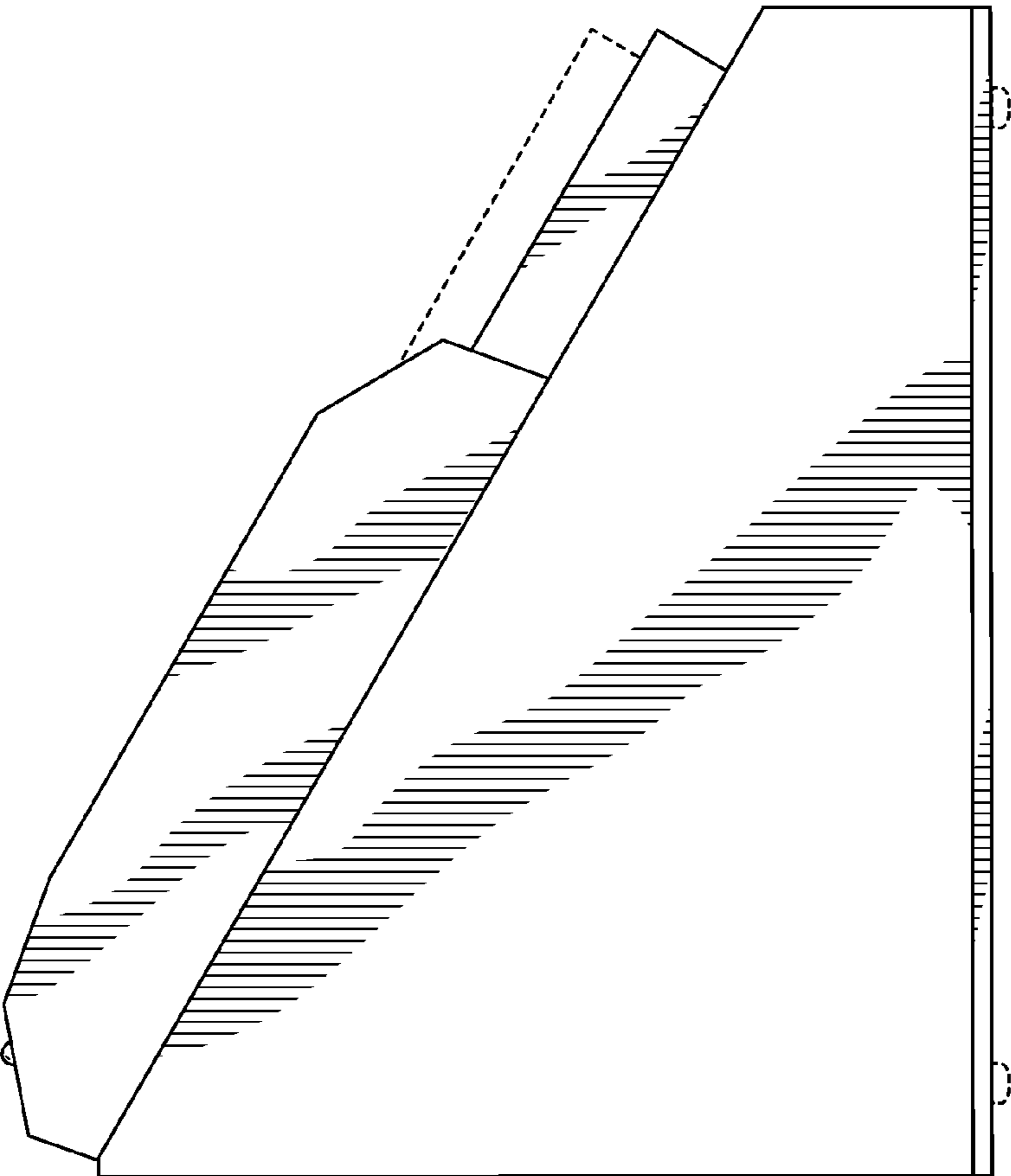


FIG. 7