



US00D715276S

(12) **United States Design Patent**
Davis et al.

(10) **Patent No.:** **US D715,276 S**
(45) **Date of Patent:** **** Oct. 14, 2014**

(54) **TELEVISION STAND WITH MOUNT**

6,923,413 B2 8/2005 Dozier
D517,349 S 3/2006 Lara
D524,080 S 7/2006 Stenhouse

(71) Applicant: **Walker Edison Furniture Company, LLC, Salt Lake City, UT (US)**

(Continued)

(72) Inventors: **Matthew Davis, Murray, UT (US); Brad Bonham, Draper, UT (US)**

FOREIGN PATENT DOCUMENTS

CN 201055124 8/2007

(73) Assignee: **Walker Edison Furniture Company, LLC, Salt Lake City, UT (US)**

OTHER PUBLICATIONS

(**) Term: **14 Years**

BBXLV54TU—Best Buy 3-IN-1 Vision 54" Console, at http://www.showuhow.com/Home/Pre_sale_widget/Pre_sale_widgetBestBuy/tabid/2124/language/en-US/Default.aspx, on information and belief available as early as Jul. 4, 2013.

(21) Appl. No.: **29/462,217**

(Continued)

(22) Filed: **Jul. 31, 2013**

Primary Examiner — Randall Gholson

(51) **LOC (10) Cl.** **14-03**

(74) *Attorney, Agent, or Firm* — Workman Nydegger

(52) **U.S. Cl.**

(57) **CLAIM**

USPC **D14/239**

The ornamental design for a television stand with mount, as shown and described.

(58) **Field of Classification Search**

DESCRIPTION

USPC D14/239, 168, 188, 197, 198, 371, D14/374-377, 496-510; 312/7.1, 7.2; 348/836, 838, 180, 184, 325, 739, 825, 348/827; 341/12; 349/58; 720/600, 619, 720/646, 647, 655; 455/347-351; 369/75.11, 75.21; D6/474-499, 407, D6/460, 461, 468; 248/465, 917-924, 248/123.11; 600/41.12, 42, 49.1, 50, 85.2, 600/90.04, 187, 190, 119.003, 134.153, 600/87.01, 71.01; 211/87.01

FIG. 1 is a front perspective view of a television stand with mount;
FIG. 2 is a front view thereof;
FIG. 3 is a back view thereof;
FIG. 4 is a left view thereof, the right side being a mirror image thereof;
FIG. 5 is a top view thereof;
FIG. 6 is a bottom view thereof;
FIG. 7 is a rear perspective view thereof;
FIG. 8 is a front exploded perspective view thereof;
FIG. 9 is a front exploded view thereof;
FIG. 10 is a back exploded view thereof;
FIG. 11 is a left exploded view thereof, the right side being a mirror image thereof; and,
FIG. 12 is a rear exploded perspective view thereof.
The broken lines shown in the drawings show unclaimed subject matter only and form no part of the claimed design.

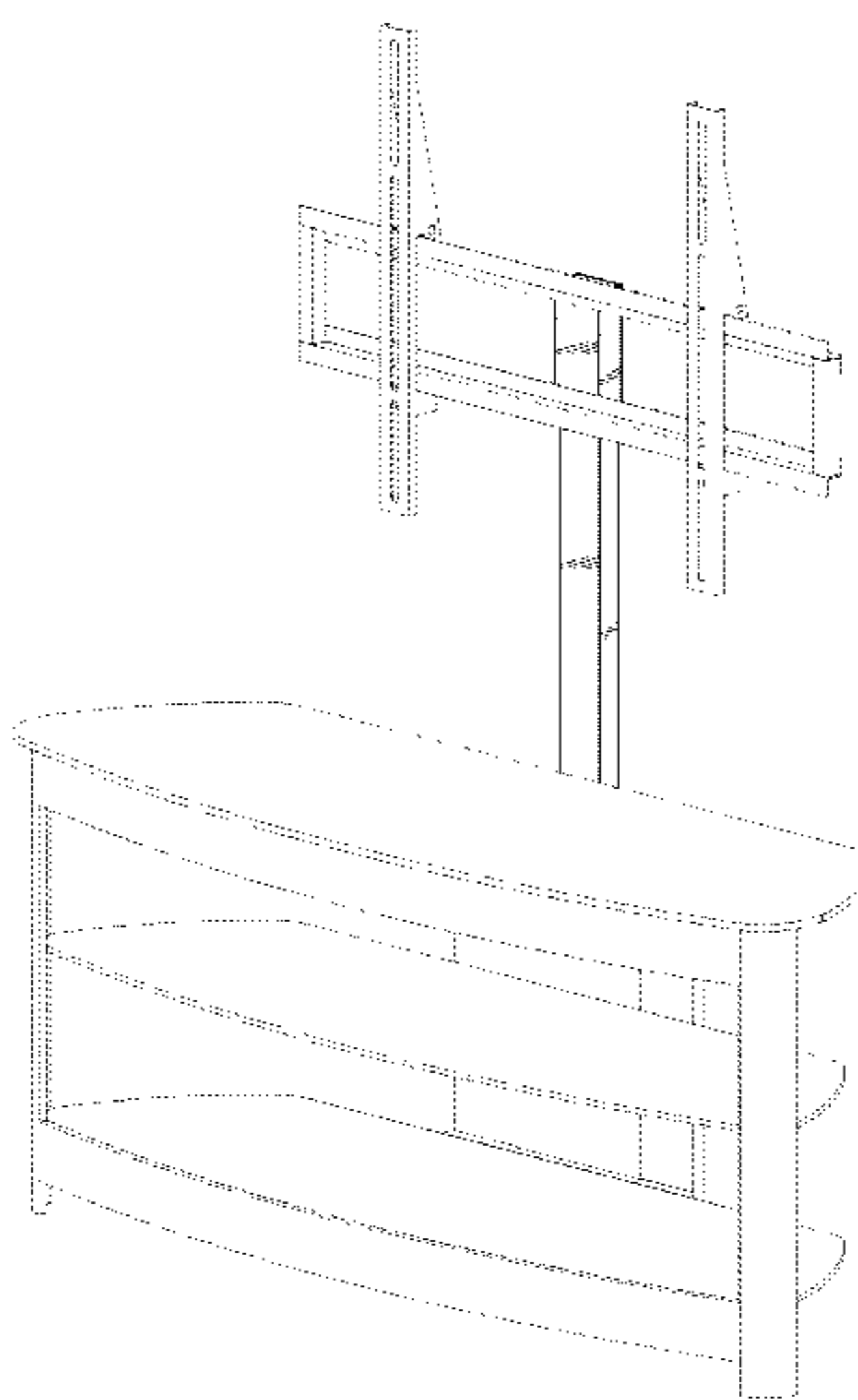
See application file for complete search history.

(56) **References Cited**

U.S. PATENT DOCUMENTS

D454,731 S 3/2002 Niitsu
D458,053 S 6/2002 Luong
D480,237 S 10/2003 de Carolis
6,672,465 B2 1/2004 White
6,905,101 B1 6/2005 Dittmer
D507,900 S 8/2005 Sexton
D508,801 S 8/2005 Holst

1 Claim, 11 Drawing Sheets



(56)

References Cited

U.S. PATENT DOCUMENTS

7,178,775	B2	2/2007	Pfister	
D539,565	S	4/2007	Sexton	
D564,261	S	3/2008	Sculler	
D565,054	S	3/2008	Anderson	
D566,426	S	4/2008	Stenhouse	
7,530,538	B2	5/2009	Whalen	
D604,962	S *	12/2009	Daud	D6/477
8,079,311	B2	12/2011	Whalen	
8,191,485	B1	6/2012	Whalen	
8,561,551	B2 *	10/2013	Whalen et al.	108/42
8,602,366	B2 *	12/2013	Chen et al.	248/125.7
2002/0011544	A1	1/2002	Bosson	
2004/0084579	A1	5/2004	Lee	
2007/0246629	A1	10/2007	Saxton	
2007/0252919	A1 *	11/2007	McGreevy	348/825
2008/0156949	A1	7/2008	Sculler	
2011/0079688	A1	4/2011	Grove	
2011/0101179	A1	5/2011	Fritch	

OTHER PUBLICATIONS

2-Shelf Corner Flat Panel TV Stand with Post & Bracket, at <http://www.brookstone.com/2-shelf-corner-flat-panel-tv-stand-with-post-bracket>, on information and belief available as early as 2012.

TV Stand GO-2001, at <http://www.g-orbit.com/prod.php?file1=GO-2001-1.jpg&file2=XXX-1309764690.jpg>, on information and belief available as early as 2007.

Bello 52" Triple Playo Flat Panel Mounting System with Swivel and Wood Inlays, at <http://www.shopping.com/Bello-BELLO-52-TRIPLE-PLAYoe-FLAT-PANEL-MOUNTING-SYSTEM-WITH-SWIVEL-AND-WOOD-INLAYS-Bello/info?sb=1>, on information and belief available as early as Jul. 4, 2013.

Flat TV Stands are Height Adjustable from 44" to 71-1/2" & Include 19" Shelf, at <http://www.tvstandsonly.com/TSO-wide.asp?ID=15592>, on information and belief available as early as Jul. 4, 2013.

* cited by examiner

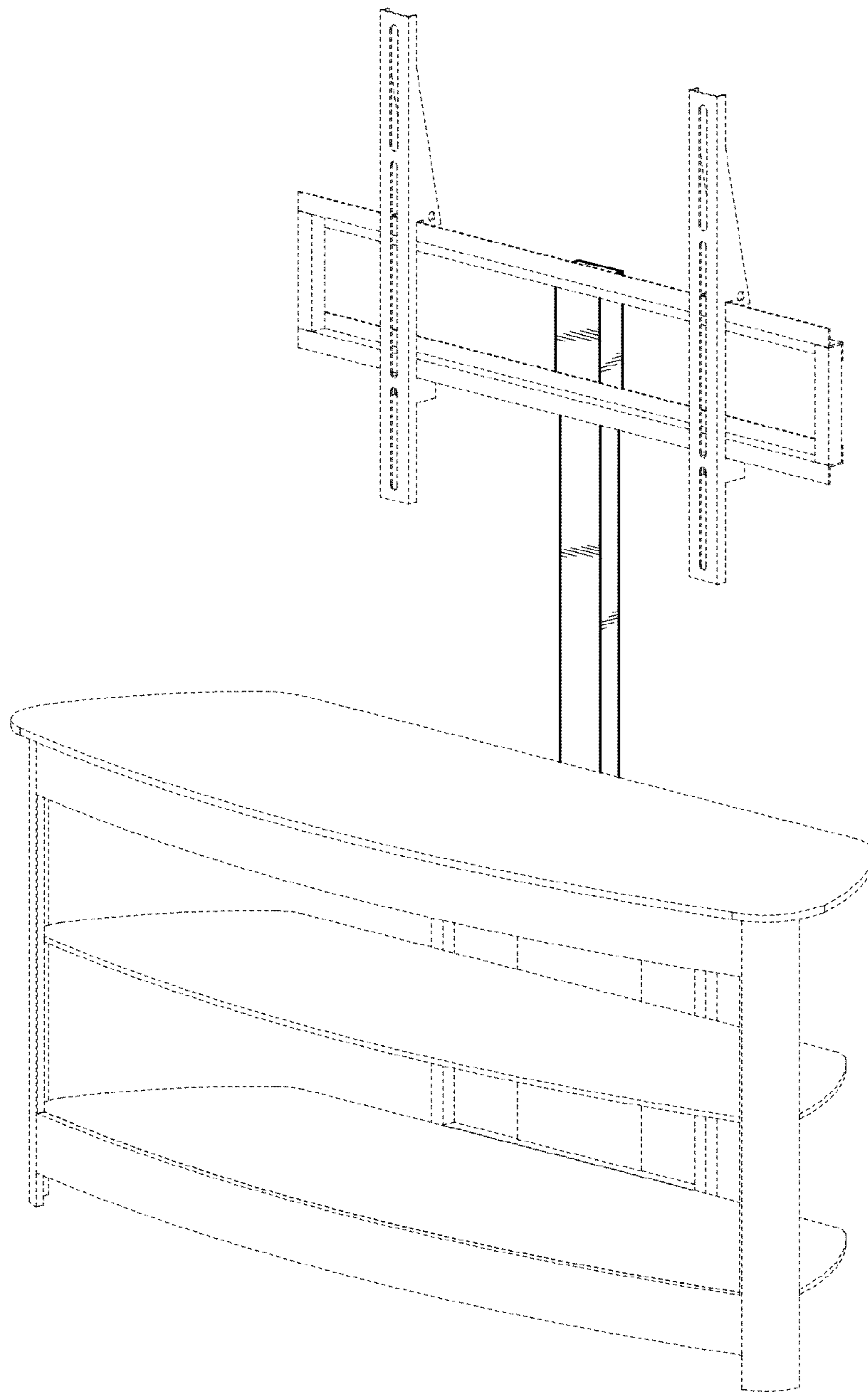


FIG. 1

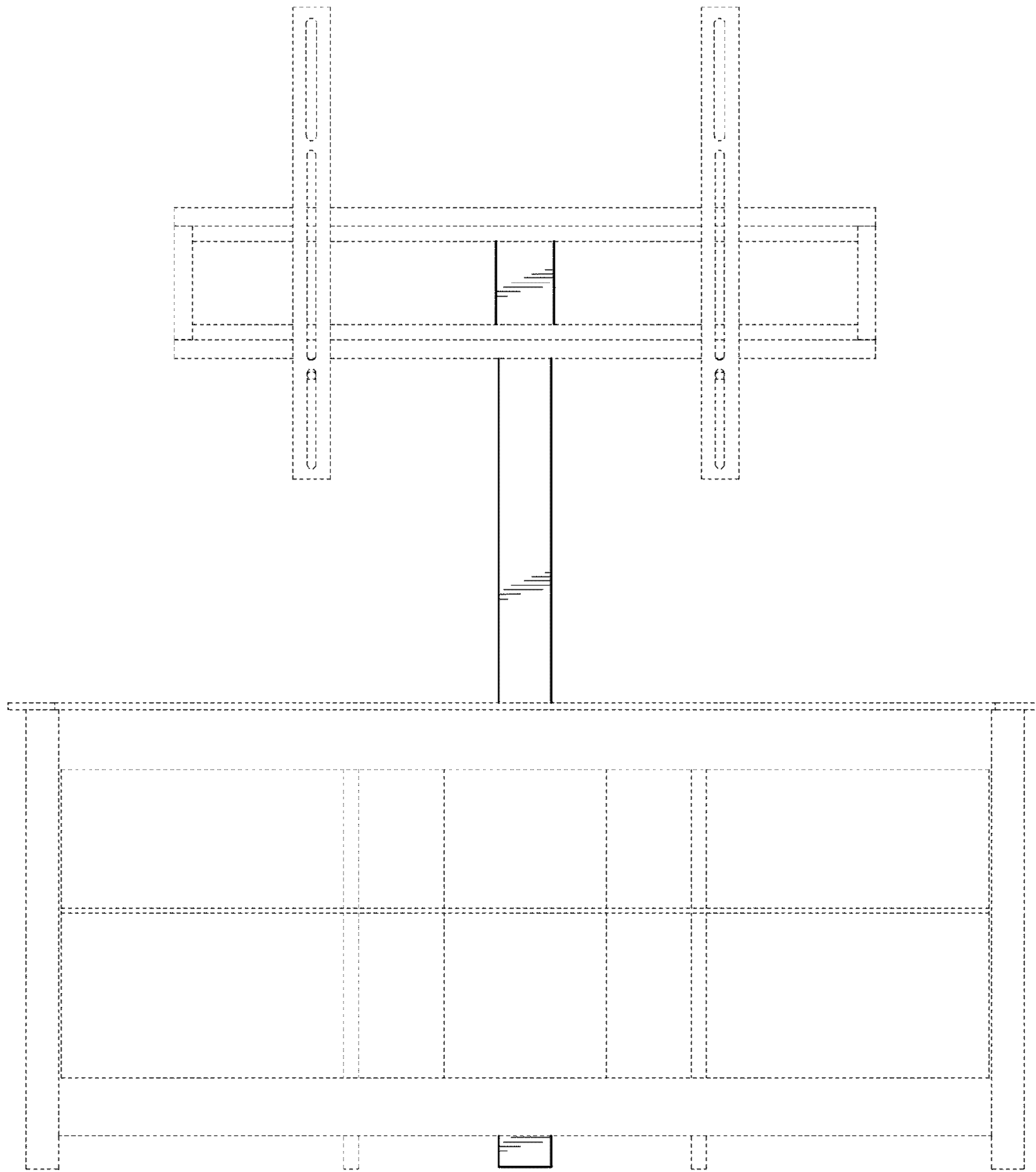


FIG. 2

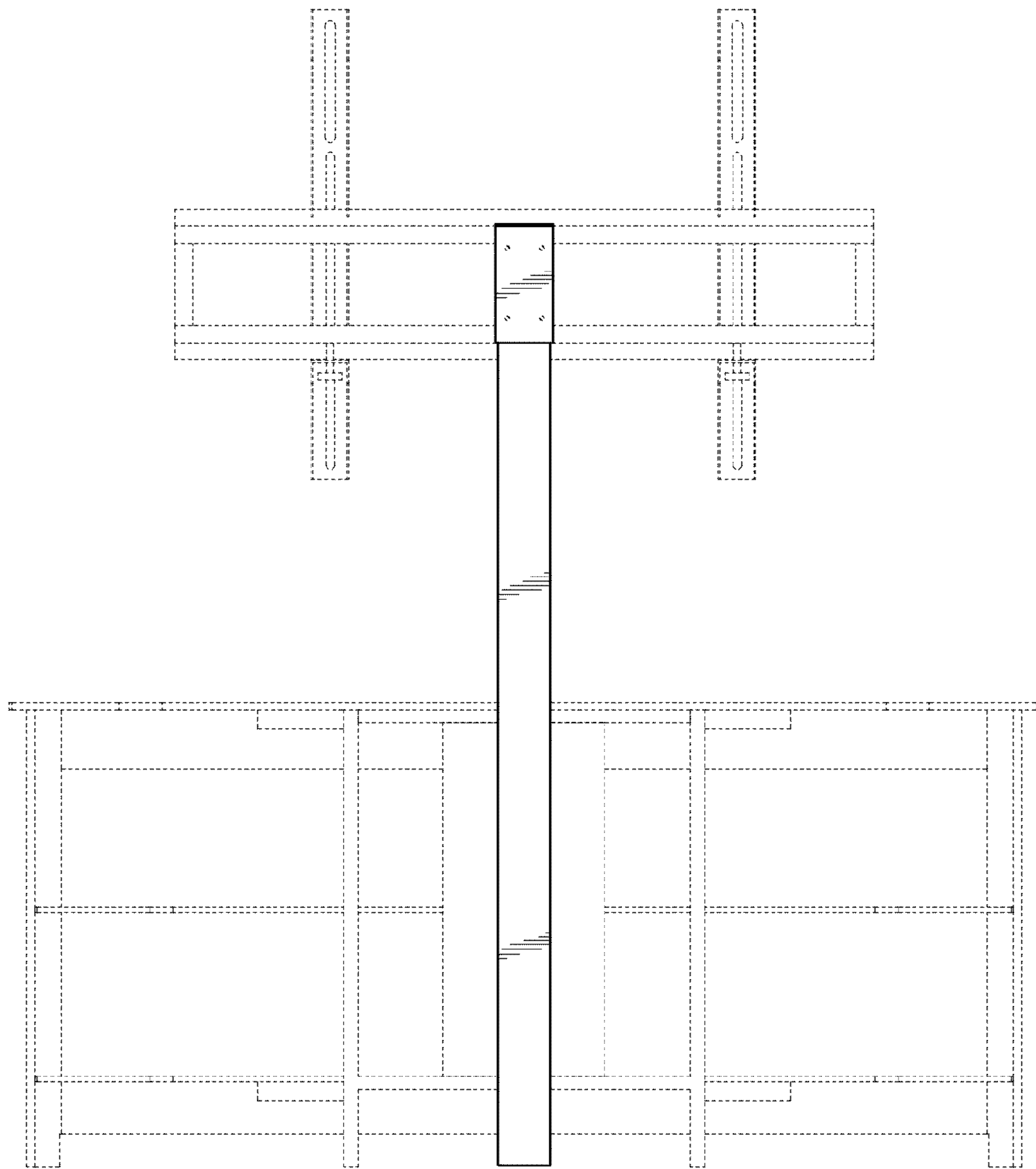


FIG. 3

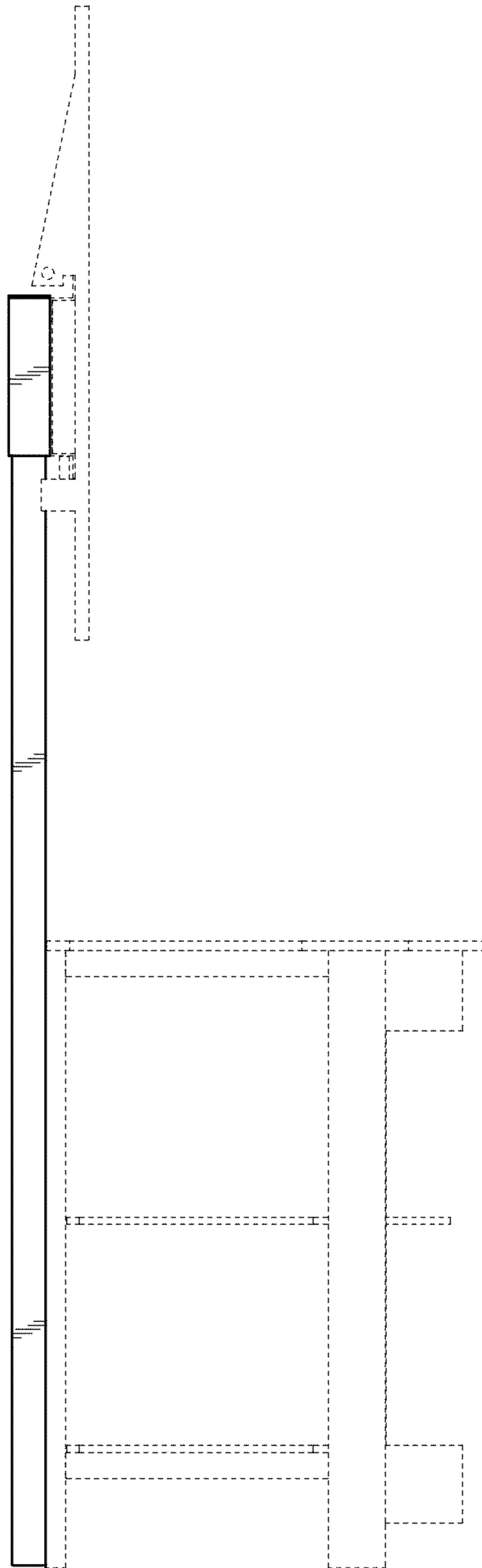


FIG. 4

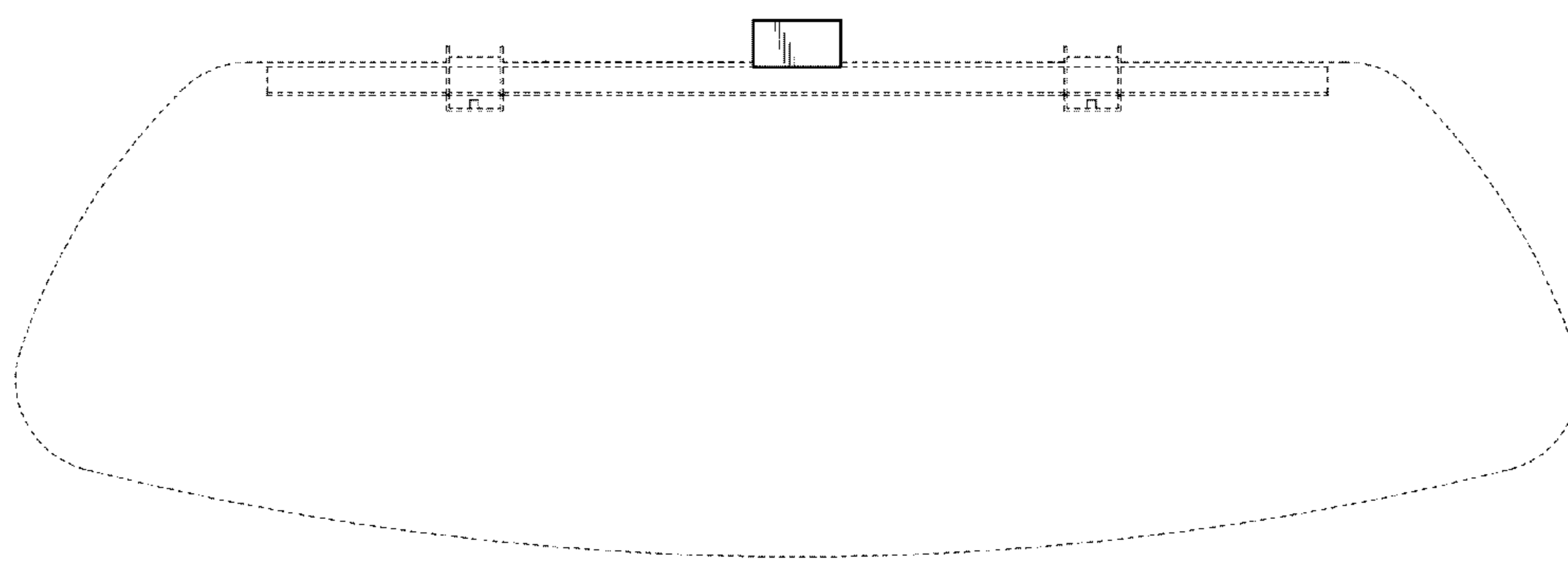


FIG. 5

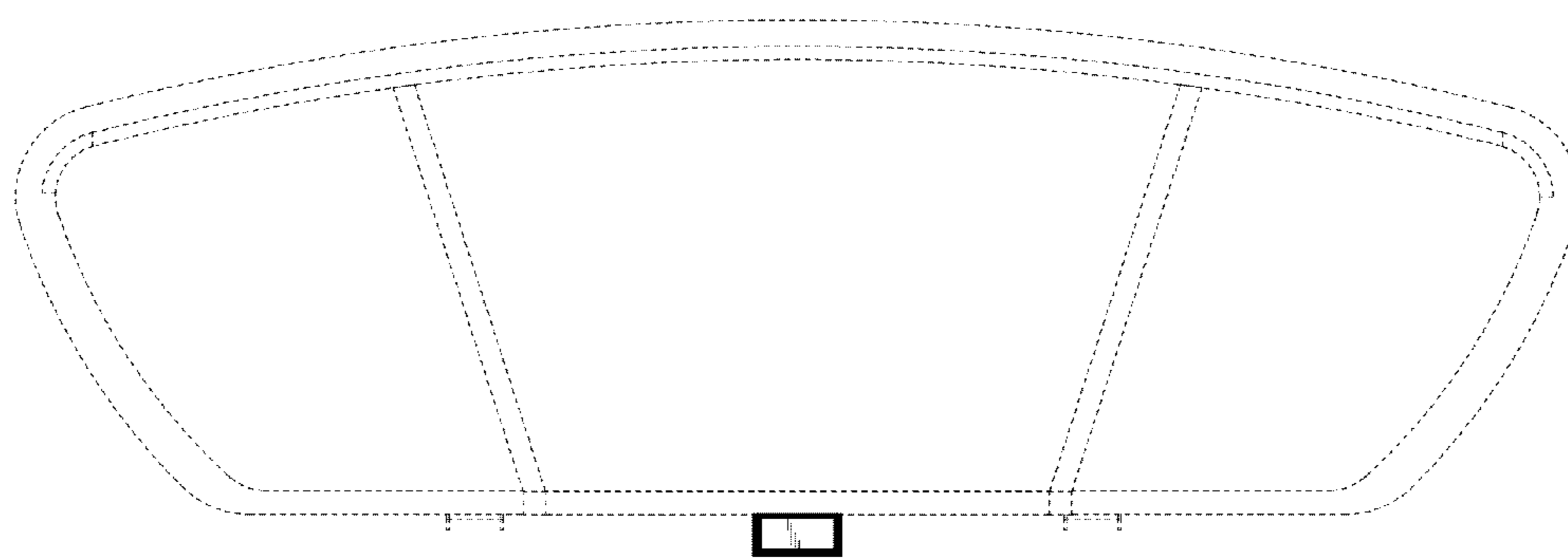


FIG. 6

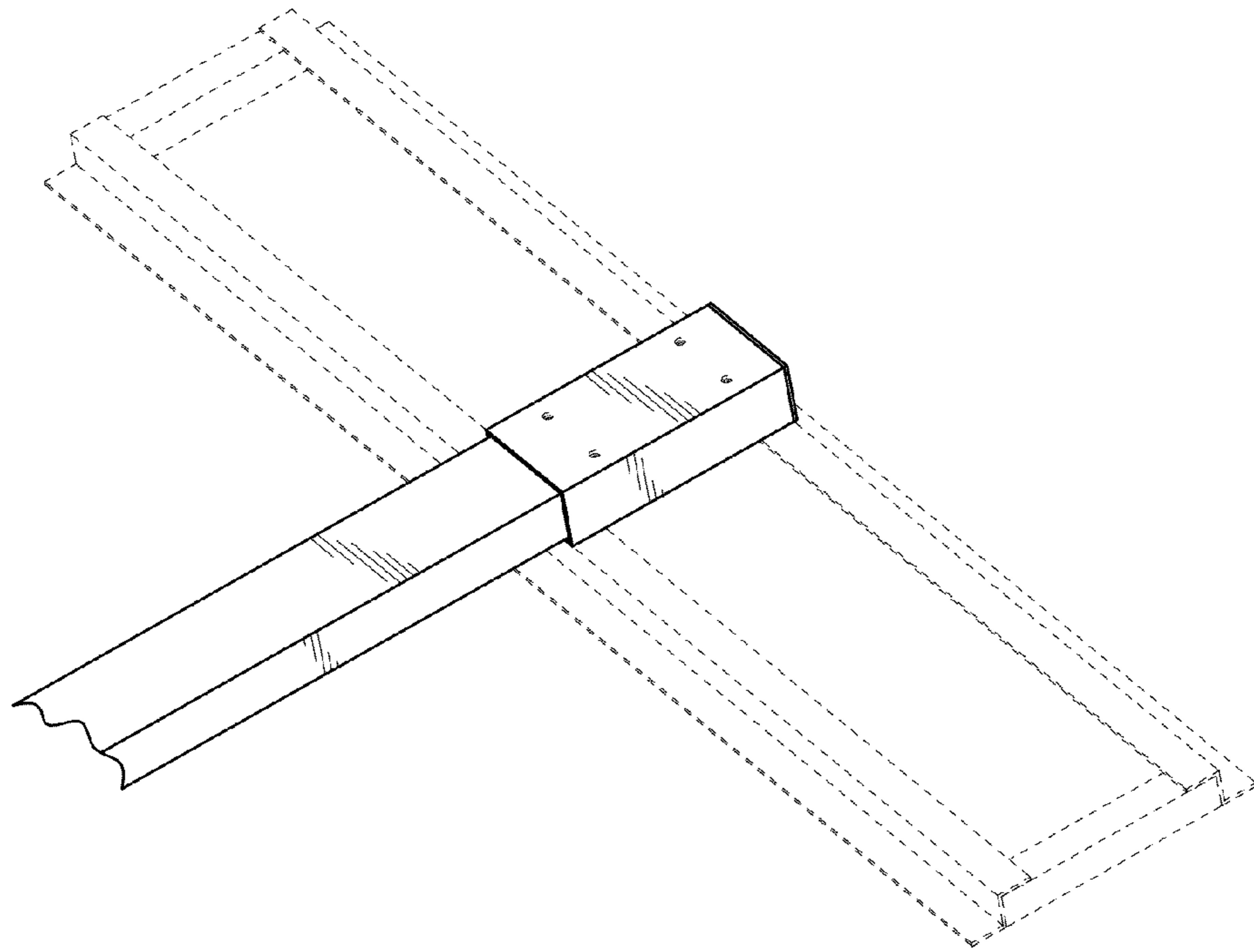


FIG. 7

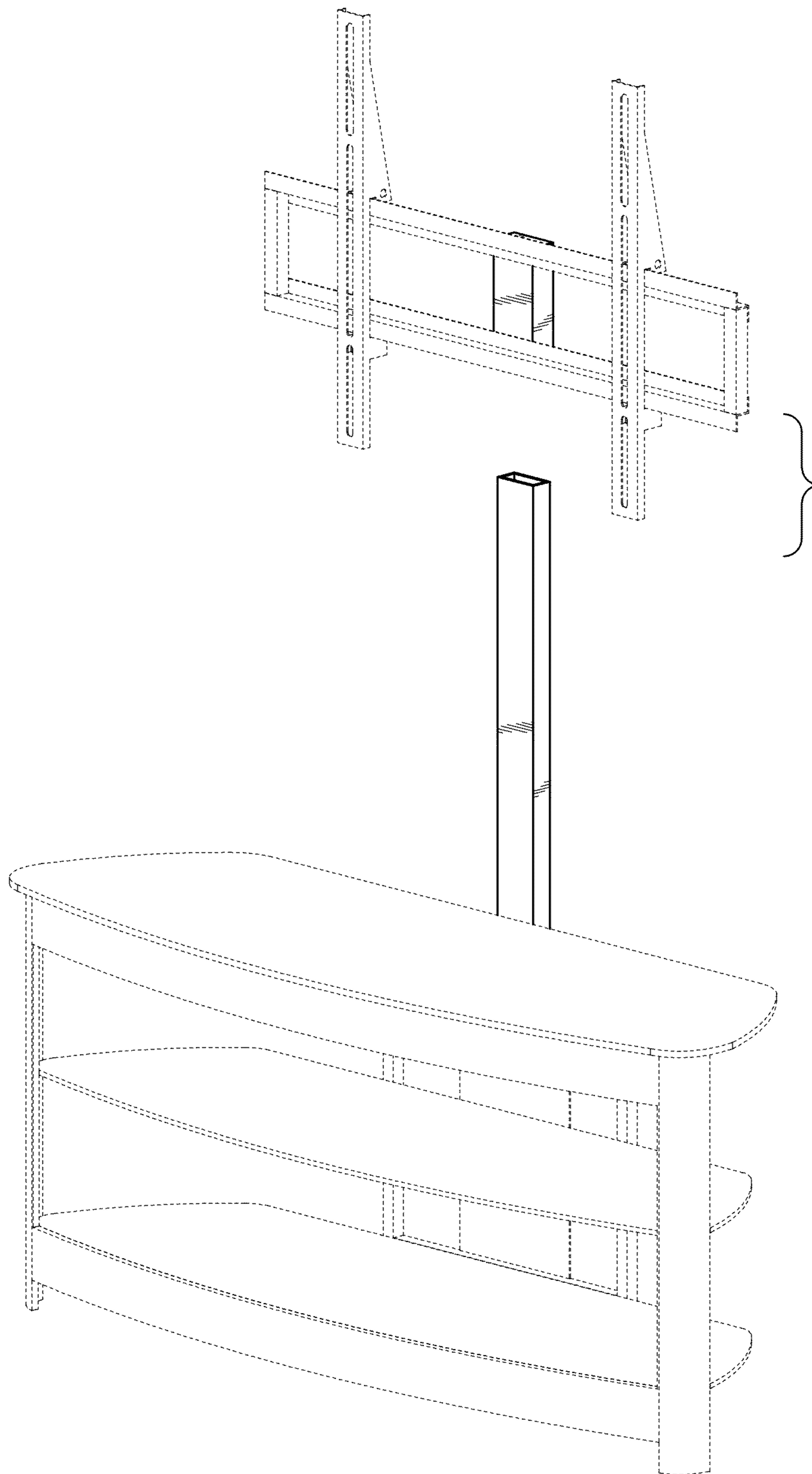


FIG. 8

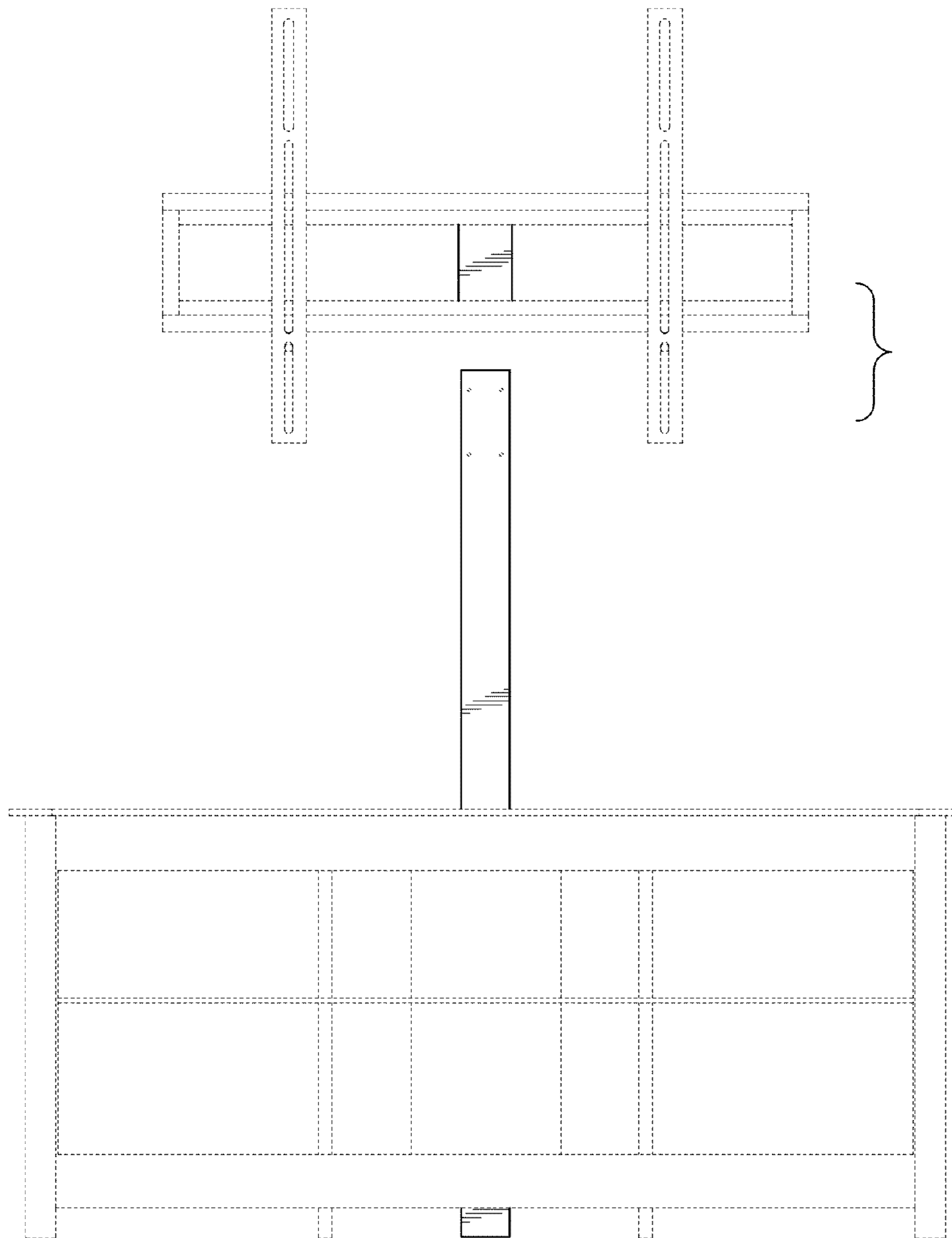


FIG. 9

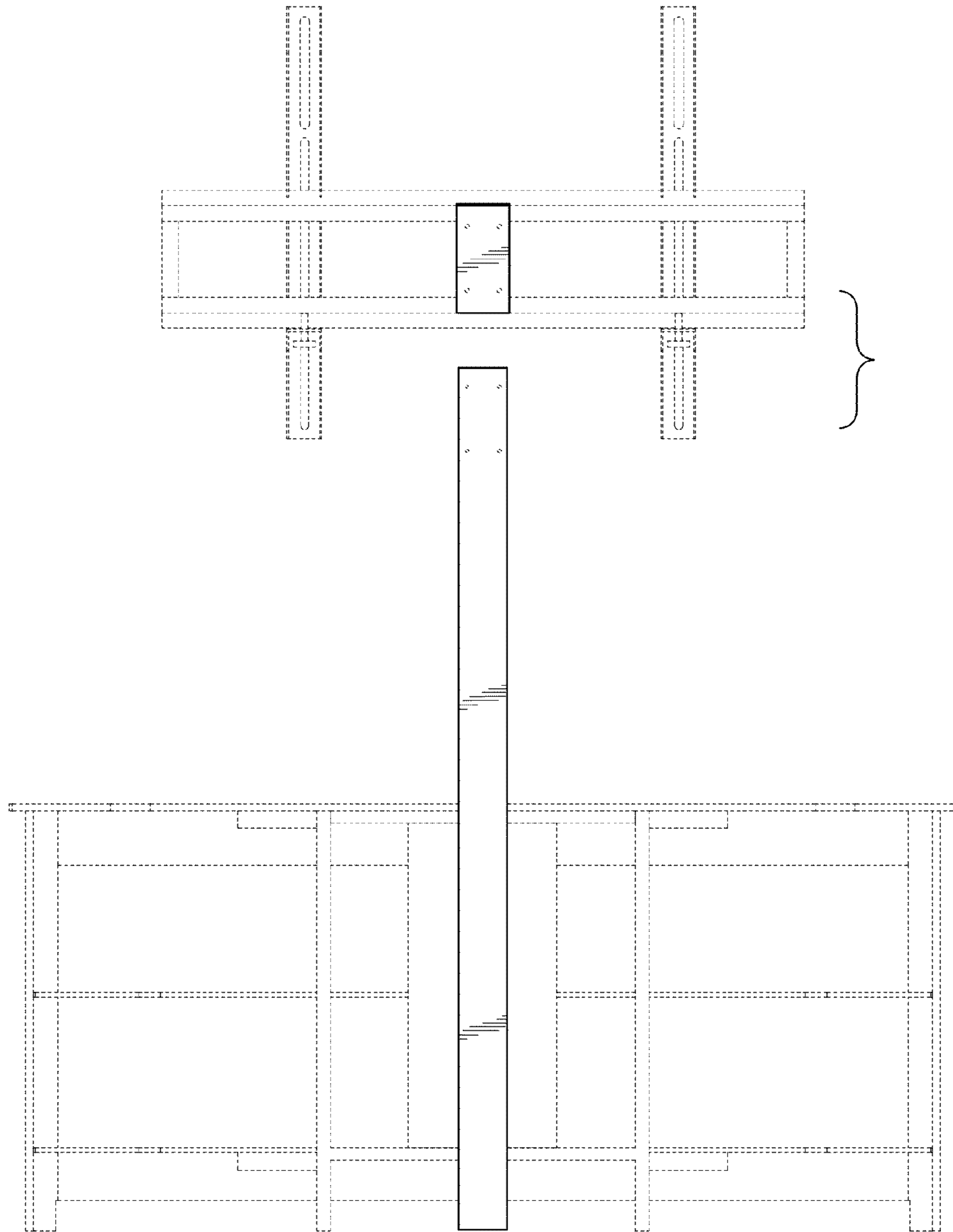


FIG. 10

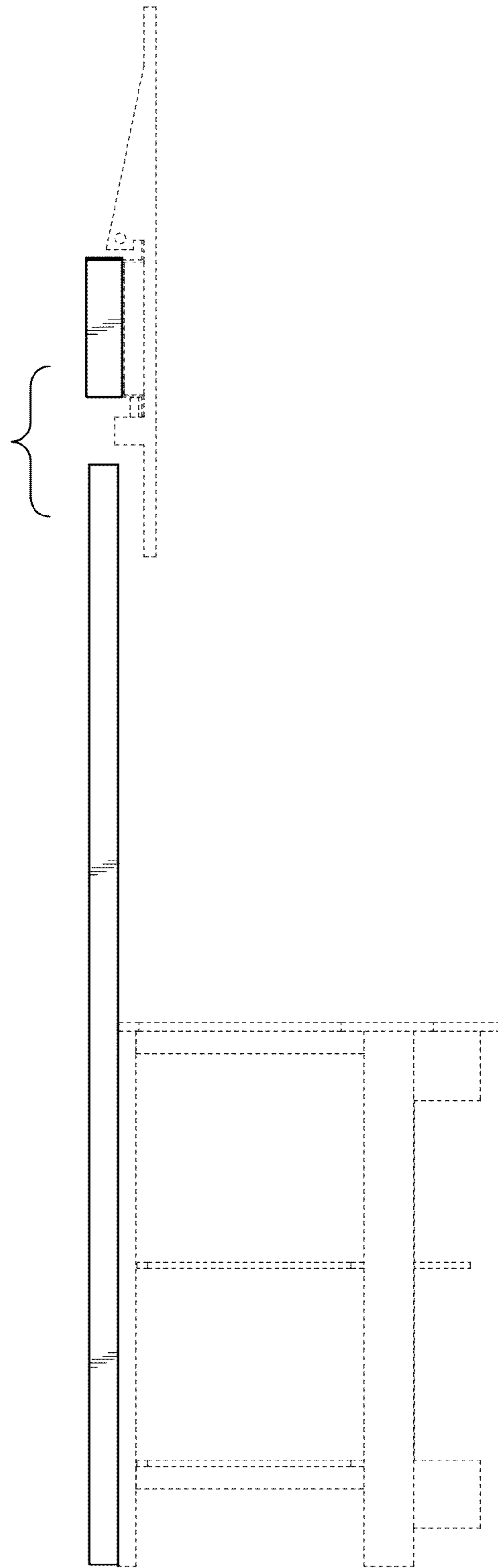


FIG. 11

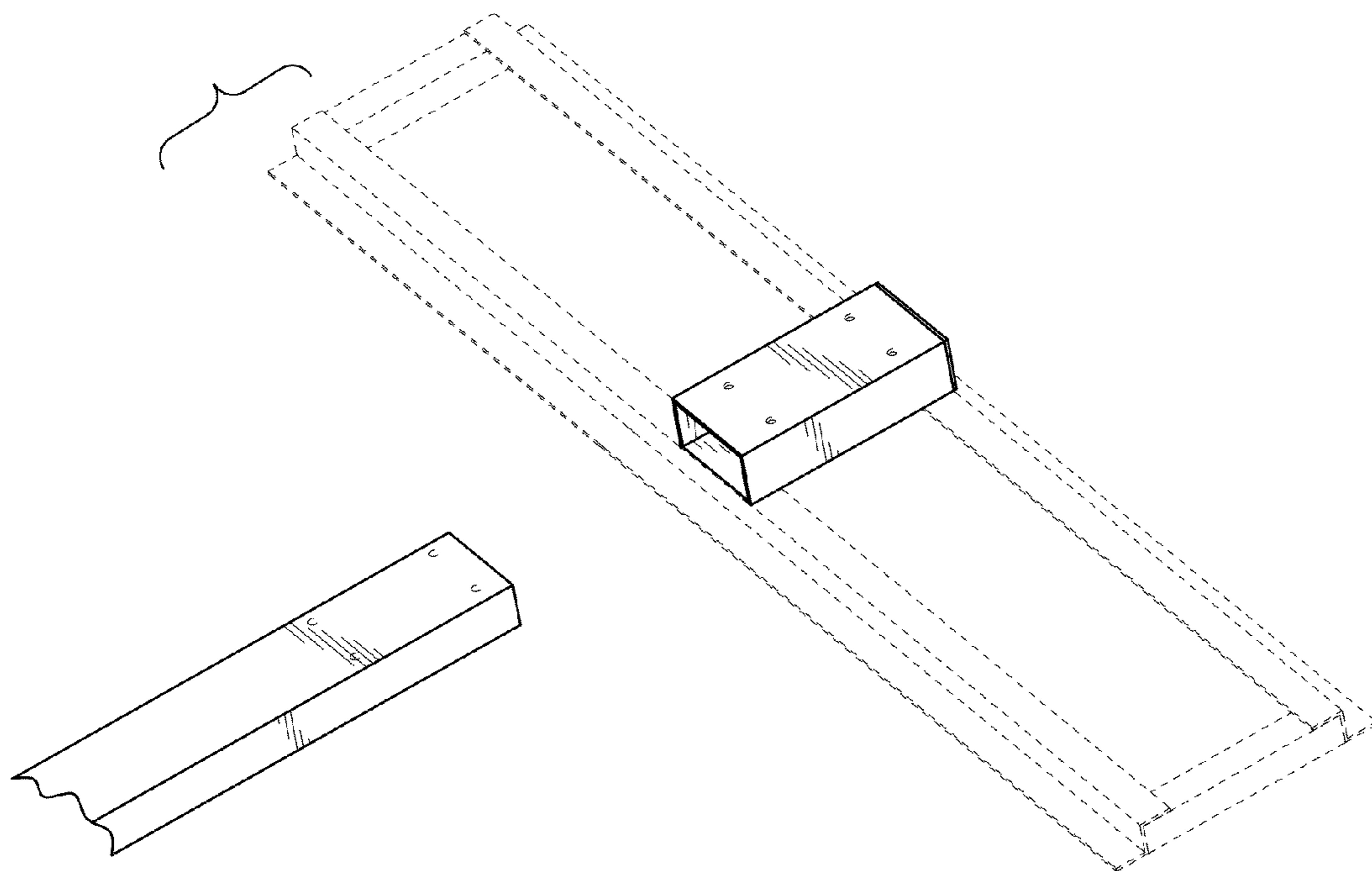


FIG. 12