



US00D715273S

(12) **United States Design Patent**
Holmen

(10) **Patent No.:** **US D715,273 S**
(45) **Date of Patent:** **** Oct. 14, 2014**

(54) **MICROPHONE BOOM**

(71) Applicant: **Erik Holmen**, Sarasota, FL (US)

(72) Inventor: **Erik Holmen**, Sarasota, FL (US)

(**) Term: **14 Years**

(21) Appl. No.: **29/449,494**

(22) Filed: **Mar. 15, 2013**

(51) **LOC (10) Cl.** **14-01**

(52) **U.S. Cl.**
USPC **D14/229**

(58) **Field of Classification Search**

USPC D14/225, 226, 229; D8/355, 394, 396;
D17/22; D16/245; 84/730; 248/183.1,
248/183.2, 278.1, 229.12, 229.15, 229.25,
248/55, 57, 288.31; 381/365, 368, 355,
381/356, 359, 382, 370, 375, 361, 362, 363,
381/174; 455/95

See application file for complete search history.

(56) **References Cited**

U.S. PATENT DOCUMENTS

4,378,172 A * 3/1983 Groschupp 403/104
D290,963 S * 7/1987 Groschupp D16/244
D344,969 S * 3/1994 Nakatani D16/244
D450,339 S * 11/2001 Eason D16/244

D607,037 S * 12/2009 Lee D16/244
D617,781 S * 6/2010 Kallas et al. D14/226
D672,229 S * 12/2012 Reid D8/396

* cited by examiner

Primary Examiner — Thomas Johannes

Assistant Examiner — Holly E Thurman

(74) *Attorney, Agent, or Firm* — Law Office of Stacy Matulis

(57) **CLAIM**

I claim the ornamental design for a microphone boom, as shown and described.

DESCRIPTION

FIG. 1 is a top right isometric view of a boom showing my design with the boom tilted upward;
FIG. 2 is a right side view thereof (tilted upward as in FIG. 1);
FIG. 3 is a left side view thereof (tilted upward as in FIG. 1);
FIG. 4 is a perspective front bottom view thereof (tilted upward as in FIG. 1);
FIG. 5 is a perspective rear top view thereof (tilted upward as in FIG. 1);
FIG. 6 is a top view thereof (tilted upward as in FIG. 1); and,
FIG. 7 is a bottom view thereof (tilted upward as in FIG. 1).
The broken linen portion of the figure drawings is included to show unclaimed subject matter only and forms no part of the claimed design.

1 Claim, 7 Drawing Sheets

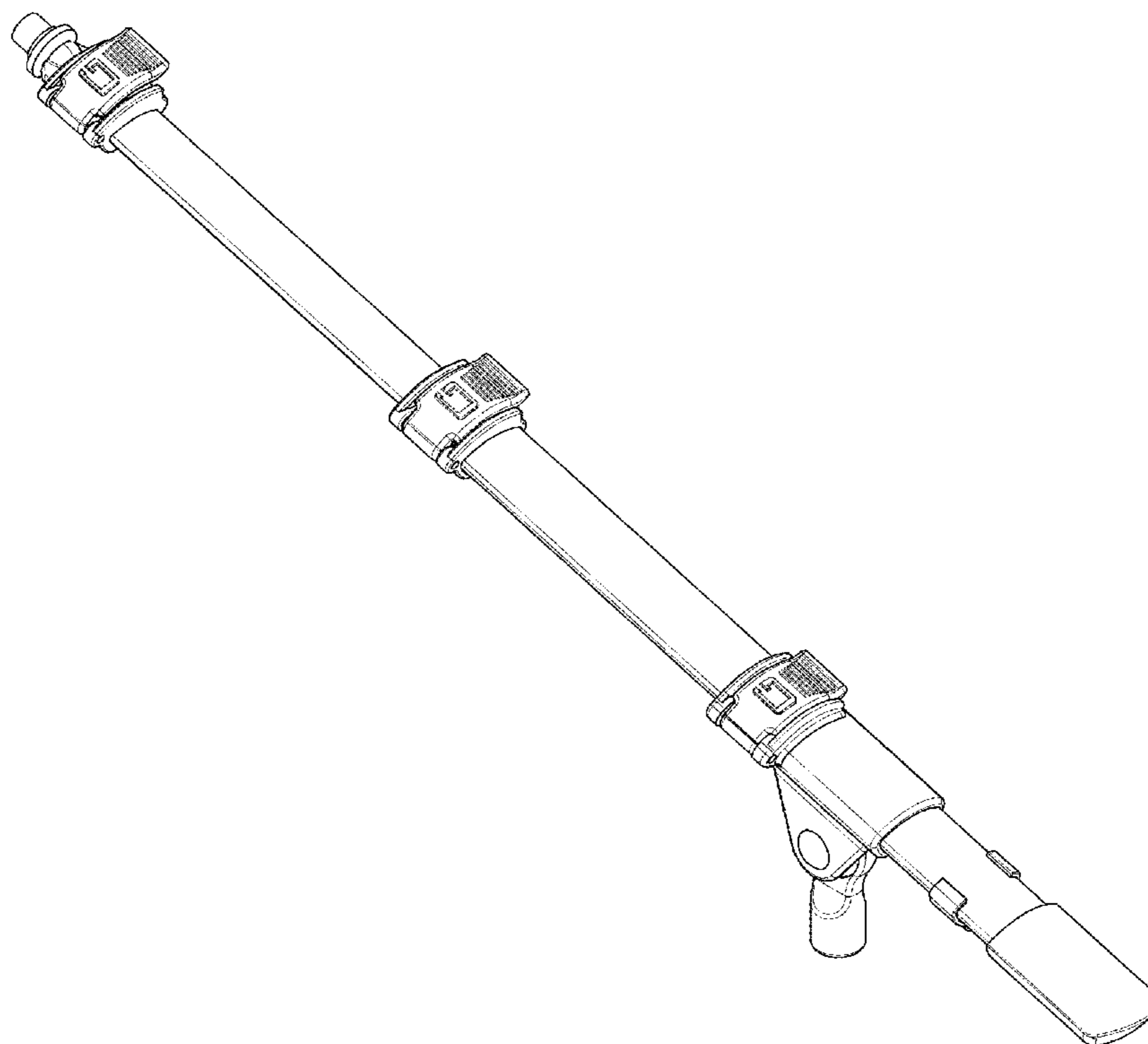


FIG. 1

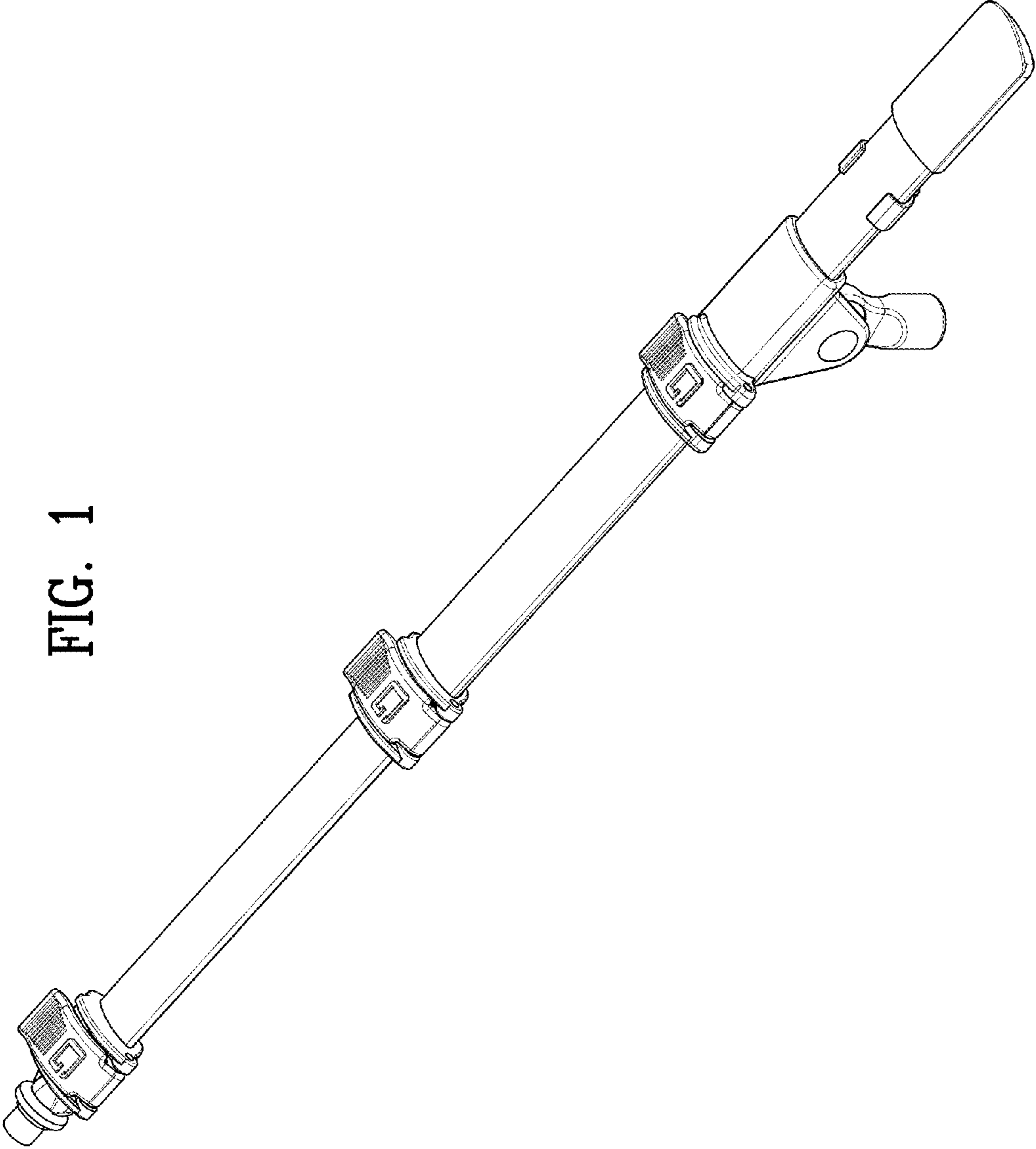


FIG. 2

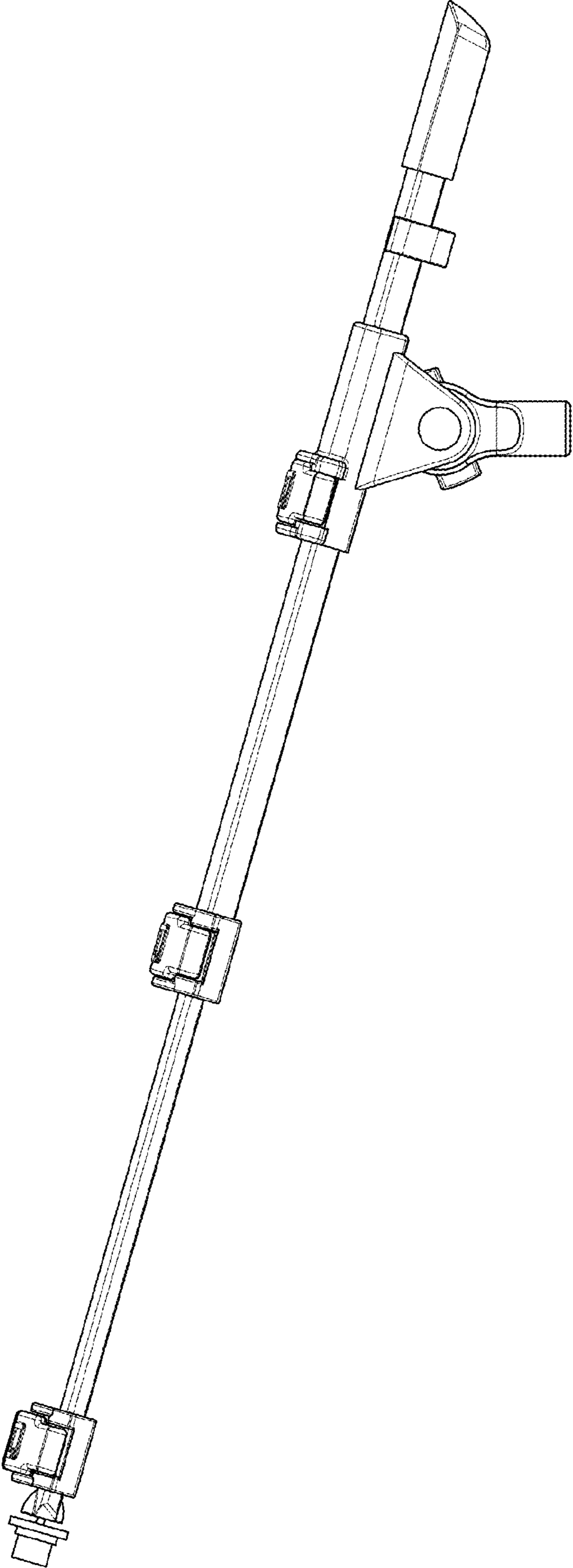


FIG. 3

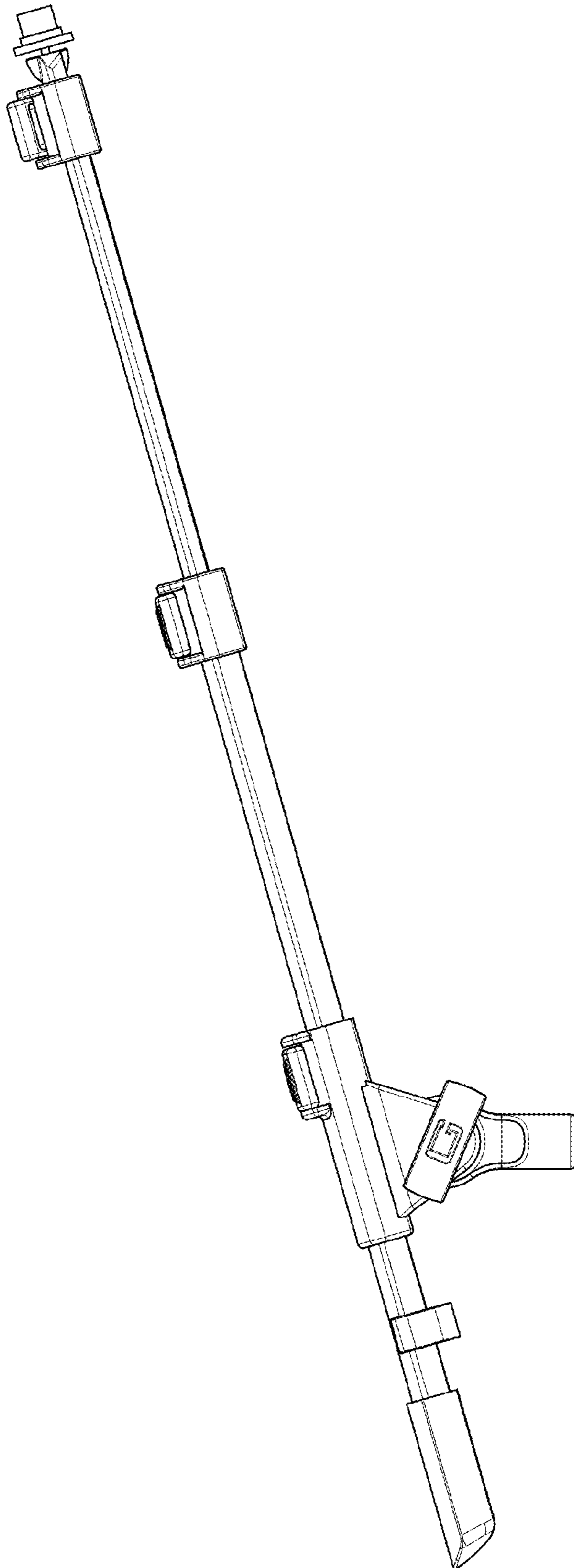


FIG. 4

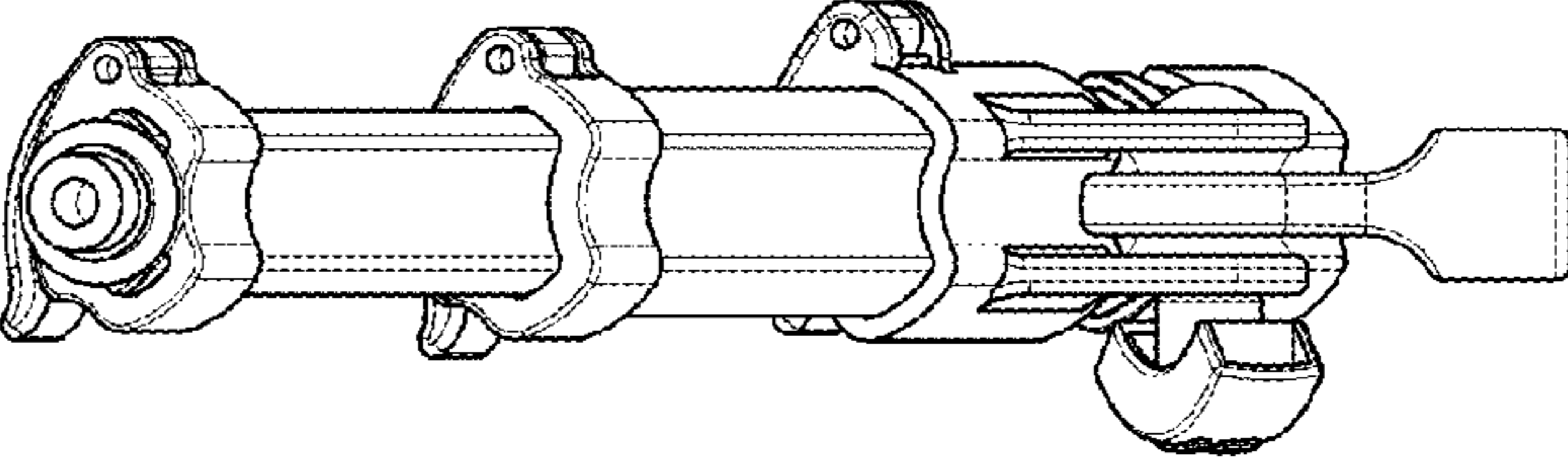


FIG. 5

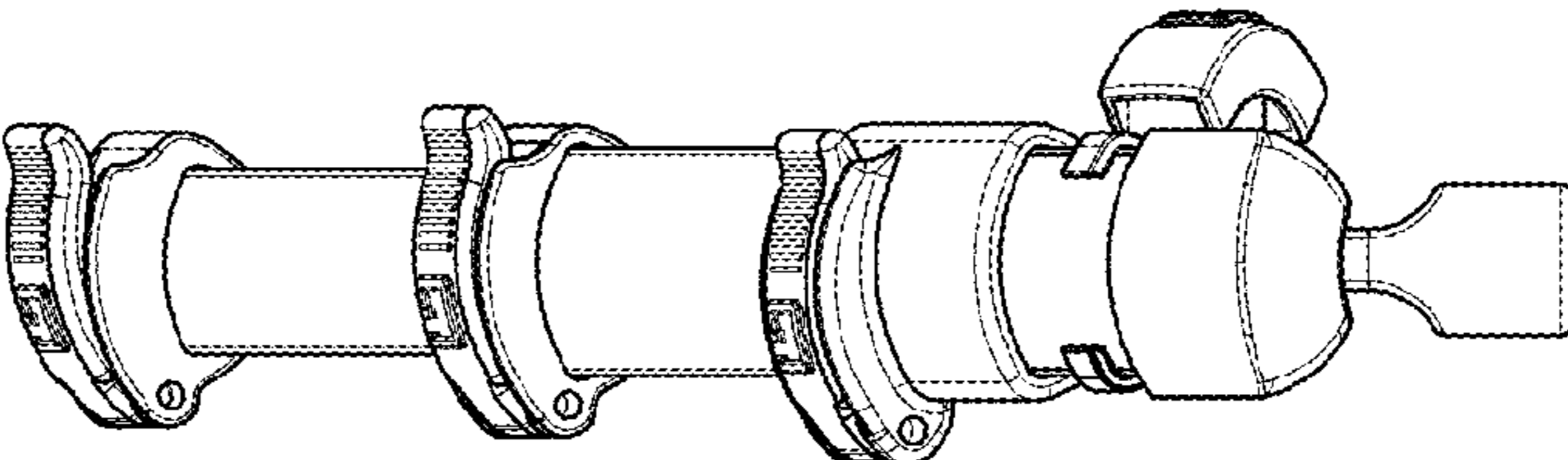


FIG. 6

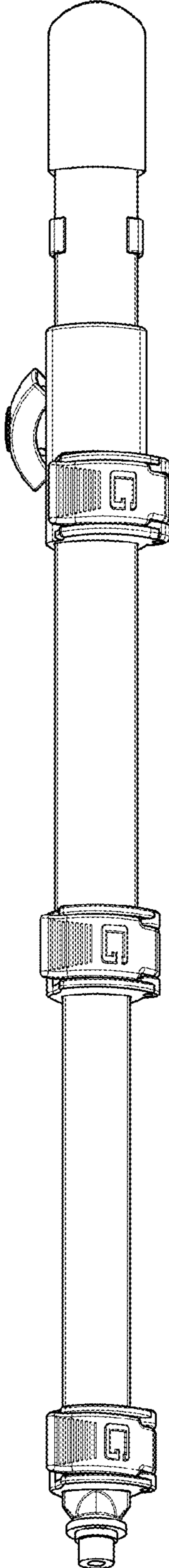


FIG. 7

