



US00D715272S

(12) **United States Design Patent**
Burton

(10) **Patent No.:** **US D715,272 S**
(45) **Date of Patent:** **** Oct. 14, 2014**

(54) **EARBUD ADAPTER**

(71) Applicant: **Burton Technologies, LLC**, Ludington, MI (US)

(72) Inventor: **John E. Burton**, Ludington, MI (US)

(73) Assignee: **Burton Technologies, LLC**, Ludington, MI (US)

(**) Term: **14 Years**

(21) Appl. No.: **29/466,623**

(22) Filed: **Sep. 10, 2013**

(51) **LOC (10) Cl.** **14-01**

(52) **U.S. Cl.**
USPC **D14/223**

(58) **Field of Classification Search**
CPC H04R 1/1016
USPC D14/223, 205, 206; D24/106, 174;
D29/112; 128/864, 865, 868; 181/129,
181/130, 135; 379/430, 431; 381/322, 328,
381/380, 381, 371

See application file for complete search history.

(56) **References Cited**

U.S. PATENT DOCUMENTS

D104,571 S	5/1937	Kurman	
2,246,737 A *	6/1941	Knudsen	128/865
2,427,664 A *	9/1947	Dunbar et al.	128/867
2,430,229 A *	11/1947	Kelsey	381/338
2,487,038 A *	11/1949	Baum	181/135
2,508,918 A	5/1950	Hines, Jr.	
2,619,960 A	12/1952	Reynolds	
2,670,738 A	3/1954	Gibbons	
2,939,923 A	6/1960	Henderson	
3,080,011 A *	3/1963	Henderson	181/135
D195,322 S	5/1963	Hill	
3,539,031 A	11/1970	Scanlon	
3,800,791 A *	4/1974	Visor	128/864
D253,723 S *	12/1979	Leight	D24/106

4,353,364 A *	10/1982	Woods	128/867
4,677,679 A	6/1987	Killion	
4,763,753 A	8/1988	Killion	
4,852,683 A	8/1989	Killion	
5,074,375 A	12/1991	Grozil	
5,113,967 A	5/1992	Killion et al.	
D368,309 S *	3/1996	Narisawa	D24/106
D372,776 S	8/1996	Leight	

(Continued)

OTHER PUBLICATIONS

iBuds, AccessoryGeeks.com, published at least as early as Mar. 22, 2005.

(Continued)

Primary Examiner — Paula Greene

(74) *Attorney, Agent, or Firm* — Warner Norcross & Judd LLP

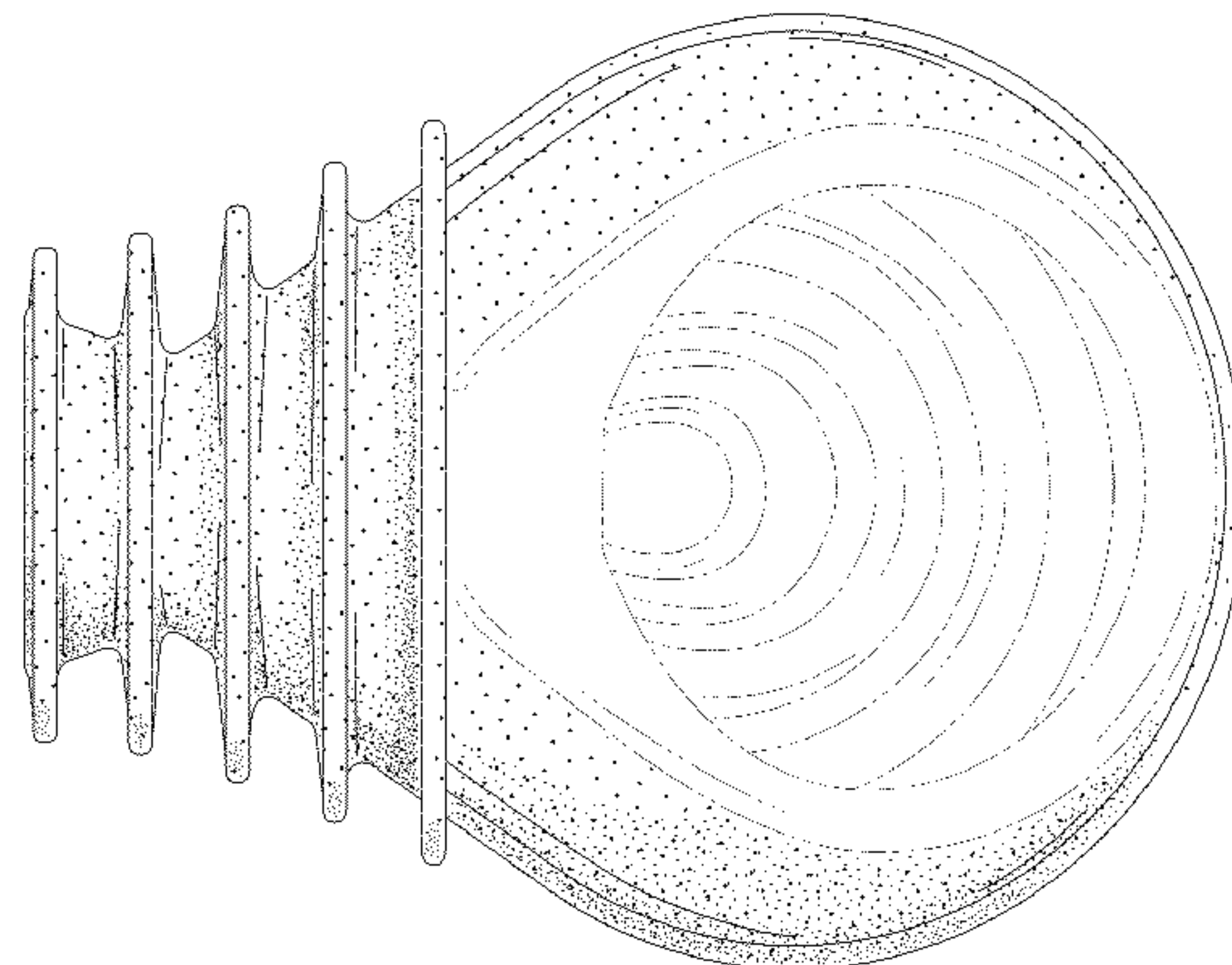
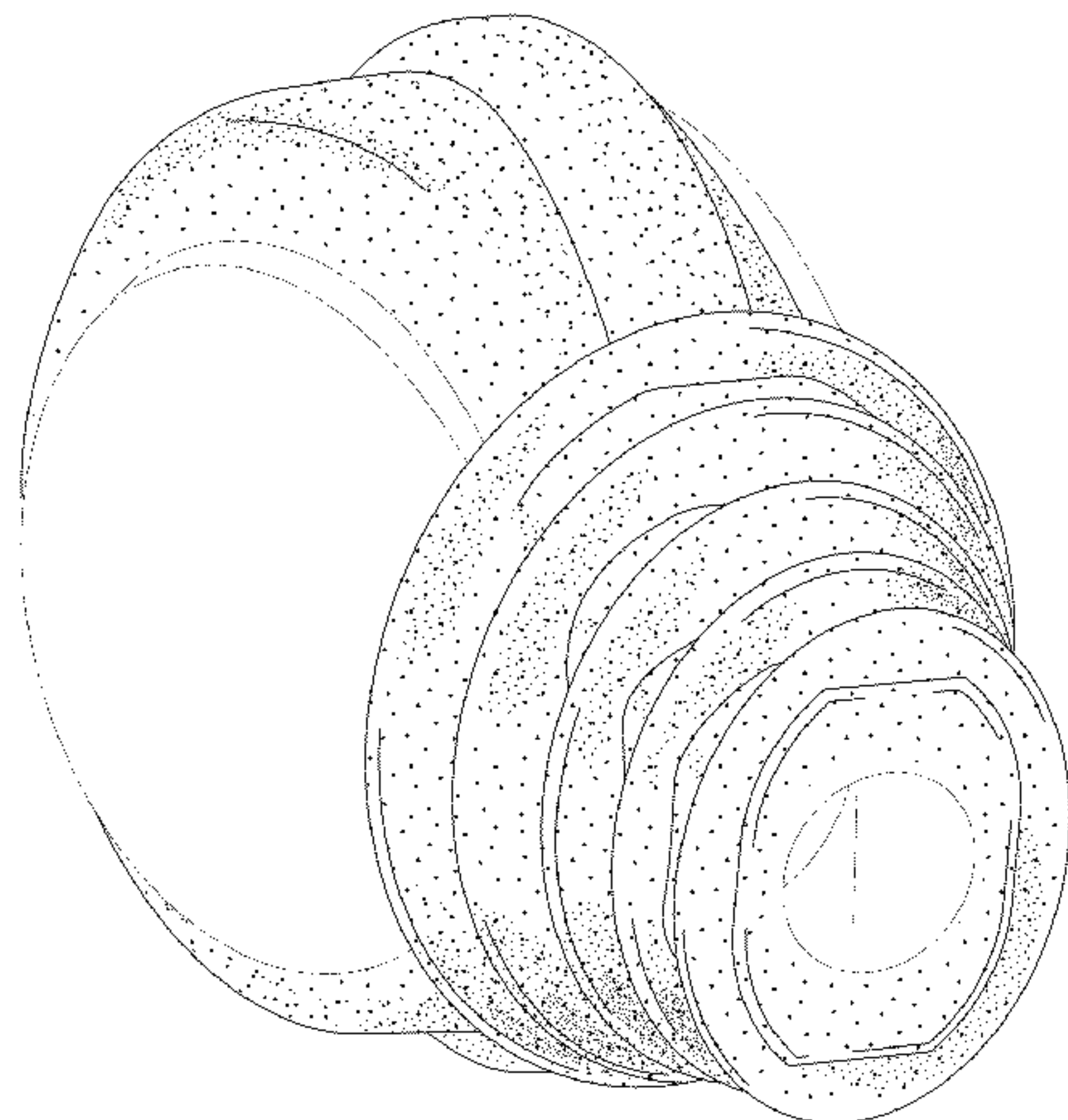
(57) **CLAIM**

The ornamental design for an earbud adapter, as shown and described.

DESCRIPTION

FIG. 1 is a front perspective view of the earbud adapter embodying the new design;
FIG. 2 is a top view thereof;
FIG. 3 is bottom view thereof;
FIG. 4 is a rear view thereof;
FIG. 5 is a front view thereof;
FIG. 6 is a right side view, the left side being a mirror image thereof;
FIG. 7 is a bottom perspective view thereof; and,
FIG. 8 is a bottom perspective view thereof showing an earbud in broken lines for environmental purposes.
FIGS. 1-8 show portions of the earbud adapter in broken lines. The portions shown in broken lines do not form part of the claimed design.

1 Claim, 5 Drawing Sheets



(56)

References Cited

U.S. PATENT DOCUMENTS

D399,001 S * 9/1998 Yabe et al. D24/174
 5,819,745 A * 10/1998 Mobley et al. 128/864
 5,887,070 A 3/1999 Iseberg et al.
 RE38,351 E 12/2003 Iseberg et al.
 6,666,295 B2 12/2003 Killion et al.
 6,830,876 B2 12/2004 Killion et al.
 D505,132 S * 5/2005 Linville et al. D14/223
 D514,094 S 1/2006 Griffin
 7,107,993 B2 9/2006 Magidson
 D539,415 S 3/2007 Fleming
 D567,230 S 4/2008 Seto
 D587,247 S * 2/2009 Densho D14/223
 D591,732 S 5/2009 Burton
 D598,431 S * 8/2009 Densho D14/223
 D601,134 S * 9/2009 Elabidi et al. D14/223
 D618,219 S * 6/2010 Burgett et al. D14/223
 D622,265 S * 8/2010 Rye D14/223

D628,565 S * 12/2010 Wu et al. D14/223
 D632,282 S * 2/2011 Kitayama D14/223
 D634,013 S * 3/2011 Wai D24/174
 8,111,864 B2 * 2/2012 Oliveira et al. 381/381
 D678,868 S * 3/2013 Feng et al. D14/223
 8,638,970 B2 * 1/2014 Burton 381/380
 2007/0189569 A1 8/2007 Haapapuro et al.
 2007/0240931 A1 10/2007 Killion
 2008/0187159 A1 8/2008 Blanchard
 2014/0138179 A1 * 5/2014 Burton 181/135

OTHER PUBLICATIONS

The Whoomp! Earbud Enhancers Review: Apple's Dirty Little Secret, posted Apr. 18, 2008.
 Griffins EarJams, iLounge, Jeremy Horwitz, published Sep. 14, 2004.
 TuneBuds, Belkin, posted to website May 24, 2006.

* cited by examiner

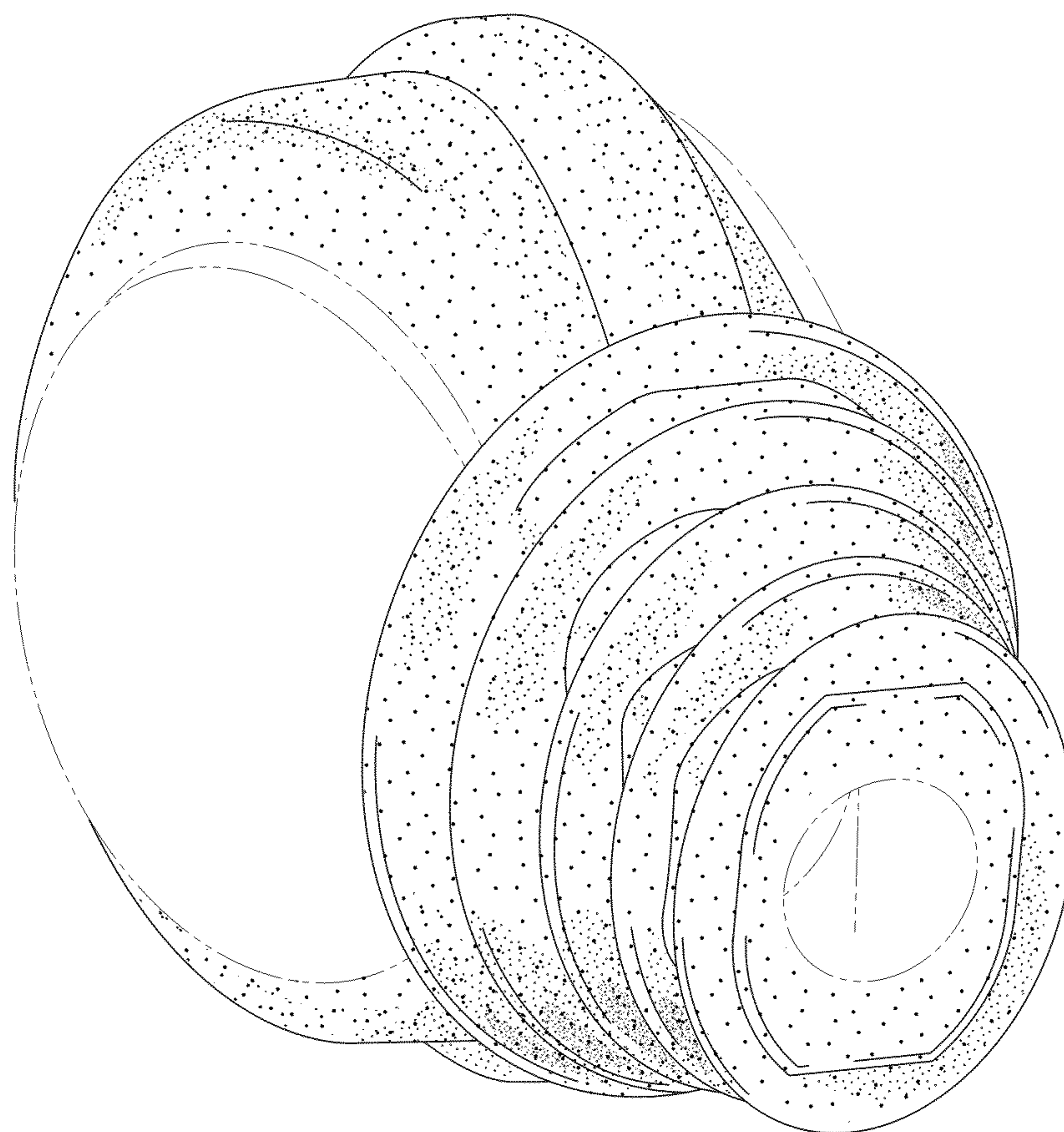


Fig. 1

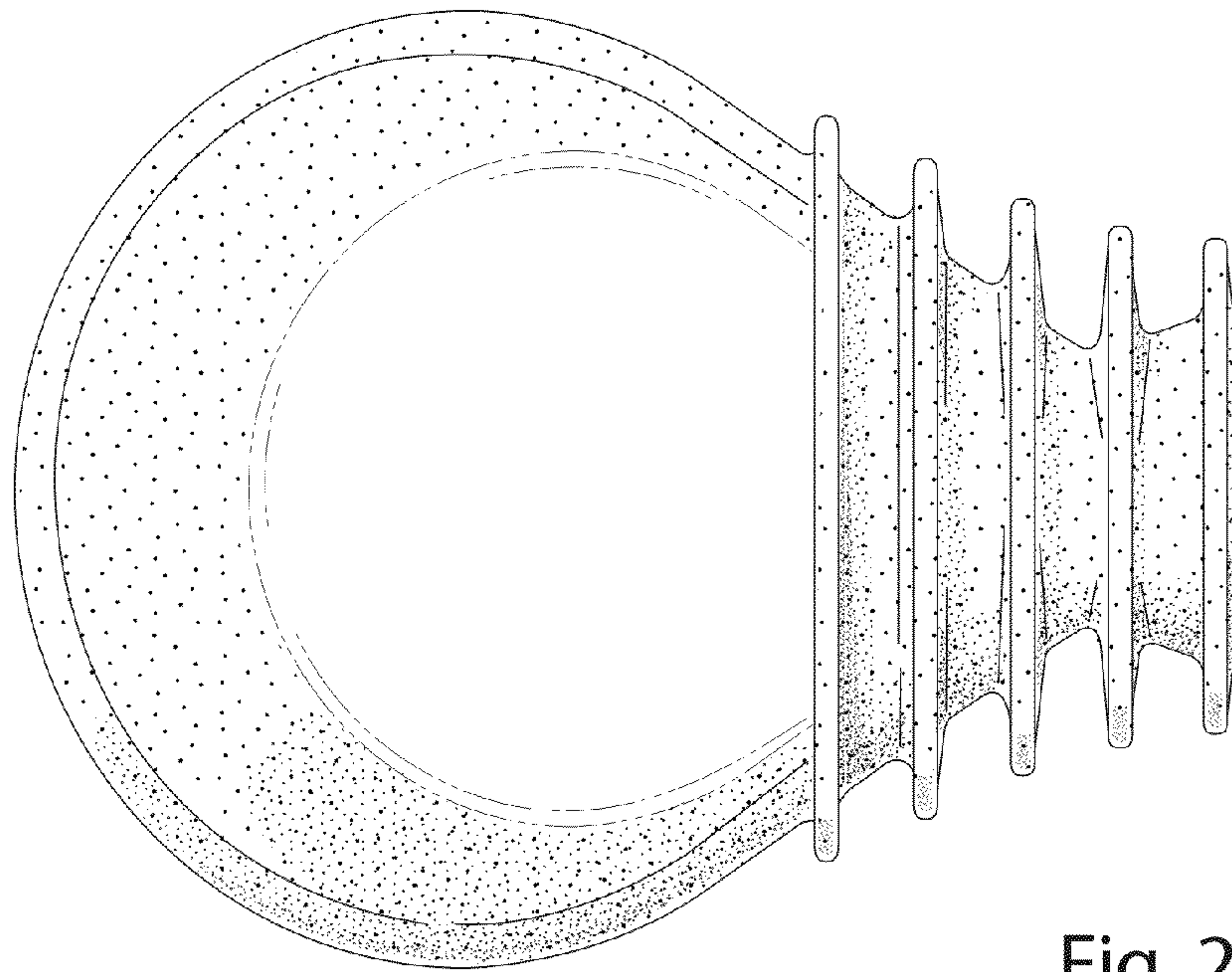


Fig. 2

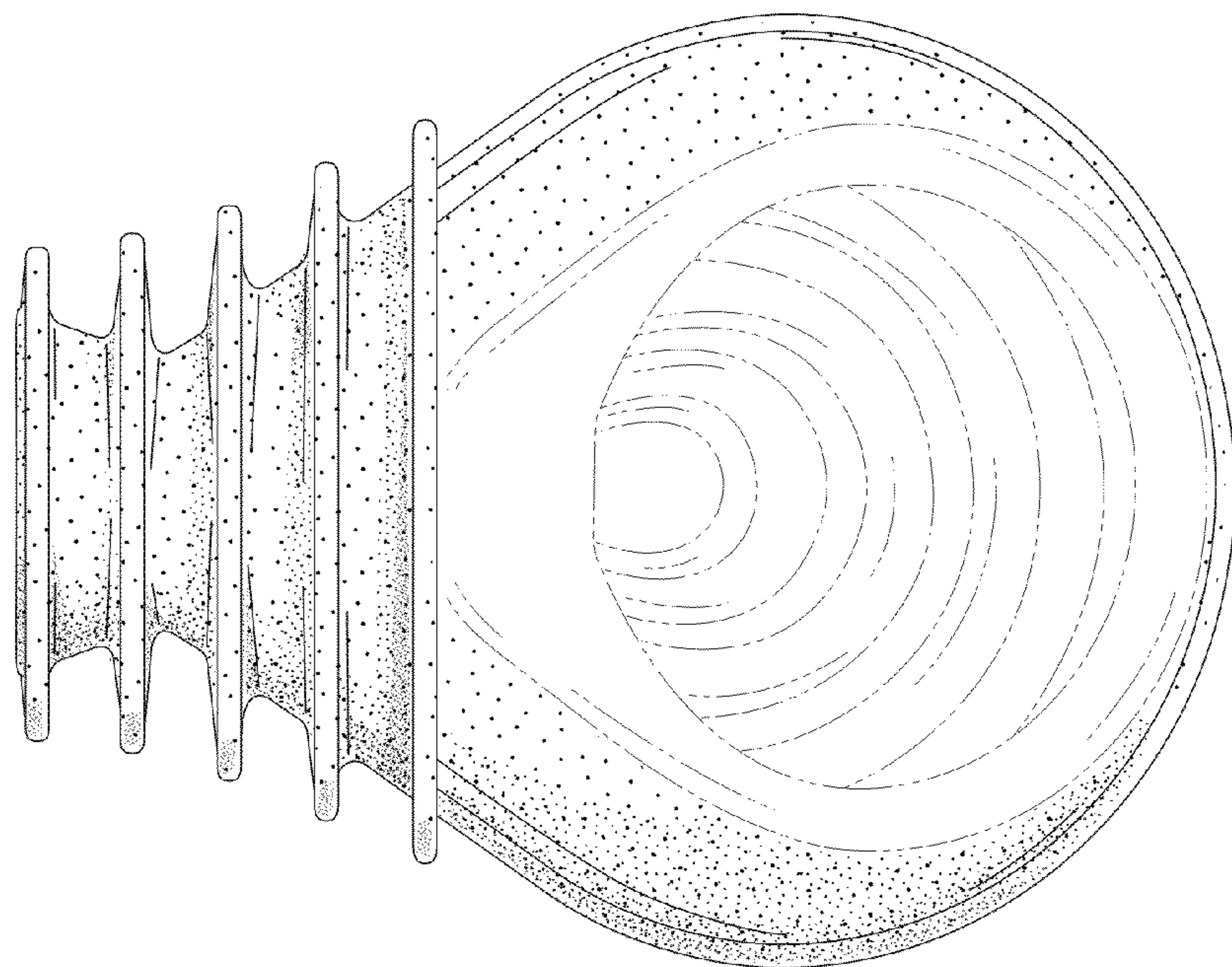


Fig. 3

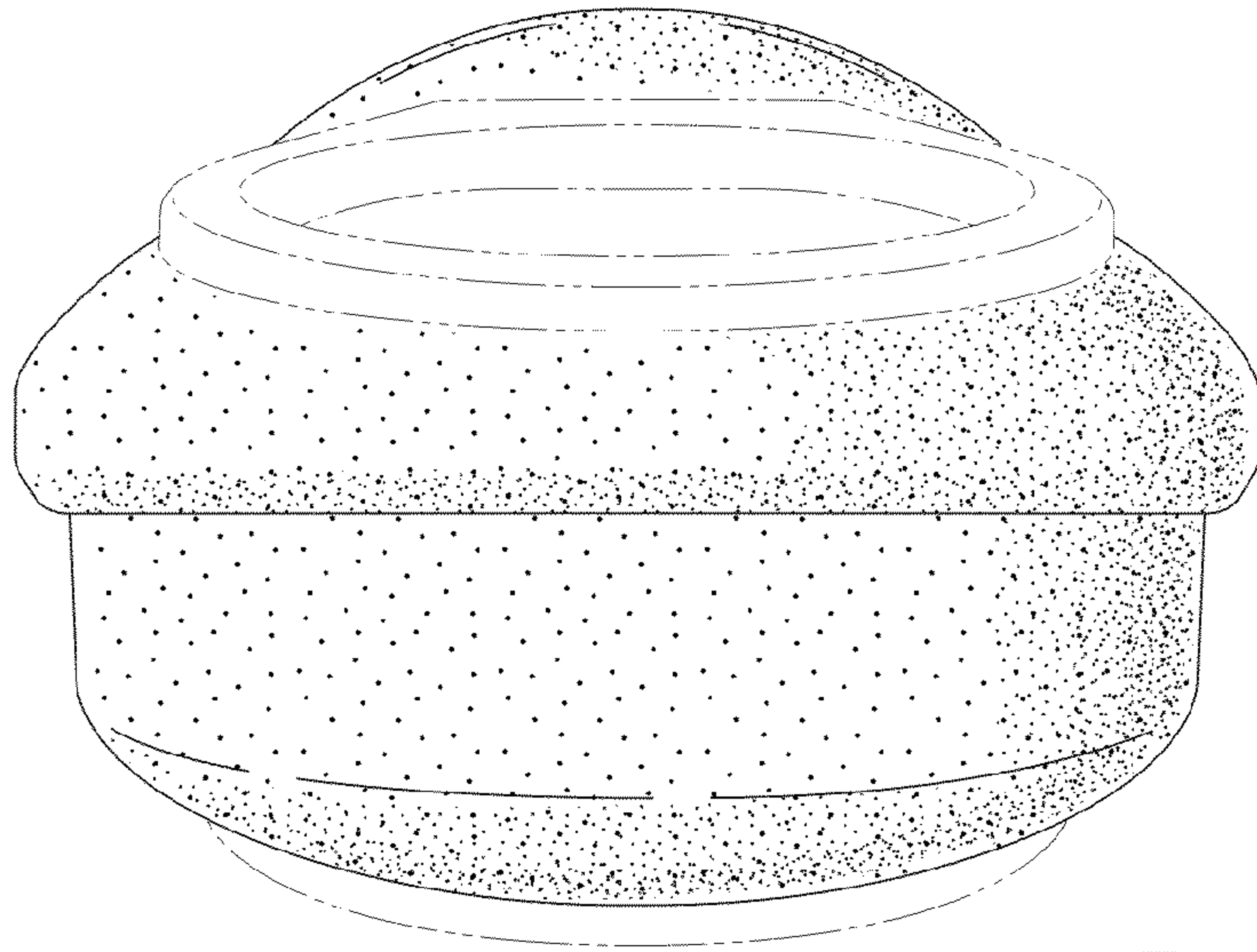


Fig. 4

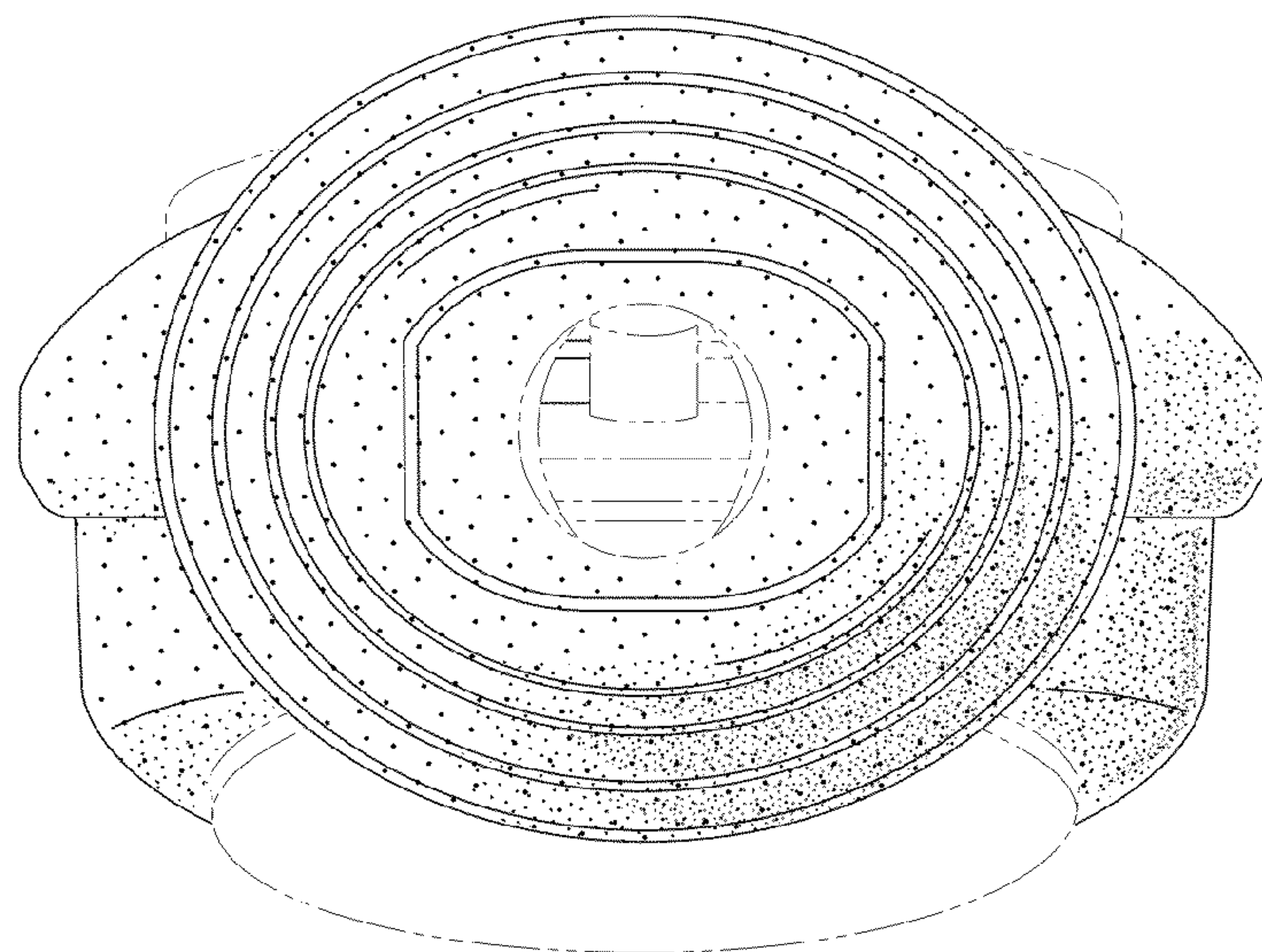


Fig. 5

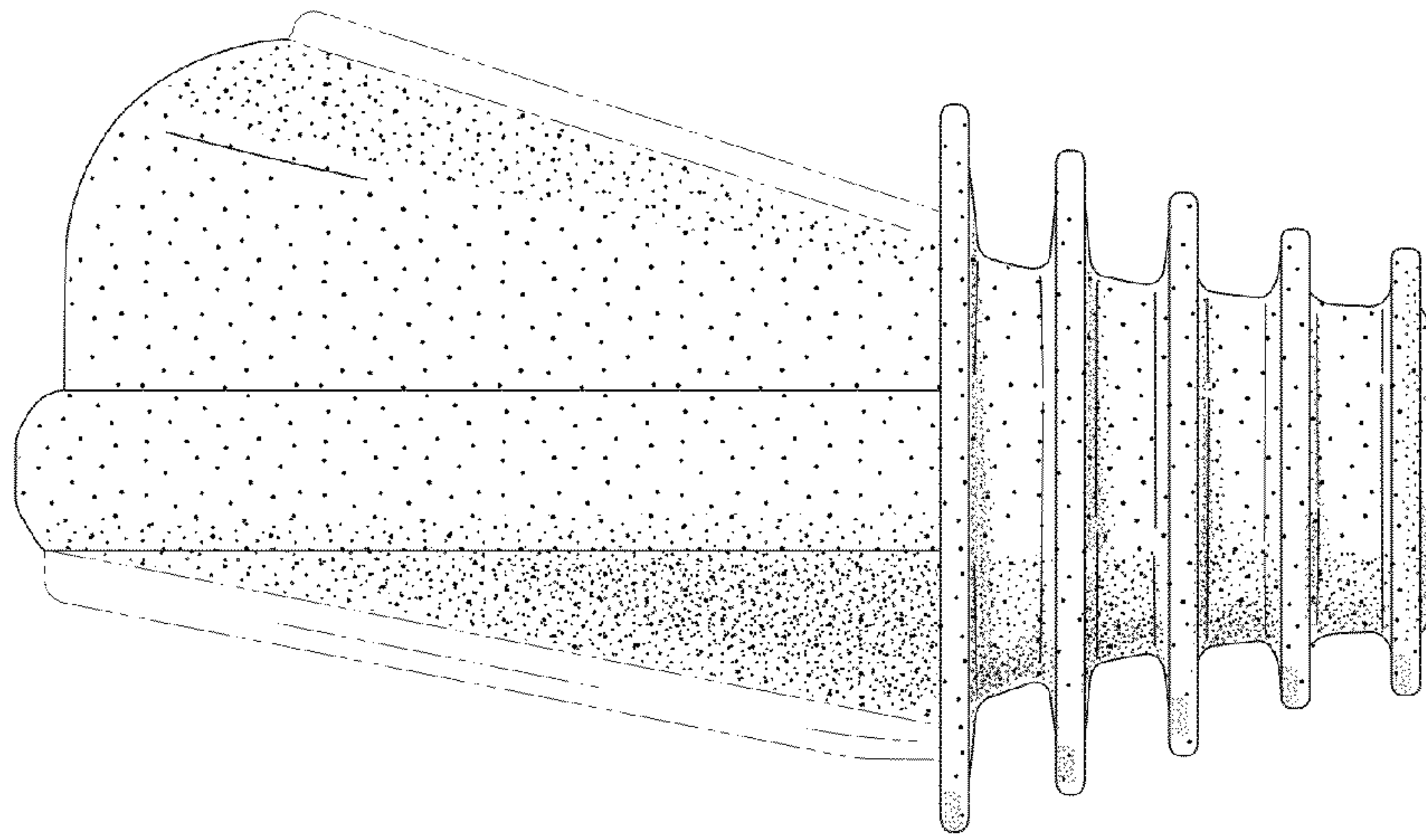


Fig. 6

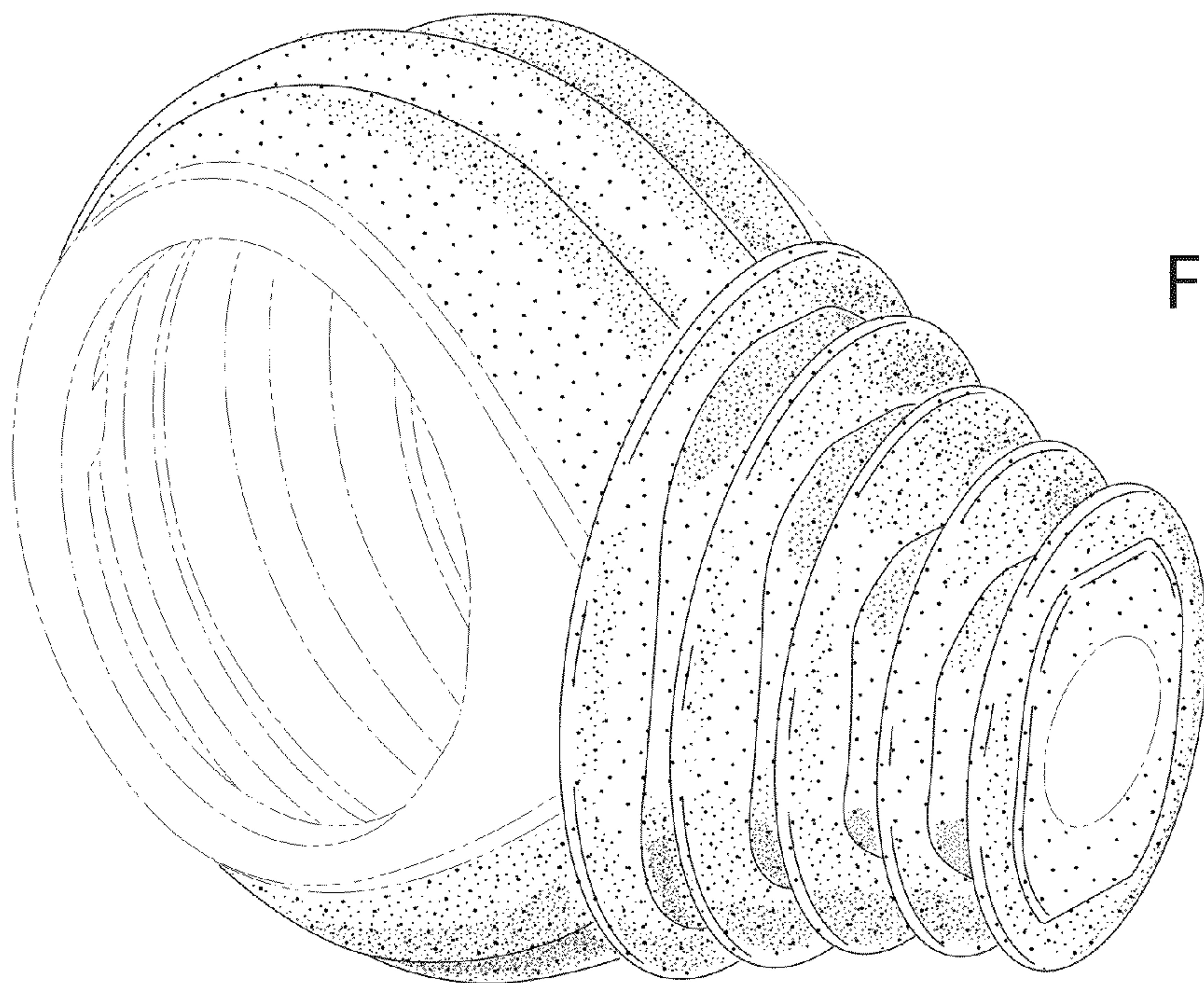


Fig. 7

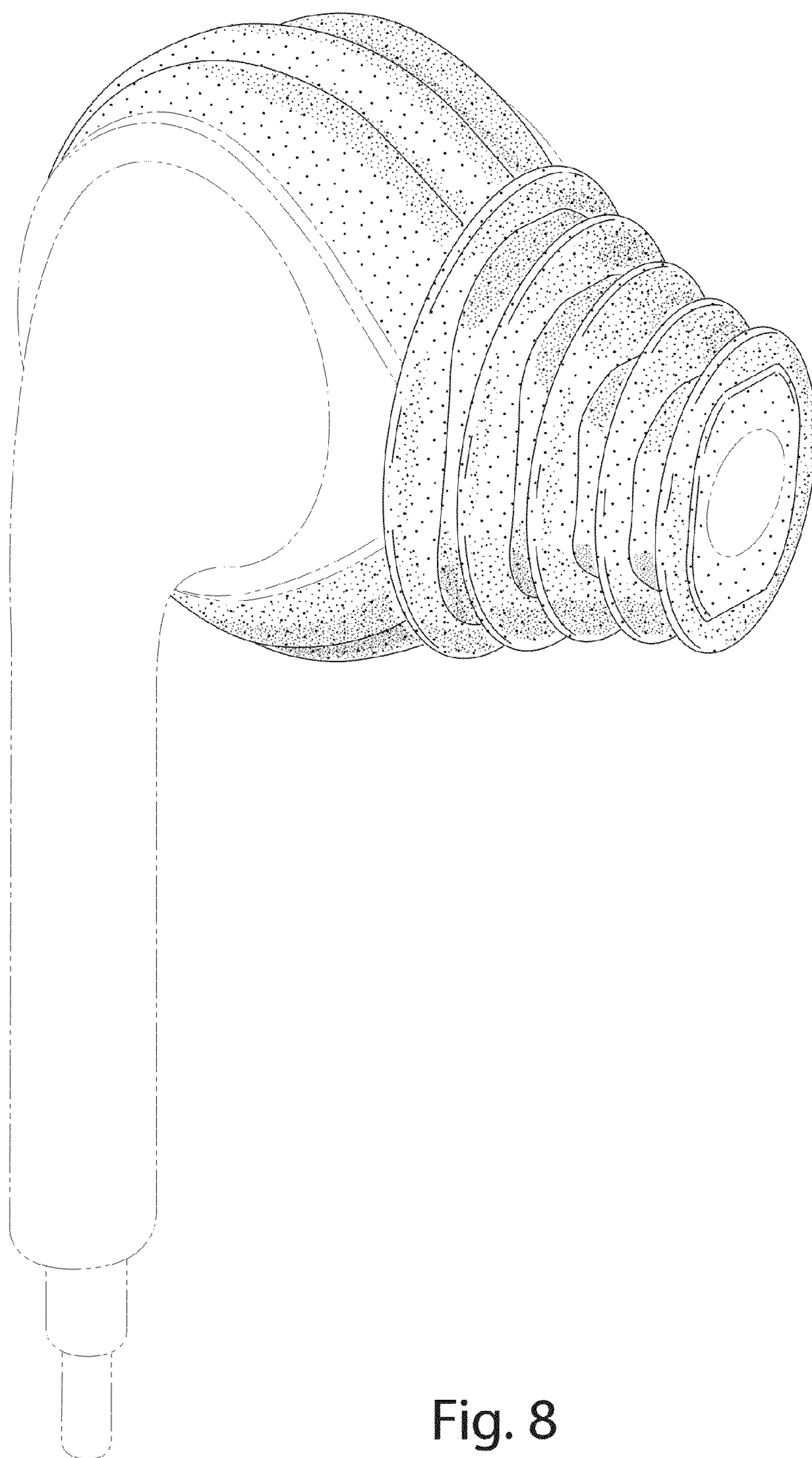


Fig. 8

UNITED STATES PATENT AND TRADEMARK OFFICE
CERTIFICATE OF CORRECTION

PATENT NO. : D715,272 S
APPLICATION NO. : 29/466623
DATED : October 14, 2014
INVENTOR(S) : John E. Burton

Page 1 of 1

It is certified that error appears in the above-identified patent and that said Letters Patent is hereby corrected as shown below:

On the title page, in the Description, Line 13:
after "lines" delete "rdo" and insert --do--

Signed and Sealed this
Sixth Day of January, 2015



Michelle K. Lee
Deputy Director of the United States Patent and Trademark Office