



US00D715270S

(12) **United States Design Patent**  
**Han et al.**

(10) **Patent No.:** **US D715,270 S**  
(45) **Date of Patent:** **\*\* Oct. 14, 2014**

(54) **SPEAKER**  
(71) Applicant: **Samsung Electronics Co., Ltd.**,  
Suwon-si (KR)  
(72) Inventors: **Kyu-Mi Han**, Seoul (KR); **Chae-Joo**  
**Son**, Namyangju-Si (KR)  
(73) Assignee: **Samsung Electronics Co., Ltd.**,  
Suwon-si (KR)

8,254,837 B2 \* 8/2012 Tian et al. .... 455/41.2  
8,483,646 B2 \* 7/2013 Myers ..... 455/323  
D690,299 S \* 9/2013 Akana et al. .... D14/341  
D693,805 S \* 11/2013 Sip et al. .... D14/358  
D697,475 S \* 1/2014 Regole ..... D13/108  
D705,815 S \* 5/2014 Green ..... D14/509

\* cited by examiner

*Primary Examiner* — Prabhakar Deshmukh  
(74) *Attorney, Agent, or Firm* — NSIP Law

(\*\*) Term: **14 Years**  
(21) Appl. No.: **29/459,836**  
(22) Filed: **Jul. 3, 2013**

(57) **CLAIM**  
The ornamental design for a speaker, as shown and described.

**DESCRIPTION**

(30) **Foreign Application Priority Data**  
Jan. 5, 2013 (KR) ..... 30-2013-0000744  
(51) **LOC (10) Cl.** ..... **14-01**  
(52) **U.S. Cl.**  
USPC ..... **D14/221**  
(58) **Field of Classification Search**  
USPC ..... D14/204, 218, 172, 210–216, 209.1,  
D14/496, 497, 137, 168, 181, 185, 188, 299,  
D14/203.1–203.8, 221; 181/143, 147, 148,  
181/150, 153, 157, 198, 199, 166, 144;  
381/300–303, 306, 332, 333, 336, 345,  
381/361–364, 370, 386–388; 455/344–351;  
84/609–614, 634–638; 434/307 A,  
434/307 R, 309, 318; 352/1, 6–10  
See application file for complete search history.

FIG. 1 is a perspective view of a speaker, showing our new design;  
FIG. 2 is a front view thereof;  
FIG. 3 is a rear view thereof;  
FIG. 4 is a left-side view thereof;  
FIG. 5 is a right-side view thereof;  
FIG. 6 is a top plan view thereof;  
FIG. 7 is a bottom plan view thereof;  
FIG. 8 is a front perspective view of a speaker as shown in FIG. 1;  
FIG. 9 is a front perspective view thereof;  
FIG. 10 is a front perspective view thereof;  
FIG. 11 is an enlarged view of the encircled portion A in FIG. 1;  
FIG. 12 is an enlarged view of the encircled portion B in FIG. 8;  
FIG. 13 is an enlarged view of the encircled portion C in FIG. 9; and,  
FIG. 14 is an enlarged view of the encircled portion D in FIG. 10.

The broken lines are for environmental purpose only and form no part of the claimed design. The shade lines in the figures show contour and not surface ornamentation.

(56) **References Cited**  
U.S. PATENT DOCUMENTS  
5,379,057 A \* 1/1995 Clough et al. .... 345/173  
D371,135 S \* 6/1996 Jutte ..... D14/240  
6,579,285 B2 \* 6/2003 Sinofsky ..... 606/16  
D585,898 S \* 2/2009 Skurdal ..... D14/434

**1 Claim, 11 Drawing Sheets**

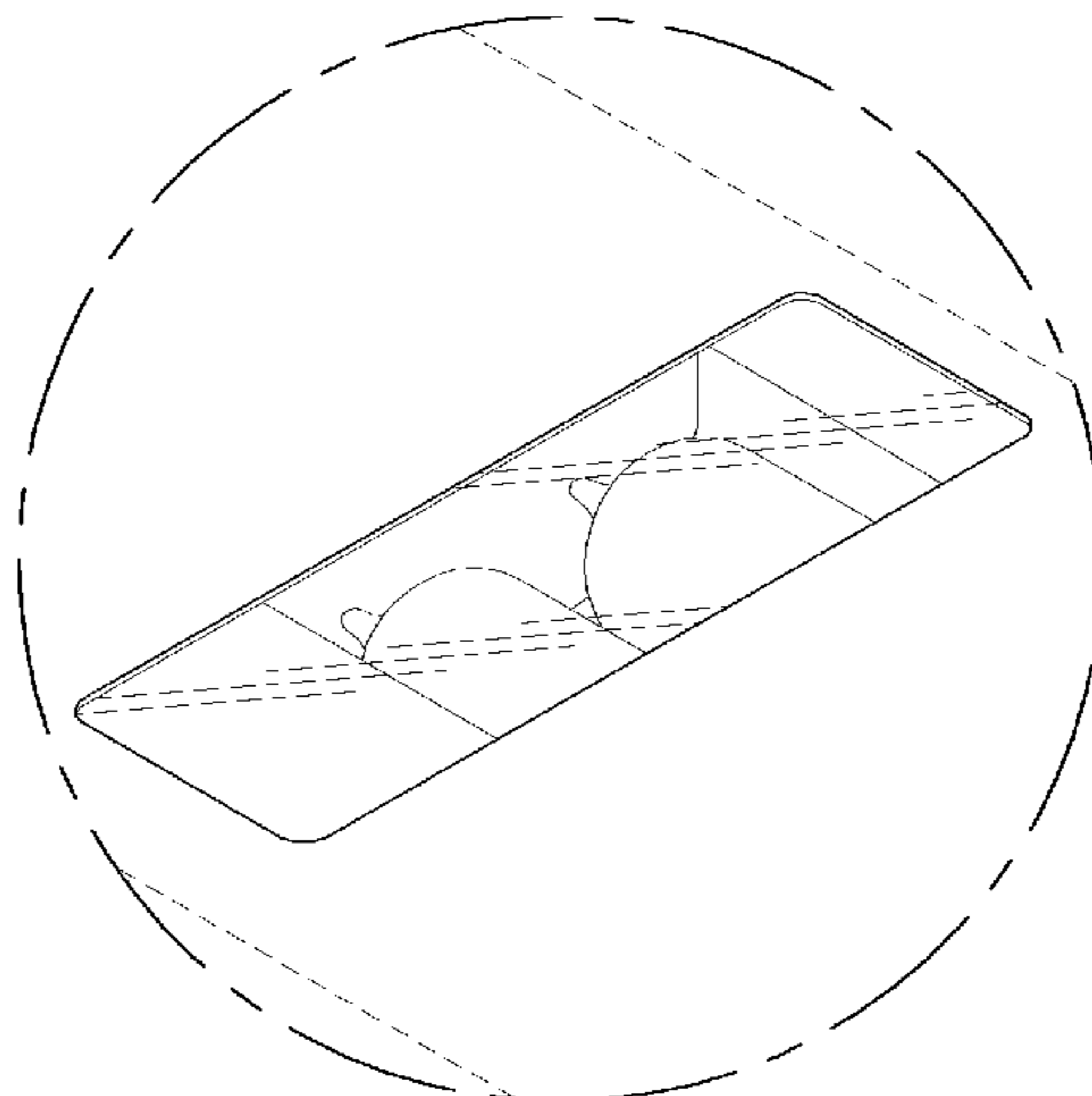


FIG. 1

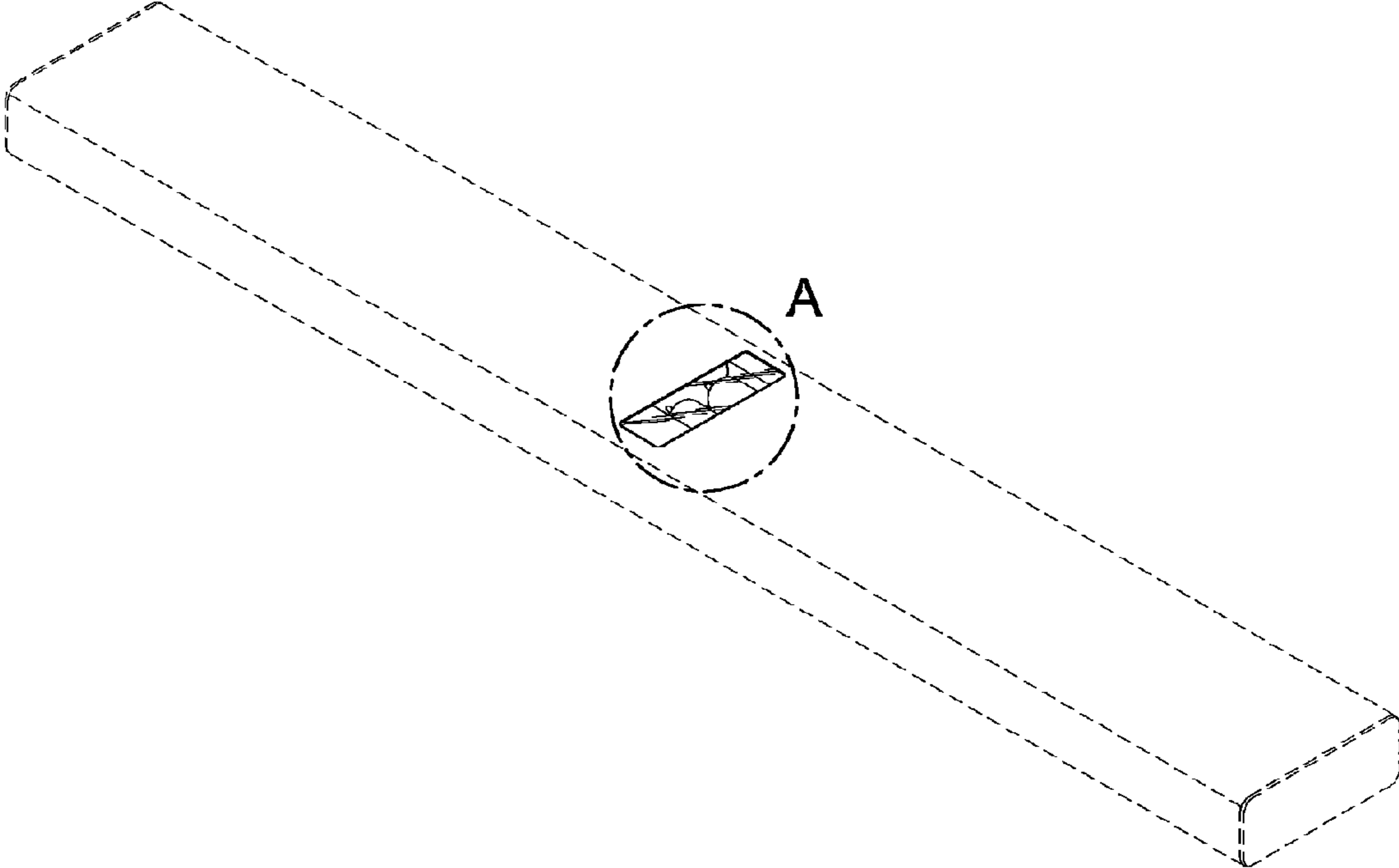


FIG. 2

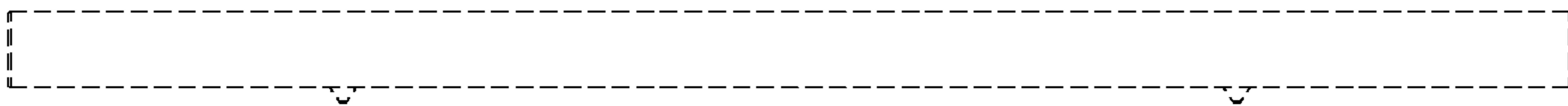


FIG. 3

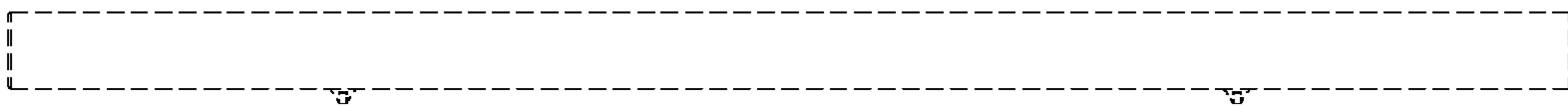


FIG. 4

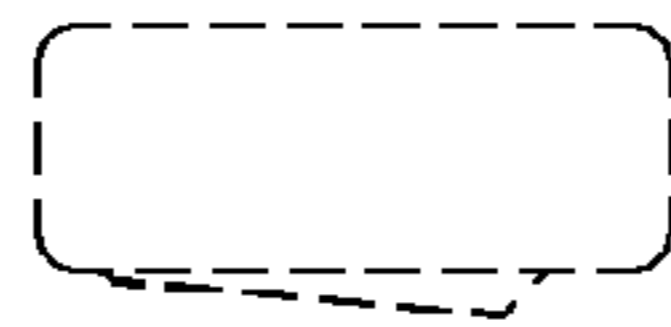


FIG. 5

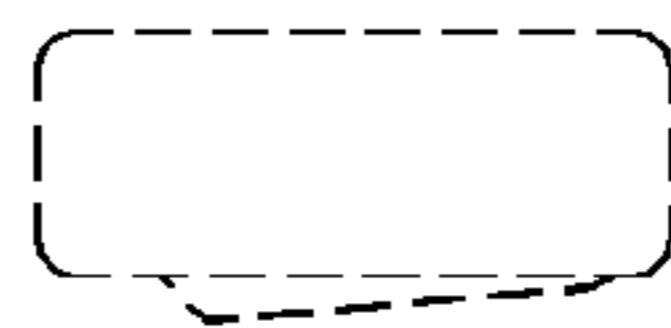


FIG. 6

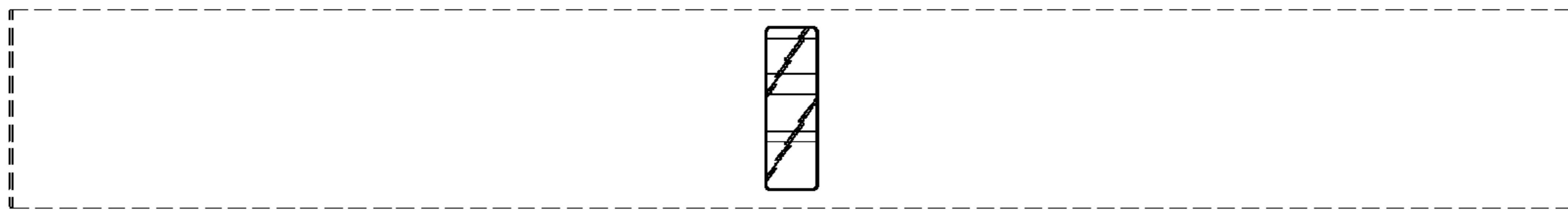


FIG. 7



FIG. 8

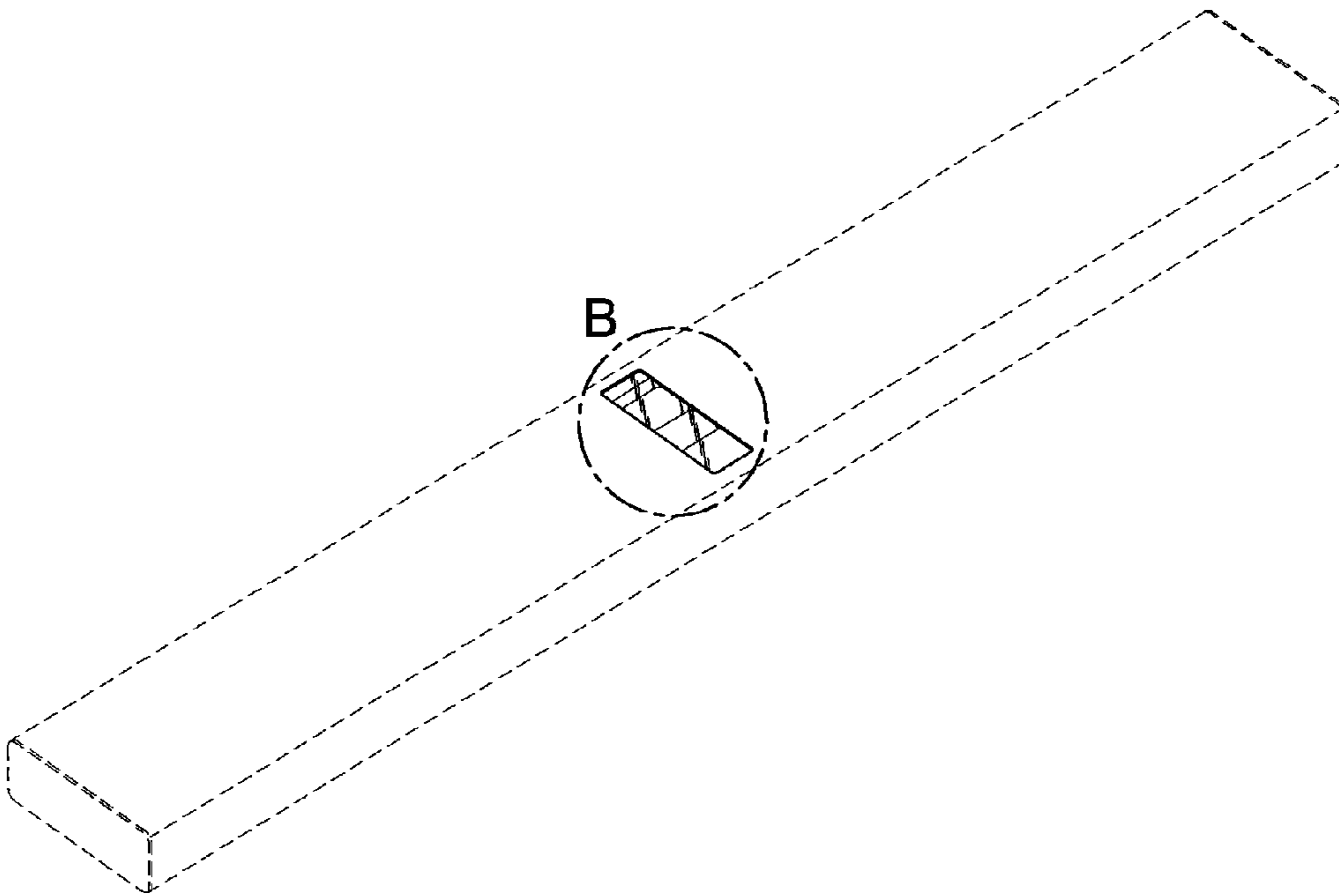


FIG. 9

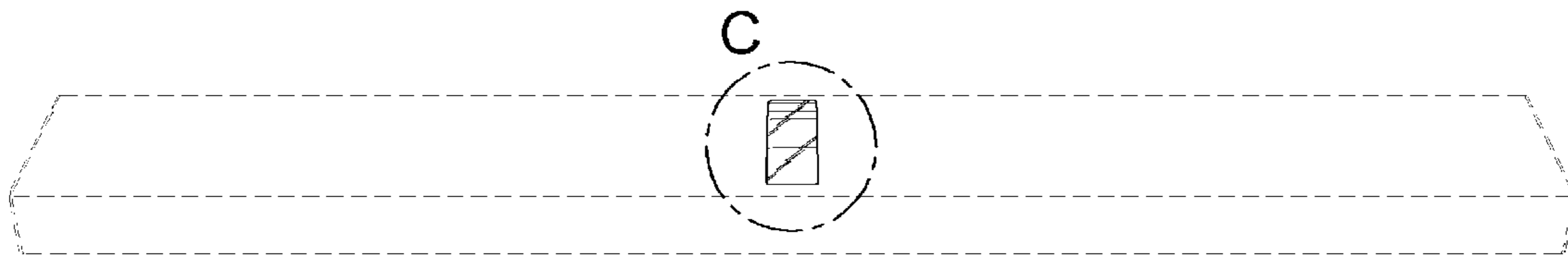


FIG. 10

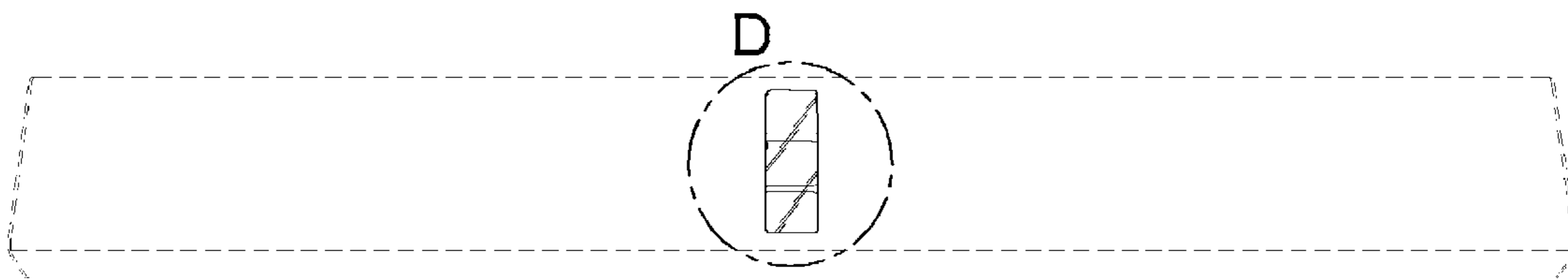




FIG. 11

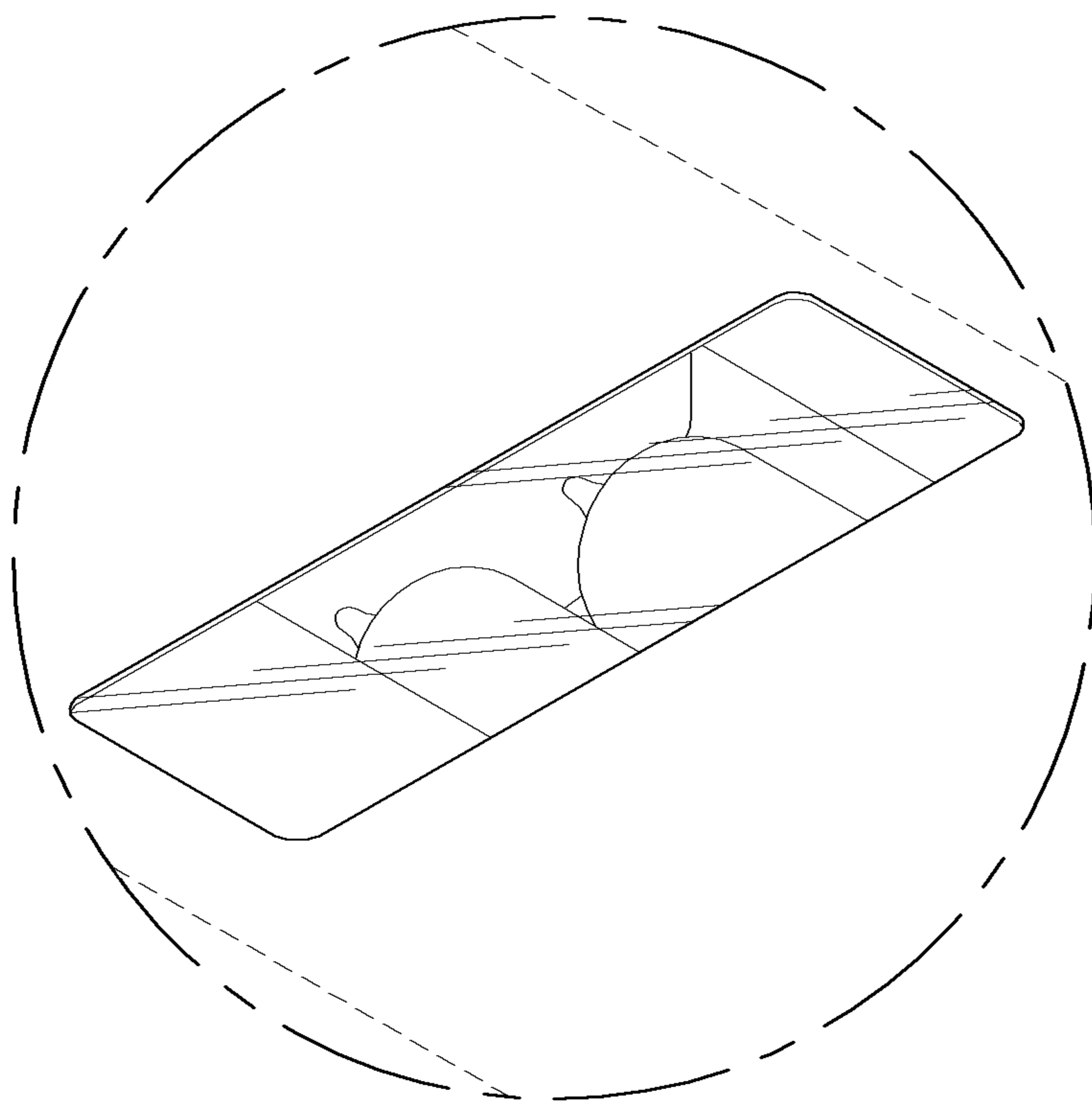


FIG. 12

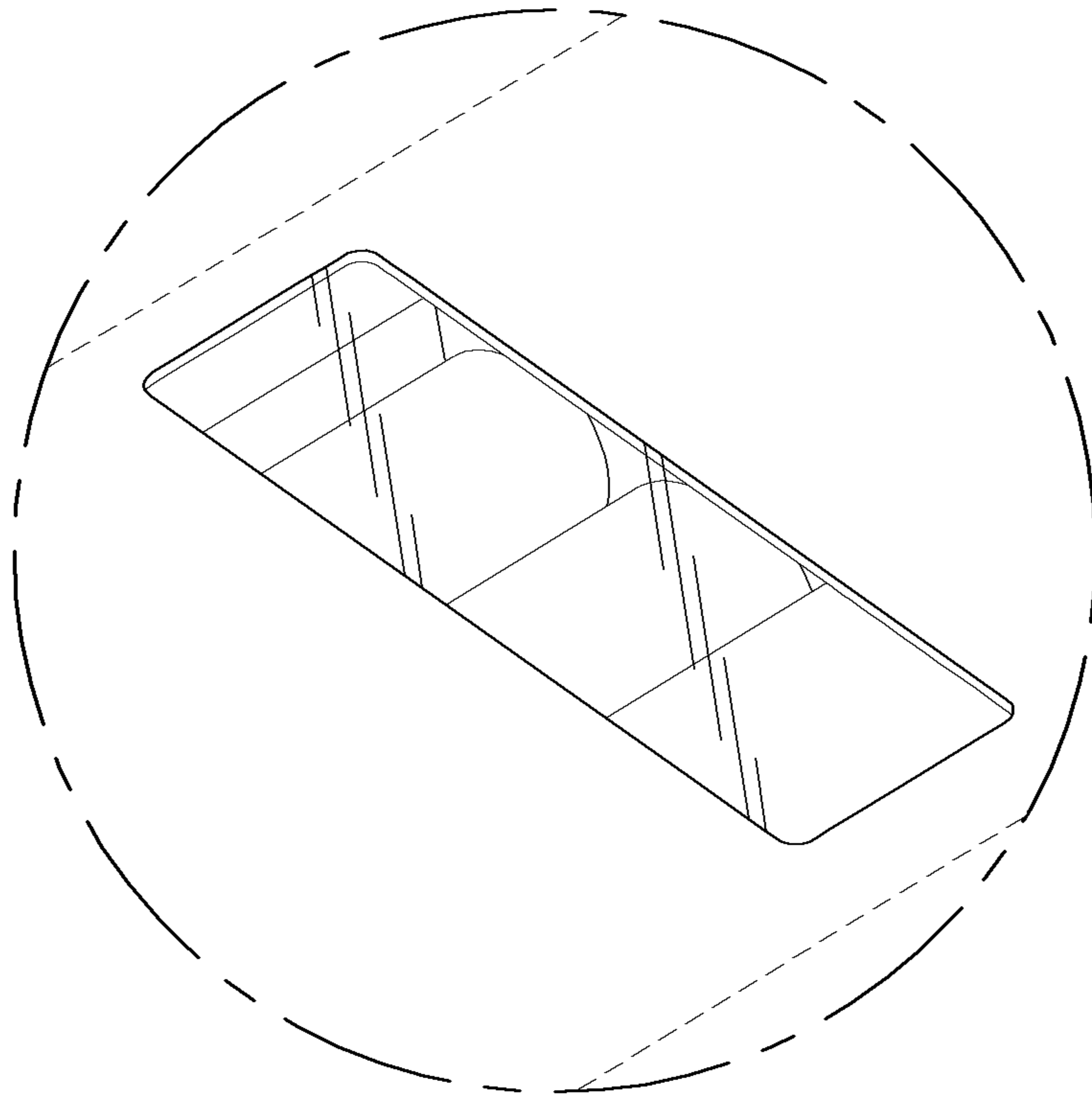


FIG. 13

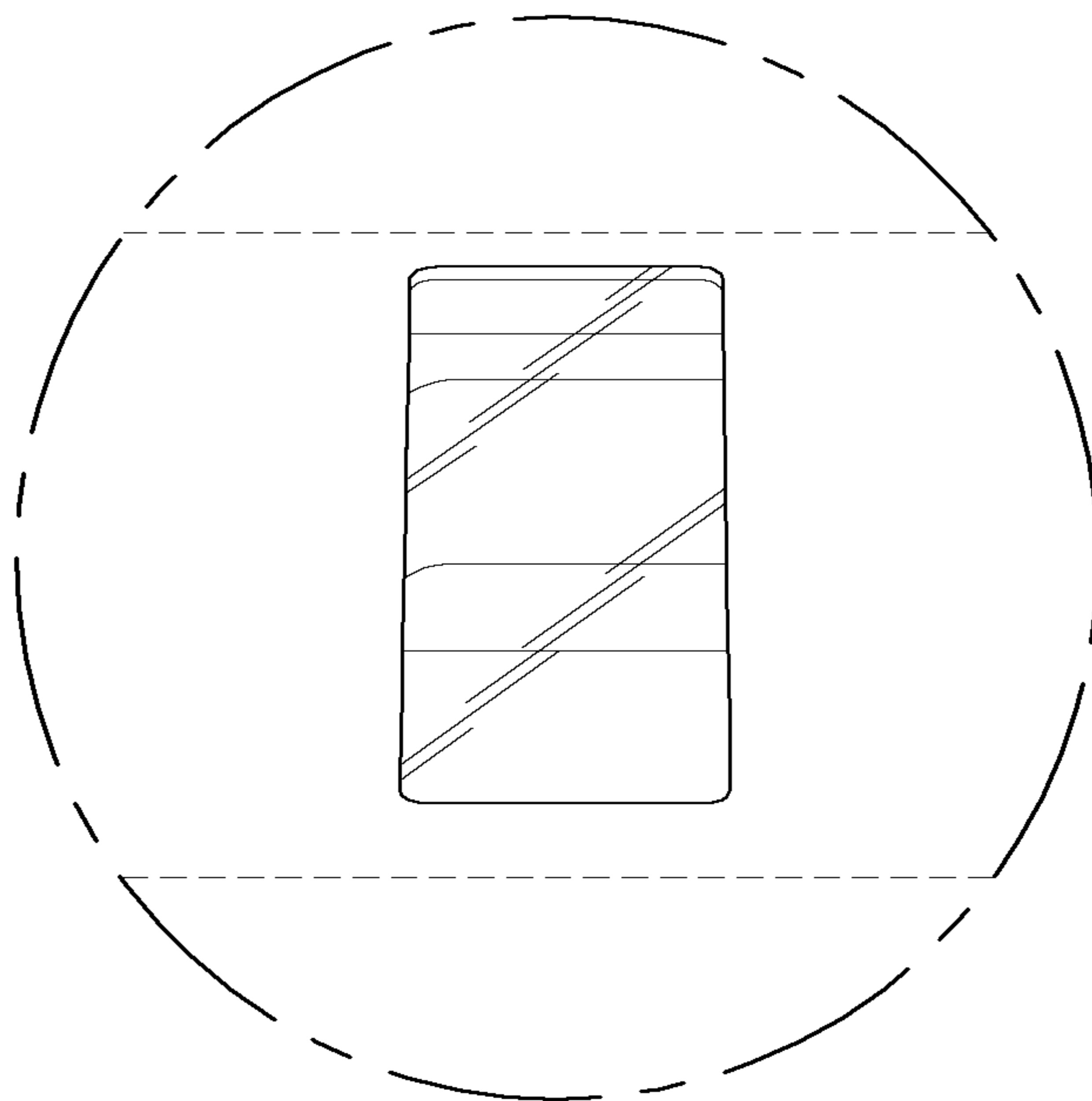


FIG. 14

