



US00D715269S

(12) **United States Design Patent**
Han et al.

(10) **Patent No.:** **US D715,269 S**

(45) **Date of Patent:** **** Oct. 14, 2014**

(54) **SPEAKER**

(71) Applicant: **Samsung Electronics Co., Ltd.**,
Suwon-si (KR)

(72) Inventors: **Kyu-Mi Han**, Seoul (KR); **Chae-Joo**
Son, Namyangju-Si (KR)

(73) Assignee: **Samsung Electronics Co., Ltd.**,
Suwon-si (KR)

(**) Term: **14 Years**

(21) Appl. No.: **29/459,825**

(22) Filed: **Jul. 3, 2013**

(30) **Foreign Application Priority Data**

Jan. 5, 2013 (KR) 30-2013-0000749

(51) **LOC (10) Cl.** **14-01**

(52) **U.S. Cl.**
USPC **D14/221**

(58) **Field of Classification Search**

CPC H04R 1/02; H04R 1/023; H04R 1/026;
H04R 1/30; H04R 3/00; H04R 9/06; H04R
11/02; H04R 19/02

USPC D14/204, 218, 172, 210–216, 209.1,
D14/496, 497, 137, 168, 181, 185, 188, 299,
D14/203.1–203.8, 221; 181/143, 147, 148,
181/150, 153, 157, 198, 199, 166, 144;
381/300–303, 306, 332, 333, 336, 345,
381/361–364, 370, 386–388; 455/344–351;
84/609–614, 634–638; 434/307 A,
434/307 R, 309, 318; 352/1, 6–10

See application file for complete search history.

(56) **References Cited**

U.S. PATENT DOCUMENTS

4,582,162 A * 4/1986 Katsuno 181/141
D508,910 S * 8/2005 Oikawa D14/214
D574,364 S * 8/2008 Anthony et al. D14/217

D648,320 S * 11/2011 Kusuki D14/214
D655,690 S * 3/2012 Yagi D14/214
D659,677 S * 5/2012 Kim et al. D14/214
D664,120 S * 7/2012 Larson D14/215
D669,883 S * 10/2012 Cheng D14/214
D684,947 S * 6/2013 Motoishi et al. D14/194
D697,061 S * 1/2014 Specht et al. D14/251
D703,658 S * 4/2014 Higashi D14/253

* cited by examiner

Primary Examiner — Prabhakar Deshmukh

(74) *Attorney, Agent, or Firm* — NSIP Law

(57) **CLAIM**

The ornamental design for a speaker, as shown and described.

DESCRIPTION

FIG. 1 is a perspective view of a speaker, showing our new design;

FIG. 2 is a front view thereof;

FIG. 3 is a rear view thereof;

FIG. 4 is a left-side view thereof;

FIG. 5 is a right-side view thereof;

FIG. 6 is a top plan view thereof;

FIG. 7 is a bottom plan view thereof;

FIG. 8 is another perspective view thereof, in which a display device in broken line is provided to illustrate an example environment;

FIG. 9 is an enlarged view of the encircled portion A in FIG. 1;

FIG. 10 is an enlarged view of the encircled portion B in FIG. 2;

FIG. 11 is an enlarged view of the encircled portion C in FIG. 3; and,

FIG. 12 is an enlarged view of the encircled portion D in FIG. 5.

The broken lines are for environmental purpose only and form no part of the claimed design. The shade lines in the figures show contour and not surface ornamentation.

1 Claim, 9 Drawing Sheets

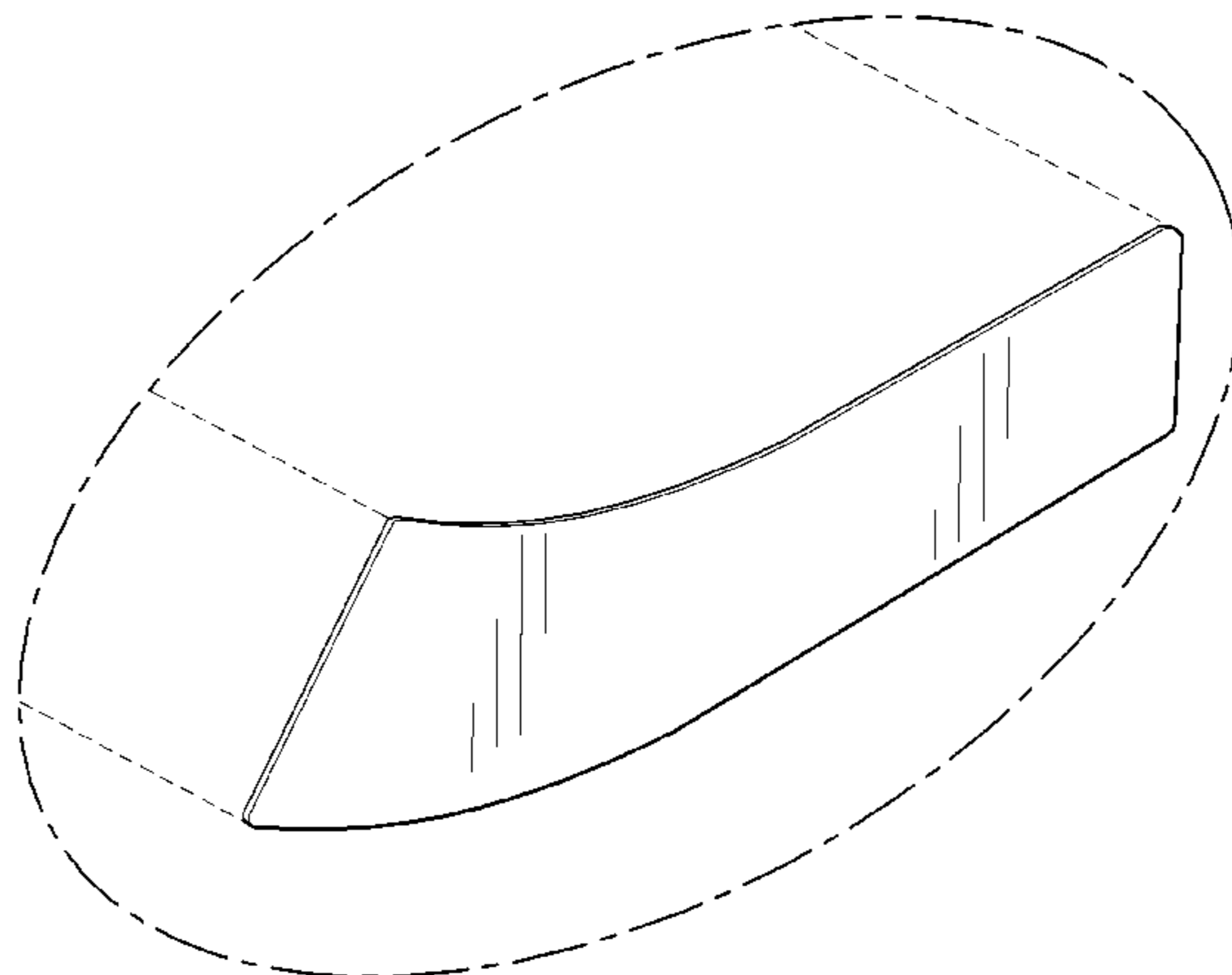


FIG. 1

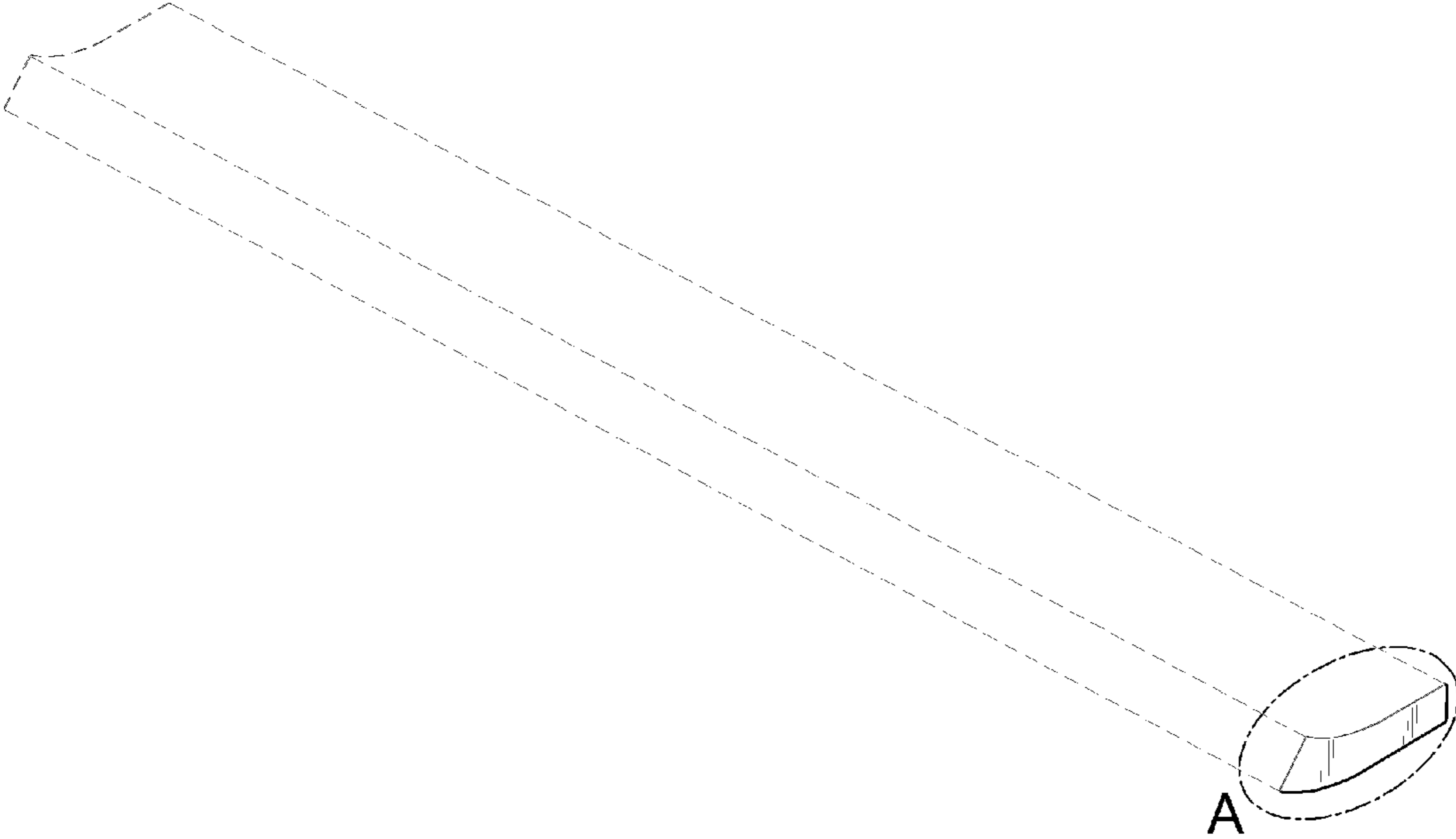


FIG. 2

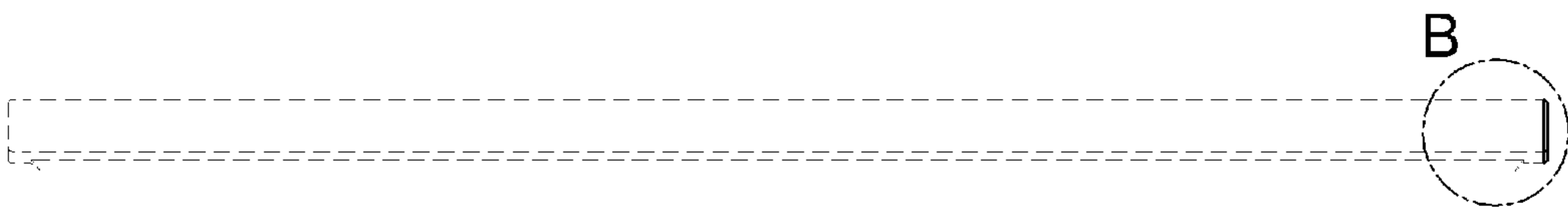


FIG. 3

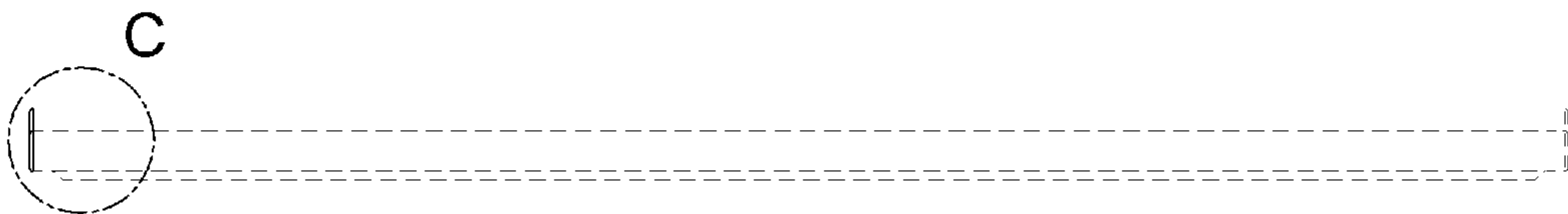


FIG. 4

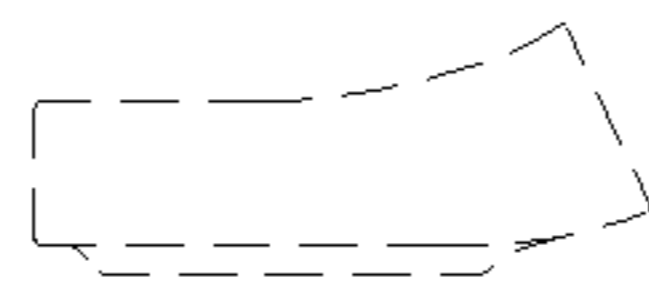


FIG. 5

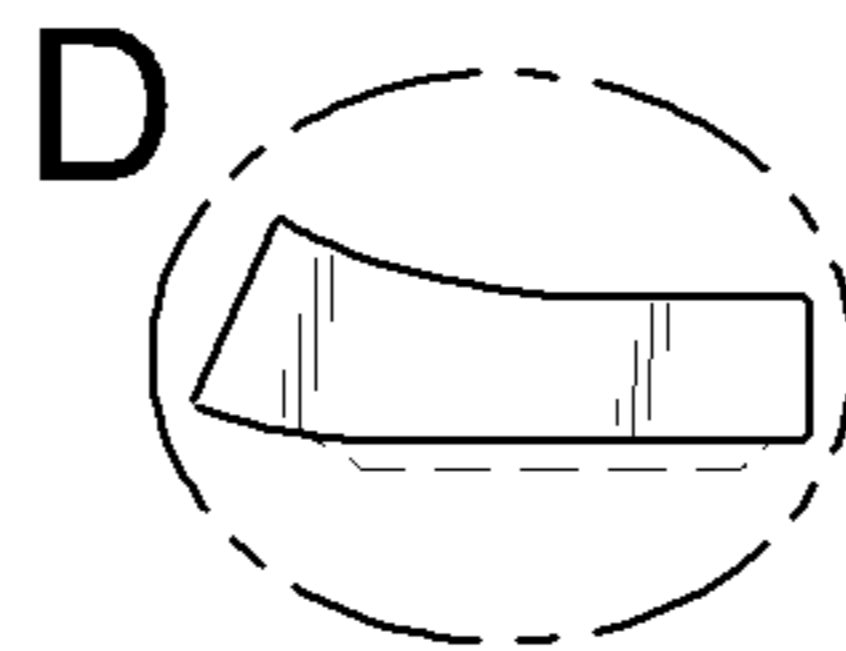


FIG. 6



FIG. 7

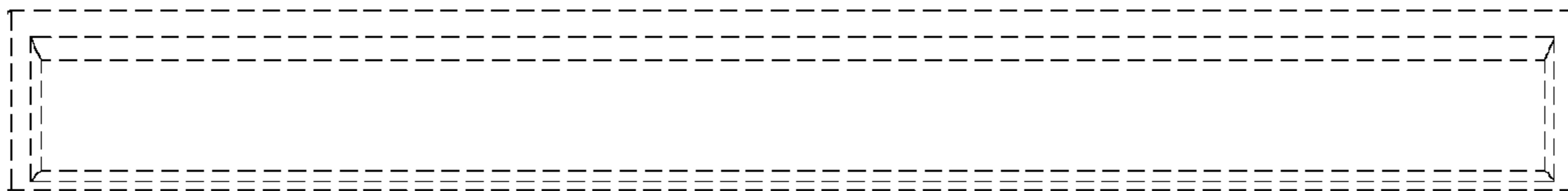


FIG. 8

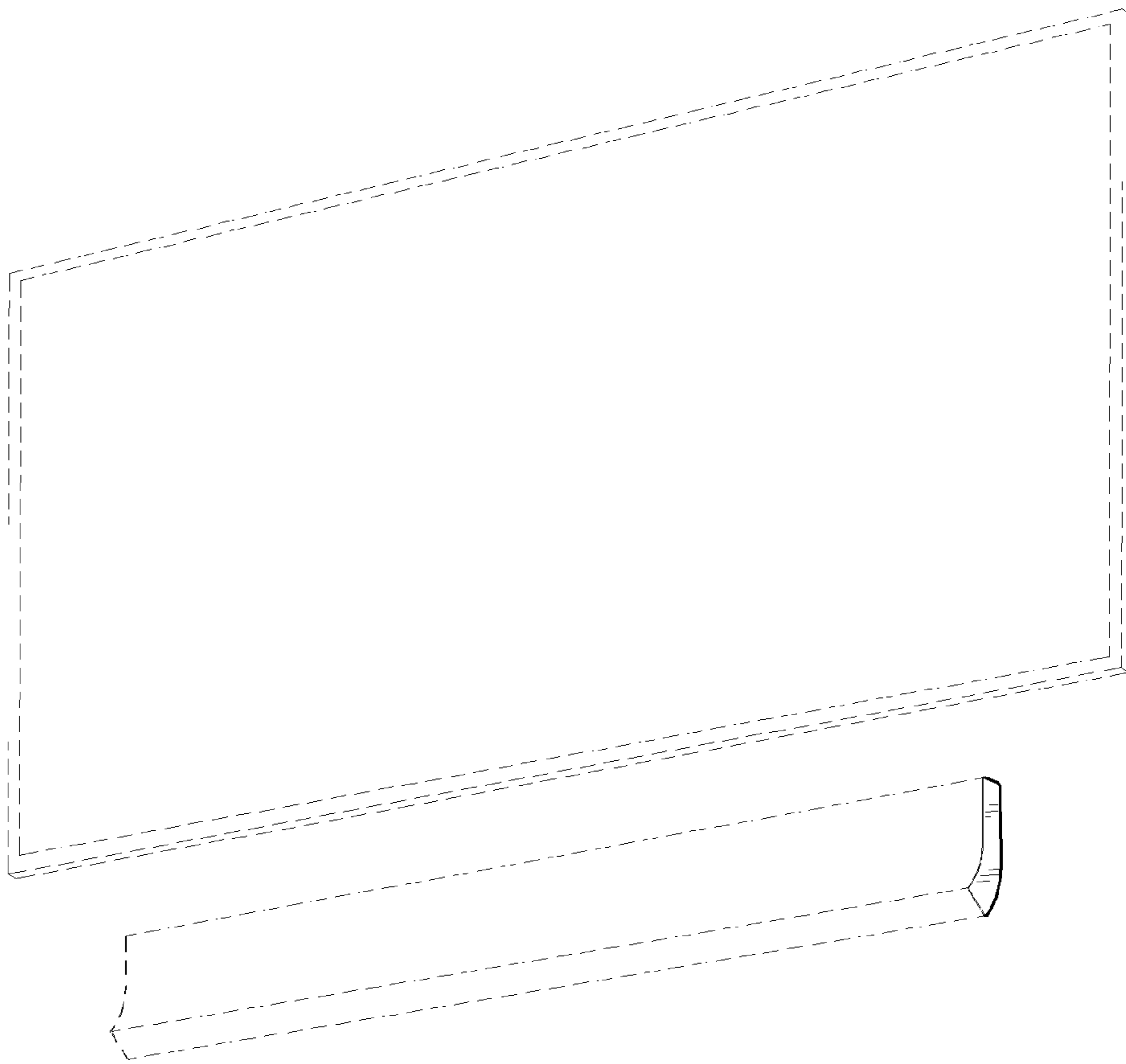


FIG. 9

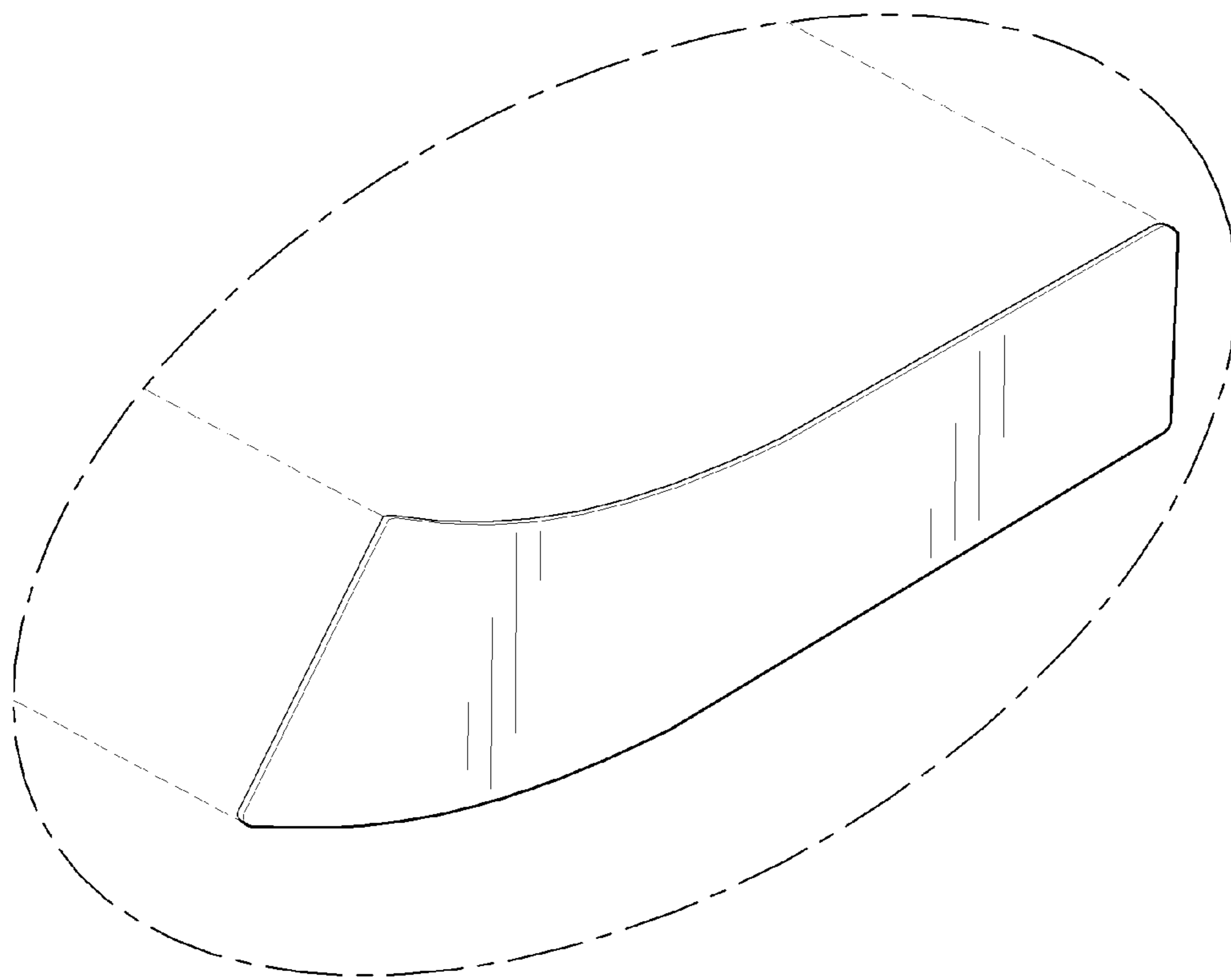


FIG. 10

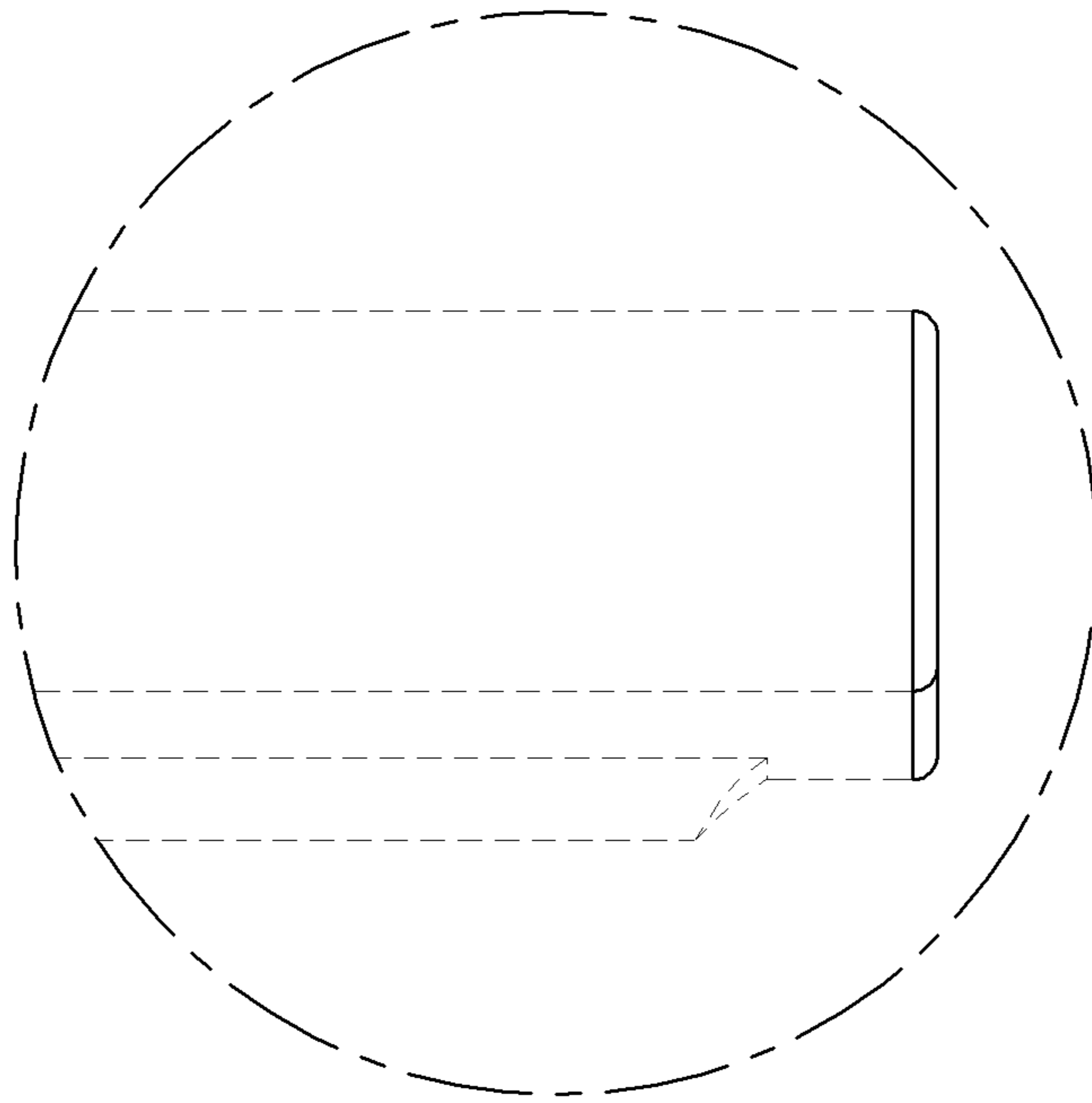


FIG. 11

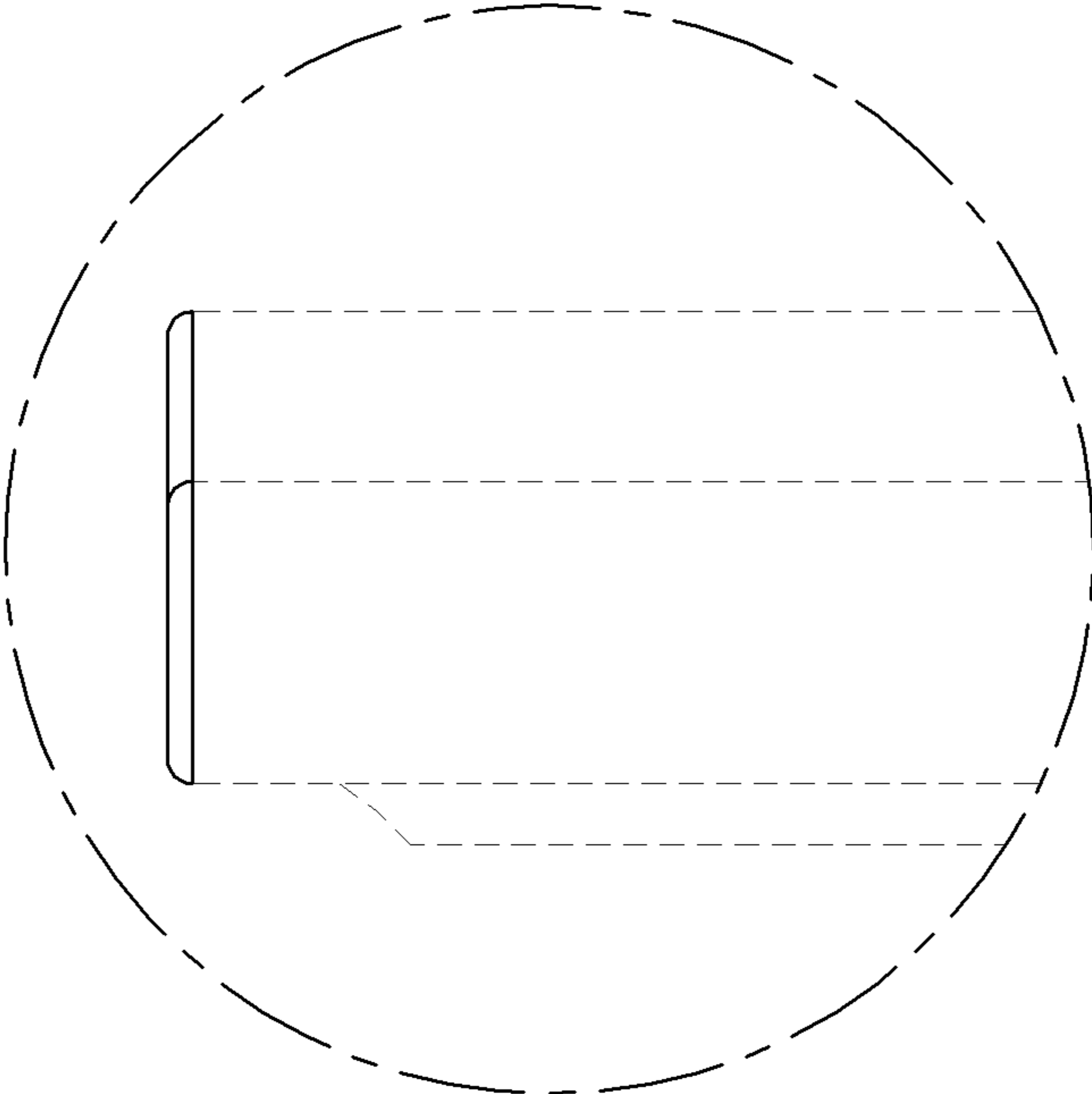


FIG. 12

